

PGI 19-517/00

Overall network

Overall network

Interior CAN	
A98n1	Panoramic sliding sunroof control unit
A98/1	Sliding roof control module
M40	Multicontour seat pneumatic pump
N10/6	Front SAM control unit
N10/8	Rear SAM control unit
N22/1	Climate control control unit
N26/9	Special-purpose vehicle multifunction control unit
N28/1	Trailer recognition control unit
N32/1	Driver seat control unit
N32/2	Front passenger seat control unit
N32/15	Left front multicontour seat control unit
N32/16	Right front multicontour seat control unit
N69/1	Left front door control unit
N69/2	Right front door control unit
N69/3	Left rear door control unit
N69/4	Right rear door control unit
N69/5	KEYLESS-GO control unit
N70	Overhead control panel control unit

N73	Electronic ignition lock control unit
N121	Trunk lid control unit
N121/1	Liftgate control unit
N162	Ambiance illumination control unit

LIN bus	
A6n1	Stationary heater control unit
A40/9	Audio/COMMAND operating unit
B38/2	Rain/light sensor with additional functions
N2/10	Supplemental restraint system control unit
N5	Armrest heater control unit
N22/4	Rear air conditioning operating unit
N25/4	Front passenger seat heater control unit
N25/5	Driver seat heater control unit

N25/17	Front seat heater control unit
N32/31	Left front backrest massage function control unit
N32/32	Right front backrest massage function control unit
N32/43	Left front seat cushion massage function control unit
N32/44	Right front seat cushion massage function control unit
N58/1	Climate control operating unit
N72/1	Upper control panel control unit
N72/4	Left lower control panel
N72/5	Right lower control panel
N110	Weight sensing system (WSS) control unit
N112/9	Emergency call system control unit

Vehicle dynamics CAN	
N2/10	Supplemental restraint system control unit
N30/4	Electronic Stability Program control unit

Engine CAN	
N3/9	CDI control unit (with diesel engine)
N3/10	ME-SFI control unit (with gasoline engine)
N127	Drivetrain control unit

Drivetrain CAN	
N118	Fuel system control unit
N127	Drivetrain control unit
Y3/8n4	Fully integrated transmission control unit

Radar CAN	
B92/2	Outer left front bumper radar sensor
B92/5	Outer right front bumper radar sensor
B92/7	Outer right rear bumper radar sensor
B92/10	Outer left rear bumper radar sensor
N62/4	Intelligent Drive control unit

**Diagnostic CAN**  
 N73 Electronic ignition lock control unit  
 N112/9 Emergency call system control unit

**User interface CAN**  
 A1 Instrument cluster  
 A26/17 Head unit  
 A40/12 Head-up display  
 A76 Left front reversible emergency tensioning retractor  
 A76/1 Right front reversible emergency tensioning retractor  
 B84/3 Reversing camera  
 N2/10 Supplemental restraint system control unit  
 N73 Electronic ignition lock control unit  
 N88 Tire pressure monitoring control unit

**Ethernet**  
 A26/17 Head unit

**Drivetrain sensor CAN**  
 N3/9 CDI control unit (with diesel engine)  
 N3/10 ME-SFI control unit (with gasoline engine)  
 N37/7 Control unit of NOx sensor downstream of diesel particulate filter  
 N37/8 Control unit of NOx sensor downstream of SCR catalytic converter  
 N74 Soot particulate sensor control unit  
 N118/5 AdBlue® control unit

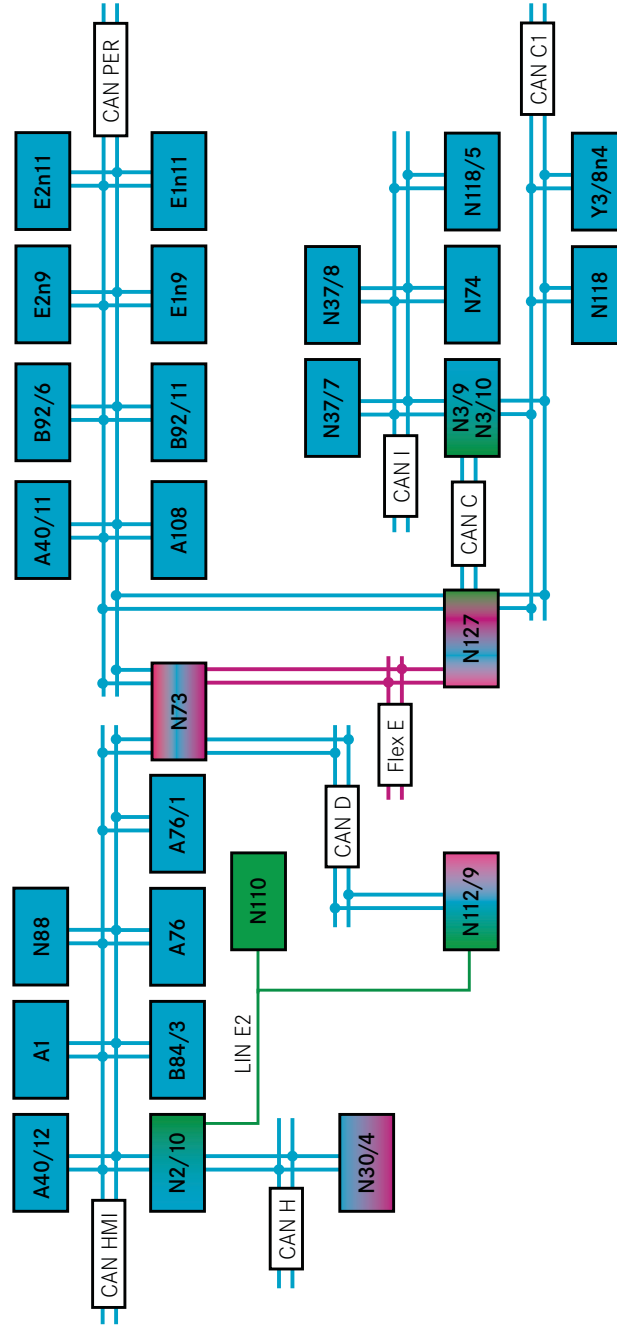
**Telematics CAN**  
 A26/17 Head unit  
 A40/8 Audio/COMMAND display  
 A40/9 Audio/COMMAND operating unit  
 A105 Touchpad  
 N123/8 Mobile phone cradle control unit

**Periphery CAN**  
 A40/11 Mono multifunction camera  
 A108 Active Brake Assist controller unit  
 B92/6 Outer right rear bumper integrated radar sensor  
 B92/11 Outer left rear bumper integrated radar sensor  
 E1n9 Left headlamp control unit  
 E1n11 Left front LED matrix lamp unit control unit  
 E2n9 Right headlamp control unit  
 E2n11 Right front LED matrix lamp unit control unit

**MOST ring**  
 A26/17 Head unit  
 A90/4 Tuner unit  
 N40/3 Sound system amplifier control unit (with code 810)  
 N40/7 Advanced sound system amplifier control unit (with code 811)  
 N143 TV tuner control unit

**Chassis FlexRay**  
 A40/13 Stereo multifunction camera  
 A108/1 DISTRONIC Distance-Pilot controller unit  
 B92/12 Radar sensor, short and long range  
 N30/4 Electronic Stability Program control unit  
 N51/3 AIR BODY CONTROL control unit  
 N51/8 AIR BODY CONTROL Plus control unit  
 N62 Parking system control unit  
 N62/4 Intelligent Drive control unit  
 N68 Electric power steering control unit  
 N73 Electronic ignition lock control unit  
 N80 Steering column tube module control unit  
 N127 Drivetrain control unit

Block diagram



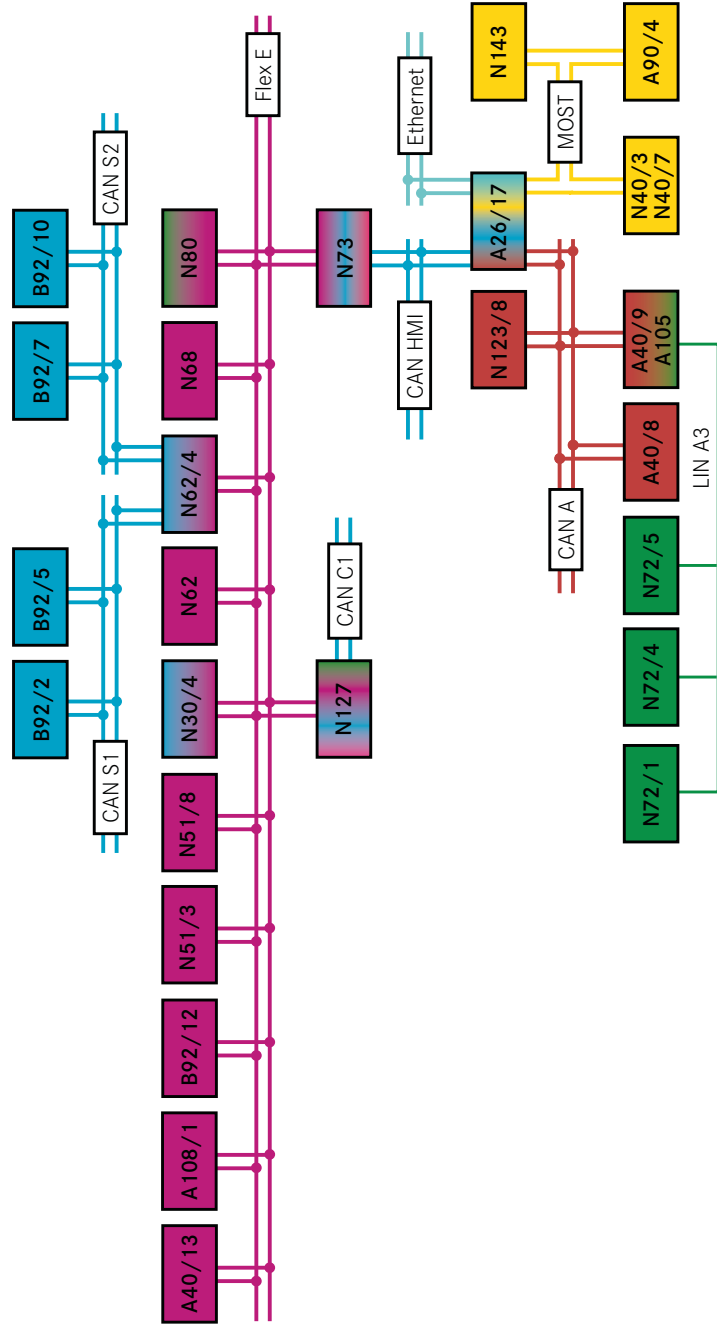
PO019-5718-00

**Block diagram of overall network**

A1	Instrument cluster
A40/11	Mono multifunction camera (with code 513 (Traffic Sign Assist) or code 22P (Lane package) or code P35 (Light package) and except code 23P (Driving assistance package Plus))
A40/12	Head-up display (with code 463 (Head-up display))
A76	Left front reversible emergency tensioning retractor
A76/1	Right front reversible emergency tensioning retractor
A108	Active Brake Assist controller unit (with code 258 (COLLISION PREVENTION ASSIST))
B84/3	Reversing camera (with code 218 (Reversing camera))
B92/6	Outer right rear bumper integrated radar sensor (with code 22P (Lane package))
B92/11	Outer left rear bumper integrated radar sensor (with code 22P (Lane package))
E1n9	Left headlamp control unit (with code 631 (Static LED headlamps, left-hand traffic) or code 632 (Static LED headlamps, right-hand traffic) or code P35 (Light package))
E1n11	Left front LED matrix lamp unit control unit (with code P35 (Light package))
E2n9	Right headlamp control unit (with code 631 (Static LED headlamps, left-hand traffic) or code 632 (Static LED headlamps, right-hand traffic) or code P35 (Light package))
E2n11	Right front LED matrix lamp unit control unit (with code P35 (Light package))
N2/10	Supplemental restraint system control unit
N3/9	CDI control unit (diesel engine)
N3/10	ME-SFI control unit (gasoline engine)
N30/4	Electronic Stability Program control unit

N37/7	NOx sensor control unit downstream of diesel particulate filter (engine 642, 654 with code U77 (BLUETEC diesel exhaust treatment (SCR)))
N37/8	NOx sensor control unit downstream of SCR catalytic converter (engine 642, 654 with code U77 (BLUETEC diesel exhaust treatment (SCR)))
N73	Electronic ignition lock control unit
N74	Soot particulate sensor control unit (engine 654)
N88	Tire pressure monitor control unit (with code 475 (Tire pressure monitor))
N110	Weight Sensing System (WSS) control unit (with code U10 (Automatic front passenger airbag shutoff))
N112/9	Emergency call system control unit
N118	Fuel system control unit
N118/5	AdBlue® control unit (with code U77 (BLUETEC diesel exhaust treatment (SCR)) or code U79 (BLUETEC diesel exhaust treatment (SCR), 3rd generation))
N127	Drivetrain control unit
Y3/8n4	Fully integrated transmission control unit
CAN C	Engine CAN
CAN C1	Drivetrain CAN
CAN D	Diagnostic CAN
CAN H	Vehicle dynamics CAN
CAN HMI	User interface CAN
CAN I	Drivetrain sensor CAN
CAN PER	Periphery CAN
Flex E	Chassis FlexRay
LIN E2	Seat occupied LIN

Block diagram

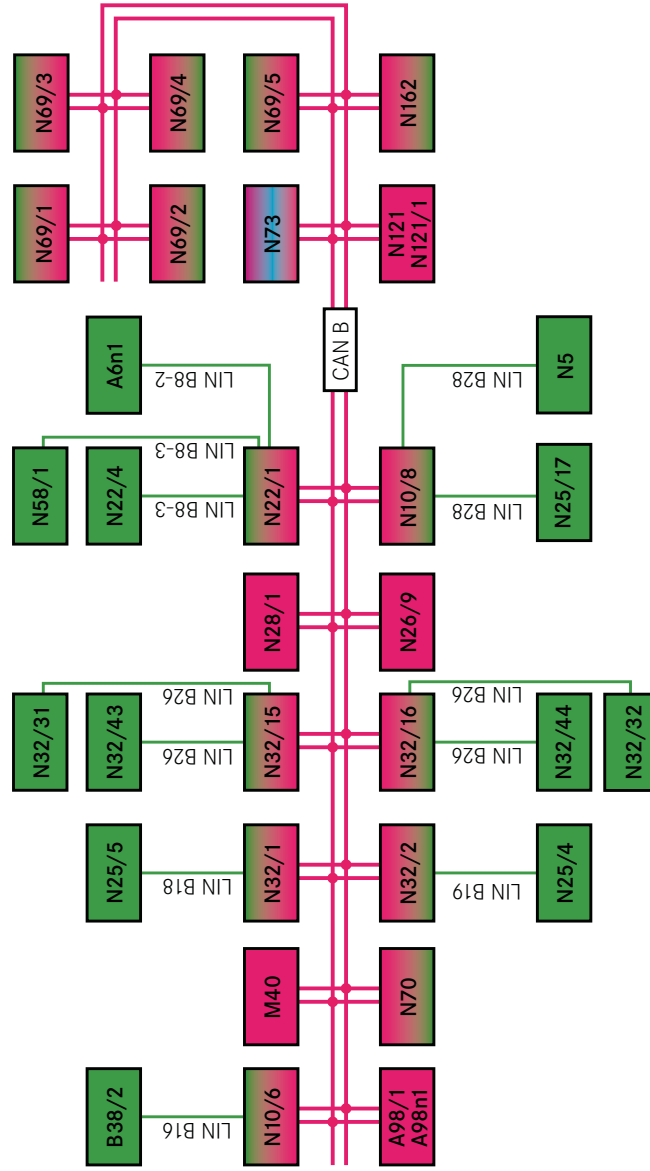


PO018-5721-00

**Block diagram of overall network**

A26/17	Head unit
A40/8	Audio/COMAND display
A40/9	Audio/COMAND operating unit
A40/13	Stereo multifunction camera (with code 23P (Driving assistance package Plus))
A90/4	Tuner unit (with code 536 (SIRIUS satellite radio) or code 537 (Digital radio (DAB)))
A105	Touchpad (with code 448 (Touchpad))
A108/1	DISTRONIC Distance-Pilot controller unit (with code 239 (DISTRONIC PLUS))
B92/2	Outer left front bumper radar sensor (with code 23P (Driving assistance package Plus))
B92/5	Outer right front bumper radar sensor (with code 23P (Driving assistance package Plus))
B92/7	Outer right rear bumper radar sensor (with code 23P (Driving assistance package Plus))
B92/10	Outer left rear bumper radar sensor (with code 23P (Driving assistance package Plus))
B92/12	Radar sensor, short and long range (with code 23P (Driving assistance package Plus))
N30/4	Electronic Stability Program control unit
N40/3	Sound system amplifier control unit (with code 810 (Sound system))
N40/7	Advanced sound system amplifier control unit (with code 811 (Advanced sound system))
N51/3	AIR BODY CONTROL control unit (with code 489 (AIR BODY CONTROL))
N51/8	AIR BODY CONTROL Plus control unit (with code 489 (AIR BODY CONTROL))
N62	Parking system control unit (with code 235 (Active Park Assist with PARKTRONIC) or code P44 (Parking package))

N62/4	Intelligent Drive control unit (with code 23P (Driving assistance package Plus))
N68	Electric power steering control unit
N72/1	Upper control panel control unit
N72/4	Left lower control panel
N72/5	Right lower control panel
N73	Electronic ignition lock control unit
N80	Steering column tube module control unit
N123/8	Mobile phone cradle control unit (with code 896 (Vehicle access and drive authorization via mobile phone) or code 897 (Wireless mobile phone charging))
N127	Drivetrain control unit
N143	TV tuner control unit (with code 531 (COMAND APS) and code 865 (TV tuner))
CAN A	Telematics CAN
CAN C1	Drivetrain CAN
CAN HMI	User interface CAN
CAN S1	Front radar CAN (with code 23P (Driving assistance package Plus))
CAN S2	Rear radar CAN (with code 23P (Driving assistance package Plus))
Ethernet	Ethernet
Flex E	Chassis FlexRay
MOST	Media Oriented System Transport
LIN A3	LCP LIN



PO018-572Z-00



Block diagram of overall network	
A6n1	Stationary heater control unit (with code 228 (Stationary heater))
A98n1	Panoramic sliding sunroof control unit (with code 413 (Panoramic sliding sunroof))
A98/1	Sliding roof control module (with code 414 (Sliding roof))
B38/2	Rain/light sensor with additional functions
M40	Multicontour seat pneumatic pump (with code 432 (Left and right dynamic multicontour seat) or code 406 (Multicontour seats in rear))
N5	Armrest heater control unit (with code 906 (Front armrest heater) or code 907 (Rear armrest heater))
N10/6	Front SAM control unit
N10/8	Rear SAM control unit
N22/1	Climate control unit
N22/4	Rear air conditioning operating unit (with code 581 (Automatic air conditioning))
N25/4	Front passenger seat heater control unit (with code 902 (Seat heater Plus for driver and front passenger))
N25/5	Driver seat heater control unit (with code 902 (Seat heater Plus for driver and front passenger))
N25/17	Front seat heater control unit (with code 401 (Seat climate control for driver and front passenger) or code 873 (Seat heater for driver and front passenger), except code 221 (Left electrically adjustable driver seat), code 222 (Right electrically adjustable front seat) and except code 275 (Memory package))
N26/9	Special-purpose vehicle multifunction control unit (with code 965 (Taxi/rental car preinstallation))
N28/1	Trailer recognition control unit (with code 550 (Trailer hitch))
N32/1	Driver seat control unit (with code 221 (Electrically adjustable left driver seat) or code 275 (Memory package))
N32/2	Front passenger seat control unit (with code 222 (Electrically adjustable right front seat) or code 275 (Memory package))
N32/15	Left front multicontour seat control unit (with code 432 (Left and right dynamic multicontour seat))
N32/16	Right front multicontour seat control unit (with code 432 (Left and right dynamic multicontour seat))
N32/31	Left front backrest massage function control unit (with code 432 (Left and right dynamic multicontour seat))
N32/32	Right front backrest massage function control unit (with code 432 (Left and right dynamic multicontour seat))
N32/43	Left front seat cushion massage function control unit (with code 432 (Left and right dynamic multicontour seat))
N32/44	Right front seat cushion massage function control unit (with code 432 (Left and right dynamic multicontour seat))
N58/1	Climate control operating unit
N69/1	Left front door control unit
N69/2	Right front door control unit
N69/3	Left rear door control unit
N69/4	Right rear door control unit
N69/5	KEYLESS-GO control unit
N70	Overhead control panel control unit
N73	Electronic ignition lock control unit
N121	Trunk lid control unit (with code 881 (Remote trunk closing))
N121/1	Liftgate control unit (with code 890 (EASY-PACK liftgate))

**Block diagram of overall network**

N162    Ambiance illumination control unit (with code 877 (Ambiance illumination))  
CAN B    Interior CAN  
LIN B8-2    Climate control LIN 2  
LIN B8-3    Climate control LIN  
LIN B16    Rain/light sensor LIN  
LIN B18    Driver seat LIN  
LIN B19    Front passenger seat LIN  
LIN B26    Massage component LIN  
LIN B28    Heater LIN