

## Vehicle views

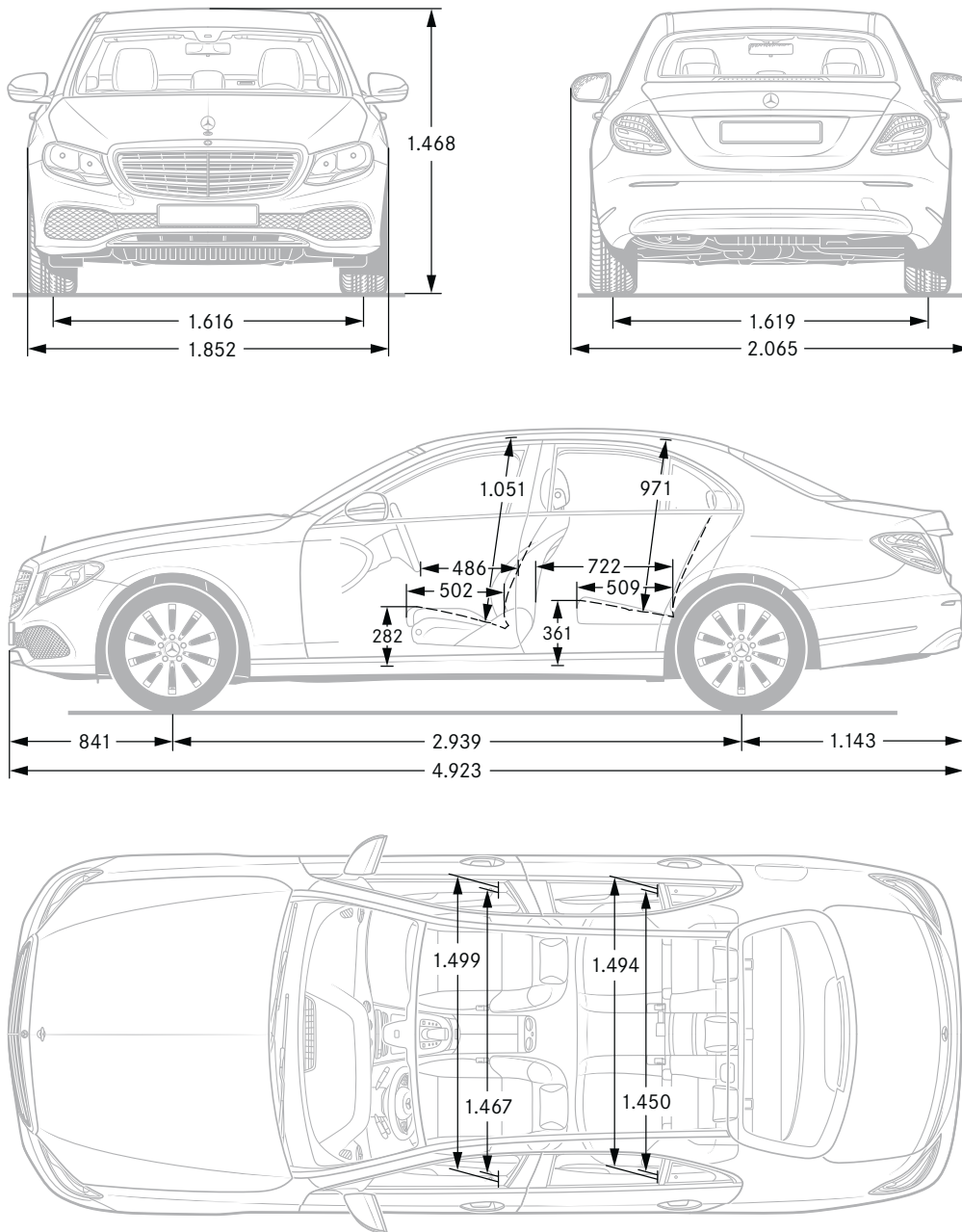
### Side view

The proportions of the new E-Class have been improved with a longer front end, enlarged wheelbase and reduced rear overhang. Firm and sporty-yet-stylish swage lines give the body of the vehicle a stretched presence. The coupe-like roof line and downward-sloping rear end silhouette lend the vehicle a stylish character. At the bottom of the doors and bumpers, contours double back against the direction of travel to provide a dynamic transition to the rear end.



P00.00-5520-00

Side view



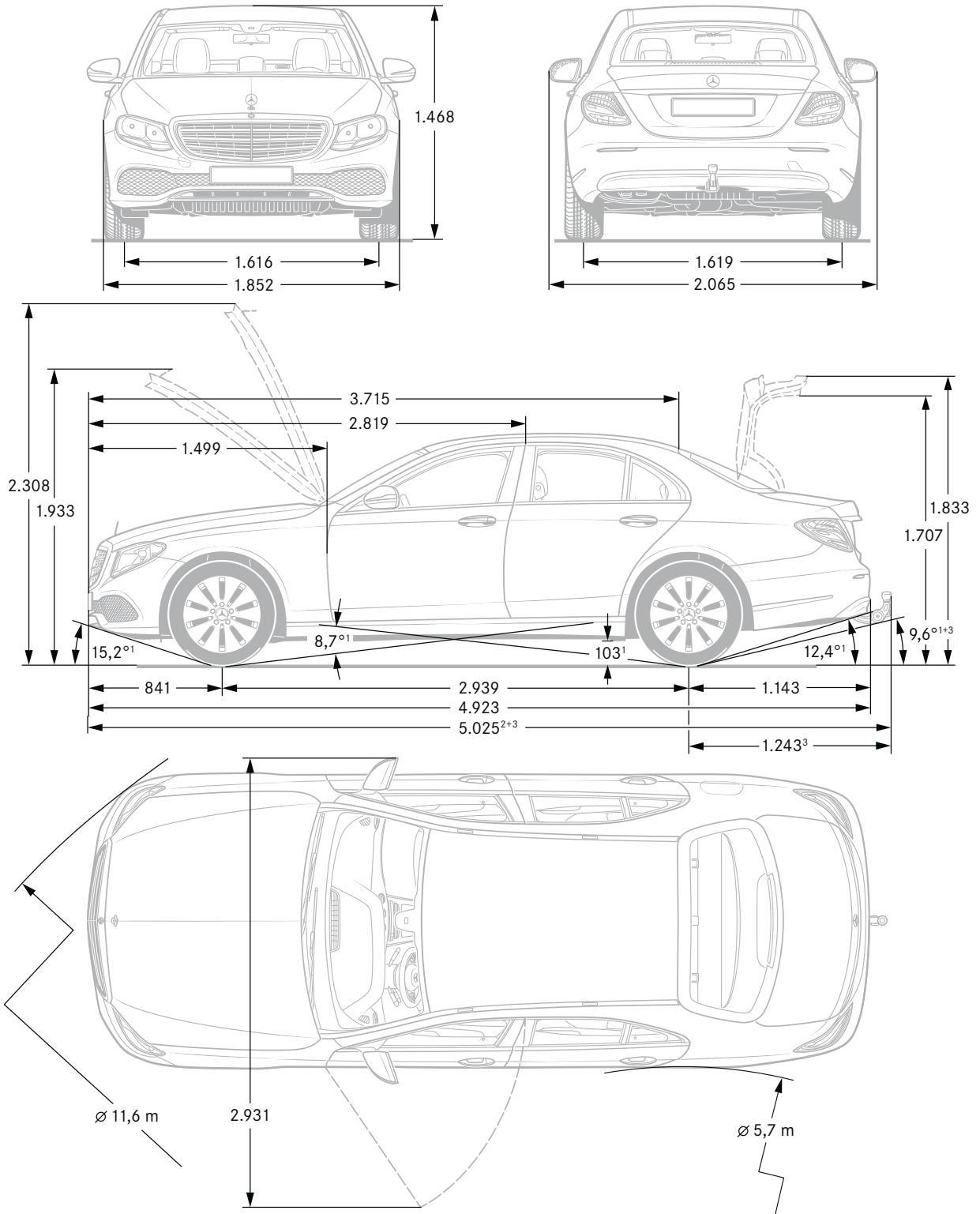
**Vehicle dimensions**

Dimensions under no load

Vehicle length without license plate adapter (2 mm)

P00.10-5955-00

## Dimensions



P00.10-5956-00

### Vehicle dimensions

Dimensions under no load

- 1 At permissible gross vehicle weight
- 2 Incl. license plate adapter (2 mm)
- 3 With trailer hitch incl. protective cap (special equipment)

Comparison of model series 212 with model series 213

Dimensions and weights	Unit	212 Sedan (facelift)	213 Sedan	Difference
Vehicle length	mm	4880	4923	+43
Vehicle width with outside mirrors folded out	mm	2071	2065	-6
Vehicle width with outside mirrors folded in	mm	1941	1872	-69
Vehicle height	mm	1471	1468	-3
Wheelbase	mm	2874	2939	+65
Front overhang	mm	850	841	-9
Rear overhang	mm	1156	1143	-13
Front track width	mm	1600	1620	+20
Rear track width	mm	1619	1626	+7
Curb weight as per EC Directive <sup>1</sup>	kg	1685	1605	-80
Permissible gross vehicle weight <sup>1</sup>	kg	2345	2320	-25
Max. payload as per EC Directive <sup>1</sup>	kg	660	715	+55
Max. seating capacity		5	5	0
Trunk capacity	l	540	540	0
Turning circle	m	11.29	11.65	+0.36
Tank capacity	l	59	50	-9
Coefficient of drag	C <sub>d</sub>	0.25	0.23	-0.02

<sup>1</sup> Based on OM651 (212 facelift) and OM654 (213)