



designo Black/Titanium Grey Pearl (P62)





designo Macchiato Beige/Saddle Brown (P87)





Panorama Sunroof (413)



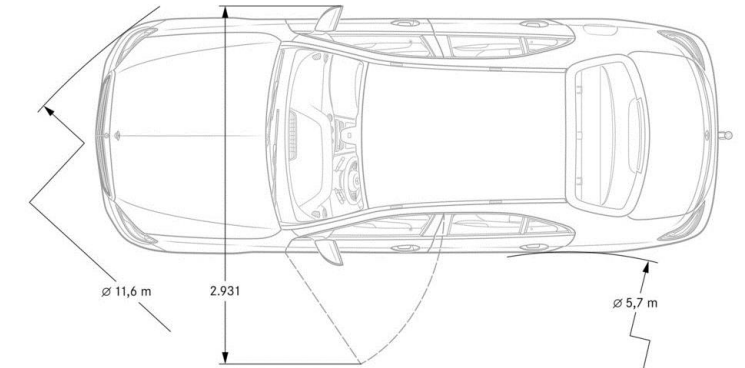
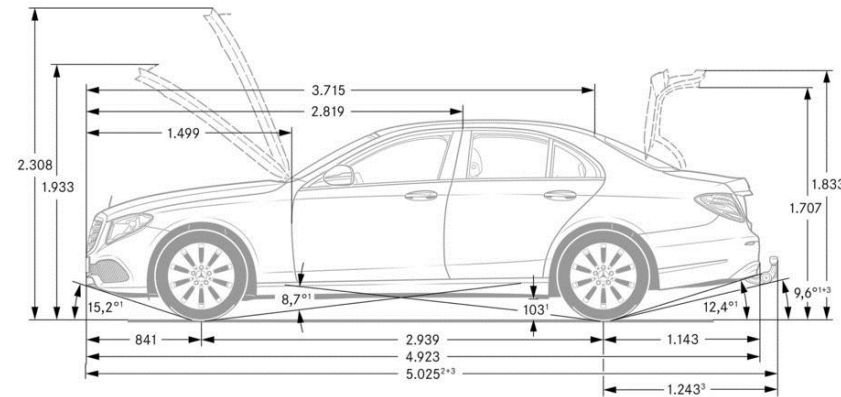
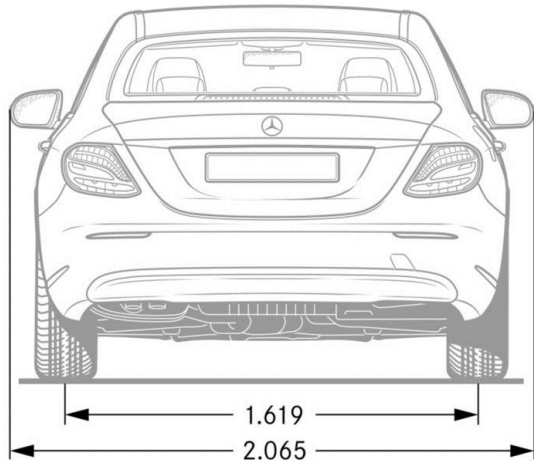
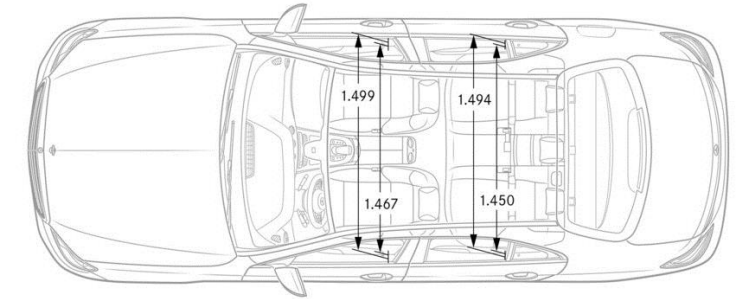
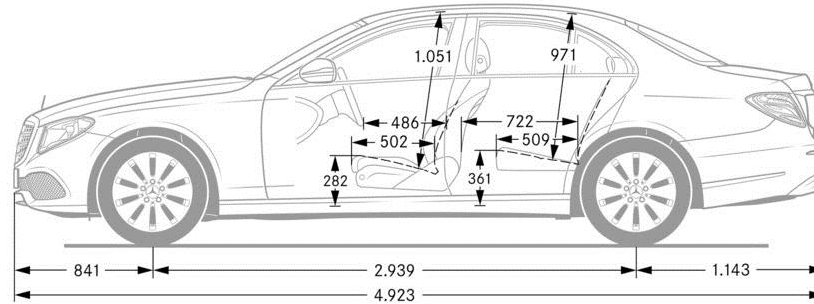
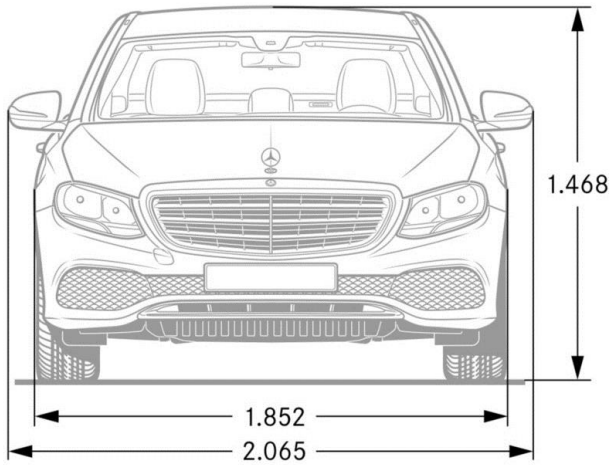
Panorama roof (413)
Option Price: \$1,000





| | <i>E 300</i> | <i>E 300 4MATIC</i> | <i>E 450 4MATIC</i> |
|---|--|--|--|
| Engine Configuration | 2.0L inline-4 turbo engine | 2.0L inline-4 turbo engine | 3.0L V6 biturbo engine |
| ICE Power (hp) | 241 | 241 | 362 |
| Torque (lb-ft) | 273 | 273 | 369 |
| Displacement (cc) | 1,991 | 1,991 | 2,996 |
| Acceleration 0-60 mph (sec) | 6.2 | 6.3 | 5.3 |
| Fuel Economy (Cty/Hwy/Comb) | tbd | tbd | tbd |
| Top Speed (mph) | 130 | 130 | 130 |
| Fuel Requirement (Octane) | 91 | 91 | 91 |
| # Valves per cylinder | 4 | 4 | 4 |
| Compression | 9.8:1 | 9.8:1 | 10.5:1 |
| Transmission | 9G-TRONIC 9-Speed Automatic Transmission | 9G-TRONIC 9-Speed Automatic Transmission | 9G-TRONIC 9-Speed Automatic Transmission |
| Transmission Speeds | 9 | 9 | 9 |
| Drive Configuration | Rear-wheel drive | All-wheel drive | All-wheel drive |
| Fuel Tank Size (gallons) | 17.4 | 17.4 | 21.1 |
| Trunk Size (cubic feet) | 13.1 | 13.1 | 13.1 |
| Curb Weight (lbs) | tbd | tbd | tbd |
| Vehicle Length (in.) | 193.8 | 193.8 | 193.8 |
| Vehicle Width w/ exterior mirrors (in.) | 81.3 | 81.3 | 81.3 |
| Vehicle Height (in.) | 58.4 (Luxury Styling)/57.8 | 58.4 (Luxury Styling)/57.8 | 58.4 (Luxury Styling)/57.8 |
| Wheelbase (in.) | 115.7 | 115.7 | 115.7 |
| Track Width Front/Rear (in.) | tbd | tbd | tbd |

Specifications* – E 300/4MATIC & E 450 4MATIC (Luxury Styling)



AMG E-Class Sedan



W213

Model Year 2019

Subject to Change

AMG
DRIVING PERFORMANCE

AMG E 53/ E 63 S



Models



What's new?



Standard Equipment



Exterior Paint Colors



Wheels



Interior Upholstery



Interior Trims



Option Packages



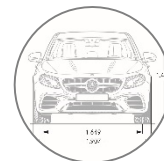
Stand-Alone Options



Options in Detail



Specifications



Specifications



AMG E53 (213.061)

- MSRP \$tbd
- AMG-enhanced 3.0L inline-6 turbo engine with EQ Boost
- 429 hp
- 384 lb-ft
- EQ Boost Starter-Alternator outputs 21 hp
- 4.4 sec (est. 0-60 mph)
- Launch date: Q3 2018



AMG E63 S (213.089)

- MSRP \$tbd
- Handcrafted AMG 4.0L V8 biturbo engine
- 603 hp
- 627 lb-ft
- 3.3 sec (est. 0-60 mph)
- Launch date: Q3 2018

Exterior

- New exhaust tailpipe design with round tips (*E 53 only*)
- Hood with double powerdomes (*E 53 only*)

Interior

- New generation AMG Performance steering wheel with touch buttons
- Brown Ash wood trim w/ matching center console
- *designo* Magnolia Flowing Lines wood trim discontinued
- Introduction of Rear Safety Package
- AMG Nappa/Black Piano Lacquer Performance Steering Wheel as a standalone option
- AMG Performance Seats now available on the E 53
- Heated steering wheel becomes available

Standard Equipment

- AMG-enhanced 3.0L Inline Turbo Engine (429 hp, 384 lb-ft torque, *E 53 only*)
- EQ Boost Starter-Alternator (21 hp, 184 lb-ft torque, *E 53 only*)
- AMG Performance 4MATIC+ fully variable AWD system (*updated on E 53 only*)
- Surround View System as standard (*E 63 S only*)
- Omission of Active Parking Assist from standard equipment (*E 53 only*)
- Omission of AMG Illuminated Door Sills from standard equipment (*E 53 only*)

Optional Equipment

- AMG Performance Exhaust System now available on the E 53
- AMG Nappa/DINAMICA Performance Steering Wheel (Std. on E 63 S)
- AMG Nappa/Piano Lacquer Performance Steering Wheel
- Heated Steering Wheel in Warmth & Comfort Package or a standalone option
- AMG Illuminated Door Sills as a standalone option (*E 53 only*)
- Advanced Parking Assist Package with Active Parking Assist and Surround View System (*E 53 only*)
- New Packaging strategy
- Head-up Display becomes a standalone option
- Enhanced Safety Systems included within Driver Assistance Package
 - Route-Based Speed Adaptation
- New 20" AMG wheel designs (*E 53 only*)

2018 E43 vs. 2019 E53



AMG enhanced 3.0L Inline-6 Turbo Engine w/ EQ Boost Technology



AMG enhanced 3.0L Inline-6 Turbo Engine w/ EQ Boost Technology

Systematically electrified for an outstanding driving experience – the Integrated Starter-Generator boosts and recovers energy, while supplying additional power. The inline six-cylinder engine is both smooth and powerful even on its own – with impressive fuel consumption.

- Systematically lightweight design with reduced friction
- Sophisticated acoustic cladding for quieter operation
- Fully beltless engine
- Incredibly efficient design with impressive acceleration and power
- Twin-scroll turbocharger
- Engine mounts reduce vibration
- Petrol particulate filter reduces minute soot particles significantly below even the most stringent limits
- Electric A/C compressor and water pump
- 48V lithium-ion battery with a capacity of almost 1kWh
 - Able to start the engine and charge the 12V battery
 - Supplies additional torque and horsepower at a range of RPMs and with limited to no lag in power delivery
- Extended coasting or 'sailing' while in ECO mode
- Electric Auxiliary Compressor (eAC) minimizes lag and increases response

Performance & Handling

- AMG-enhanced 3.0L I6 Turbo engine (*E 53 only*)
- EQ Boost Starter-Alternator (*E 53 only*)
- Handcrafted AMG 4.0L V8 Biturbo engine (*E 63 S only*)
- AMG SPEEDSHIFT 9G TCT (Torque Converter Transmission) (*E 53 only*)
- AMG SPEEDSHIFT® MCT 9-speed transmission (*E 63 S only*)
- AMG Performance 4MATIC+ (*E 53 only*)
- AMG Performance 4MATIC+ w/ Drift Mode (*E 63 S only*)
- AMG Sport Suspension based on AIR BODY CONTROL
- 19" AMG Wheels (*E 53 only*) / 20" AMG wheels (*E 63 S*)
- AMG DYNAMIC SELECT
- Dynamic engine mounts (*E 63 S only*)
- Differential, AMG electronic limited-slip (*E 63 S only*)
- AMG exhaust with single exhaust flap (*E 63 S only*)

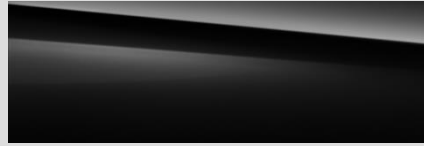
Comfort & Convenience

- 64-color Ambient lighting
- Bluetooth® connectivity
- COMAND® navigation
- LED headlamps and taillamps
- Power front seats w/ 3-position memory and 4-way power driver's lumbar support
- Power tilt/sliding sunroof
- Smartphone Integration with Apple CarPlay™ & Android Auto
- 40/20/40-split folding rear seats
- AMG Performance steering wheel with Touch Control Buttons
- Touchpad w/ central controller
- Mercedes me connect
- Active Parking Assist (*E 63 S*)
- SiriusXM® All-Access w/ trial period
- KEYLESS-START
- Comfort Package
- KEYLESS-GO® with HANDS-FREE ACCESS
- Electronic trunk closer
- IWC "Ingenieur" analog clock
- Heated and ventilated front seats (*E 63 S*)
- AMG Nappa leather upholstery (*E 63 S only*)
- Inductive Wireless Charging w/ NFC Pairing
- AMG Track Pace App (*E 63 S*)

Safety & Security

- Active Brake Assist
- ATTENTION ASSIST®
- Car-to-X Communication
- Crosswind Assist
- LED headlamps and taillamps
- PRE-SAFE®
- PRE-SAFE® Sound
- Tire Pressure Monitoring System (TPMS)
- Blind Spot Assist
- Rearview Camera (*E 53 only*)
- Surround View System (*E 63 S*)

Non-metallic Paints

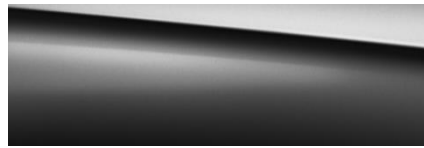


040
Black
Option price: \$0

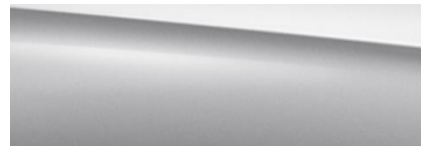


149
Polar White
Option price: \$0

Metallic Paints



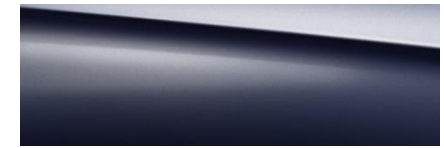
197
Obsidian Black
Option price: \$720



775
Iridium Silver
Option price: \$720



992
Selenite Grey
Option price: \$720



890
Lunar Blue
Option price: \$720

designo[®] Paints



996
Cardinal Red
Option price: \$1,080



799
Diamond White
Option price: \$1,515



297
Selenite Grey Magno
Option price: \$3,950



RTE

19" AMG Twin 5-Spoke Wheels
w/ Black Accents

R02, R66

Option price: \$0

E53 Only

RTN

20" AMG Twin 5-Spoke Wheels
w/ Grey Accents

R01, R66

Option price: \$750

E53 Only

RTO

20" AMG Twin 5-Spoke Wheels
w/ Black Accents

R01, R66

Option price: \$750

E53 Only

RVQ

20" AMG Multi-Spoke Wheels
w/ Grey Accents

R01, R66

Option price: \$750

E53 Only

RVR

20" AMG Multi-Spoke Wheels
w/ Black Accents

R01, R66

Option price: \$750

E53 Only



RTY

20" AMG Twin 5-Spoke Wheels
R01

Option price: \$tbd

E53 Only



RTZ

20" AMG Twin 5-Spoke Wheels
w/ Black Accents, R01

Option price: \$tbd

E53 Only



RTM

20" AMG Twin 5-Spoke Wheels
w/ Grey Accents

R01, B51

Option price: \$0

E63 S Only

RTQ

20" AMG Twin 5-Spoke Wheels
w/ Matte Grey Accents

R01, B51

Option price: \$0

E63 S Only

RTP

20" AMG Twin 5-Spoke Wheels
w/ Black Accents

R01, B51

Option price: \$0

E63 S Only

RTR

20" AMG Forged Cross-Spoke
Wheels w/ Grey Accents

R01, B51

Option price: \$1,200

E63 S Only

RTS

20" AMG Forged Cross-Spoke
Wheels, Matte Black

R01, B51

Option price: \$1,700

E63 S Only

| <i>Code</i> | <i>Wheel Size</i> | <i>Description</i> | <i>Wheel Dimensions</i> | | <i>Mobility</i> | <i>MSRP</i> |
|-------------|-------------------|---|--|-------------------|-----------------|-------------|
| RTE | 19" | AMG Twin 5-Spoke Wheels w/ Black Accents | 245/40 R 19 on 8 J x 19 ET 20 275/35 R 19 on 9 J x 19 ET 49 | (Front) (Rear) | R02, R66 | \$ 0 |
| RTN | 20" | AMG Twin 5-Spoke Wheels w/ Grey Accents | 245/35 ZR 20 on 8 J x 20H2 ET 20 275/30 ZR 20 on 9 J x 20H2 ET 49 | (Front) (Rear) | R01, R66 | \$ 750 |
| RTO | 20" | AMG Twin 5-Spoke Wheels w/ Black Accents | 245/35 ZR 20 on 8 J x 20H2 ET 20 275/30 ZR 20 on 9 J x 20H2 ET 49 | (Front) (Rear) | R01, R66 | \$ 750 |
| RVQ | 20" | AMG Multi-Spoke Wheels w/ Grey Accents | 245/35 R 20 on 8 J x 20 ET 43 275/30 R 20 on 9 J x 20 ET 49 | (Front) (Rear) | R01, R66 | \$ 750 |
| RVR | 20" | AMG Multi-Spoke Wheels w/ Black Accents | 245/35 R 20 on 8 J x 20 ET 43 275/30 R 20 on 9 J x 20 ET 49 | (Front) (Rear) | R01, R66 | \$ 750 |
| RTM | 20" | AMG Twin 5-Spoke Wheels w/ Grey Accents | 265/35 ZR20 on 9.5J x 20H2 ET25 295/30 ZR20 on 10.0J x 20H2 ET55 | (Front) (Rear) | R01, B51 | \$ 0 |
| RTQ | 20" | AMG Twin 5-Spoke Wheels w/ Matte Grey Accents | 265/35 ZR20 on 9.5J x 20H2 ET25 295/30 ZR20 on 10.0J x 20H2 ET55 | (Front) (Rear) | R01, B51 | \$ 0 |
| RTP | 20" | AMG Twin 5-Spoke Wheels w/ Black Accents | 265/35 ZR20 on 9.5J x 20H2 ET25 295/30 ZR20 on 10.0J x 20H2 ET55 | (Front) (Rear) | R01, B51 | \$ 0 |
| RTR | 20" | AMG Forged Cross-Spoke Wheels w/ Grey Accents | 265/35 ZR20 on 9.5J x 20H2 ET25 295/30 ZR20 on 10.0J x 20H2 ET55 | (Front) (Rear) | R01, B51 | \$ 1,200 |
| RTS | 20" | AMG Forged Cross-Spoke Wheels, Black | 265/35 ZR20 on 9.5J x 20H2 ET25 295/30 ZR20 on 10.0J x 20H2 ET55 | (Front) (Rear) | R01, B51 | \$ 1,700 |
| RTY | 20" | AMG Twin 5-Spoke Wheels | | | R01, R66 | \$ |
| RTZ | 20" | AMG Twin 5-Spoke Wheels w/ Black Accents | | | R01, R66 | \$ |



621

MB-TeX/DINAMICA – Black w/ Red Topstitching

Not available with Warmth & Comfort Package (445)
or Heated & Ventilated Front Seats (401)

Option price: \$0

E 53 Only

Interior Upholstery – AMG Nappa Leather



821
Black w/ Red Topstitching
Option price: \$2,990
E 53 Only



861
Black
Option price: \$2,990
E 53 Only



864
Nut Brown/Black
Option price: \$2,990
E 53 Only



865
Macchiato Beige/Black
Option price: \$2,990
E 53 Only

Interior Upholstery – Exclusive Nappa Leather



554
Nut Brown/Black
Option price: \$0
E63 S only

Image shows optional AMG Performance seats (555)

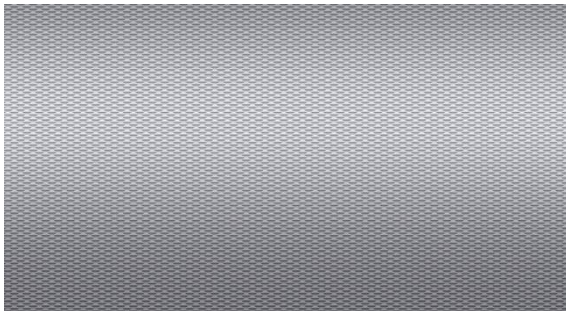


555
Macchiato Beige/Black
Option price: \$0
E63 S only



561
Black w/ Silver Topstitching
Option price: \$0
E63 S only
Image shows optional AMG Performance seats (555)

| <i>Code</i> | <i>Upholstery</i> | <i>Seats</i> | <i>Floor Mats</i> | <i>Upper Dash/Lower Dash</i> | <i>Seat Belts</i> | <i>Steering Wheel</i> | <i>Headliner</i> |
|-------------|---|-----------------|-------------------|------------------------------|-------------------|-----------------------|--------------------------|
| 621 | Black MB-Tex/DINAMICA w/ Red Topstitching | Black | Black | Black/Black | Red or Black | Black | Black |
| 821 | Black w/ Red Topstitching AMG Nappa Leather | Black | Black | Black/Black | Red or Black | Black | Black |
| 861 | Black AMG Nappa Leather | Black | Black | Black/Black | Black | Black | Black |
| 864 | Nut Brown/Black AMG Nappa Leather | Nut Brown | Black | Black/Nut Brown | Black | Black | Black |
| 865 | Macchiato Beige/Black Nappa Leather | Macchiato Beige | Black | Black/Macchiato Beige | Black | Black | Black |
| 554 | Nut Brown AMG Exclusive Nappa leather | Nut Brown | Black | Black/Nut Brown | Black | Black | Black |
| 555 | Macchiato Beige AMG Exclusive Nappa leather | Macchiato Beige | Black | Black/Macchiato Beige | Black | Black | Black or Macchiato Beige |
| 561 | Black w/ Silver Topstitching AMG Exclusive Nappa leather | Black | Black | Black/Black | Silver or Black | Black | Black |

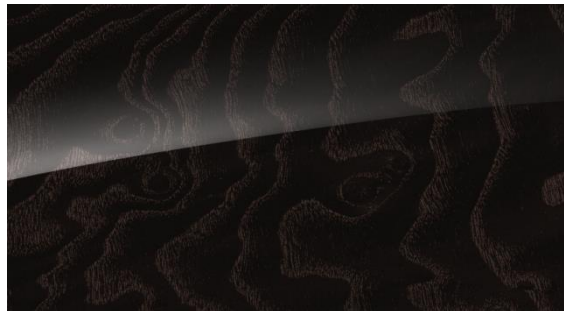


739

Trapeze Cut Aluminum trim

Option price: \$0

Includes Black Piano Lacquer Center Console (728)



H06

Brown ash wood trim

Option price: \$0

Includes Brown Ash Wood Center Console (656)

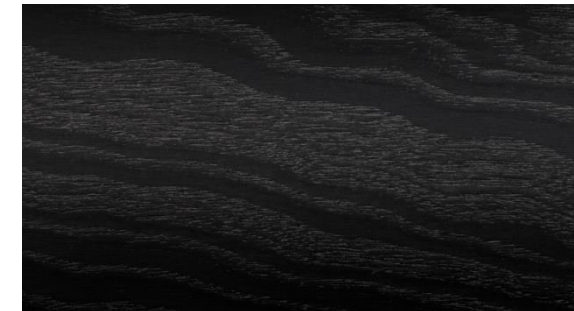


H09

Natural Grain Brown ash wood trim

Option price: \$0

Includes Natural Grain Brown Ash Wood Center Console (730)

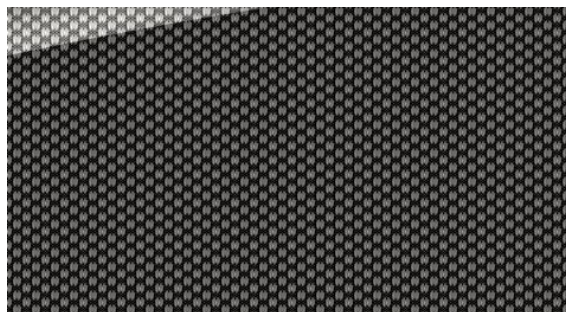


736

Natural Grain Black ash wood trim

Option price: \$0

Includes Natural Grain Black Ash Wood Center Console (737)

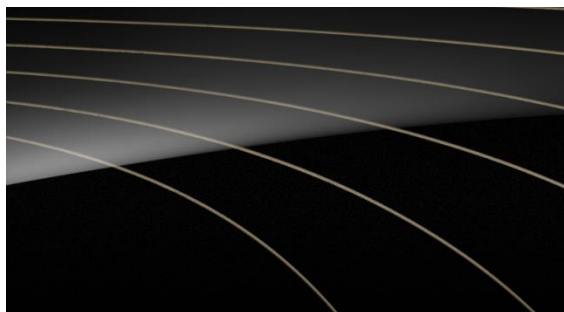


H64

Metal Weave trim

Option price: \$600

Includes Black Piano Lacquer Center Console (728)

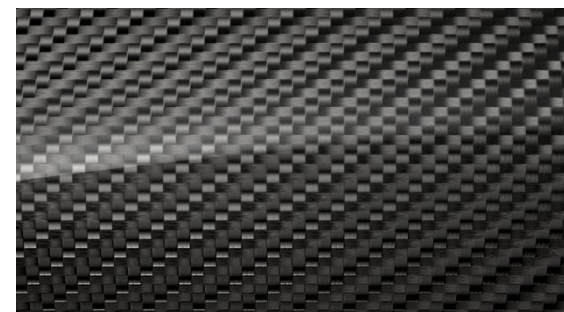


H16

designo Black Piano Lacquer Flowing lines wood trim

Option price: \$1,300

Includes Black Piano Lacquer Center Console (728)



H73

AMG Carbon Fiber trim

Option price: \$2,850

Includes AMG Carbon Fiber Center Console (732)