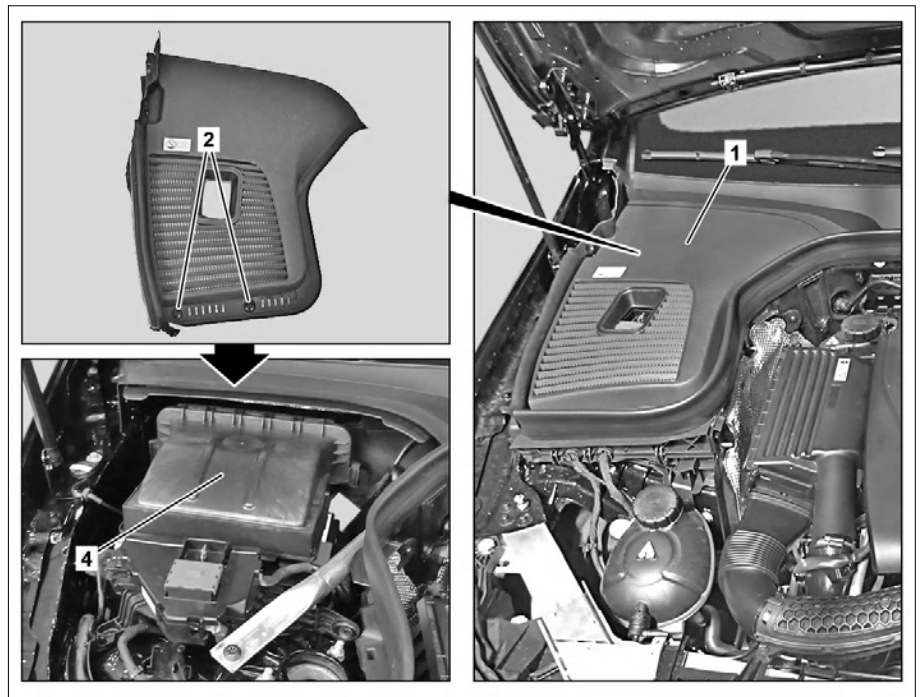


Model 213, 238, 253

Shown on model 253

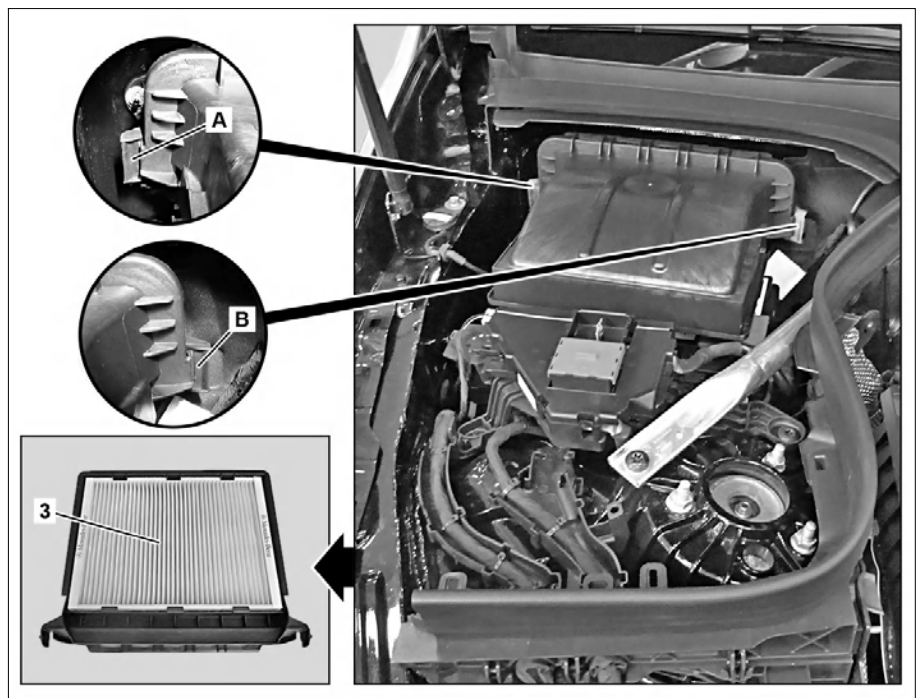
- 1 Right rear engine compartment paneling
- 2 Locks
- 4 Air duct segment



P83.00-2435-06

Shown on model 253

- 3 Dust filter
- A Bracket
- B Bracket



P83.00-2436-06

	Remove		
1	Release locks (2) and remove right rear engine compartment cover (1)		
2	Unhook bracket (A, B) from air duct segment (4) and remove air duct segment (4)		
3	Remove dust filter (3) from air duct segment (4)		
	Clean		
4	Clean inside of air duct segment (4)		
	Install		
5	Place new dust filter (3) into air duct segment (4)		

6	Install air duct segment (4) and hook bracket (A, B) into place		
7	Install right rear engine compartment cover (1) and close locks (2)		