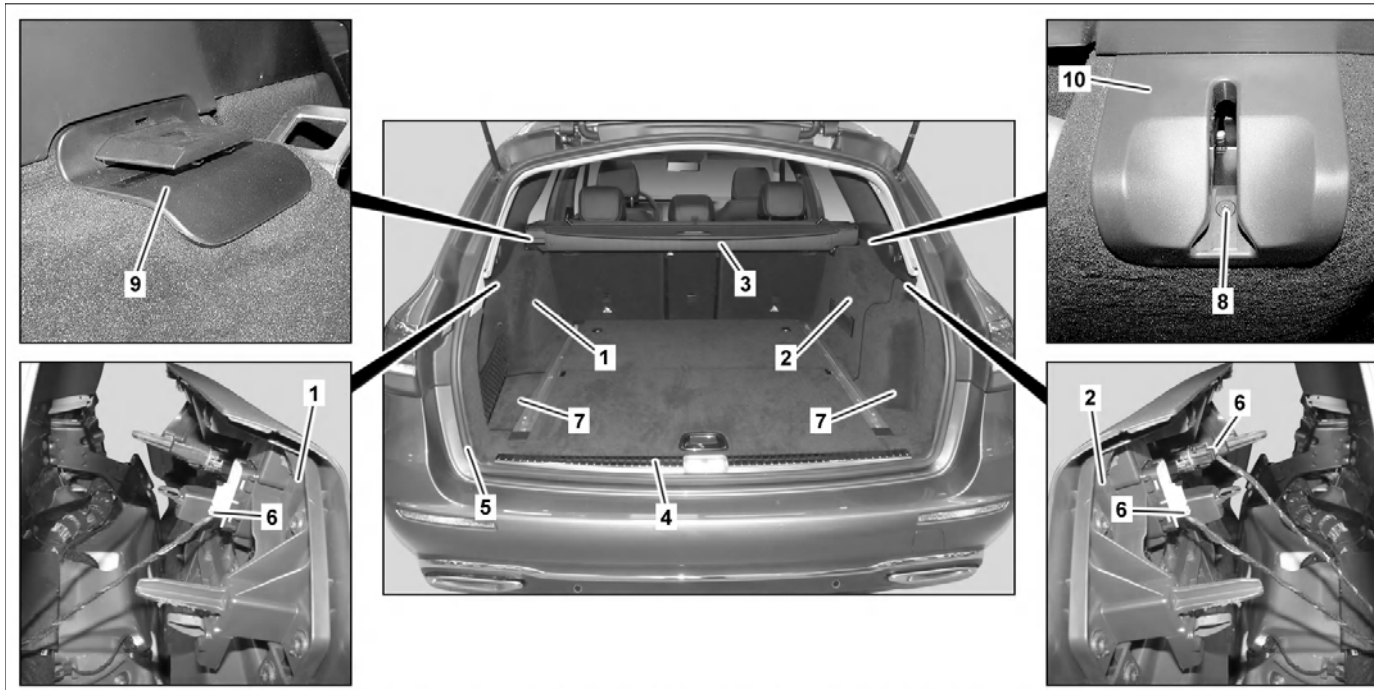


Model 213.2

Modification notes

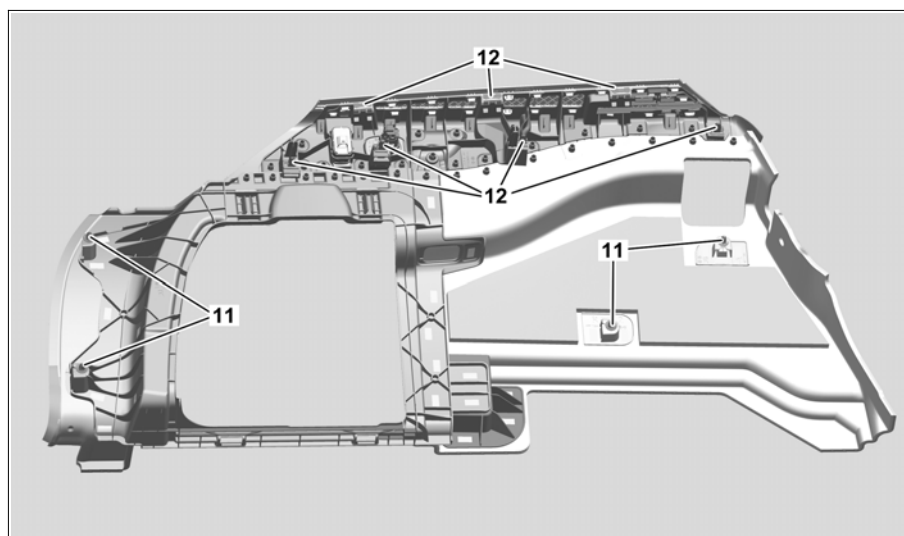
| | | | |
|------------|-----------------------|--------|--|
| 01.04.2019 | Operation step added. | Step 4 | |
|------------|-----------------------|--------|--|



P68.30-3954-09

- | | | | | | |
|---|--------------------------------------|---|----------------------|----|-------|
| 1 | Left side load compartment paneling | 5 | Edge guard | 8 | Screw |
| 2 | Right side load compartment paneling | 6 | Electrical connector | 9 | Cover |
| 3 | Luggage compartment roller blind | 7 | Cover | 10 | Cover |
| 4 | Rear center section paneling | | | | |

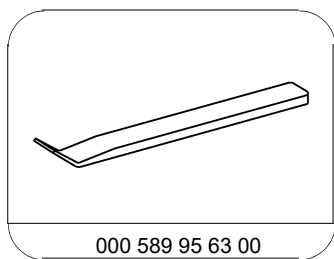
- 11 Retaining clips
- 12 Retaining clips



P68.30-3955-05

| | | | |
|-------------------------|---|--|---------------------------|
| <p>⚠ Warning</p> | <p>Risk of injury caused by fingers being jammed or pinched when removing, installing or aligning hoods, doors, trunk lid/rear-end door or sliding roof.</p> | <p>No parts of the body or limbs should be within the operating area when the components are moving.</p> | <p>AS00.00-Z-0011-01A</p> |
| | <p>Notes on HANDS-FREE ACCESS</p> | | <p>AH80.61-P-0001-01A</p> |

| ☒ ☒ | Remove/install | | |
|-----|--|---|-------------------|
| 1 | Release and fold over left and right seat backrest in the rear passenger compartment. | | |
| 2 | Release and remove retractable luggage compartment cover (3). | | |
| 3 | Remove trim (7) of left side load compartment trim (1) and/or right side load compartment trim (2). | | |
| 4 | Remove high-voltage battery cover. | Model 213.216 | AR68.80-P-6000LWH |
| 5 | Remove rear-end center-section trim (4). | | AR68.30-P-4786LWT |
| 6 | Remove screw (8) and unclip cover (10). | When removing right side load compartment paneling (2). ☒ Dismantling tool | *000589956300 |
| 7 | Unclip cover (9). | When removing left side load compartment paneling (1). ☒ i Installation: Ensure that spring below upper section of cover (9) is seated correctly. ☒ i Cover (9) consists of two parts. ☒ Dismantling tool | *000589956300 |
| 8 | Unclip left side load compartment trim (1) and/or right side load compartment trim (2) from the rear to the front from retaining clips (11) and retaining clamps (12). | ☒ i Installation: Ensure that edge guard (5) is seated properly.. | |
| 9 | Disconnect electrical connector (6) of left side load compartment trim (1) and/or electrical connector (6) of right side load compartment trim (2). | | |
| 10 | Remove left side load compartment trim (1) and/or right side load compartment trim (2). | | |
| 11 | Install in the reverse order. | | |



Dismantling tool