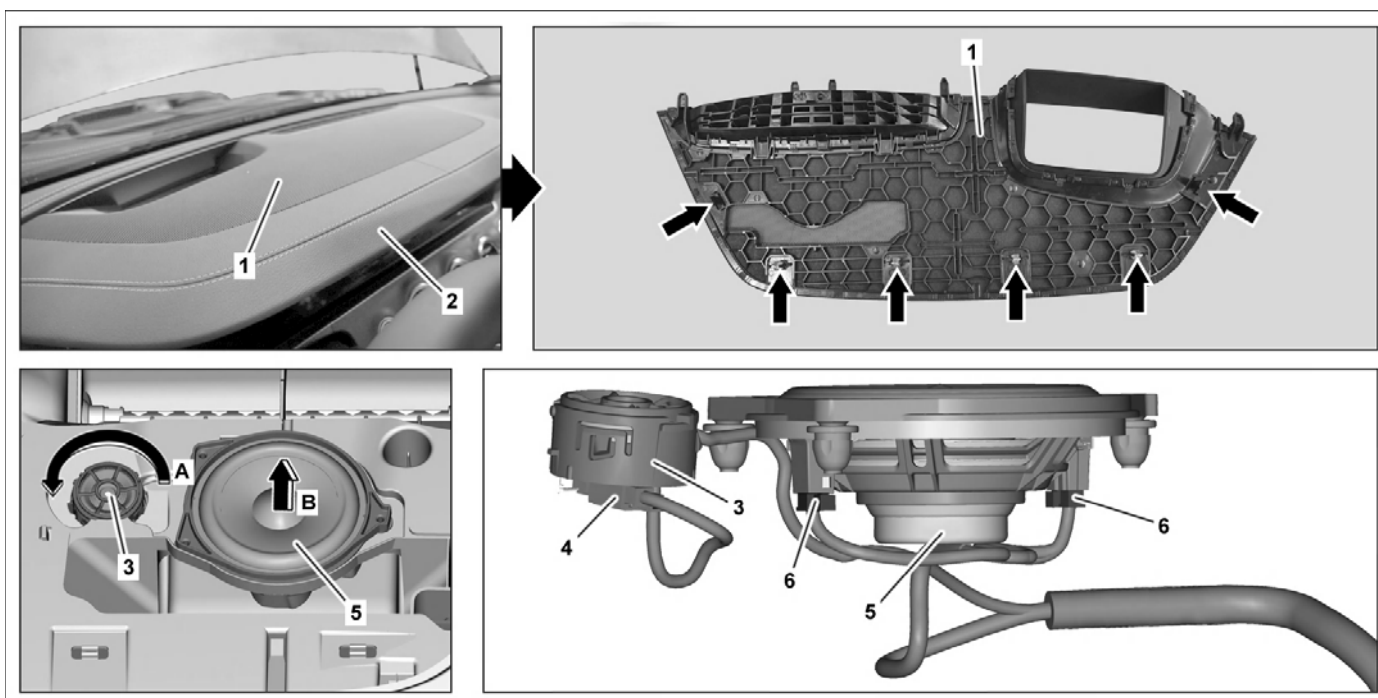


Model 213, 238



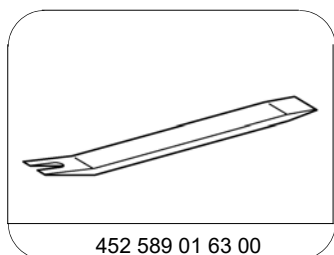
P82.62-4456-09

Shown with code 811 (Advanced sound system)

- 1 Cover
- 2 Instrument panel
- 3 Tweeter

- 4 Electrical connector
- 5 Midrange speaker
- 6 Electrical connector

☒ ☒	Remove/install		
1	Switch off ignition and store transmitter key outside of transmission range (min. 2 m)		
2	Unclip cover (1) at instrument panel (2) (arrows)	☑ Clip remover	*452589016300
3	Turn the tweeter (3) counterclockwise (arrow A), remove upwards and disconnect the electrical connector (4)	Model 213, 238 with code 811 (Advanced sound system)	
4	Pull the midrange speaker (5) upwards out of the mount (arrow B), disconnect the electrical connectors (6) and remove the midrange speaker (5)	ⓘ The number of electrical connectors (6) may vary depending on the vehicle equipment involved.	
5	Install in the reverse order		



452 589 01 63 00

Clip remover