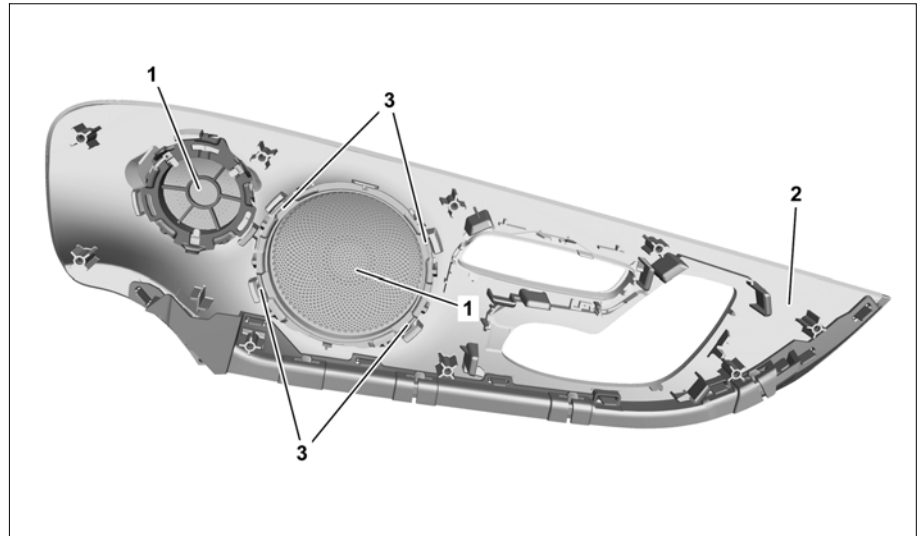


Model 205, 213, 238, 253

Shown on left side of vehicle on model 238

- 1 Speaker cover
- 2 Trim piece
- 3 Catch hook



P72.10-4746-05

	Remove		
1	Remove left and right door panel from front door	Model 205, 213, 253 Model 238	AR72.10-P-1000LW AR72.10-P-1000LWO
2	Remove trim piece (2) from door panel of front door		
3	Remove adhesive residue from area of catch hooks (3) on corresponding speaker cover (1) without leaving any residue	When removing speaker cover (1) of mid-range speaker.	
4	Remove corresponding speaker cover (1) from trim piece (2)		
	Install		
5	Clip corresponding speaker cover (1) into trim piece (2)	The speaker cover (1) must engage with the trim piece (2) uniformly around its whole circumference.	
Caution	Risk of injury caused by burns to skin and eyes, risk of poisoning caused by inhaling vapors when working with plastics Fix catch hooks (3) in place using hot-melt adhesive beads	Wear protective gloves and safety glasses. Ensure that the work area is adequately ventilated. When installing speaker cover (1) of mid-range speaker. Avoid any thread formation of hot melt adhesive. Commercially available devices/tools Thermoplastic adhesive gun	AS00.00-Z-0001-02A
6			
7	Install trim piece (2) in door panel of front door		
8	Install door panel on front door	Model 205, 213, 253 Model 238	AR72.10-P-1000LW AR72.10-P-1000LWO