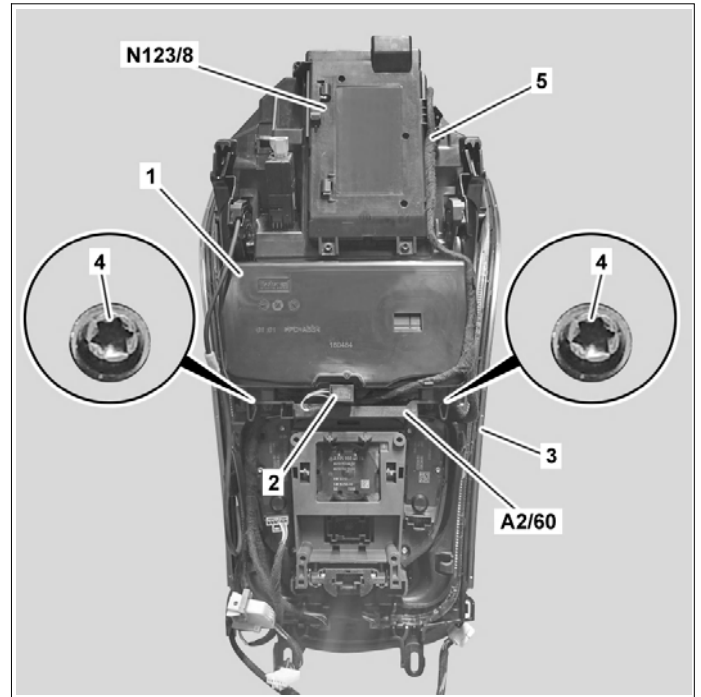


Model 205
 Model 213, 238
 Model 253
 Model 257

Shown on model 205 with transmission 722 and code 897 (wireless mobile phone charging) and code 889 (KEYLESS-GO)

- 1 Stowage compartment
- 2 Light-emitting diode
- 3 Center console cover
- 4 Screw
- 5 Wiring harness
- A2/60 Center console KEYLESS-GO antenna
- N123/8 Mobile phone cradle control unit



P68.20-A003-12

	Information on preventing damage to electronic components due to electrostatic discharge		AH54.00-P-0001-01A
	Remove/install		
1	Remove center console cover (3).	Model 257 Model 238 with transmission 725 Model 238 with transmission 716 Model 205 with transmission 722, 724, 725 Model 213 with transmission 725 Model 253 with transmission 724, 725 Model 205 with transmission 716 Model 213 with transmission 716 Model 253 with transmission 716	AR68.20-P-2350FR AR68.20-P-2350LWO AR68.20-P-2350LWP AR68.20-P-2350LW AR68.20-P-2350LWA
2	Disconnect light-emitting diode (2) from fiber-optic cable.	Model 205, 213, 238, 253 with code 877 (ambient lighting) Model 257 with code 891 (Premium ambiance illumination)	
3	Expose wiring harness (5).	Model 205 with transmission 722, 724, 725 with code 877 (ambient lighting) Model 253 with transmission 725 with code 877 (ambient lighting)	
4	Unscrew screw/bolts (4).		
5	Remove stowage compartment (1) from the center console cover (3).		
6	Remove center console KEYLESS-GO antenna (A2/60).	Only when replacing stowage compartment (1). Model 213, 238 Model 253 with code 889 (KEYLESS-GO) Model 253 with code 893 (KEYLESS-GO) Model 205 with code 889 (KEYLESS-GO) Model 205 with code 893 (KEYLESS-GO) Model 257	AR80.61-P-0041LWG AR80.61-P-0041LW AR80.61-P-0041FR

7	Remove mobile phone cradle control unit (N123/8).	<p>Only when installing new stowage compartment (3).</p> <p>Model 213, 238 with transmission 725 with code 896 (Vehicle access and drive authorization via mobile phone)</p> <p>Model 213, 238 with transmission 725 with code 897 (Wireless mobile phone charging)</p> <p>Model 213, 238 with transmission 725 with code 899 (Multifunction telephony)</p> <p>Model 257 with code 897 (Wireless mobile phone charging)</p> <p>Model 257 with code 899 (Multifunction telephony)</p> <p>Model 205 as of model year 2019 with code 897 (Wireless mobile phone charging)</p> <p>Model 205 as of model year 2019 with code 899 (Multifunction telephony)</p>	<p>AR82.70-P-0007LWE</p> <p>AR82.70-P-0007FR</p> <p>AR82.70-P-0007LWM</p>
8	Install in the reverse order.		