

AR60.00-P-0700-01LWE	Gap dimensions on hoods, doors and lids		
----------------------	---	--	--

Model 213

Check values for gap dimensions

Number	Designation			Model 213.0/1	Model 213.2
BE60.00-P-1001-01GA	Engine hood to fender	Dimension "A"	mm	3 (±0,5)	3 (±0,5)
		For picture, see		AR60.00-P-0700-01L WE	AR60.00-P-0700-01 LWE

Check values for gap dimensions

Number	Designation			Model 213.0/1	Model 213.2
BE60.00-P-1002-01GA	Engine hood to headlamp	Dimension "B"	mm	5,2 (±1,5)	5,2 (±1,5)
		For picture, see		AR60.00-P-0700-01L WE	AR60.00-P-0700-01 LWE

Check values for gap dimensions

Number	Designation			Model 213.0/1	Model 213.2
BE60.00-P-1003-01GA	Engine hood to radiator trim/soft nose	Dimension "C"	mm	3,6 (±0,8)	3,6 (±0,8)
		For picture, see		AR60.00-P-0700-01L WE	AR60.00-P-0700-01 LWE

Check values for gap dimensions

Number	Designation			Model 213.0/1	Model 213.2
BE60.00-P-1004-01GA	Protrusion of radiator trim/soft nose, engine hood	Dimension "C"		1 (±1)	1 (±1)
		For picture, see		AR60.00-P-0700-01L WE	AR60.00-P-0700-01 LWE

Check values for gap dimensions

Number	Designation			Model 213.0/1	Model 213.2
BE60.00-P-1005-01GA	Engine hood to bumper	Dimension "D"	mm	3,8 (±1)	3,8 (±1)
		For picture, see		AR60.00-P-0700-01L WE	AR60.00-P-0700-01 LWE

Check values for gap dimensions

Number	Designation			Model 213.0/1	Model 213.2
BE60.00-P-1006-01GA	Bumper to headlamp	Dimension "E"	mm	2 (±0,75)	2 (±0,75)
		For picture, see		AR60.00-P-0700-01L WE	AR60.00-P-0700-01 LWE

Check values for gap dimensions

Number	Designation			Model 213.0/1	Model 213.2
BE60.00-P-1007-01GA	Front door to fender	Dimension "G"	mm	3,6 (±0,5)	3,6 (±0,5)
		For picture, see		AR60.00-P-0700-01L WE	AR60.00-P-0700-01 LWE

Check values for gap dimensions

Number	Designation			Model 213.0/1	Model 213.2
BE60.00-P-1008-01GA	Front door to rear door	Dimension "H"	mm	3,9 (±0,5)	3,9 (±0,5)
		For picture, see		AR60.00-P-0700-01L WE	AR60.00-P-0700-01 LWE

Check values for gap dimensions

Number	Designation			Model 213.0/1	Model 213.2

BE60.00-P-1009-01GA	Rear door to side section, bottom	Dimension "I"	mm	3,3 (±0,5)	3,3 (±0,5)
		For picture, see		AR60.00-P-0700-01L WE	AR60.00-P-0700-01 LWE

Check values for gap dimensions

Number	Designation			Model 213.0/1	Model 213.2
BE60.00-P-1010-01GA	Front door cover to rear door cover	Dimension "J"	mm	4,3 (±0,75)	4,3 (±0,75)
		For picture, see		AR60.00-P-0700-01L WE	AR60.00-P-0700-01 LWE

Check values for gap dimensions

Number	Designation			Model 213.0/1
BE60.00-P-1011-01GA	Trunk lid to fender at rear, top	Dimension "K"	mm	3,3 (±0,8)
		For picture, see		AR60.00-P-0700-01 LWE

Check values for gap dimensions

Number	Designation			Model 213.0/1	Model 213.2
BE60.00-P-1012-01GA	Taillamp to bumper	Dimension "L"	mm	1,9 (±1,0)	2,2 (±1,0)
		For picture, see		AR60.00-P-0700-01L WE	AR60.00-P-0700-01 LWE

Check values for gap dimensions

Number	Designation			Model 213.0/1
BE60.00-P-1013-01GA	Trunk lid to bumper	Dimension "M"	mm	3,8 (±1)
		Dimension "M1"	mm	5,5 (±1)
		For picture, see		AR60.00-P-0700-01 LWE

Check values for gap dimensions

Number	Designation			Model 213.0/1	Model 213.2
BE60.00-P-1014-01GA	Rear sidewall to taillamp	Dimension "N"	mm	1 (±0,7)	1 (±0,7)
		For picture, see		AR60.00-P-0700-01L WE	AR60.00-P-0700-01 LWE

Check values for gap dimensions

Number	Designation			Model 213.0/1	Model 213.2
BE60.00-P-1015-01GA	Fuel filler flap	Dimension "O"	mm	2 (±0,5)	2 (±0,5)
		For picture, see		AR60.00-P-0700-01L WE	AR60.00-P-0700-01 LWE

Check values for gap dimensions

Number	Designation			Model 213.2
BE60.00-P-1016-01GA	Rear side window to rear triangular window	Dimension "P"	mm	4,6 (±1,0)
		For picture, see		AR60.00-P-0700-01 LWE

Check values for gap dimensions

Number	Designation			Model 213.2
BE60.00-P-1017-01GA	Roof to rear spoiler	Dimension "Q"	mm	4,9 (±1,4)
		For picture, see		AR60.00-P-0700-01 LWE

Check values for gap dimensions

Number	Designation			Model 213.2
BE60.00-P-1018-01GA	Sidewall to rear spoiler	Dimension "R"	mm	3,9 (±1,3)
		For picture, see		AR60.00-P-0700-01 LWE

Check values for gap dimensions

Number	Designation	Dimension "U1"	mm	Model 213.2
BE60.00-P-1019-01GA	Center of liftgate to rear bumper	Dimension "U1"	mm	5,5 (± 1,5)
		For picture, see		AR60.00-P-0700-01 LWE

Check values for gap dimensions

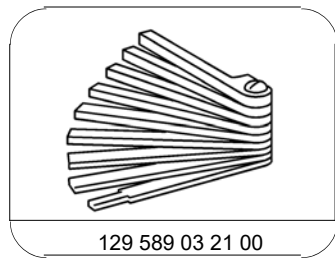
Number	Designation	Dimension "U2"	mm	Model 213.2
BE60.00-P-1020-01GA	Outside of liftgate to rear bumper	Dimension "U2"	mm	3,8 (± 1,0)
		For picture, see		AR60.00-P-0700-01 LWE

Check values for gap dimensions

Number	Designation	Dimension "S"	mm	Model 213.2
BE60.00-P-1021-01GA	Sidewall to liftgate	Dimension "S"	mm	3,5 (± 0,8)
		For picture, see		AR60.00-P-0700-01 LWE

Check values for gap dimensions

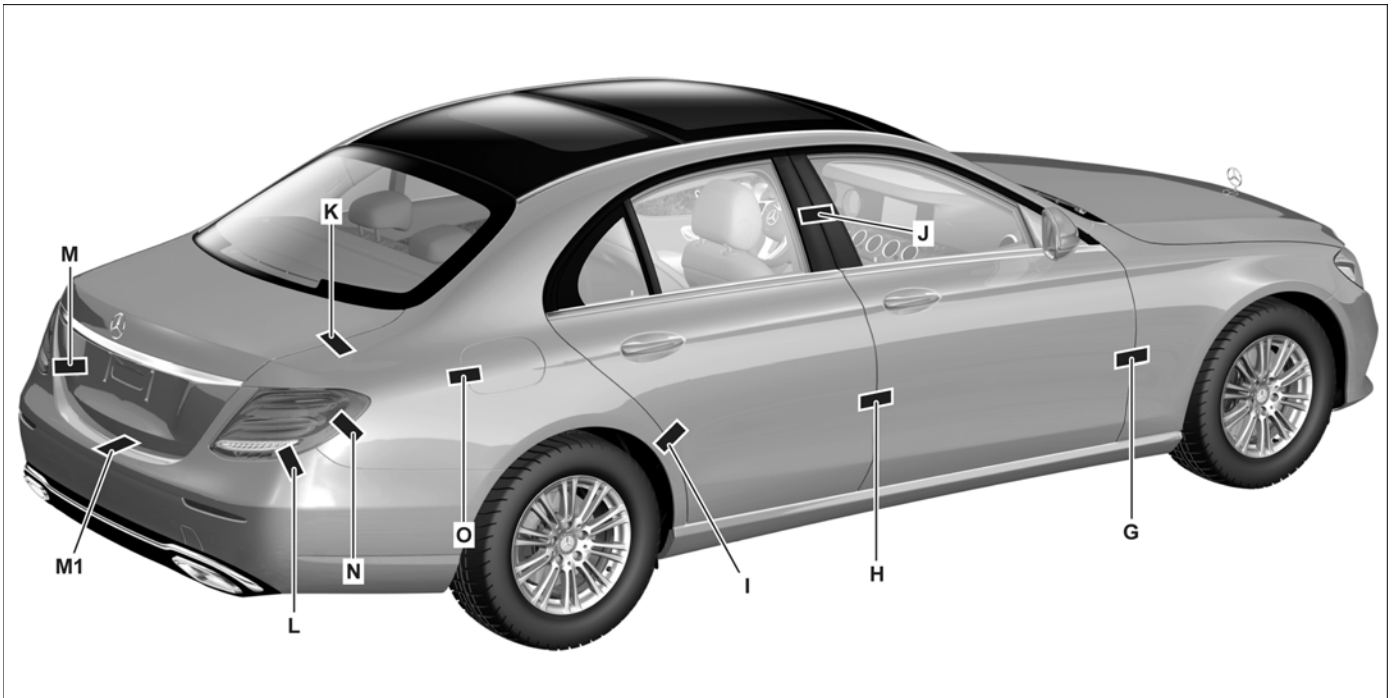
Number	Designation	Dimension "T"	mm	Model 213.2
BE60.00-P-1022-01GA	Outside of taillamp to inside of taillamp	Dimension "T"	mm	3,8 (± 1,0)
		For picture, see		AR60.00-P-0700-01 LWE



Feeler gauge

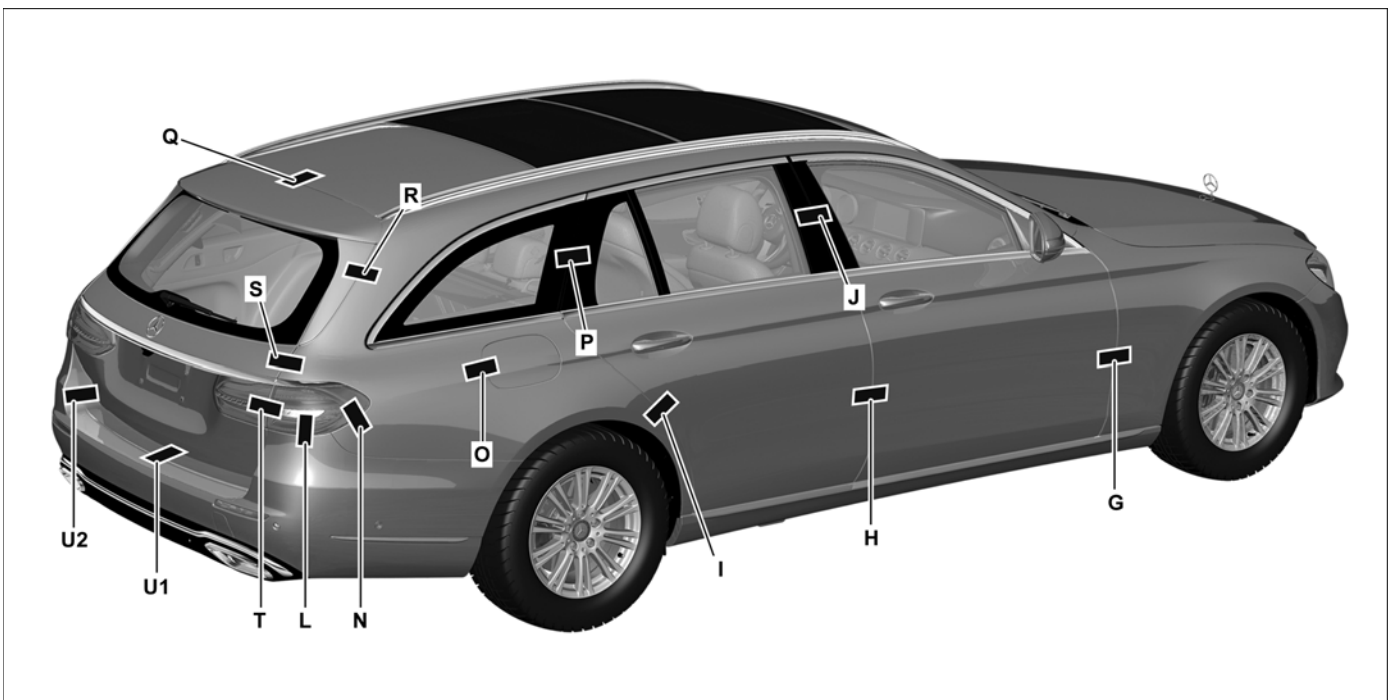


Front gap dimensions, shown on model 213.0



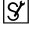
P60.00-3115-09

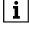
Model 213.0/1 rear and side gap dimensions, shown on model 213.0



P60.00-3150-09

Model 213.2 rear and side gap dimensions

1 Check gap dimensions on hoods, doors and covers with  feeler gauge as shown in drawings.

 Adjust hoods, door and cover as shown in drawing. The gap should not run wedge-shaped or be too narrow at points. Deviations from parallel gap should be max. 1 mm over the entire length. If the inside clearance is too large or too small, the movable body parts must be centered accordingly. The reference measurements apply only for repair work on vehicles damaged in accidents.