

Model 213

Model 238

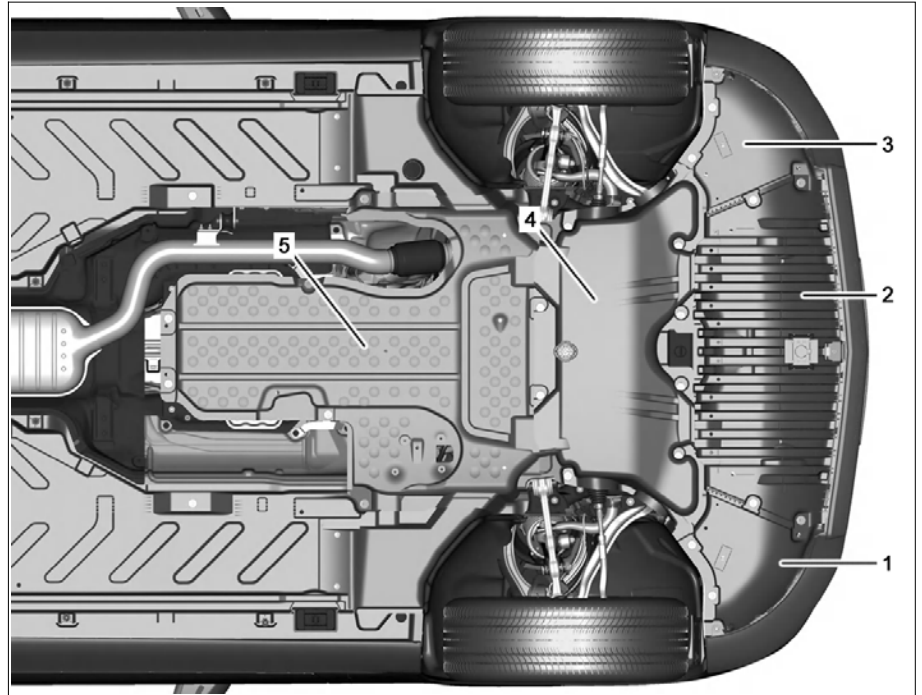
Modification notes

13.07.2016 Open engine hood added

Operation step 1

Shown on model 213 with engine 274
except code 481 (underbody protection)

- 1 Left front engine compartment paneling
- 2 Center front engine compartment paneling
- 3 Right front engine compartment paneling
- 4 Center engine compartment paneling
- 5 Rear engine compartment paneling



P61.20-2085-06

| | | | |
|---------|--------------------------------------------------------------------------------------------------------------------------------------------------------------------------------------|--------------------------------------------------------------------------------------------------------------------------------------------------------------------------|---------------------|
| Warning | Risk of injury from engine start by remote start function | Prior to starting work, open engine hood, do not reach into rotation range or hazard area of freely rotating parts, wear closed and snug-fitting work clothes | AS00.00-Z-0024-01A |
| | Remove/install | | |
| 1 | Open engine hood | Vehicles with remote start function | |
| 2 | Raise vehicle | | AR00.60-P-1002LWG |
| 3 | Remove center engine compartment paneling (4) | Model 213, 238 with code 481 (Sump shield) Screw/bolt, underride guard | *BA61.40-P-1001-01D |
| 4 | Remove left front engine compartment paneling (1), center front engine compartment paneling (2), right front engine compartment paneling (3) or rear engine compartment paneling (5) | Installation: Push left front engine compartment paneling (1) and right front engine compartment paneling (3) below center front engine compartment paneling (2). | |
| 5 | Install in the reverse order | | |

Underride guard

| Number | Designation | | Model 213 with code 481 (Sump shield) | Model 238 with code 481 (Sump shield) |
|--------------------|-----------------------------|----|---------------------------------------|---------------------------------------|
| BA61.40-P-1001-01D | Screw/bolt, underride guard | Nm | 17 | 17 |