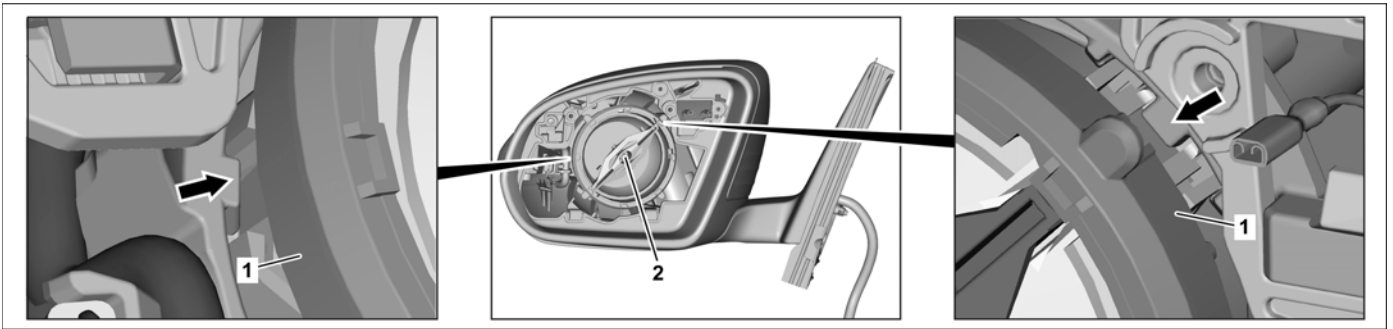


Model 205, 213, 217, 222, 238, 253, 293



P88.70-2688-07

Shown on left outside mirror, model 222

1 Glass adjustment drive

2 Screw

☒ ☒	Remove/install		
1	Remove outside mirror trim.		AR88.70-P-9040LF
2	Disconnect electrical connector of the glass adjustment drive (1).		
3	Remove screw/bolt (2).		
4	Release catch hooks (arrows) and remove glass adjustment drive (1).		
5	Install in the reverse order		