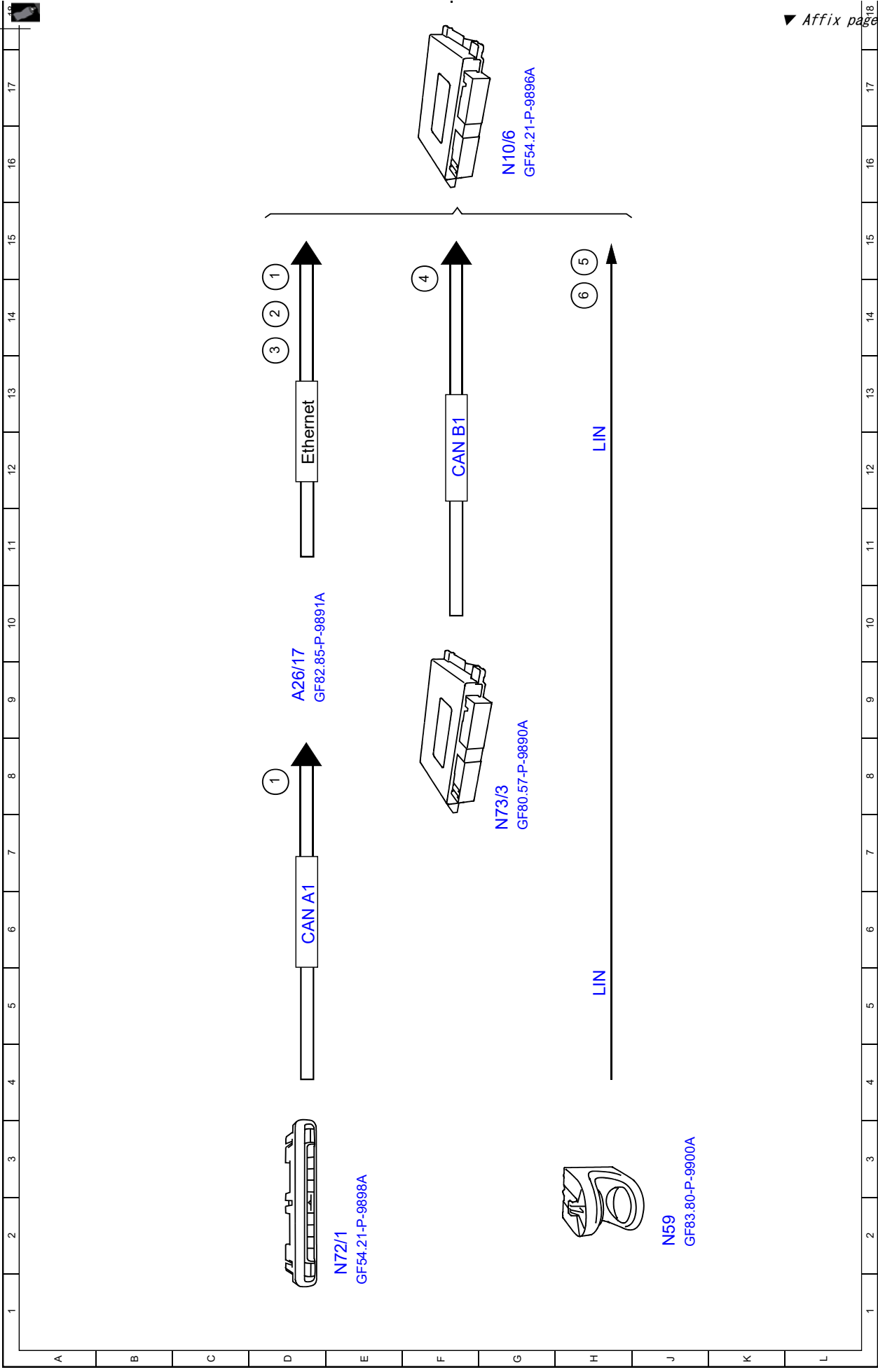


Document number : pe83.80-p-2501-97e

Document title : Function schematic for actuating fragrance system generator

Code: Designation: Position:

| | | |
|----------|--|-----|
| 1 | Operation, signal | 14D |
| 1 | Operation, signal | 8D |
| 2 | Perfume atomizer intensity, request | |
| 3 | Switch on perfume atomizer, request | |
| 4 | Circuit 15, status | 14F |
| 5 | Glove compartment anti-theft alarm system switch, status | 15H |
| 6 | Fragrance system, status | |
| 7 | Perfume atomizer generator, actuation | |
| A26/17 | Head unit | 9D |
| CAN A1 | CAN 1 for telematics | 6D |
| CAN B1 | CAN 1 for vehicle interior | 12F |
| Ethernet | Ethernet | 12D |
| LIN | Local Interconnect Network | 19F |
| LIN | Local Interconnect Network | 12H |
| LIN | Local Interconnect Network | 5H |
| N10/6 | Front signal acquisition and actuation module control unit | 16G |
| N59 | Perfume atomizer control unit | 2J |
| N59 | Perfume atomizer control unit | 21G |
| N72/1 | Upper control panel control unit | 2E |
| N73/3 | Electronic ignition switch control unit | 7G |



▼ Affix page 2 here ▼

