

Model 213

Model 238

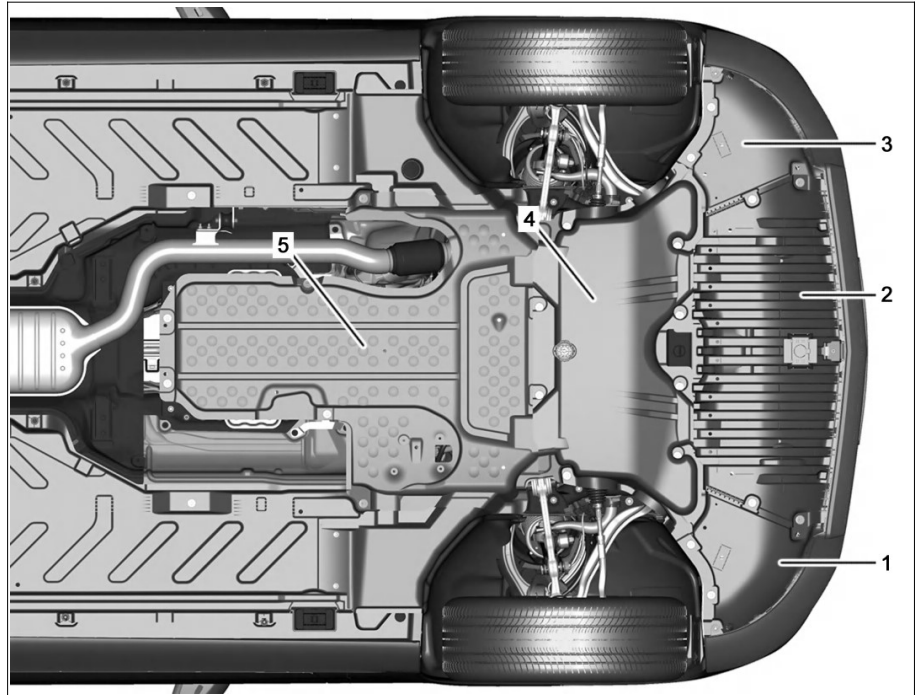
Modification notes

13.07.2016 Open engine hood added



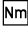
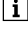
Operation step 1

Shown on model 213 with engine 274
except code 481 (underbody protection)

- 1 Left front engine compartment paneling
- 2 Center front engine compartment paneling
- 3 Right front engine compartment paneling
- 4 Center engine compartment paneling
- 5 Rear engine compartment paneling



P61.20-2085-06

 Warning	Risk of injury from engine start by remote start function	Prior to starting work, open engine hood, do not reach into rotation range or hazard area of freely rotating parts, wear closed and snug-fitting work clothes	AS00.00-Z-0024-01A
	Remove/install		
1	Open engine hood	Vehicles with remote start function	
2	Raise vehicle		AR00.60-P-1002LWG
3	Remove center engine compartment paneling (4)	 Model 213, 238 with code 481 (Sump shield) Screw/bolt, underride guard	*BA61.40-P-1001-01D
4	Remove left front engine compartment paneling (1), center front engine compartment paneling (2), right front engine compartment paneling (3) or rear engine compartment paneling (5)	 Installation: Push left front engine compartment paneling (1) and right front engine compartment paneling (3) below center front engine compartment paneling (2).	
5	Install in the reverse order		

 Underride guard

Number	Designation		Model 213 with code 481 (Sump shield)	Model 238 with code 481 (Sump shield)
BA61.40-P-1001-01D	Screw/bolt, underride guard	Nm	17	17