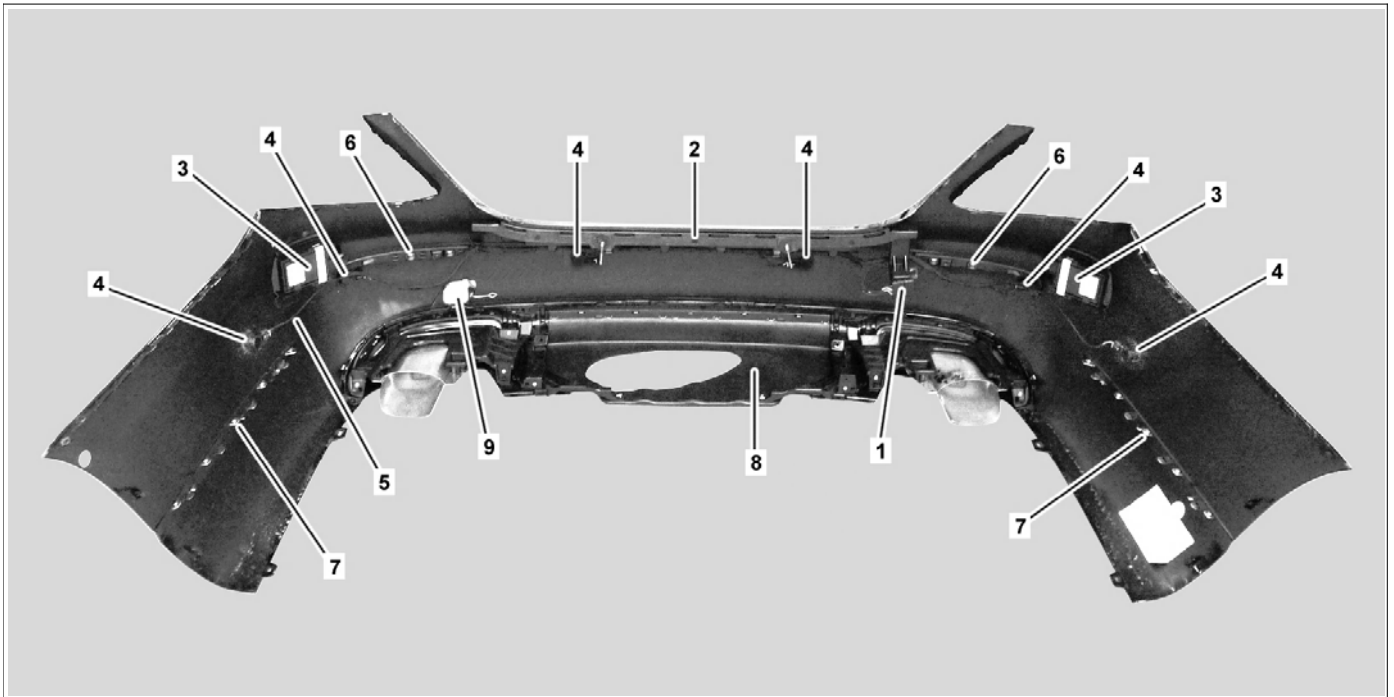


Model 213.0/1
 Model 213.2
 except code M035 (Allroad version)

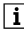




P88.20-4634-09

Shown on model 213.0 with code 233 (DISTRONIC PLUS) and with code 235 (Park-Pilot)

- | | | | |
|---|---|---|-------------------|
| 1 | Coupling (with code 233 (DISTRONIC PLUS) or with code 234 (Blind spot assist) or with code 235 (Park-Pilot)) | 6 | Reflector |
| 2 | Reinforcement | 7 | Trim piece |
| 3 | Radar sensor (with code 233 (DISTRONIC PLUS) or with code 234 (Blind spot assist)) | 8 | Bottom rear apron |
| 4 | Parking system distance sensor (with code 235 (Park-Pilot)) | 9 | Tow eye cover |
| 5 | Electrical wiring harness (with code 233 (DISTRONIC PLUS) or with code 234 (Blind spot assist) or with code 235 (Park-Pilot)) | | |

	Remove		
1	Remove rear bumper	Model 213.0/1 Model 213.2 except code M035 (Allroad version)	AR88.20-P-2200LW AR88.20-P-2200LWS
	Disassemble/assemble		
2	Remove coupling (1) from reinforcement (2)	Model 213.0/1 with code 233 (DISTRONIC PLUS) Model 213.0/1 with code 234 (Blind Spot Monitoring) Model 213.0/1 with code 235 (Parking Pilot) Model 213.2 with code 233 (DISTRONIC PLUS) except code M035 (Allroad version) Model 213.2 with code 234 (Blind Spot Monitoring) except code M035 (Allroad version) Model 213.2 with code 235 (Parking Pilot) except code M035 (Allroad version)	
3	Unclip reinforcement (2) from catch hook and remove		

4	Remove radar sensors (3) from rear bumper	Model 213.0/1 with code 233 (DISTRONIC PLUS) Model 213.0/1 with code 234 (Blind Spot Monitoring) Model 213.2 with code 233 (DISTRONIC PLUS) except code M035 (Allroad version) Model 213.2 with code 234 (Blind Spot Monitoring) except code M035 (Allroad version)  Do not disconnect electrical connectors.	AR54.21-P-0704LWE
5	Remove parking system distance sensors (4) from rear bumper	Model 213.0/1 with code 235 (Parking Pilot) Model 213.2 with code 235 (Parking Pilot) except code M035 (Allroad version)  Do not disconnect electrical connectors.	AR54.65-P-0002LWE AR54.65-P-0002LWT
6	Remove rear switching module from rear bumper	Model 213.0/1 with code P17 (KEYLESS-GO package) Model 213.2 with code P17 (KEYLESS-GO package) except code M035 (Allroad version)	AR80.61-P-0011LW
7	Remove sensor for rear switching module from rear bumper	Model 213.0/1 with code P17 (KEYLESS-GO package) Model 213.2 with code P17 (KEYLESS-GO package) except code M035 (Allroad version)	AR80.61-P-0012LWT
8	Remove electrical wiring harness (5) from rear bumper and remove radar sensors (3) and parking system distance sensors (4)	Model 213.0/1 with code 233 (DISTRONIC PLUS) Model 213.0/1 with code 234 (Blind Spot Monitoring) Model 213.0/1 with code 235 (Parking Pilot) Model 213.0/1 with code P17 (KEYLESS-GO package) Model 213.2 with code 233 (DISTRONIC PLUS) except code M035 (Allroad version) Model 213.2 with code 234 (Blind Spot Monitoring) except code M035 (Allroad version) Model 213.2 with code 235 (Parking Pilot) except code M035 (Allroad version) Model 213.2 with code P17 (KEYLESS-GO package) except code M035 (Allroad version)	
9	Remove reflectors (6) from rear bumper		
10	Unclip trim pieces (7) from rear bumper and remove	If installed.	
11	Drill out rivets from rear apron (8)		
12	Unclip bottom rear apron (8) and remove		
13	Remove towing eye cover (9) from rear bumper		
14	Assemble in the reverse order		
	Install		
15	Install rear bumper	Model 213.0/1 Model 213.2 except code M035 (Allroad version)	AR88.20-P-2200LW AR88.20-P-2200LWS