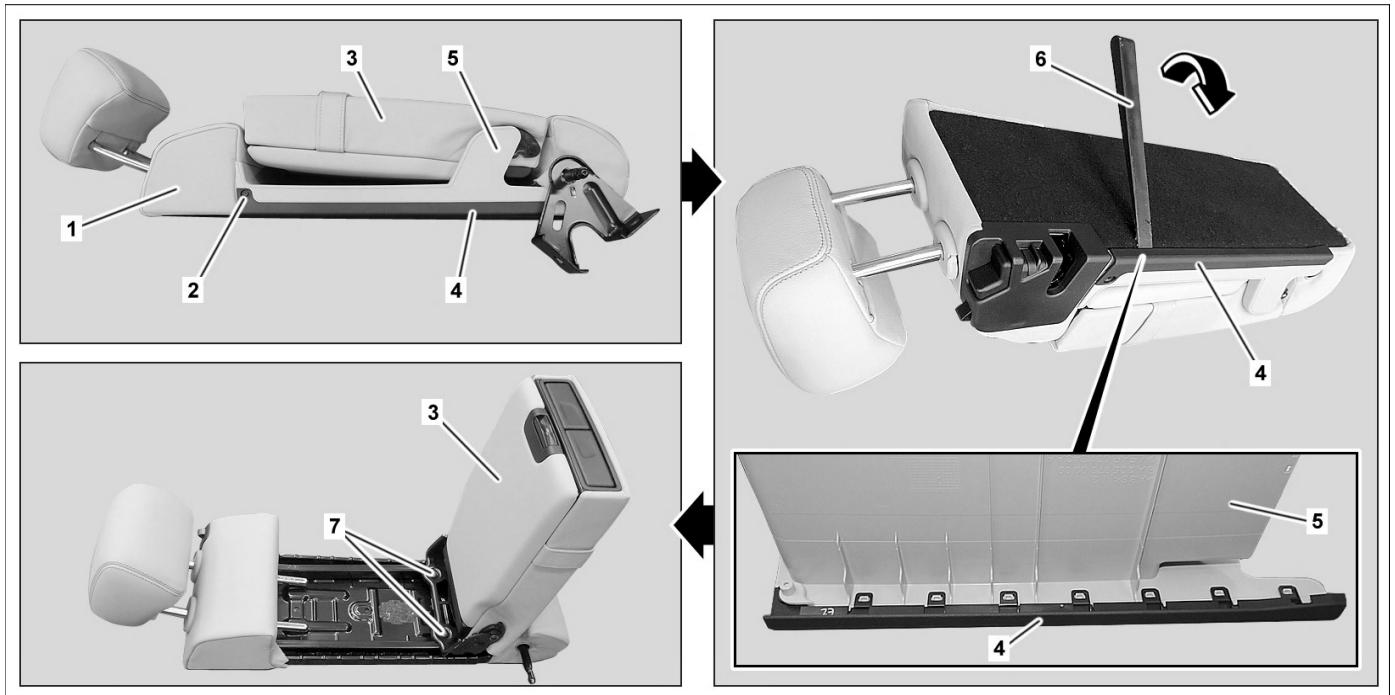


Model 205.0/1, 213.0
with code 287 (Through-loading feature)
Model 205.2
Model 213.2
Model 253, 293



P91.12-3764-09

Shown on removed center backrest (1) with code 287 (Folding rear seat backrests)

1 Center backrest
2 Screw
3 Armrest
4 Cover
5 Cover
6 Long wedge
7 Bolts

	Remove/install		
1	Release and fold over center seat backrest (1).	Removal of the center backrest (1) is not necessary.	
2	Remove left and right screws (2).		
3	Unclip left and right cover (4), as shown, with long wedge (6) and remove.	Carefully unclip covers (4). Otherwise the covers (4) may be damaged. Installation: Ensure that covers (4) are engaged correctly. Long wedge	*115589035900
4	Fold back center backrest (1).		
5	Fold down armrest (3).		
6	Remove cover (5).		
7	Remove screws (7) and remove armrest (3).	Bolt, armrest to backrest frame	*BA91.12-P-1006-03M
8	Install in the reverse order		

Rear seats

Number	Designation		Model 205.0	Model 205.1
BA91.12-P-1006-03M	Bolt, armrest to backrest frame	Nm	8	8

Rear seats

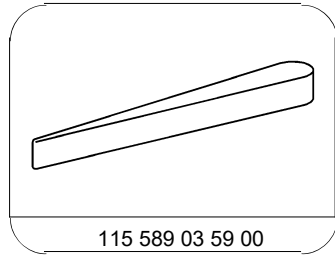
Number	Designation		Model 205.2	Model 213.0
BA91.12-P-1006-03M	Bolt, armrest to backrest frame	Nm	8	8

Nm Rear seats

Number	Designation		Model 213.2	Model 253
BA91.12-P-1006-03M	Bolt, armrest to backrest frame	Nm	8	8

Nm Rear seats

Number	Designation		Model 293
BA91.12-P-1006-03M	Bolt, armrest to backrest frame	Nm	8



Long wedge