

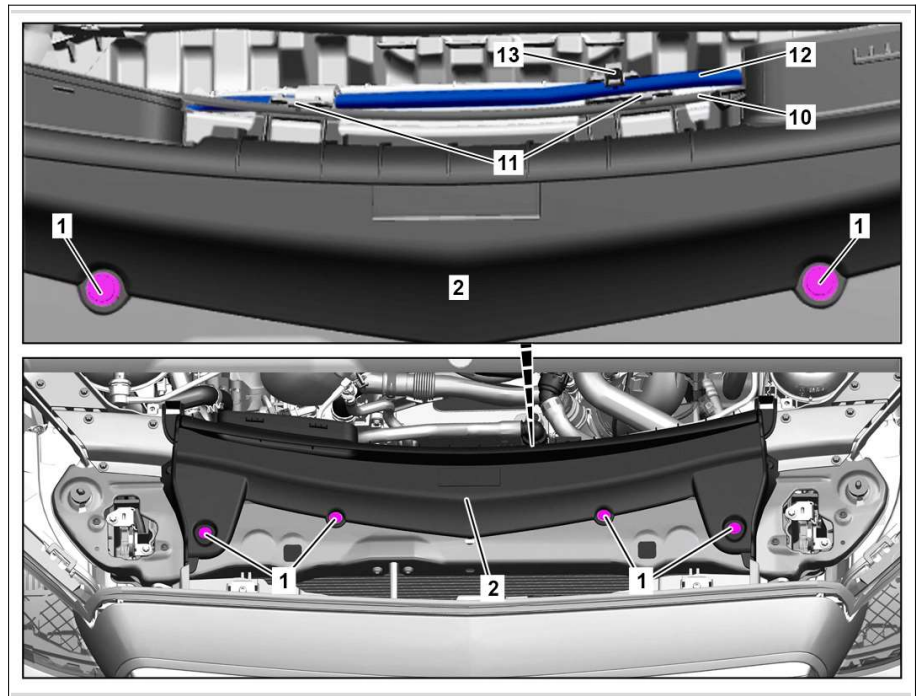
Model 213 with engine 256, 264, 274, 276, 642, 654, 656
 Model 238

Modification notes

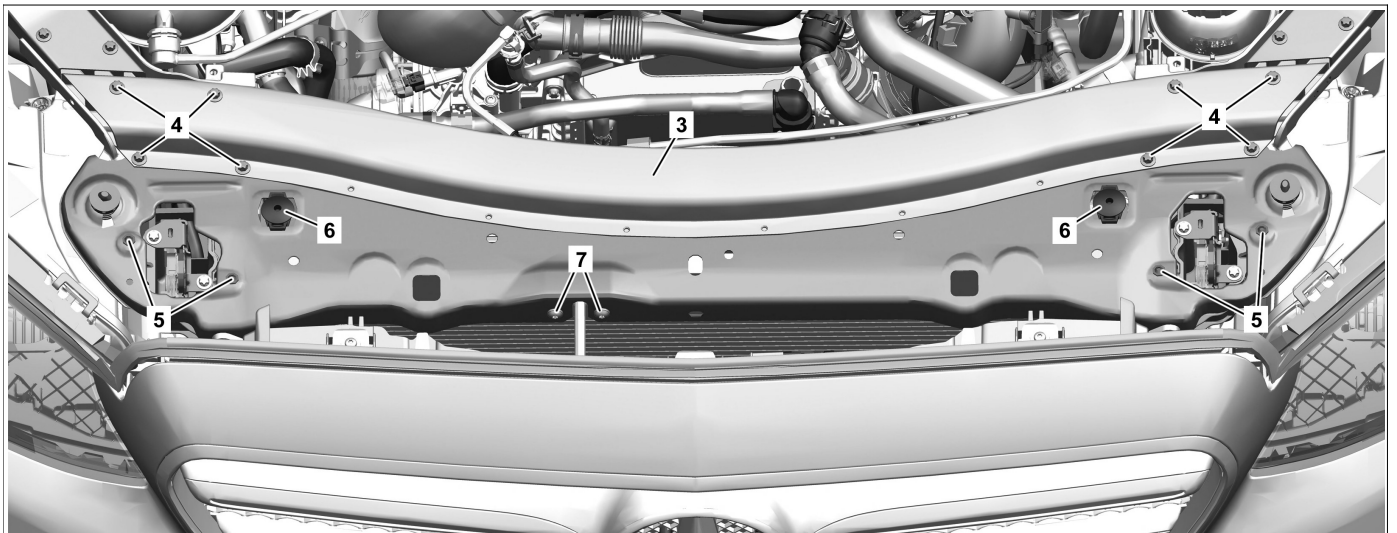
23.08.2021	Picture added.	P62.30-A087-76	
23.08.2021	Method extended.	Operation steps 3, 4, 5.	

Shown on model 213 with engine 264

- 1 Retaining clips
- 2 Air duct segment
- 10 Engine hood cable
- 11 Bracket
- 12 Vent line
- 13 Bracket



P62.30-A087-76



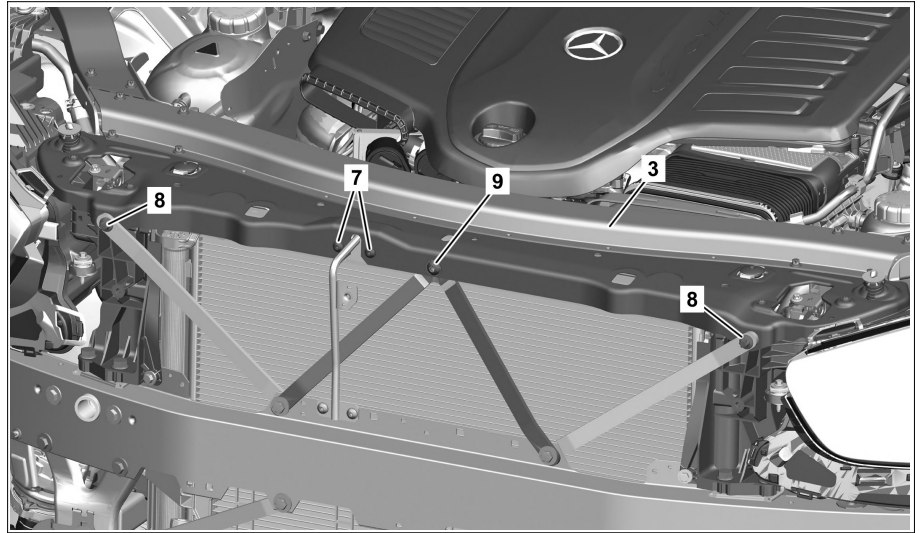
P62.30-A024-08

- 3 Radiator crossmember
- 4 Bolts
- 5 Bolts

- 6 Mounting clip
- 7 Bolts

Shown on model 238 with engine 264 with removed bumper

- 3 Radiator crossmember
- 7 Bolts
- 8 Screw
- 9 Screw



P62.30-A025-05

Caution	Risk of injury caused by scraping or cutting body parts on sharp vehicle parts	Always wear protective gloves when working on or near sharp and non-deburred vehicle parts. Deburr repair panels.	AS00.00-Z-0017-01A
	Remove/install		
1	Open engine hood and position upright.		
2	Disconnect the engine air intake ducts from the air duct segment (2).	The number of engine air intake ducts varies depending on the engine.	
3	Remove bleed line (12) from air duct segment (2).	To do this, unclip bleed line (12) from bracket (13).	
4	Remove hood cable (10) from air duct segment (2).	To do this, unclip hood cable (10) from brackets (11).	
5	Remove air duct segment (2).	To do so, remove retaining clips (1). Clip remover	*452589016300
6	Remove screws (4).	Screw, front module carrier/cross strut to body/angle bracket for front module carrier	*BA62.30-P-1007-01H
7	Remove screws (5).		
8	Remove screws (7).	Bolt, lock striker to cross member/front-module carrier	*BA62.30-P-1008-01H
9	Remove screws (8).	Bolt, strut to cross member	*BA62.30-P-1003-01H
10	Remove screw (9).	Model 238 Bolt, strut to cross member	*BA62.30-P-1003-01H
11	Remove retaining clips (6).		
12	Lift the radiator crossmember (3) up and out of the vehicle.		
13	Install in the reverse order.		

Cross member and front reinforcement

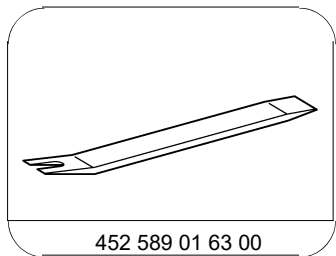
Number	Designation	Model 213	Model 238
BA62.30-P-1003-01H	Bolt, strut to cross member M8 Nm	20	20

Cross member and front reinforcement

Number	Designation	Model 213	Model 238
BA62.30-P-1007-01H	Screw, front module carrier/cross strut to body/angle bracket for front module carrier Nm	11	11

Cross member and front reinforcement

Number	Designation	Model 213	Model 238
BA62.30-P-1008-01H	Bolt, lock striker to cross member/front-module carrier Nm	10	10



452 589 01 63 00

Clip remover