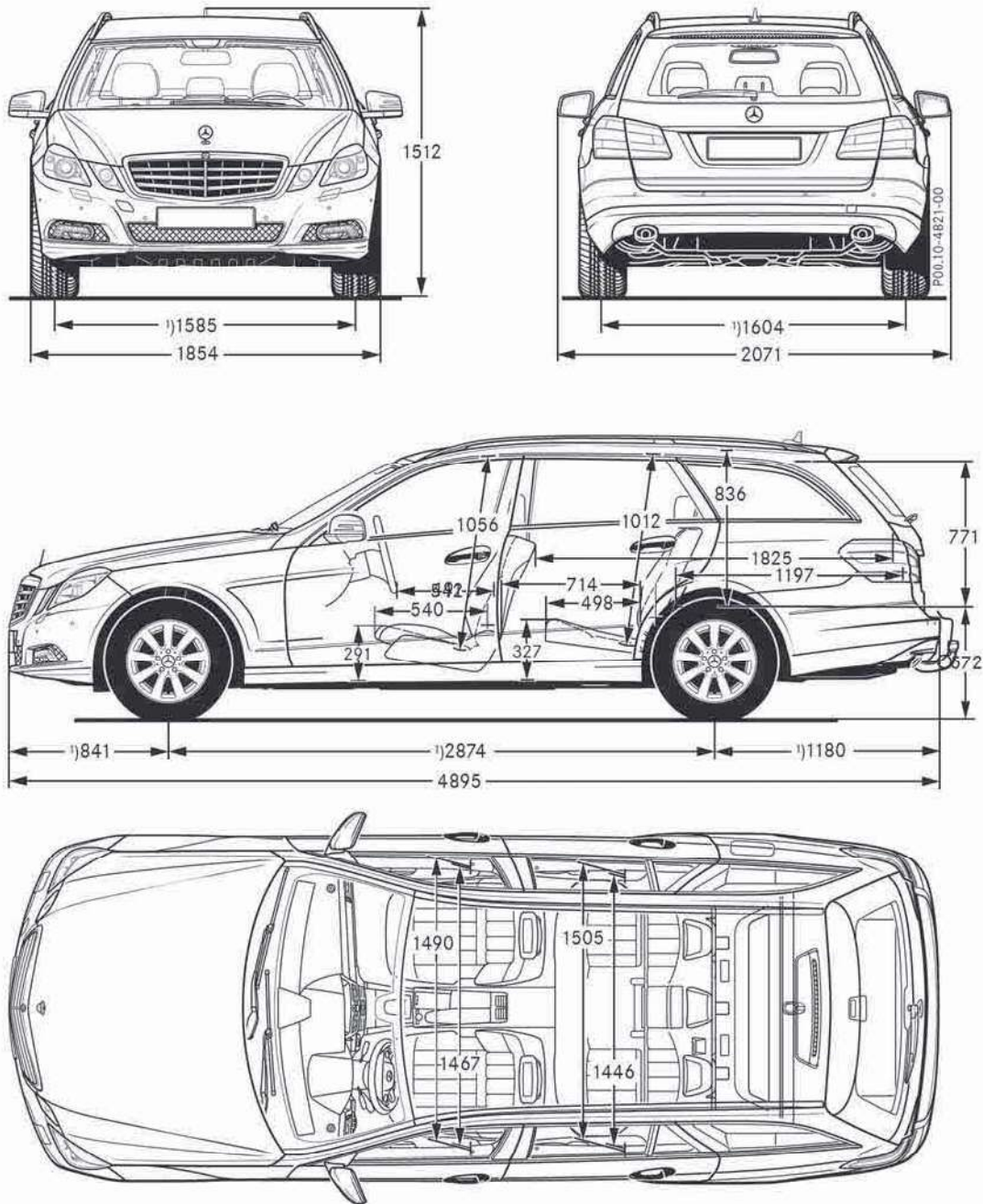


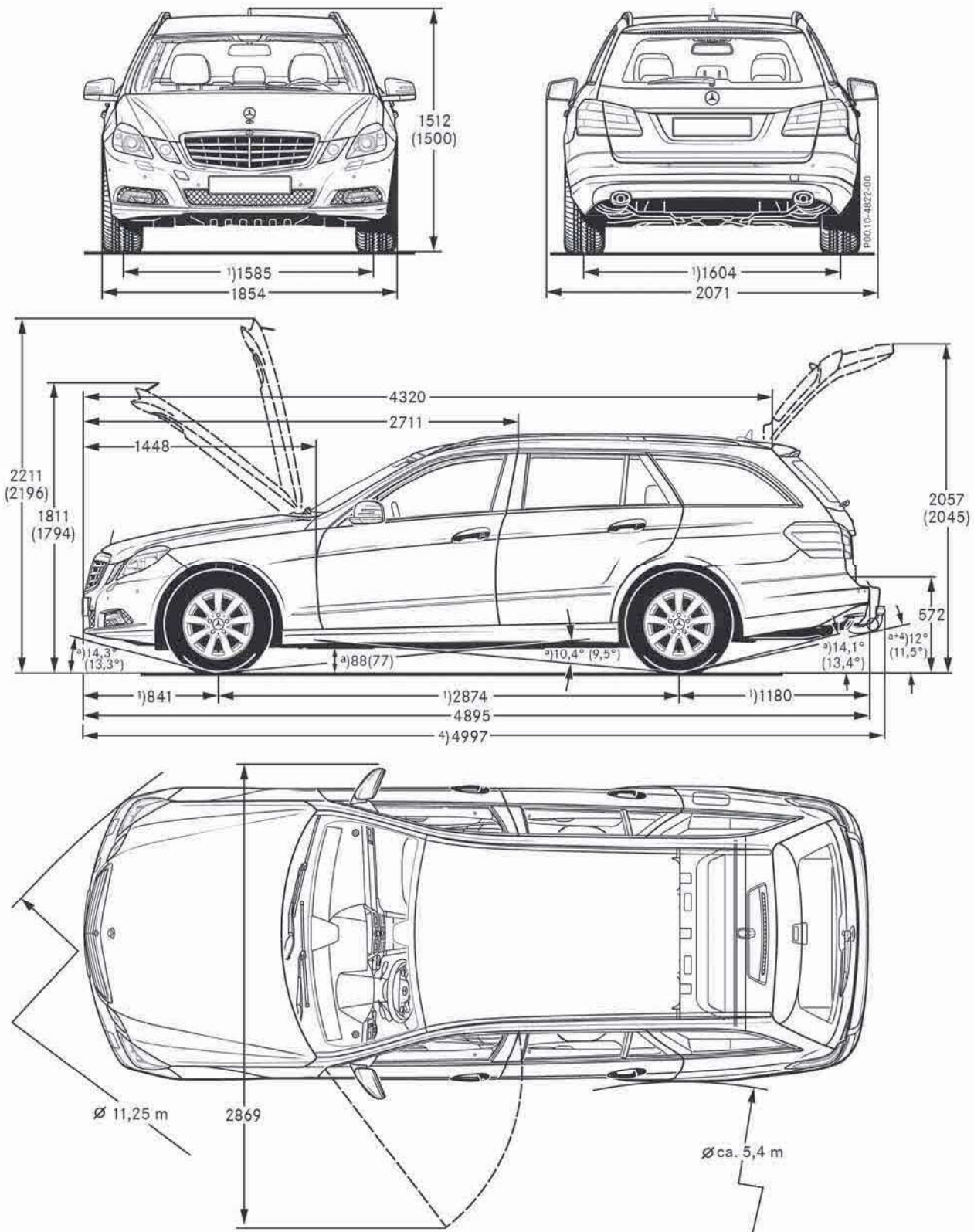
## Dimensions



### Vehicle dimensions of E 220 CDI/E 250 CDI BlueEFFICIENCY

Dimensions unloaded

<sup>1)</sup> Loaded with 3 persons of 68 kg each



### Vehicle dimensions (garage dimensions) of E 220 CDI/E 250 CDI BlueEFFICIENCY

Dimensions unloaded

1) Loaded with 3 persons of 68 kg each

a) At permissible gross vehicle weight

4) With trailer hitch and protective cap (SA)

+ License plate adapter (4 mm)

(...) Vehicles with sports suspension

## Dimensions

	Unit	E 200 CGI	E 250 CGI	E 300
<b>Dimensions</b>				
Vehicle length	mm		4,895	
Vehicle width (outside mirrors folded in)	mm		1,854	
Vehicle width (outside mirrors folded out)	mm		2,071	
Vehicle height <sup>2)</sup>	mm		1,512	
Wheelbase	mm		2,874	
Front track width	mm		1,585	
Rear track width	mm		1,604	
Coefficient of drag C <sub>d</sub>			0.30	

	Unit	E 200 CGI	E 250 CGI	E 300
<b>Dimensions and weights</b>				
Curb weight as per DIN	kg	1,660		1,770
Permissible gross vehicle weight	kg	2,310		2,420
Maximum payload	kg		650	
Max. seating capacity			5	
Trunk capacity (with TIREFIT)	l		695	
Turning circle	m		11.25	
Fuel tank including reserve	l l	59 8		80 9

<sup>2)</sup> Dependent on equipment and engine variant

## Technical data

E 350	E 350 CGI	E 350 4MATIC	E 500	E 63 AMG	E 200 CDI	E 220 CDI
4,895						
1,854						
2,071						
1,512						
2,874						
1,585						
1,604						
0.30			0.31		0.29	

E 350	E 350 CGI	E 350 4MATIC	E 500	E 63 AMG	E 200 CDI	E 220 CDI
1,770	1,770	1,840	1,850		1,750 <sup>2)</sup> 1,770 <sup>3)</sup>	1,770
2,420	2,420	2,490	2,500		2,500 <sup>2)</sup> 2,520 <sup>3)</sup>	2,520
650						
5						
695						
11.25						
80 9					59 8	

<sup>2)</sup> With manual transmission

<sup>3)</sup> With automatic transmission

## Technical data

	Unit	E 250 CDI	E 350 CDI	E 350 CDI 4MATIC
<b>Dimensions</b>				
Vehicle length	mm	4,895		
Vehicle width (outside mirrors folded in)	mm	1,854		
Vehicle width (outside mirrors folded out)	mm	2,071		
Vehicle height <sup>2)</sup>	mm	1,512		
Wheelbase	mm	2,874		
Front track width	mm	1,585		
Rear track width	mm	1,604		
Coefficient of drag C <sub>d</sub>		0.29	0.31	0.30

	Unit	E 250 CDI	E 350 CDI	E 350 CDI 4MATIC
<b>Dimensions and weights</b>				
Curb weight as per DIN	kg	1,770	1,850	1,915
Permissible gross vehicle weight	kg	2,520	2,500	2,565
Maximum payload	kg	650		
Max. seating capacity		5		
Trunk capacity (with TIREFIT)	l	695		
Turning circle	m	11.25		
Fuel tank including reserve	l	59	80	
	l	8	9	

<sup>2)</sup>Dependent on equipment and engine variant

Interior variants

