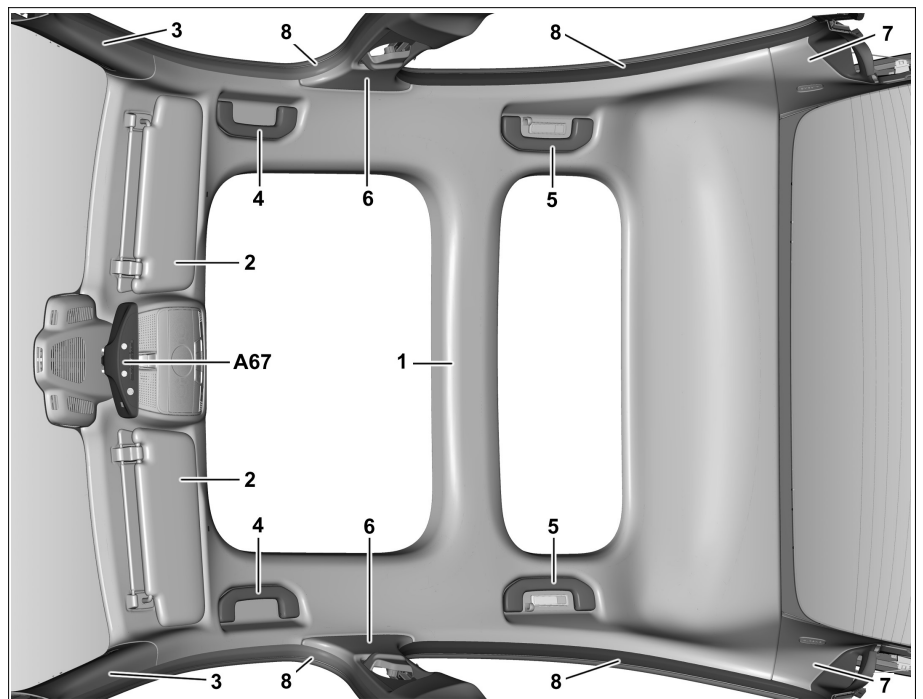


Model 213.0/1

Shown on model 213.0 with code 413  
(Panoramic sliding roof) and except code  
811 (Advanced sound system)

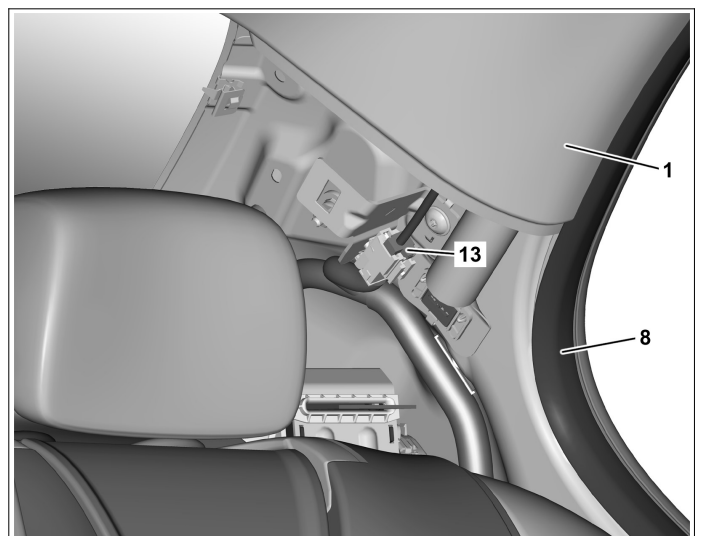
- 1 Headliner
- 2 Sun visor
- 3 A-pillar trim panel
- 4 Front grab handle
- 5 Rear grab of handle
- 6 Upper B-pillar paneling
- 7 C-pillar paneling
- 8 Edge guard
- A67 Inside rearview mirror



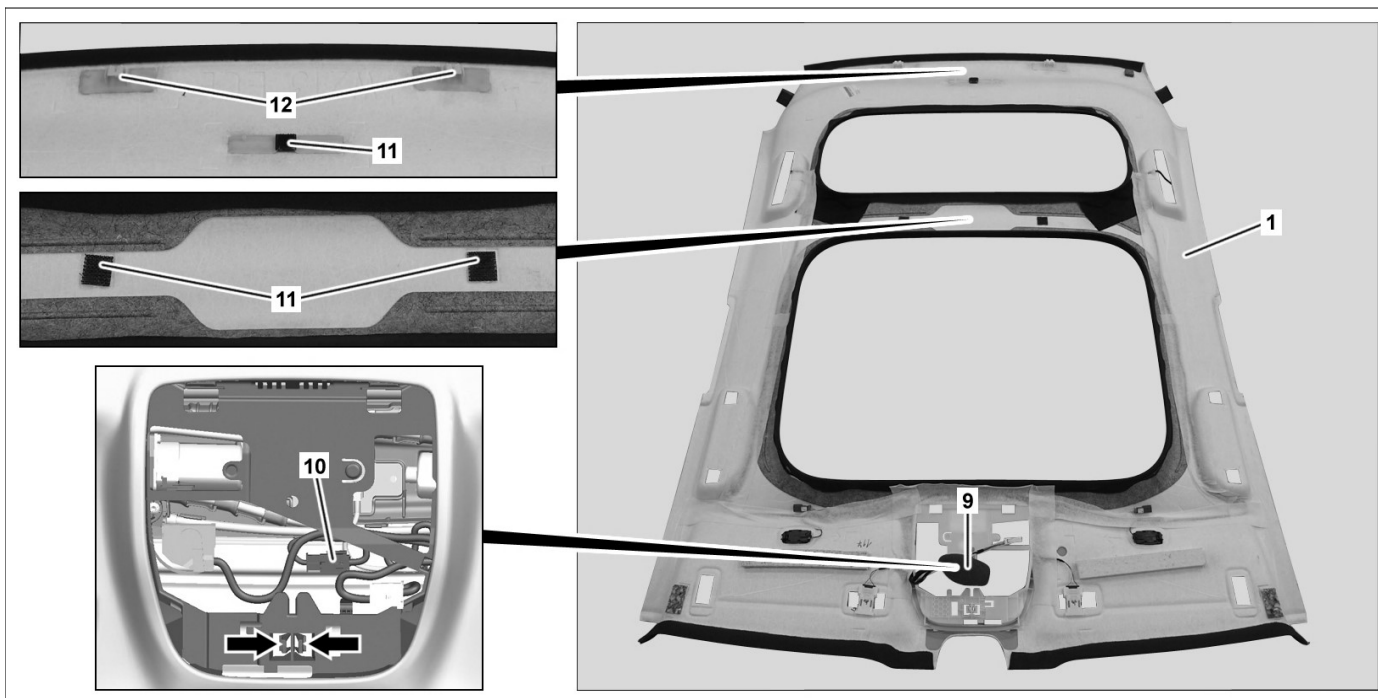
P68.30-3895-06

Shown on model 213.0 with code 811 (Advanced Sound System)

- 1 Headliner
- 8 Edge guard
- 13 Electrical connector



P68.30-3898-11



P68.30-3896-09

Shown on model 213.0 with code 413 (Panoramic sliding roof) and except code 811 (Advanced sound system)

- 1 Headliner
- 9 Foam material
- 10 Electrical connector
- 11 Bracket
- 12 Guide hook

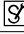



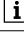
Shown on model 213.0 with code 413 (Panoramic sliding roof) and except code 811 (Advanced sound system)

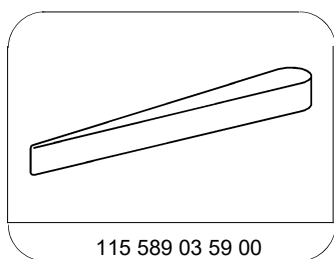
- 1 Headliner



P68.30-3897-11

☒ ☒	Remove/install		
1	Completely open sliding roof lining on sliding roof	Model 213.0/1 with code 414 (Sliding sunroof)	
2	Completely open front roller sun blind and rear roller sun blind on panoramic roof	Model 213.0/1 with code 413 (Automatic panoramic sliding sunroof)	
3	Completely open roller sun blind on rear window	Model 213.0/1 with code 540 (Electric sunblind for rear window)	
4	Remove inside rearview mirror (A67)		AR68.40-P-0001LW
5	Remove sun visors (2)		AR68.60-P-5480NKB
6	Remove paneling from sliding roof frame	Model 213.0/1 with code 414 (Sliding sunroof)	AR77.20-P-0500LW
7	Remove A-pillar trim (3)		AR68.30-P-4050LW
8	Remove front grab handle (4) and rear grab handle (5)		AR68.30-P-4330NKB

9	Remove upper B-pillar paneling (6)		AR68.30-P-4700LW
10	Remove C-pillar paneling (7) and lay down to side with seat belt installed	Model 213.1 Model 213.0	AR68.30-P-4491LWV AR68.30-P-4490LWE
11	Disconnect electrical connection (13)	Model 213.0/1 with code 811 (Advanced sound system)	
12	Slightly fold back foam material (9) and disconnect electrical connector (10)		
13	Remove front seats		AR91.10-P-1000LW
14	Remove center console	Model 213.0 with transmission 716 Model 213.0/1 with transmission 725	AR68.20-P-2000LWA AR68.20-P-2000LWE
15	Remove edge guards (8) from bod flange in area of headliner (1)		
16	Press catch hooks (arrows) together and unclip headliner (1) from front roof frame		
17	Loosen headliner (1) on left and right on sliding roof frame	Model 213.0/1 with code 414 (Sliding sunroof)  Long wedge	*115589035900
18	Detach headliner (1) on brackets (11) from roof bow	 Helper required.	
19	Push headliner (1) toward rear until guide hooks (12) are unhooked from rear roof frame and lay headliner (1) down into vehicle	 Helper required.	
20	Remove headliner (1) through right rear door cutout from vehicle as shown	 Do not bend headliner (1) excessively. Otherwise the headliner (1) can kink and be damaged.  Helper required.	
21	Make sure that all of the soundproofing on the headliner (1) is properly attached and in good condition.	Model 213.0 with code 460 (Canada version) Model 213.0 with code 494 (US version) If the headliner (1) is reused. If complaint present  ↓ Replace the affected soundproofing on the headliner (1).	
22	Prepare new headliner (1) for installation	When replacing roof paneling (1).  Adhesive tape roll, non-woven Tesa tape, 50 meters, 50 mm wide	AR68.30-P-4305-16LWE *BR00.45-Z-1144-02A
23	Install in the reverse order		



115 589 03 59 00

Long wedge

#### Repair materials

Number	Designation	Order number
BR00.45-Z-1144-02A	Adhesive tape roll, non-woven Tesa tape, 50 meters, 50 mm wide	A 008 989 50 85 09