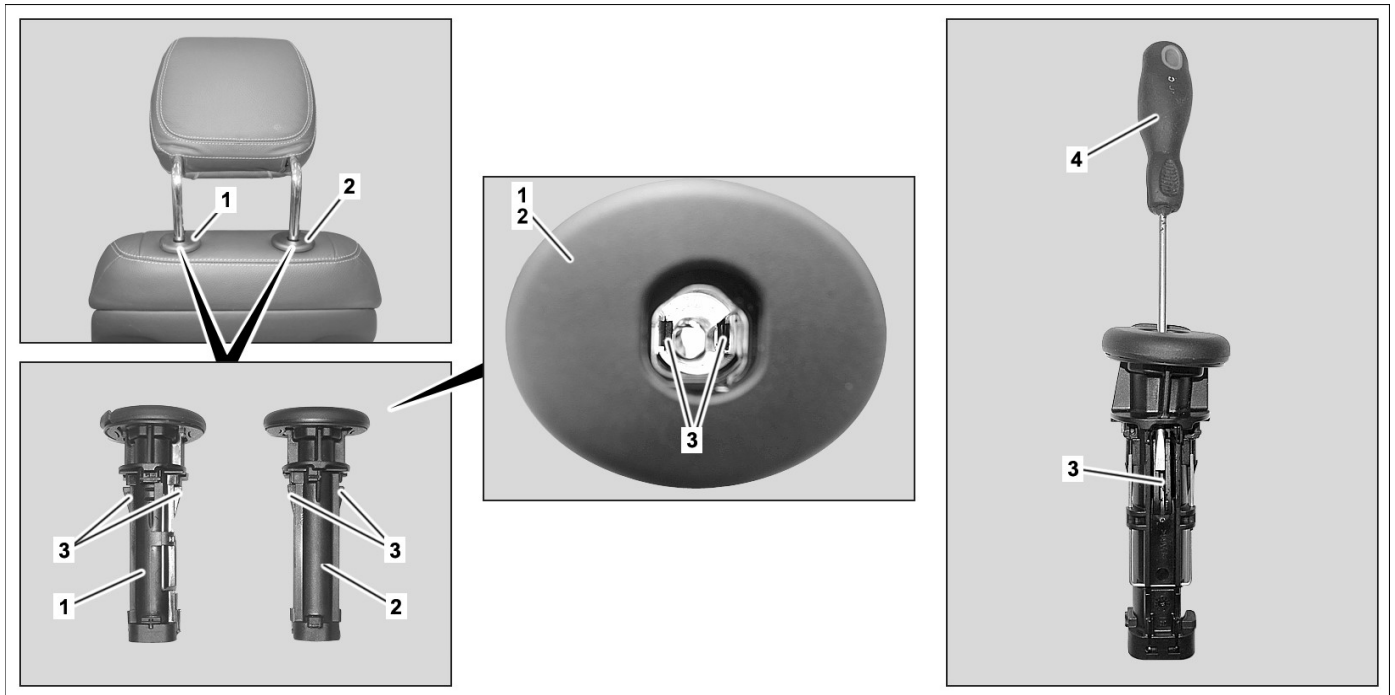


Model 205, 213, 253  
 except code 555 (AMG-Performance Seat)  
 Model 238  
 Model 293



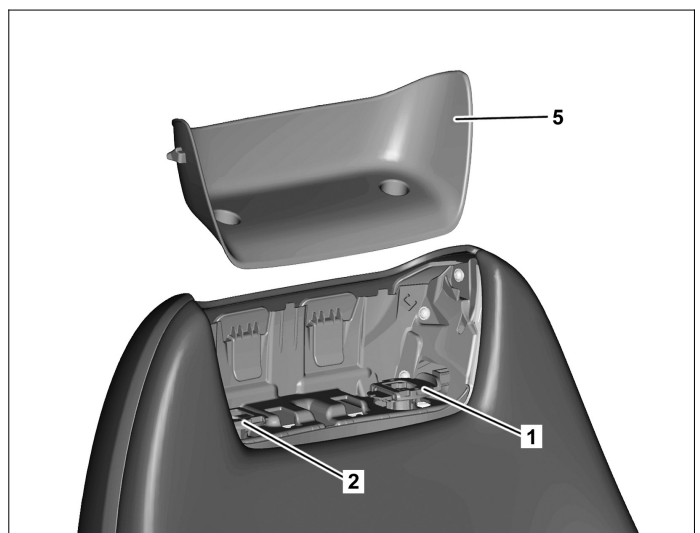
P91.16-3012-09

Shown on model 205.0 except code 555 (AMG Performance seats) and except code 275 (Electrically adjustable driver's seat with memory function)


- 1 Left head restraint guide
- 2 Right head restraint guide
- 3 Catch hook
- 4 Screwdriver



Model 205.3/4 except code 555 (AMG Performance seats), model 238

- 1 Left head restraint guide
- 2 Right head restraint guide
- 5 Cover



P91.16-3129-11

	<b>Remove</b>		
1	Remove head restraint from front seat.		AR91.16-P-0040LW
2	Remove cover (5).	Model 205.3/4 except code 555 (AMG-Performance Seat) Model 238	

3	Operate both catch hooks (3), as shown, using a screwdriver (4) and pull out left head restraint guide (1) or right head restraint guide (2) upwards.		
	<b>Install</b>		
4	Insert left head restraint guide (1) or right head restraint guide (2) into backrest frame from above and latch into place.	 Ensure correct installation position.	
5	Install cover (5).	Model 205.3/4 except code 555 (AMG-Performance Seat) Model 238	
6	Install head restraint at front seat.		<b>AR91.16-P-0040LW</b>