

Mercedes-Benz G-Class



W463
Model Year 2020

*European model shown

Preliminary – Subject to Change

Mercedes-Benz
The best or nothing.





Important note

The information presented in this guide is based on the most current information available and is intended for internal use only. Mercedes-Benz reserves the right to make changes at any time, without notice, to colors, materials, equipment, special specifications and models.

Pricing may not yet be finalized for some models or options.

Due to variances among monitors and printers the colors that appear on your screen and printouts may not be exact.

For illustrative purposes, some images may show vehicles with European Specification.

Revision History

<i>Date</i>	<i>Changes</i>
05/28/2019	First draft of the MY20 G-Class DOG with updated interior offerings



G 550



Models



What's new



Standard Equipment



Exterior Paint Colors



Wheels



Interior Upholstery



Interior Trims



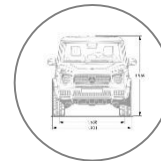
Option Packages



Stand-Alone Options



Options in Detail



Specifications



G 550 (463.261)

- MSRP \$TBA
- 4.0L V8 biturbo engine
- 416 hp
- 450 lb-ft
- Launch date: Fall 2019





Performance & Handling

- 9G-TRONIC 9-Speed Automatic Transmission
- 4.0L V8 biturbo engine (416 hp, 450 lb-ft)
- DYNAMIC SELECT driving programs
- 4MATIC all-wheel drive (40/60 distribution)
- Low-range gear reduction
- Three 100% differential locks
- Independent front axle suspension
- Electric steering rack

Comfort & Convenience

- 3 climate zone rear
- Ambient lighting with 64 colors
- Split rear folding seats (40/60)
- KEYLESS start function
- Laminated safety glass incl. acoustic film
- Leather seats including memory package and seat heating
- New Vehicle key
- COMAND incl. touchpad u. 12,3" central display
- Steering wheel with touch control buttons
- Storage (Double Cupholder front; Bottle holder 4x, trunk)
- 3 years of Mercedes me connect services

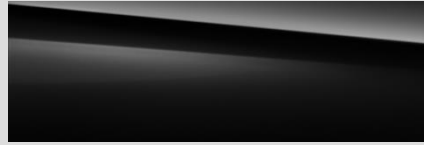
Safety & Security

- Active Brake Assist
- Active Lane Keeping Assist
- Additional Airbags (2x A-pillar, Kneebag)
- ATTENTION ASSIST®
- Multibeam LED high performance headlamps
- PRE-SAFE®
- Traffic Sign Assist
- Active Distance Assist DISTRONIC®





Non-metallic Paints

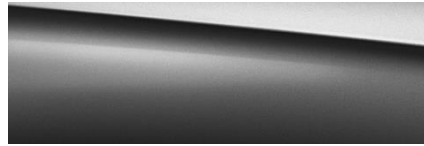


040
Black

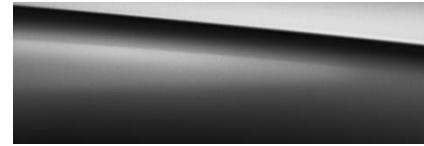


149
Polar white

Metallic Paints



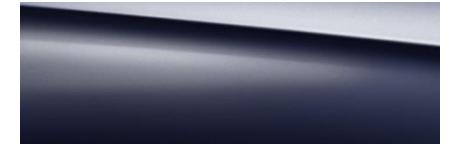
183
Magnetite black



197
Obsidian black



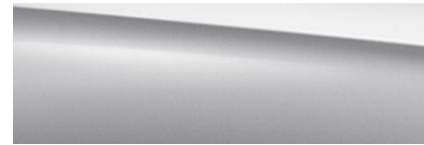
989
Emerald green



890
Lunar blue



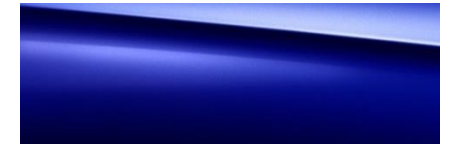
660
Rubellite red



775
Iridium silver



859
Mojave silver



896
Brilliant blue



992
Selenite grey



Exterior Paint Colors



designo Metallic Paints



041
designo graphite metallic
\$2,300



996
designo cardinal red
\$2,300



032
designo mystic blue metallic
\$2,300



799
designo diamond white
metallic
\$2,300



052
designo mystic brown
metallic
\$2,300



046
designo platinum black
metallic
\$2,300

designo Magno Paints

Limited availability



051
designo platinum magno
\$3,950



056
designo night black magno
\$3,950





designo Manufaktur Paints



464
designo desert sand
non-metallic
\$6,500



026
designo sea blue metallic
\$6,500



255
designo olive metallic
\$6,500

designo Manufaktur Magno Paints

Limited availability



271
designo Dakota brown magno
\$6,500



671
designo yellow olive magno
\$6,500





RK3
19" 275/55
*Not available w/ AMG Line
(PL1) or Night Package (NP1)*
Standard



RK2
19" 275/55
*Not available w/ AMG Line
(PL1) or Night Package (NP1)*
No Charge



RK4
20" 275/50
requires AMG Line (321)
Option price AMG Line \$3,470



RG6
20" 275/50
*requires AMG Line & Night
Package (521)*
Option price Night Package \$1,900





<i>Code</i>	<i>Wheel Size</i>	<i>Description</i>	<i>Wheel Dimensions</i>	<i>Mobility</i>	<i>Availability</i>	<i>MSRP</i>
RK2	19"	Twin 5-Spoke Wheels	275/55 R19 on 8.5 J x 19 ET52 (Front) 275/55 R19 on 8.5 J x 19 ET52 (Rear)	R02	Not w/ AMG Line (PL1) or Night Package (NP1)	Std. \$ 0
RK3	19"	8-Spoke Wheels	275/55 R19 on 8.5 J x 19 ET52 (Front) 275/55 R19 on 8.5 J x 19 ET52 (Rear)	R02	Not w/ AMG Line (PL1) or Night Package (NP1)	\$ n/c
RK4	20"	AMG Multi-Spoke Wheels	275/50 R20 on 8.5 J x 20 ET32 (Front) 275/50 R20 on 8.5 J x 20 ET32 (Rear)	R02	Requires AMG line (PL1)	\$
RG6	20"	AMG Multi-Spoke Wheels w/ black accents	275/50 R20 on 8.5 J x 20 ET32 (Front) 275/50 R20 on 8.5 J x 20 ET32 (Rear)	R02	Requires AMG line (PL1) and 521 Night Package	\$

Interior Upholstery – Leather



201

Black

Option price: \$0

Standard



201

Black w/ red stitching

Option price: \$0

Requires AMG Line (DG1)



214

Nut Brown/Black

Option price: \$0



215

Macchiato Beige/Black

Option price: \$0



Interior Upholstery – Nappa Leather



501

Black

Option price \$5,000



501

Black w/ red stitching

Option price: \$0

Requires AMG Line (DG1)



525

Tartufo/Black

Option price \$5,000



535

Macchiato Beige/Black

Option price \$5,000

Requires Exclusive Interior Package (DB2)

Interior Upholstery – *designo* Nappa Leather



801

Black

Option price \$9,950



805

Macchiato Beige/Espresso brown

Option price \$9,950



807

Classic Red/Black

Option price \$9,95

Requires Exclusive Interior Package Plus (DB3)Not Available with L5B Flat Bottom Sport Steering Wheel
Requires PA9 Comfort Seat Package (+\$2,220)**

Interior Upholstery



<i>Code</i>	<i>Upholstery</i>	<i>Seats</i>	<i>Floor Mats</i>	<i>Upper Dash/Lower Dash/Door Panels</i>	<i>Seat Belts</i>	<i>Steering Wheel</i>	<i>Stitching</i>	<i>Headliner</i>
201	Black leather	Black	Black	Black/Black	Black	Black	Medium Grey	Black
201	Black leather w/ red stitching	Black	Black	Black/Black	Red	Black	Red	Black
214	Nut Brown/Black leather	Nut Brown	Black	Black/Black/Nut Brown	Black	Black	Medium Grey	Black
215	Macchiato Beige/Black leather	Macchiato Beige	Black	Black/Black/Macchiato Beige	Black	Black	Silk Beige	Black
501	Black Nappa leather	Black	Black	Black/Black	Black	Black	Medium Grey	Black
501	Black Nappa leather w/ red stitching	Black	Black	Black/Black	Black	Black	Red	Black
525	Tartufo Brown/Black Nappa leather	Tartufo Brown	Black	Black/Black/Tartufo Brown	Black	Black	Black	Black
535	Macchiato Beige/Black Nappa leather	Macchiato Beige	Black	Black/Black/Macchiato Beige	Black	Black	Silk Beige	Black
801	<i>designo</i> Black Nappa leather	Black	Black	Black/Black	Black	Black	Medium Grey	Black
805	<i>designo</i> Macchiato Beige/Espresso Brown Nappa leather	Macchiato Beige	Macchiato Beige	Espresso Brown/Macchiato Beige/Macchiato Beige	Macchiato Beige	Espresso Brown	Silk Beige	Beige
807	<i>designo</i> Classic Red/Black Nappa leather	Classic Red	Black	Black/Classic Red/Classic Red	Black	Black	Red	Black



VA2

Natural Grain Walnut wood trim
Option price: \$0



VA3

Brown Ash wood trim
Option price: \$0



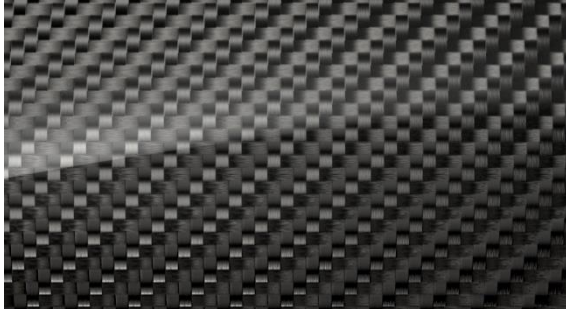
VA4

Light Brown Zen wood trim
Option price: \$0



VA5

Metal Weave trim
Option price: \$0



ZG6

AMG Carbon Fiber trim
Option price: \$3,700



VA1

designo Natural Grain Black-Flamed Ash
wood trim
Option price: \$1,300



ZG2

designo Black Piano Lacquer trim
Option Price: \$800

Interior Trims – Center Console Trim



VA2

Natural Grain Walnut wood trim



VA3

Brown Ash wood trim



VA4

Light Brown Zen wood trim



VA5

Metal Weave trim



ZG6

AMG Carbon Fiber trim



VA1

designo Natural Grain Black-Flamed Ash wood trim



ZG2

designo Black Piano Lacquer trim



<i>Code</i>	<i>Packages</i>	<i>MSRP</i>
PA9	Seat Comfort Package (listed as stand alone option PA9) <ul style="list-style-type: none"> 432 Multi-contour Seat with Energizing Massage 432 Driving Dynamic Function 902 Rapid Heating Seats 401 Ventilated Seats 	\$ 2,220
DG1	AMG Line (deletion of red Seat Belts/Red Stitching available) <ul style="list-style-type: none"> 20" AMG Wheels, Side Strips, Wheel Arches, Brakes, Exhaust AMG Steering Wheel, Floor Mats, Red Seat Belts(201/501 Leathers only), Red Stitching(201/501 Leathers only) 	\$ 3,470
DC1	Night Package (requires 321 AMG Line Exterior) <ul style="list-style-type: none"> Exteriors Mirrors Painted in Obsidian Black, Side Strips in High Gloss Black Spare Wheel Cover in Obsidian Black, 20" AMG Bi-Color Wheels, Bullbar painted in black <p>N/A with the following paints; 040 Black, 183 Magnetite Black Metallic, and 046 <i>designo</i> Platinum Black Metallic</p>	\$ 1,900
DB2	Exclusive Interior Package (only i.c.w. 5xx Series Leather) <ul style="list-style-type: none"> F75 Frameless Rearview Mirror FH2 <i>designo</i> DINAMICA Headliner SR1 Exclusive Interior Package 	\$ 5,000/ 5,400
DB3	Exclusive Interior Package Plus (only i.c.w. 8xx Series Leather) <ul style="list-style-type: none"> F75 Frameless Rearview Mirror FH2 <i>designo</i> DINAMICA Headliner SR2 Exclusive Interior Package Plus JC8 Nappa Leather Dashboard PA9 Seat Comfort Package (available as stand alone option PA9) S81 Diamond Stitching VP4 <i>designo</i> floor mats 	\$ 12,200

Stand-Alone Options



<i>Code</i>	<i>Options</i>	<i>MSRP</i>
A20	Suspension with Adaptive Damping Adjustment	\$ 1,400
PA2	All Season Floor Mats	\$ 200
LH1	Heated Steering Wheel (only i.c.w round steering wheel, not i.c.w L5B flat bottom sport steering wheel)	\$ 250
J25	12.3" Widescreen Instrument Cluster	\$ 850

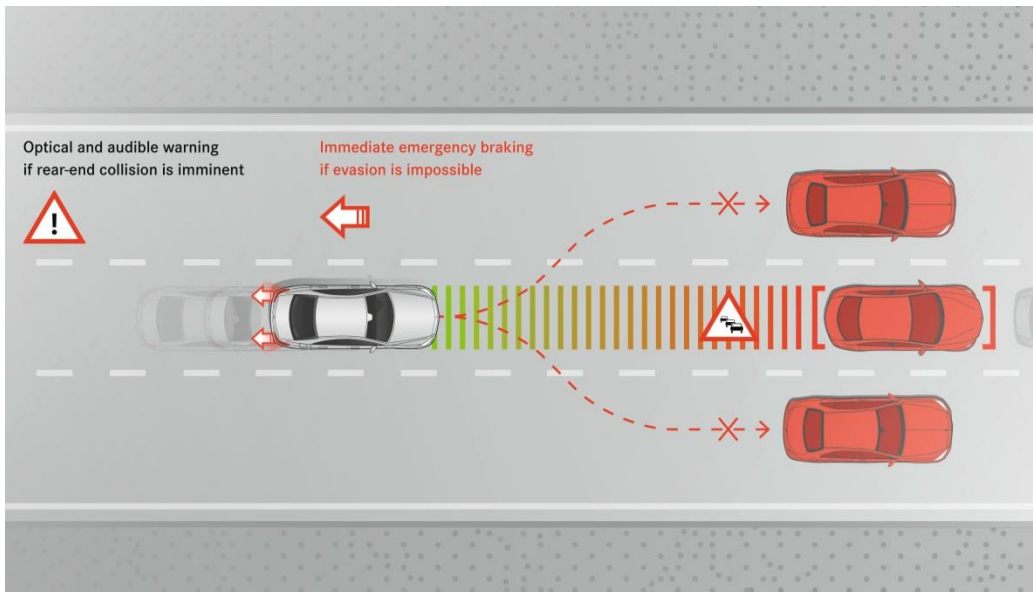
Active Brake Assist



Active Brake Assist

Standard on all models

- Radar-based driving assistance system that can help prevent accidents with vehicles ahead and with crossing pedestrians or mitigate the consequences of accidents
- Combination of proximity warning, collision warning, on-demand braking assistance and autonomous braking function
- Additional audible warning if the distance diminishes rapidly
- If the driver initiates emergency braking – if necessary – increase in braking pressure by the on-demand braking assistance
- Initiation of autonomous braking if the driver fails to react
- Visual and audible warning plus almost simultaneous emergency braking if an impending collision with a **crossing pedestrian** is detected

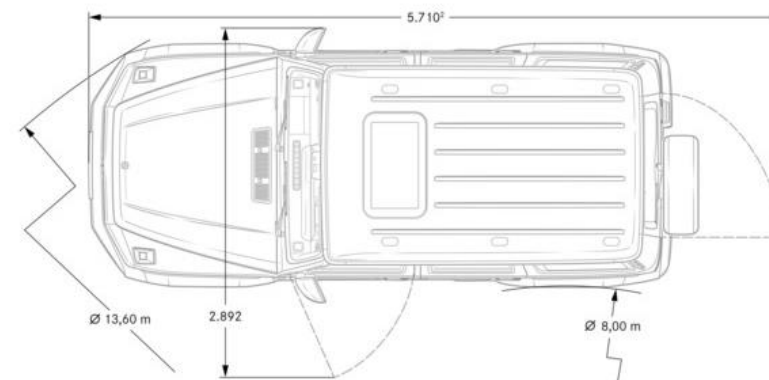
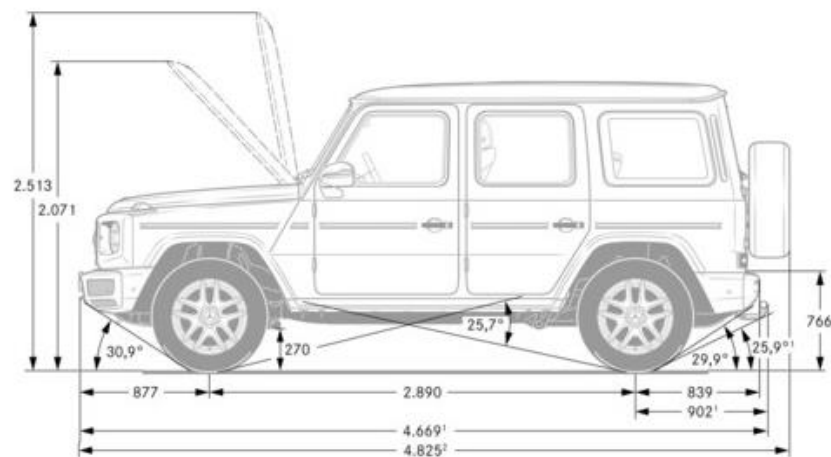
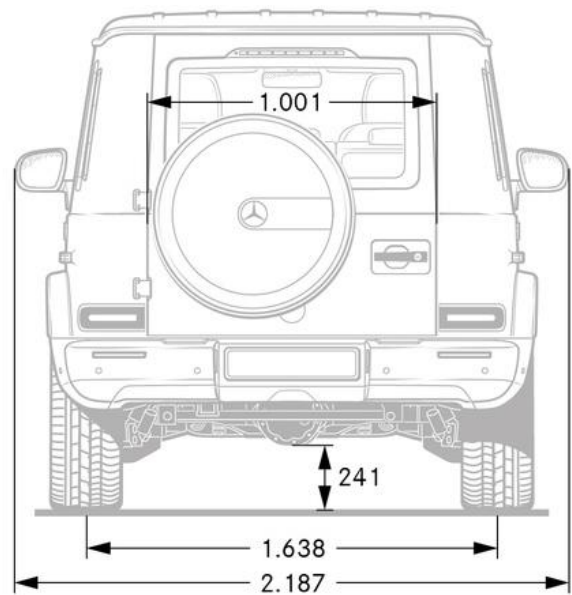
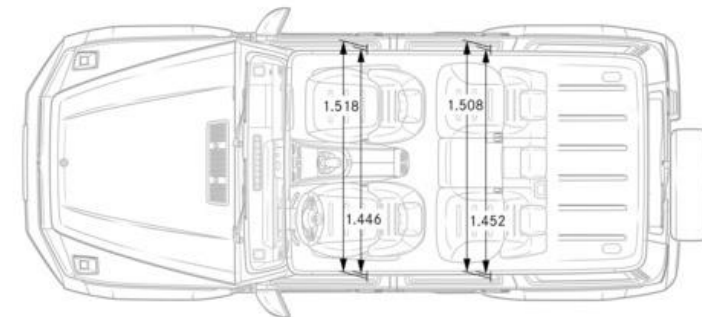
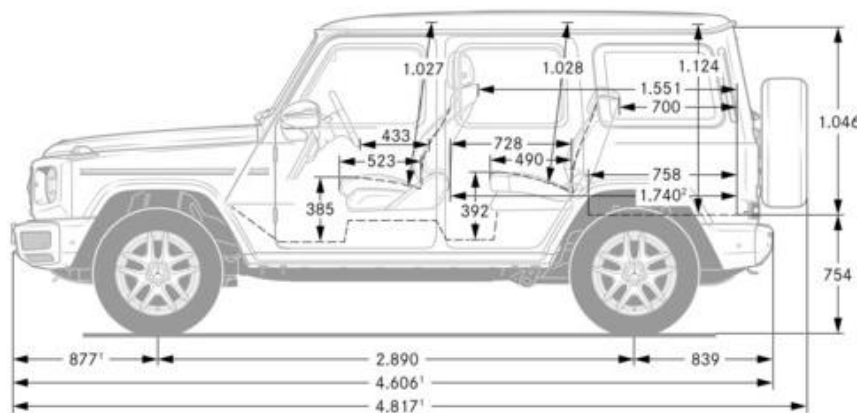
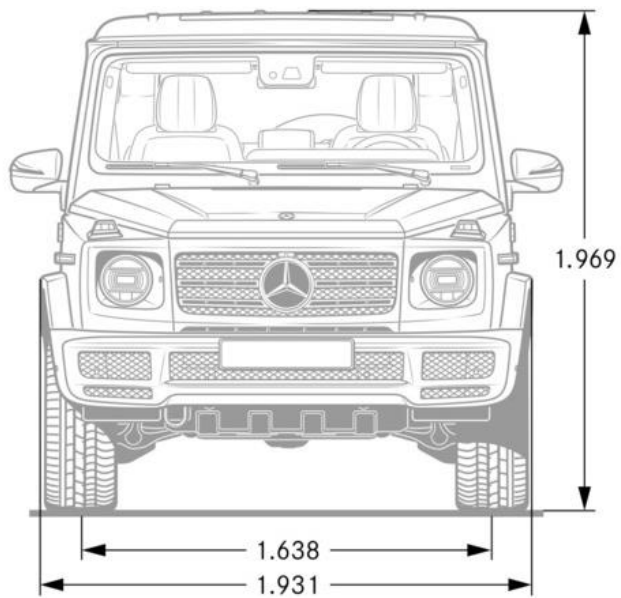




	G 550
Engine Configuration	4.0L V8 biturbo engine
Power (hp)	416
Torque (lb-ft)	354
Displacement (cc)	3,982
Acceleration 0-60 mph (sec)	TBA
Fuel Economy (Cty/Hwy/Comb)	TBA
Top Speed (mph)	130
Fuel Requirement (Octane)	91
Compression	10.5:1
Transmission	9G-TRONIC 9-Speed Automatic Transmission
Transmission Speeds	9
Drive Configuration	All-wheel drive
Fuel Tank Size (gallons)	26.4
Trunk Size (cubic feet)	TBA
Curb Weight (lbs)	TBA
Maximum Load (lbs)	TBA
Vehicle Length (in.)	189.65
Vehicle Width w/ exterior mirrors (in.)	85.71
Vehicle Height (in.)	77.17
Wheelbase (in.)	113.78
Track Width Front/Rear (in.)	64.49
Towing Capacity (lbs)	



Specifications* – G 550



Mercedes-AMG G-Class SUV



W463

Model year 2019

Preliminary and Subject to Change

AMG
DRIVING PERFORMANCE

AMG G 63



Models



What's new



Standard Equipment



Exterior Paint Colors



Wheels



Interior Upholstery



Interior Trims



Option Packages



Stand-Alone Options



Options in Detail



Build Recommendations



Specifications



G63 (463.277)

- MSRP \$TBA
- Handcrafted AMG 4.0L V8 Biturbo engine
- 577 hp
- 627 lb-ft
- 4.5 sec (0-60 mph)
- Launch date: Q4 2019

Performance & Handling

- Handcrafted AMG 4.0L V8 Biturbo Engine
- AMG SPEEDSHIFT TCT 9G-Tronic Automatic Transmission
- AMG DYNAMIC SELECT with 5 Drive Modes & 3 Additional Off-road Modes
- Permanent All-Wheel Drive (40:60 Distribution)
- Independent Suspension for the Front Axle
- AMG High-Performance Braking System
- AMG Performance Exhaust with switchable flap system
- 2-Speed Transfer Case (Low Range)
- 3 Independent Differential Locks
- Electric steering rack

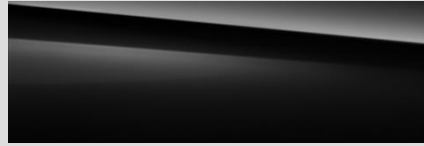
Comfort & Convenience

- AMG Ride Control sports suspension with adjustable damping
- Newly designed Sunroof
- 3-Zone Climate Control
- Heated front and rear seats
- COMAND® Navigation incl. touchpad 12.3" central display
- AMG Performance Steering Wheel in Nappa Leather
- KEYLESS START function
- Burmester® Surround Sound System
- Split-Folding 2nd Row Seat
- Rain-Sensing wipers (front and rear)
- Steering wheel with touch control buttons
- Storage (Double Cupholder front; Bottle holder 4x, trunk)
- 64-color Ambient Lighting
- 3 years of Mercedes me connect services

Safety & Security

- Advanced Airbag Protection System
- Anti-Theft Protection Package
- Active Distance Assist DISTRONIC®
- Blind Spot Assist
- LATCH/ISOFIX tether anchors (all rear seats)
- Active Brake Assist
- Traffic Sign Assist
- eCall Emergency System
- Parking Assist PARKTRONIC
- Active Lane Keeping Assist
- Additional Airbags (2x A-pillar, Kneebag)
- ATTENTION ASSIST®
- Electronic Stability Program (ESP®) w/ trailer stabilization
- Rearview Camera
- PRE-SAFE®
- LED Intelligent Light System
- LED Daytime Running Lamps

Non-metallic Paints

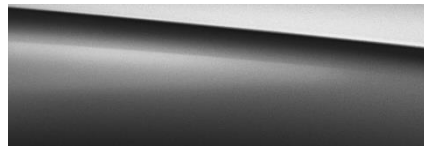


040
Black

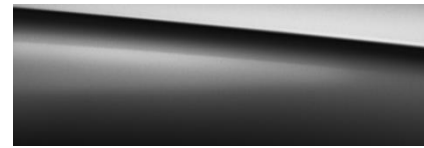


149
Polar white

Metallic Paints



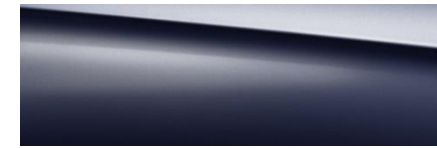
183
Magnetite black



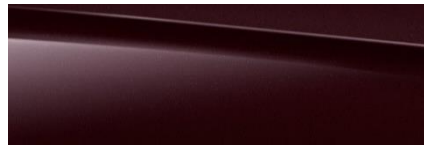
197
Obsidian black



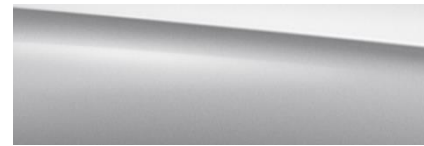
989
Emerald green



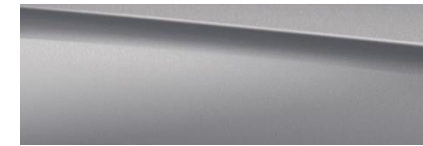
890
Lunar blue



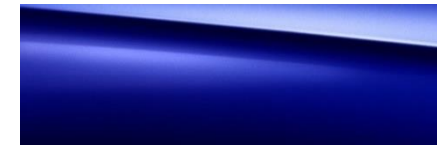
660
Rubellite red



775
Iridium silver



859
Mojave silver

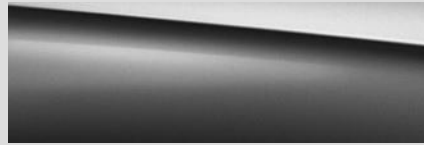


896
Brilliant blue



992
Selenite grey

designo Metallic Paints



041
designo graphite metallic
\$2,300



996
designo cardinal red
\$2,300



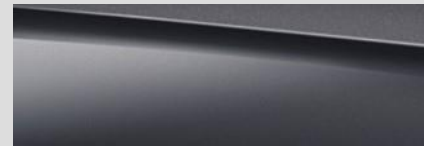
032
designo mystic blue metallic
\$2,300



799
designo diamond white metallic
\$2,300



052
designo mystic brown metallic
\$2,300



046
designo platinum black metallic
\$2,300

designo Magno Paints

Limited availability



051
designo platinum magno
\$3,950



056
designo night black magno
\$3,950

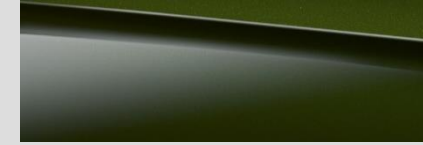
designo Manufaktur Paints



464
designo desert sand
non-metallic
\$6,500



026
designo sea blue metallic
\$6,500



255
designo olive metallic
\$6,500

designo Manufaktur Magno Paints

Limited availability



271
designo Dakota brown magno
\$6,500



671
designo yellow olive magno
\$6,500



RG1
20" AMG 10-Spoke Wheels
w/ Grey Accents
Standard, Option price \$0



RG2
21" AMG Twin 5-Spoke Wheels
w/ Grey Accents
Option price: \$1,000



RG4
22" AMG Cross-Spoke Forged
Wheels, Matte Black
Option price: \$4,450



RG5
22" AMG Cross-Spoke
Forged Wheels
Option price: \$3,950

<i>Code</i>	<i>Wheel Size</i>	<i>Description</i>	<i>Wheel Dimensions</i>	<i>Mobility</i>	<i>Availability</i>	<i>MSRP</i>
RG1	20"	AMG 10-Spoke Wheels	275/50 R20 on 9.5 J x 20 ET 35 (Front) 275/50 R20 on 9.5 J x 20 ET 35 (Rear)	R02	Standard Not w/ AMG Night Packages (DC1/DE9)	\$ 0
RG2	21"	AMG Twin 5-Spoke Wheels	285/45 R21 on 10 J x 21 ET 33 (Front) 285/45 R21 on 10 J x 21 ET 33 (Rear)	R02	Not w/ AMG Night Packages (DC1/DE9)	\$ 1,000
RG4	22"	AMG Cross-Spoke Wheels, Matte Black	295/40 R22 on 10 J x 22 ET 36 (Front) 295/40 R22 on 10 J x 22 ET 36 (Rear)	R01	Requires AMG Night Packages (DC1/DE9)	\$ 4,450
RG5	22"	AMG Cross-Spoke Wheels	295/40 R22 on 10 J x 22 ET 36 (Front) 295/40 R22 on 10 J x 22 ET 36 (Rear)	R01	Not w/ AMG Night Packages (DC1/DE9)	\$ 3,950

Interior Upholstery – Nappa Leather



501
Black
Standard



525
Tartufo Brown/Black
Option price: \$0



535
Macchiato Beige / Black
Option price: \$0

Interior Upholstery – Exclusive Nappa Leather



801

Black

Option price: \$0

Requires Exclusive Interior Package Plus (DB3)



805

Macchiato Beige/Espresso Brown

Option price: \$0

Requires Exclusive Interior Package Plus (DB3)



807

Classic Red/Black

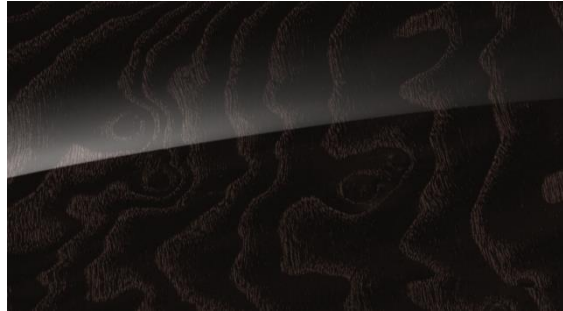
Option price: \$0

Requires Exclusive Interior Package Plus (DB3)



VA2

Natural Grain Walnut wood trim
Option price: \$0



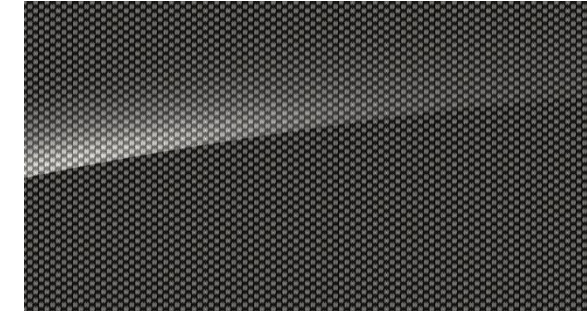
VA3

Brown Ash wood trim
Option price: \$0



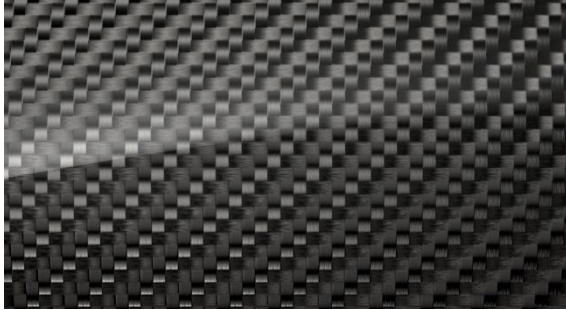
VA4

Light Brown Zen wood trim
Option price: \$0



VA5

Metal Weave trim
Option price: \$0



ZG6

AMG Carbon Fiber trim
Option price: \$3,700



VA1

designo Natural Grain Black-Flamed Ash
wood trim
Option price: \$1,300



ZG2

designo Black Piano Lacquer trim
Option Price: \$800

Interior Trims – Center Console Trim



VA2

Natural Grain Walnut wood trim



VA3

Brown Ash wood trim



VA4

Light Brown Zen wood trim



VA5

Metal Weave trim



ZG6

AMG Carbon Fiber trim



VA1

designo Natural Grain Black-Flamed Ash wood trim



ZG2

designo Black Piano Lacquer trim



<i>Code</i>	<i>Packages</i>	<i>MSRP</i>
PA9	Seat Comfort Package <ul style="list-style-type: none"> ▪ Active Multicontour Front Seats with Massage and Driving Dynamic Function ▪ Rapid Heating Seats ▪ Ventilated Seats 	\$ 2,220
DB3	Exclusive Interior Package Plus (only i.c.w. 8xx Series Leather) <ul style="list-style-type: none"> ▪ SR2 Exclusive Interior Package Plus ▪ JC8 Nappa Leather Dashboard ▪ PA9 Seat Comfort Package ▪ S81 Diamond Stitching 	\$ 7,200
DC1	AMG Night Package <i>Not available w/ the following paints:, Black (040), designo Platinum Black (046), Magnetite Black (183)</i> <ul style="list-style-type: none"> ▪ Exteriors Mirrors Painted in Obsidian Black ▪ Brush Guard in Black ▪ Spare Wheel Ring and Trim Bumper Elements Painted in Obsidian Black ▪ Underguard in Black <p>Must choose from the following wheels:</p> <ul style="list-style-type: none"> ▪ RG4 - 22" AMG Cross-Spoke Forged Wheels, Matte Black 	\$ 1,800
DA3	Parking Package <ul style="list-style-type: none"> ▪ Parking Assist PARKTRONIC with 360° Camera 	\$ 400

<i>Code</i>	<i>Options</i>	<i>MSRP</i>
B14	AMG Carbon Fiber Engine Cover	\$ 1,500
PA2	All Season Floor Mats	\$ 200
L6H	AMG Performance Steering Wheel in DINAMICA/Carbon Fiber	\$ 900
L6K	AMG Performance Steering Wheel in Nappa/DINAMICA	\$ 500
L6L	AMG Performance Steering Wheel in Wood/Leather	\$ 600
LH1	Heated Steering Wheel	\$ 250
J25	12.3" Widescreen Instrument Cluster	\$ 850
Z10	AMG Top Speed Delimiter (increases top speed to 149mph)	\$ 2,200

Steering Wheel



AMG Performance Steering Wheel in Black Nappa Leather (VL9)

Standard

- 3-spoke design, with flattened bottom section, perforated in the grip area, with integral AMG logo.
- Integral Touch Control buttons make for excellent operating ergonomics, inputs are accompanied by acoustic feedback.
- The steering wheel shift paddles allow manual gear changes and support a sporty driving style



AMG Performance Steering Wheel DINAMICA /Carbon Fiber (L6H)

Option price: \$900

only i.c.w. ZG2 design black piano lacquer trim or ZG6 carbon fiber trim

- For an even better grip during sporty maneuvers, the grip area on the AMG Performance steering wheel in carbon fiber is finished in DINAMICA microfiber.
- The sporty design is completed by silver-colored aluminum shift paddles and a 12-o'clock marking.



AMG Performance Steering Wheel in Leather/Wood (L6L)

Option price: \$600

only i.c.w. ZG2 design black piano lacquer trim or ZG6 carbon fiber trim

- The combination of high-quality leather in the grip area and fine wood inserts at the top and bottom make this steering wheel a visual and tactile highlight.



AMG Performance Steering Wheel in Nappa leather /DINAMICA (L6K)

Option price: \$500

*only i.c.w. VA1 **designo** Black Flamed Open-Pore Ash Wood, ZG2 design black piano lacquer trim, VA5 metal weave trim or ZG6 carbon fiber trim*

- 3-spoke design, with flattened bottom section, perforated in the grip area, steering wheel trim in electroplated silver chrome with integral AMG logo

Brakes



- AMG Red Painted Brake Calipers (BS2)
- Standard on AMG G63; n/a for G550
- The red-painted brake calipers visually accentuate the high performance of the braking system



- AMG Silver Painted Brake Calipers (BS1)
- Optional for AMG G63; n/a for G550
- N/C
- The silver-painted brake calipers visually accentuate the high performance of the braking system

	<i>AMG G 63</i>
Engine Configuration	4.0L V8 biturbo engine
Power (hp)	577
Torque (lb-ft)	627
Displacement (cc)	3,982
Acceleration 0-60 mph (sec)	4.4 seconds
Fuel Economy (Cty/Hwy/Comb)	TBA
Top Speed (mph)	137 / 149 (w/ drivers package)
Fuel Requirement (Octane)	91
# Valves per cylinder	4
Compression	8.6:1
Transmission	AMG SPEEDSHIFT TCT 9G
Transmission Speeds	9
Drive Configuration	All-wheel drive
Fuel Tank Size (gallons)	26.4
Trunk Size (cubic feet)	TBA
Curb Weight (lbs)	TBA
Vehicle Length (in.)	191.9
Vehicle Width w/ exterior mirrors (in.)	86.1
Vehicle Height (in.)	77.4
Wheelbase (in.)	113.8

Specifications* – AMG G63

