

2023 S-Class Sedan Order Guide



Table of Contents

1	General Information
2	What's New
3	Models
4	Equipment
4.1	Standard Equipment
4.2	Exterior Paint Colors
4.3	Wheels
4.4	Interior Upholstery
4.6	Interior Trims
4.7	Lines & Packages
4.8	Options
4.9	Specifications
5	Options In Detail
6	Gallery



General Information

Important Note

The information presented in this guide is based on the most current information available and is intended for internal use only. Mercedes-Benz reserves the right to make changes at any time, without notice, to colors, materials, equipment, special specifications and models.

Pricing may not yet be finalized for some models or options.

Due to variances among monitors and printers the colors that appear on your screen and printouts may not be exact.

For illustrative purposes, some images may show vehicles with European Specification.

Revision History

Date	Description
01/06/2023	UPDATE: MANUFAKTUR Exclusive Interior Package DD6 is constraint and under limited availability for the remainder of Calendar Year 2023
08/08/2022	UPDATE: Option Code 201- 4.5 Rear Axle Steering and Code 216-10 Degree Rear Axle Steering under Constraint until Q4 2022
06/23/2022	UPDATE: DB7- MBUX Rear Entertainment System Package is available again when ordering DX2- Executive Line
06/22/2022	UPDATE: MANUFAKTUR Signature Paints (032 - MANUFAKTUR Mystic Blue Metallic, 041 - MANUFAKTUR Graphite Metallic, 056 - MANUFAKTUR Night Black Magno, 190 - MANUFAKTUR Graphite Grey Solid, 255 - MANUFAKTUR Olive Metallic, 677 - MANUFAKTUR Kalahari Gold Magno, 934 - MANUFAKTUR China Blue Solid) are under constraint for the remainder of Calendar Year 2022
06/10/2022	UPDATE: New MANUFAKTUR Upholsteries and MANUFAKTUR Paints available for ordering.
03/30/2022	Publish DOG



What's New

S500V4



Paints

- MANUFAKTUR China Blue Solid
- MANUFAKTUR Graphite Metallic
- MANUFAKTUR Kalahari Gold Magno
- MANUFAKTUR Olive Metallic
- MANUFAKTUR Graphite Grey Solid
- MANUFAKTUR Mystic Blue Metallic
- MANUFAKTUR Night Black Magno

Upholstery

- MANUFAKTUR Pastel Yellow / Black
- MANUFAKTUR Yacht Blue / Black
- MANUFAKTUR Truffle Brown / Black
- MANUFAKTUR Nut Brown / Black
- MANUFAKTUR Deep White / Black

Packages

- MANUFAKTUR Exclusive Interior

S580V4



Paints

- MANUFAKTUR China Blue Solid
- MANUFAKTUR Graphite Metallic
- MANUFAKTUR Kalahari Gold Magno
- MANUFAKTUR Olive Metallic
- MANUFAKTUR Graphite Grey Solid
- MANUFAKTUR Mystic Blue Metallic
- MANUFAKTUR Night Black Magno

Upholstery

- MANUFAKTUR Pastel Yellow / Black
- MANUFAKTUR Yacht Blue / Black
- MANUFAKTUR Truffle Brown / Black
- MANUFAKTUR Nut Brown / Black
- MANUFAKTUR Deep White / Black

Packages

- MANUFAKTUR Exclusive Interior

S580e4



Paints

- MANUFAKTUR China Blue Solid
- MANUFAKTUR Kalahari Gold Magno
- MANUFAKTUR Night Black Magno
- MANUFAKTUR Mystic Blue Metallic
- MANUFAKTUR Graphite Grey Solid
- MANUFAKTUR Olive Metallic
- MANUFAKTUR Graphite Metallic

Upholstery

- MANUFAKTUR Pastel Yellow / Black
- MANUFAKTUR Yacht Blue / Black
- MANUFAKTUR Deep White / Black
- MANUFAKTUR Nut Brown / Black
- MANUFAKTUR Truffle Brown / Black

Options

- Direct Current Charging System (DC charging)

Packages

- MANUFAKTUR Exclusive Interior



MY23 Product Changes

What's new on the S-Class from MY23

- Introduction of S 580e 4MATIC
 - New GEN4 Plug-In Hybrid Technology
 - 3.0 L I-6 Engine with Mild Hybrid Technology that produces 362 hp paired with an Electric Motor with an output of 148 hp for a combined 510 hp
 - Electric Range of up to 62 Miles WLTP (EPA Figures not available yet)
 - Standard AC charging
 - DC charging available as optional equipment
 - Available in (DX0) Luxury Line, (DX1) AMG Line and (DX2) Executive Line

At a Glance

Standard AC Charging Capacity 11 kW

AC Charging Time 10%-100% 2.25 H

Optional DC Charging Capacity 60 kW

DC Charging Time 10%-80% 20 min



Models



S500V4 (223.163)

- MSRP: TBD
- Transmission: 9G-TRONIC 9-Speed Automatic Transmission
- Acceleration 0-60pmg (sec): 4.9
- Engine Configuration: 3.0L Inline-6 Turbo Mild-Hybrid Engine
- ICE Power (hp): 429 hp
- Torque (lb-ft): 384 lb-ft
- Launch Date: Second Half of 2022



S580V4 (223.176)

- MSRP: TBD
- Transmission: 9G-TRONIC 9-Speed Automatic Transmission
- Acceleration 0-60pmg (sec): 4.4
- Engine Configuration: 4.0L V8 Biturbo engine with Mild-Hybrid
- ICE Power (hp): 496 hp
- Torque (lb-ft): 516 lb-ft
- Launch Date: Second Half of 2022



S580e4 (223.169)

- MSRP: TBD
- Transmission: 9G-TRONIC 9-Speed Automatic Transmission
- Acceleration 0-60pmg (sec): TBD
- Engine Configuration: 3.0L Inline-6 Turbo Plug-In Hybrid Engine
- ICE Power (hp): 510 hp Combined 362 hp (ICE) 148 hp from Electric Motor
- Torque (lb-ft): 369 lb-ft
- Launch Date: Late 2022



Standard Equipment

S500V4



Performance & Handling

- 9G-TRONIC 9-speed Automatic Transmission
- DYNAMIC SELECT
- AIRMATIC Air Suspension
- ECO Start/Stop System

Comfort & Convenience

- Powered, Rapid-Heated, and Ventilated Front Seats with Massaging Feature, 4-Position Memory, and Lumbar Support
- Power Rear-Window Sunshade and Powered Side Rear Sunshades
- 12.3" Digital Instrument Cluster
- Garage Door Opener
- 12.8" OLED Touchscreen Center Display
- Fingerprint Sensor
- Illuminated Door Sill Panels
- Power-Folding Mirrors
- KEYLESS-GO with Seamless Door Handles
- Dual-Zone Automatic Climate Control
- Soft Close Doors
- "Hey Mercedes" Voice Control
- Heat Insulating, Noise Insulating, and Infrared-Reflecting Laminated Glass
- Active Parking Assist
- Double Front Sunvisors
- MBUX Interior Assistant Front
- MBUX with Navigation and "Hey Mercedes" Voice Control
- Panorama Roof
- Augmented Video for Navigation
- Wireless Charging Front
- Wireless Smartphone Integration (Apple Carplay, Android Auto™)
- KEYLESS Start
- Front LED Logo Projectors
- 8 USB-C Ports (4 Front, 4 Rear) and 115V Power Supply (Rear)
- Burmester® 3D Surround Sound System with Sound Personalization
- Leather Upholstery
- Electronic Trunk Closer
- SiriusXM Radio with Free Trial Period
- Air Balance Package
- Toll Gate Transponder
- Online Music Streaming
-

Safety & Security

- LED Intelligent Light System
- Mercedes-Benz eCall Emergency System
- Antitheft Alarm System
- Surround View Camera
- Driver Assistance Package
- Auto-Dimming Mirrors
- MAGIC VISION CONTROL
- PRE-SAFE Impulse Side
- Dash Camera



Performance & Handling

- 9G-TRONIC 9-speed Automatic Transmission
- DYNAMIC SELECT
- AIRMATIC Air Suspension
- ECO Start/Stop System

Comfort & Convenience

- Powered, Rapid-Heated, and Ventilated Front Seats with Massaging Feature, 4-Position Memory, and Lumbar Support
- Power Rear-Window Sunshade and Powered Side Rear Sunshades
- 12.3" Digital Instrument Cluster
- Garage Door Opener
- 12.8" OLED Touchscreen Center Display
- Fingerprint Sensor
- Illuminated Door Sill Panels
- Power-Folding Mirrors
- KEYLESS-GO with Seamless Door Handles
- Dual-Zone Automatic Climate Control
- Soft Close Doors
- "Hey Mercedes" Voice Control
- Heat Insulating, Noise Insulating, and Infrared-Reflecting Laminated Glass
- Active Parking Assist
- Double Front Sunvisors
- 77B MBUX Interior Assistant- Front
- MBUX with Navigation and "Hey Mercedes" Voice Control
- Panorama Roof
- Augmented Video for Navigation
- Wireless Charging Front
- Wireless Smartphone Integration (Apple Carplay, Android Auto™)
- KEYLESS Start
- Front LED Logo Projectors
- 8 USB-C Ports (4 Front, 4 Rear) and 115V Power Supply (Rear)
- Burmester® 3D Surround Sound System with Sound Personalization
- Nappa Leather Upholstery
- Electronic Trunk Closer
- SiriusXM Radio with Free Trial Period
- Air Balance Package
- Toll Gate Transponder
- Online Music Streaming

Safety & Security

- LED Intelligent Light System
- Mercedes-Benz eCall Emergency System
- Antitheft Alarm System
- Surround View Camera
- Driver Assistance Package
- Auto-Dimming Mirrors
- MAGIC VISION CONTROL
- PRE-SAFE Impulse Side
- Dash Camera



Performance & Handling

- 9G-TRONIC 9-speed Automatic Transmission
- DYNAMIC SELECT
- AIRMATIC Air Suspension
- ECO Start/Stop System

Comfort & Convenience

- Powered, Rapid-Heated, and Ventilated Front Seats with Massaging Feature, 4-Position Memory, and Lumbar Support
- Power Rear-Window Sunshade and Powered Side Rear Sunshades
- 12.3" Digital Instrument Cluster
- Garage Door Opener
- 12.8" OLED Touchscreen Center Display
- Fingerprint Sensor
- Illuminated Door Sill Panels
- Power-Folding Mirrors
- KEYLESS-GO with Seamless Door Handles
- Dual-Zone Automatic Climate Control
- Soft Close Doors
- "Hey Mercedes" Voice Control
- Heat Insulating, Noise Insulating, and Infrared-Reflecting Laminated Glass
- Active Parking Assist
- Double Front Sunvisors
- 77B MBUX Interior Assistant- Front
- MBUX with Navigation and "Hey Mercedes" Voice Control
- Panorama Roof
- Augmented Video for Navigation
- Wireless Charging Front
- Wireless Smartphone Integration (Apple Carplay, Android Auto™)
- KEYLESS Start
- Front LED Logo Projectors
- 8 USB-C Ports (4 Front, 4 Rear) and 115V Power Supply (Rear)
- Burmester® 3D Surround Sound System with Sound Personalization
- Nappa Leather Upholstery
- Electronic Trunk Closer
- SiriusXM Radio with Free Trial Period
- Air Balance Package
- Toll Gate Transponder
- Online Music Streaming

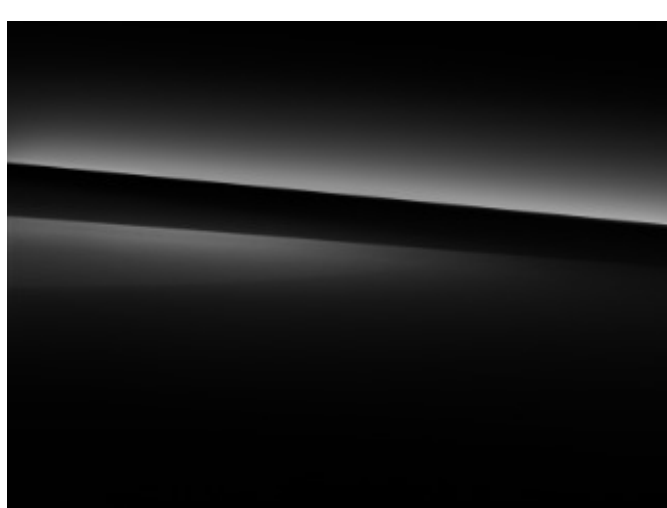
Safety & Security

- LED Intelligent Light System
- Mercedes-Benz eCall Emergency System
- Antitheft Alarm System
- Surround View Camera
- Driver Assistance Package
- Auto-Dimming Mirrors
- MAGIC VISION CONTROL
- PRE-SAFE Impulse Side
- Dash Camera



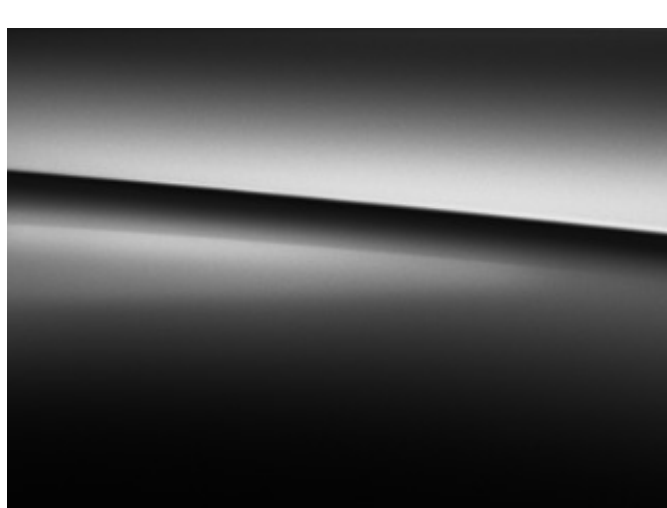
Paint

Non-Metallic Paints



040 - Black
Click to Enlarge

Metallic Paints



197 - Obsidian Black
Click to Enlarge



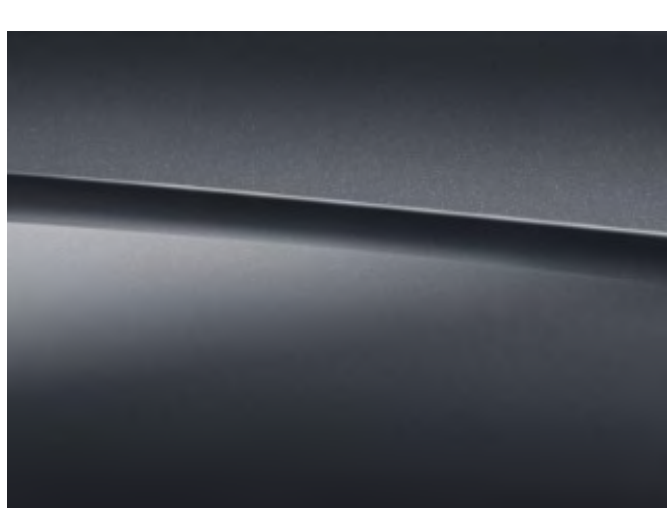
346 - Onyx Black*
Click to Enlarge *appears Metallic Brown in bright light



595 - Nautical Blue
Click to Enlarge



660 - Rubellite Red
Click to Enlarge



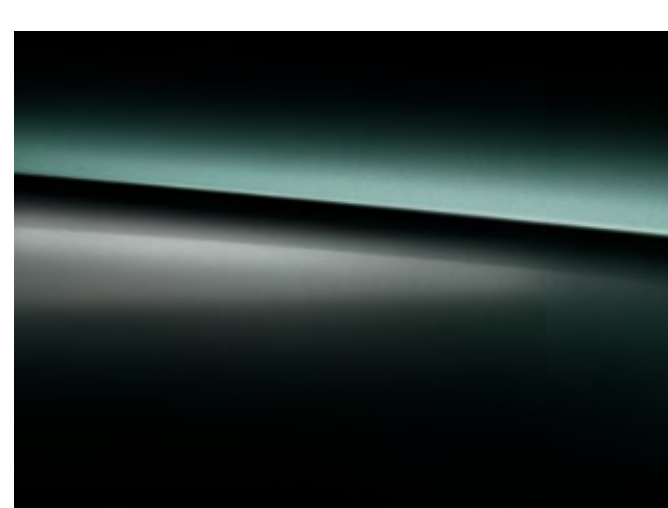
831 - Graphite Grey
Click to Enlarge



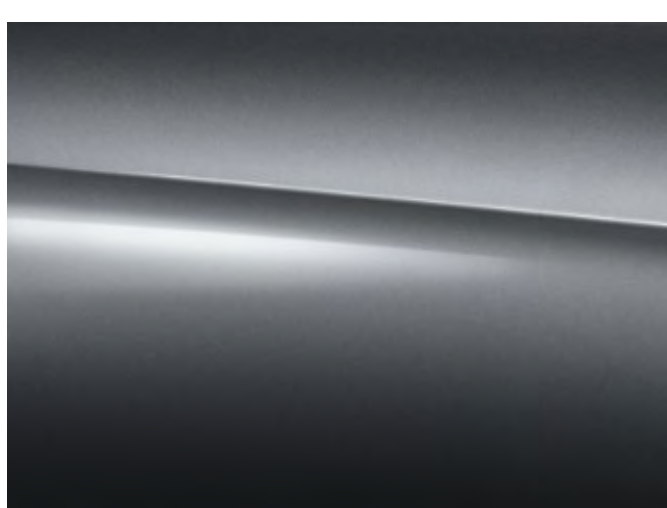
859 - Mojave Silver
Click to Enlarge



922 - Cirrus Silver
Click to Enlarge



989 - Emerald Green
Click to Enlarge

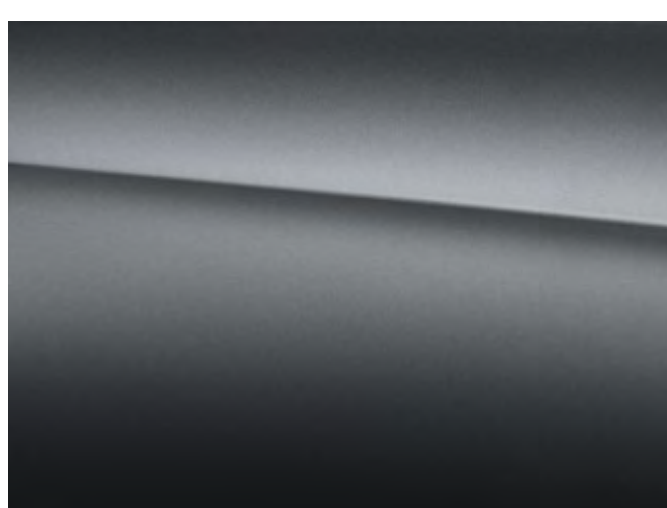


992 - Selenite Grey
Click to Enlarge

MANUFAKTUR Paints



049 - MANUFAKTUR Cashmere White Magno



297 - MANUFAKTUR Selenite Grey Magno

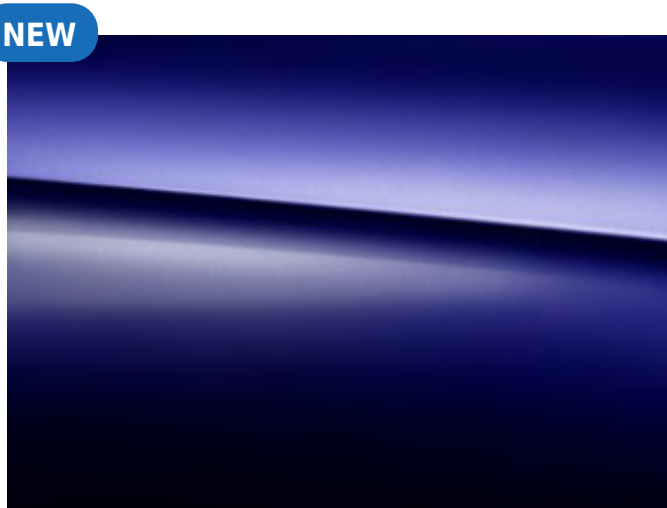


799 - MANUFAKTUR Diamond White

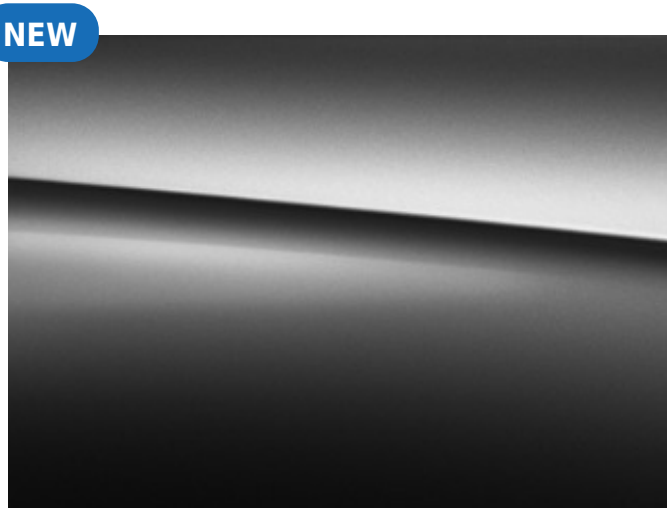


802 - MANUFAKTUR Kalahari Gold

MANUFAKTUR Signature Paints



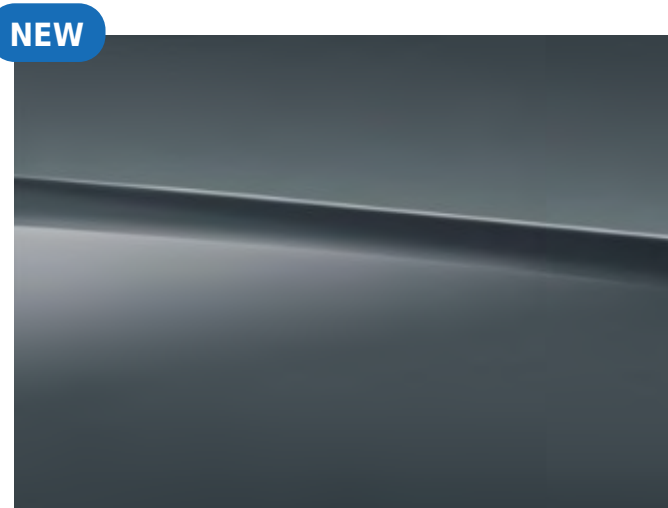
032 - MANUFAKTUR Mystic Blue Metallic



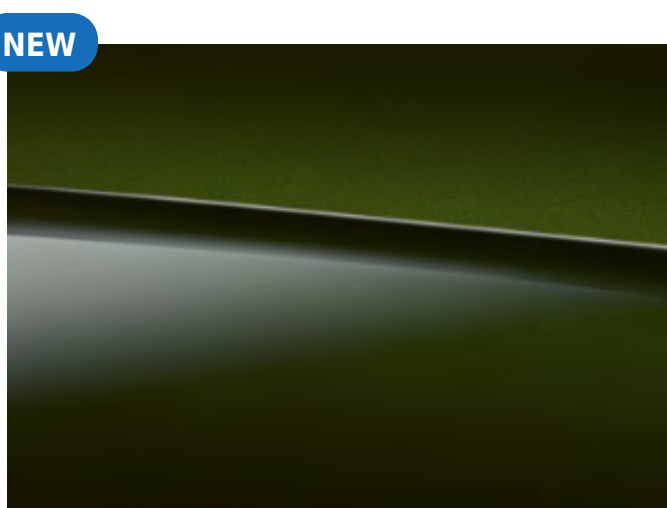
041 - MANUFAKTUR Graphite Metallic



056 - MANUFAKTUR Night Black Magno



190 - MANUFAKTUR Graphite Grey Solid



255 - MANUFAKTUR Olive Metallic



677 - MANUFAKTUR Kalahari Gold Magno



934 - MANUFAKTUR China Blue Solid

Code	Description	Availability	Price
040	Black Click to Enlarge	All Models	\$0
197	Obsidian Black Click to Enlarge	All Models	\$0
346	Onyx Black* Click to Enlarge *appears Metallic Brown in bright light	All Models	\$0
595	Nautical Blue Click to Enlarge	All Models	\$0
660	Rubellite Red Click to Enlarge	All Models	\$0
831	Graphite Grey Click to Enlarge	All Models	\$0
859	Mojave Silver Click to Enlarge	All Models	\$0
922	Cirrus Silver Click to Enlarge	All Models	\$0
989	Emerald Green Click to Enlarge	All Models	\$0
992	Selenite Grey Click to Enlarge	All Models	\$0
049	MANUFAKTUR Cashmere White Magno	All Models	\$3,250
297	MANUFAKTUR Selenite Grey Magno	All Models	\$3,250
799	MANUFAKTUR Diamond White	All Models	\$1,750
802	MANUFAKTUR Kalahari Gold	All Models	\$1,750
032 (New)	MANUFAKTUR Mystic Blue Metallic	All Models	TBD
041 (New)	MANUFAKTUR Graphite Metallic	All Models	TBD
056 (New)	MANUFAKTUR Night Black Magno	All Models	TBD
190 (New)	MANUFAKTUR Graphite Grey Solid	All Models	TBD
255 (New)	MANUFAKTUR Olive Metallic	All Models	TBD
677 (New)	MANUFAKTUR Kalahari Gold Magno	All Models	TBD
934 (New)	MANUFAKTUR China Blue Solid	All Models	TBD



Wheels



77R - 19" 5- Multispoke Wheels

Click to Enlarge/ Only with Luxury Line (DX0)
Only available on S500V4
19"
R02 (All-Season Tires)
255/45 R19 on 8.5 J x 19 ET31.5



R60 - 19" AERO 10-Twin Multispoke Wheels

Click to Enlarge/ Only with Luxury Line (DX0)
19"
R02 (All-Season Tires)
255/45 R 19 tyres on 8.5J x 19 ET31.5



60R - 20" Y-Multispoke Wheels

Click to Enlarge/ Only with Luxury Line (DX0)
20"
R02 (All-Season Tires)
245/40 R 20 on 9 J x 20 ET34



RRG - 19" AMG Twin 5-Spoke Wheels

Click to Enlarge/ Only with AMG Line (DX1)
19"
R02 (All-Season Tires)
255/45 R19 on 8.5 J x 19 ET31.5



RVQ - 20" AMG Multispoke Wheels

Click to Enlarge/ Only with AMG Line (DX1)
20"
R02 (All-Season Tires)
255/40 R 20 on 9 J x 20 ET34 (Front) 285/35 R 20 on 10 J x 20 ET48.1(Rear)



RWK - 21" AMG V-Multispoke Wheels

Click to Enlarge/ Only with AMG Line (DX1)
21"
R01 (High-Performance Tires)
255/35 R 21 on 9 J x 21 ET48 (Front) 285/30 R 21 on 10 J x 21 ET48 (Rear)



RWN - 21" AMG V-Multispoke Wheels with Black Inlays

Click to Enlarge/ Only with AMG Line (DX1)/ Requires Night Package (DC1)
21"
R01 (High-Performance Tires)
255/35 R 21 on 9 J x 21 ET48 (Front) 285/30 R 21 on 10 J x 21 ET48 (Rear)



RVP - 20" AMG Multispoke Wheels painted with High-Gloss Black

Click to Enlarge/ Only with AMG Line (DX1)/ Requires Night Package (DC1)
20"
R02 (All-Season Tires)
255/40 R 20 on 9 J x 20 ET34 (Front) 285/35 R 20 on 10 J x 20 ET48.1 (Rear)



15R - 19" 10-Twin Multispoke Wheels

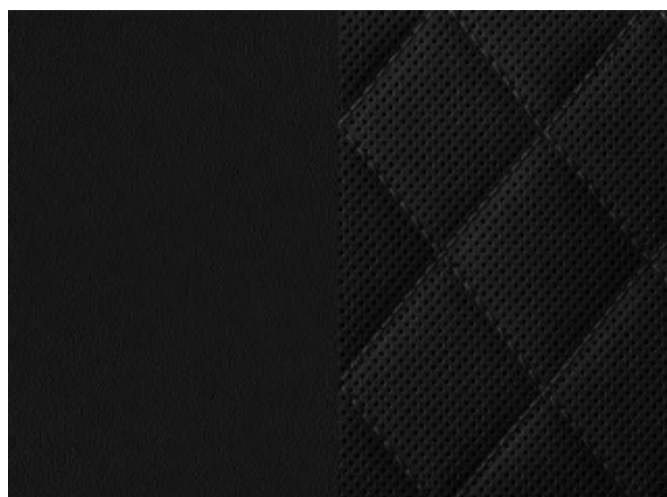
Click to Enlarge/ Only with Luxury (DX0) and Executive (DX2) Line/Only available on S580V4
19"
R02 (All-Season Tires)
255/45 R19 on 8.5 J x 19 ET31.5

Code	Wheel Size	Description	Wheel Dimensions	Mobility	Availability	MSRP
77R	19"	Click to Enlarge/ Only with Luxury Line (DX0) Only available on S500V4	255/45 R19 on 8.5 J x 19 ET31.5	R02 (All-Season Tires)	S500V4	\$0
R60	19"	Click to Enlarge/ Only with Luxury Line (DX0)	255/45 R 19 tyres on 8.5J x 19 ET31.5	R02 (All-Season Tires)	All Models	\$200
60R	20"	Click to Enlarge/ Only with Luxury Line (DX0)	245/40 R 20 on 9 J x 20 ET34	R02 (All-Season Tires)	S500V4, S580V4	\$1,050
RRG	19"	Click to Enlarge/ Only with AMG Line (DX1)	255/45 R19 on 8.5 J x 19 ET31.5	R02 (All-Season Tires)	All Models	\$0
RVQ	20"	Click to Enlarge/ Only with AMG Line (DX1)	255/40 R 20 on 9 J x 20 ET34 (Front) 285/35 R 20 on 10 J x 20 ET48.1(Rear)	R02 (All-Season Tires)	All Models	\$850
RWK	21"	Click to Enlarge/ Only with AMG Line (DX1)	255/35 R 21 on 9 J x 21 ET48 (Front) 285/30 R 21 on 10 J x 21 ET48 (Rear)	R01 (High-Performance Tires)	S500V4, S580V4	\$1,950
RWN	21"	Click to Enlarge/ Only with AMG Line (DX1)/ Requires Night Package (DC1)	255/35 R 21 on 9 J x 21 ET48 (Front) 285/30 R 21 on 10 J x 21 ET48 (Rear)	R01 (High-Performance Tires)	S500V4, S580V4	\$1,950
RVP	20"	Click to Enlarge/ Only with AMG Line (DX1)/ Requires Night Package (DC1)	255/40 R 20 on 9 J x 20 ET34 (Front) 285/35 R 20 on 10 J x 20 ET48.1 (Rear)	R02 (All-Season Tires)	All Models	\$1,150
15R	19"	Click to Enlarge/ Only with Luxury (DX0) and Executive (DX2) Line/Only available on S580V4	255/45 R19 on 8.5 J x 19 ET31.5	R02 (All-Season Tires)	S580e4, S580V4	\$0



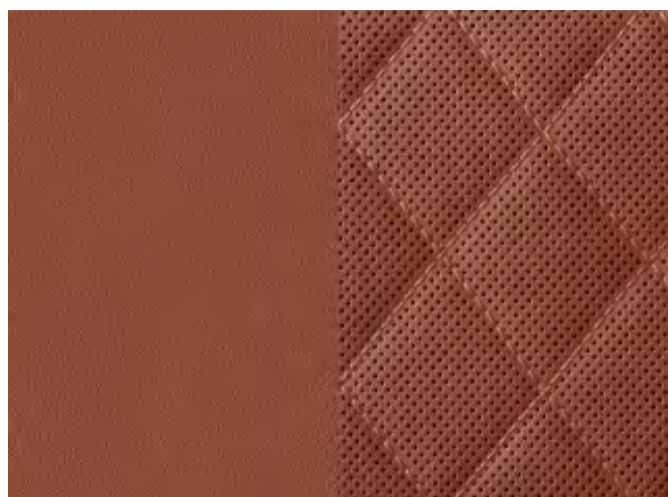
Upholstery

Nappa Leather



801 - Black

Click to Enlarge/ Requires 51U Black Headliner or 58U Grey Headliner



804 - Sienna Brown & Black

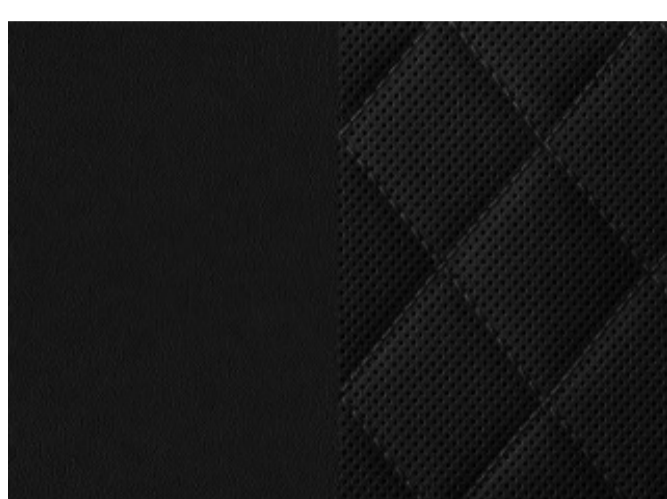
Click to Enlarge/ Requires 51U Black Headliner/ Not Available with 802- MANUFAKTUR Kalahari Gold



805 - Macchiato & Magma Grey

Click to Enlarge/ Requires 55U Beige Headliner/Comes with Magma Grey Floor/FloorMats

Exclusive Nappa Leather



501 - Black

Click to Enlarge/ Requires 61U (Black DINAMICA) or 68U (Grey DINAMICA) Headliner, Requires P34 (Exclusive Upholstery) and 735/Requires Warmth & Comfort Package (DB0)



504 - Exclusive Sienna Brown & Black

Click to Enlarge/ Requires 61U (Black DINAMICA) Headliner, Requires P34 (Exclusive Upholstery) and 735/Requires Warmth & Comfort Package (DB0)/Not Available with 802- MANUFAKTUR Kalahari Gold



505 - Exclusive Macchiato & Magma Grey/ Comes with Macchiato Beige Carpet/ Magma Grey FloorMats

Click to Enlarge/ Requires 65U (Beige DINAMICA) Headliner, Requires P34 (Exclusive Upholstery) and 735/Requires Warmth & Comfort Package (DB0)



507 - Exclusive Carmine Red & Black

Click to Enlarge/ Requires 61U (Black DINAMICA) Headliner, Requires P34 (Exclusive Upholstery) and 735/Requires Warmth & Comfort Package (DB0) N/A with 595- Nautical Blue



508 - Exclusive Silver Grey & Black

Click to Enlarge/ Requires 61U (Black DINAMICA) or 68U (Grey DINAMICA) Headliner, Requires P34 (Exclusive Upholstery) and 735/Requires Warmth & Comfort Package (DB0)

MANUFAKTUR Signature Leather



969 - MANUFAKTUR Pastel Yellow / Black

Click to Enlarge/ Requires DD6 (MANUFAKTUR Exclusive Interior) Requires 61U (Black DINAMICA), Requires P34 (Exclusive Upholstery) and 735/Requires Warmth & Comfort Package (DB0), Requires H02 (Fineline "Anthracite" Natural Grain) / H75 (Stainless Steel-Metal Blended Black/Silver)



954 - MANUFAKTUR Nut Brown / Black

Click to Enlarge/Requires DD6 (MANUFAKTUR Exclusive Interior) Requires 61U (Black DINAMICA), Requires P34 (Exclusive Upholstery) and 735/Requires Warmth & Comfort Package (DB0), Requires H02 (Fineline "Anthracite" Natural Grain) / H17 (Piano Lacquer Flowing Lines) / H29 (Brown High-Gloss Burl Walnut Wood) / H37 Slate High-Gloss Poplar Wood / H38 (MANUFAKTUR Brown Open-Pore Walnut Wood Trim with Aluminium Lines)



952 - MANUFAKTUR Yacht Blue / Black

Click to Enlarge/ Requires DD6 (MANUFAKTUR Exclusive Interior) Requires 61U (Black DINAMICA), Requires P34 (Exclusive Upholstery) and 735/Requires Warmth & Comfort Package (DB0), Requires H02 (Fineline "Anthracite" Natural Grain) / H17 (Piano Lacquer Flowing Lines) / H37 (Slate High-Gloss Poplar Wood) / H75 (Stainless Steel-Metal Blended Black/Silver)



964 - MANUFAKTUR Truffle Brown / Black

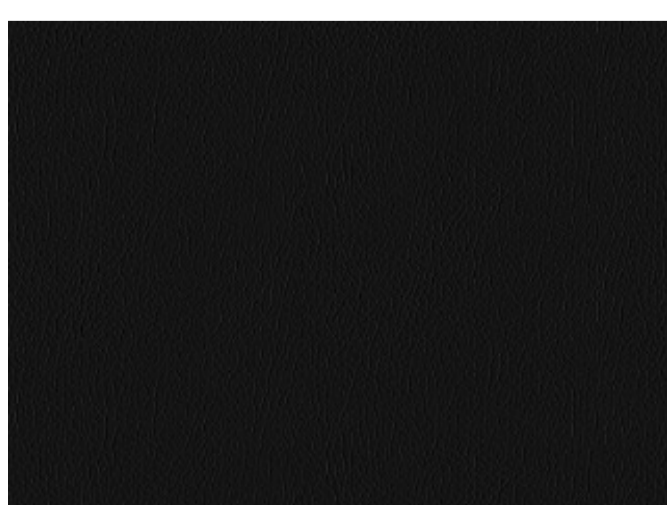
Click to Enlarge/ Requires DD6 (MANUFAKTUR Exclusive Interior) Requires 61U (Black DINAMICA), Requires P34 (Exclusive Upholstery) and 735/Requires Warmth & Comfort Package (DB0), Requires H02 (Fineline "Anthracite" Natural Grain) / H17 (Piano Lacquer Flowing Lines) / H37 (Slate High-Gloss Poplar Wood) / H38 (MANUFAKTUR Brown Open-Pore Walnut Wood Trim with Aluminium Lines) / H75 (Stainless Steel-Metal Blended Black/Silver)



959 - MANUFAKTUR Deep White / Black

Click to Enlarge/Requires DD6 (MANUFAKTUR Exclusive Interior) Requires 61U (Black DINAMICA), Requires P34 (Exclusive Upholstery) and 735/Requires Warmth & Comfort Package (DB0), Requires H02 (Fineline "Anthracite" Natural Grain) / H17 (Piano Lacquer Flowing Lines) / H37 (Slate High-Gloss Poplar Wood) / H75 (Stainless Steel-Metal Blended Black/Silver)

Leather



201 - Black

Click to Enlarge/ Requires 51U Black Headliner or 58U Grey Headliner



204 - Sienna Brown & Black

Click to Enlarge/ Requires 51U Black Headliner



205 - Macchiato & Magma Grey

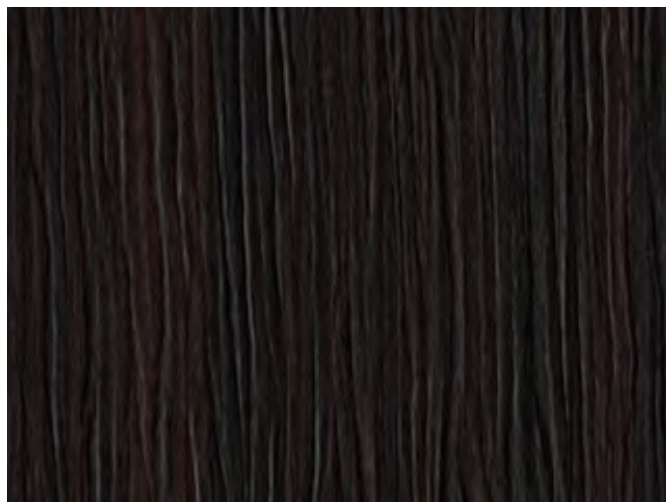
Click to Enlarge/ Requires 55U Beige Headliner/Comes with Magma Grey Floor/FloorMats

<i>Code</i>	<i>Description</i>	<i>Availability</i>	<i>Price</i>
801	Black Click to Enlarge/ Requires 51U Black Headliner or 58U Grey Headliner	All Models	\$2,290 (S500V4) \$0 (S580V4, S580e4)
804	Sienna Brown & Black Click to Enlarge/ Requires 51U Black Headliner/ Not Available with 802- MANUFAKTUR Kalahari Gold	All Models	\$2,290 (S500V4) \$0 (S580V4, S580e4)
805	Macchiato & Magma Grey Click to Enlarge/ Requires 55U Beige Headliner/Comes with Magma Grey Floor/FloorMats	All Models	\$2,290 (S500V4) \$0 (S580V4, S580e4)
501	Black Click to Enlarge/ Requires 61U (Black DINAMICA) or 68U (Grey DINAMICA) Headliner, Requires P34 (Exclusive Upholstery) and 735/Requires Warmth & Comfort Package (DB0)	All Models	\$5,400 (S500V4) \$3,110 (S580V4, S580e4)
504	Exclusive Sienna Brown & Black Click to Enlarge/ Requires 61U (Black DINAMICA) Headliner, Requires P34 (Exclusive Upholstery) and 735/Requires Warmth & Comfort Package (DB0)/Not Available with 802- MANUFAKTUR Kalahari Gold	All Models	\$5,400 (S500V4) \$3,110 (S580V4, S580e4)
505	Exclusive Macchiato & Magma Grey/ Comes with Macchiato Beige Carpet/ Magma Grey FloorMats Click to Enlarge/ Requires 65U (Beige DINAMICA) Headliner, Requires P34 (Exclusive Upholstery) and 735/Requires Warmth & Comfort Package (DB0)	All Models	\$5,400 (S500V4) \$3,110 (S580V4, S580e4)
507	Exclusive Carmine Red & Black Click to Enlarge/ Requires 61U (Black DINAMICA) Headliner, Requires P34 (Exclusive Upholstery) and 735/Requires Warmth & Comfort Package (DB0)	All Models	\$5,400 (S500V4) \$3,110 (S580V4, S580e4)
508	Exclusive Silver Grey & Black Click to Enlarge/ Requires 61U (Black DINAMICA) or 68U (Grey DINAMICA) Headliner, Requires P34 (Exclusive Upholstery) and 735/Requires Warmth & Comfort Package (DB0)	All Models	\$5,400 (S500V4) \$3,110 (S580V4, S580e4)
969 (New)	MANUFAKTUR Pastel Yellow / Black Click to Enlarge/ Requires DD6 (MANUFAKTUR Exclusive Interior) Requires 61U (Black DINAMICA), Requires P34 (Exclusive Upholstery) and 735/Requires Warmth & Comfort Package (DB0), Requires H02 (Fineline "Anthracite" Natural Grain) / H75 (Stainless Steel-Metal Blended Black/Silver)	All Models	TBD
954 (New)	MANUFAKTUR Nut Brown / Black Click to Enlarge/Requires DD6 (MANUFAKTUR Exclusive Interior) Requires 61U (Black DINAMICA), Requires P34 (Exclusive Upholstery) and 735/Requires Warmth & Comfort Package (DB0), Requires H02 (Fineline "Anthracite" Natural Grain) / H17 (Piano Lacquer Flowing Lines) / H29 (Brown High-Gloss Burl Walnut Wood) / H37 Slate High-Gloss Poplar Wood / H38 (MANUFAKTUR Brown Open-Pore Walnut Wood Trim with Aluminium Lines)	All Models	TBD
952 (New)	MANUFAKTUR Yacht Blue / Black Click to Enlarge/ Requires DD6 (MANUFAKTUR Exclusive Interior) Requires 61U (Black DINAMICA), Requires P34 (Exclusive Upholstery) and 735/Requires Warmth & Comfort Package (DB0), Requires H02 (Fineline "Anthracite" Natural Grain) / H17 (Piano Lacquer Flowing Lines) / H37 (Slate High-Gloss Poplar Wood) / H75 (Stainless Steel-Metal Blended Black/Silver)	All Models	TBD
964 (New)	MANUFAKTUR Truffle Brown / Black Click to Enlarge/ Requires DD6 (MANUFAKTUR Exclusive Interior) Requires 61U (Black DINAMICA), Requires P34 (Exclusive Upholstery) and 735/Requires Warmth & Comfort Package (DB0), Requires H02 (Fineline "Anthracite" Natural Grain) / H17 (Piano Lacquer Flowing Lines) / H37 (Slate High-Gloss Poplar Wood) / H38 (MANUFAKTUR Brown Open-Pore Walnut Wood Trim with Aluminium Lines) / H75 (Stainless Steel-Metal Blended Black/Silver)	All Models	TBD
959 (New)	MANUFAKTUR Deep White / Black Click to Enlarge/Requires DD6 (MANUFAKTUR Exclusive Interior) Requires 61U (Black DINAMICA), Requires P34 (Exclusive Upholstery) and 735/Requires Warmth & Comfort Package (DB0), Requires H02 (Fineline "Anthracite" Natural Grain) / H17 (Piano Lacquer Flowing Lines) / H37 (Slate High-Gloss Poplar Wood) / H75 (Stainless Steel-Metal Blended Black/Silver)	All Models	TBD
201	Black Click to Enlarge/ Requires 51U Black Headliner or 58U Grey Headliner	S580e4, S580V4	\$0
204	Sienna Brown & Black Click to Enlarge/ Requires 51U Black Headliner	S580e4, S580V4	\$0
205	Macchiato & Magma Grey Click to Enlarge/ Requires 55U Beige Headliner/Comes with Magma Grey Floor/FloorMats	S580e4, S580V4	\$0

<i>Code</i>	<i>Upholstery</i>	<i>Seats</i>	<i>Floor Mats</i>	<i>Upper Dash/Lower Dash</i>	<i>Seat Belts</i>	<i>Steering Wheel</i>	<i>Headliner</i>
801	Black Click to Enlarge/ Requires 51U Black Headliner or 58U Grey Headliner	Black	Black	Black	Black	Black	Black or Grey
804	Sienna Brown & Black Click to Enlarge/ Requires 51U Black Headliner/ Not Available with 802- MANUFAKTUR Kalahari Gold	Sienna Brown	Black	Black	Black	Black	Black
805	Macchiato & Magma Grey Click to Enlarge/ Requires 55U Beige Headliner/Comes with Magma Grey Floor/FloorMats	Macchiato	Magma Grey	Magma Grey	Macchiato	Macchiato	Beige
501	Black Click to Enlarge/ Requires 61U (Black DINAMICA) or 68U (Grey DINAMICA) Headliner, Requires P34 (Exclusive Upholstery) and 735/Requires Warmth & Comfort Package (DB0)	Black	Black	Black	Black	Black	Black or Grey
504	Exclusive Sienna Brown & Black Click to Enlarge/ Requires 61U (Black DINAMICA) Headliner, Requires P34 (Exclusive Upholstery) and 735/Requires Warmth & Comfort Package (DB0)/Not Available with 802- MANUFAKTUR Kalahari Gold	Sienna Brown	Black	Black	Black	Black	Black
505	Exclusive Macchiato & Magma Grey/ Comes with Macchiato Beige Carpet/ Magma Grey FloorMats Click to Enlarge/ Requires 65U (Beige DINAMICA) Headliner, Requires P34 (Exclusive Upholstery) and 735/Requires Warmth & Comfort Package (DB0)	Macchiato	Magma Grey	Magma Grey	Macchiato	Beige	Beige
507	Exclusive Carmine Red & Black Click to Enlarge/ Requires 61U (Black DINAMICA) Headliner, Requires P34 (Exclusive Upholstery) and 735/Requires Warmth & Comfort Package (DB0)	Carmine Red	Black	Black	Black	Black	Black
508	Exclusive Silver Grey & Black Click to Enlarge/ Requires 61U (Black DINAMICA) or 68U (Grey DINAMICA) Headliner, Requires P34 (Exclusive Upholstery) and 735/Requires Warmth & Comfort Package (DB0)	Silver Grey	Black	Silver Grey	Black	Black	Black or Silver Grey
969 (New)	MANUFAKTUR Pastel Yellow / Black Click to Enlarge/ Requires DD6 (MANUFAKTUR Exclusive Interior) Requires 61U (Black DINAMICA), Requires P34 (Exclusive Upholstery) and 735/Requires Warmth & Comfort Package (DB0), Requires H02 (Fineline "Anthracite" Natural Grain) / H75 (Stainless Steel-Metal Blended Black/Silver)	Pastel Yellow	Black		Black	Black / Pastel Yellow	Black
954 (New)	MANUFAKTUR Nut Brown / Black Click to Enlarge/Requires DD6 (MANUFAKTUR Exclusive Interior) Requires 61U (Black DINAMICA), Requires P34 (Exclusive Upholstery) and 735/Requires Warmth & Comfort Package (DB0), Requires H02 (Fineline "Anthracite" Natural Grain) / H17 (Piano Lacquer Flowing Lines) / H29 (Brown High-Gloss Burl Walnut Wood) / H37 Slate High-Gloss Poplar Wood / H38 (MANUFAKTUR Brown Open-Pore Walnut Wood Trim with Aluminium Lines)	Nut Brown	Black		Black	Black / Nut Brown	Black
952 (New)	MANUFAKTUR Yacht Blue / Black Click to Enlarge/ Requires DD6 (MANUFAKTUR Exclusive Interior) Requires 61U (Black DINAMICA), Requires P34 (Exclusive Upholstery) and 735/Requires Warmth & Comfort Package (DB0), Requires H02 (Fineline "Anthracite" Natural Grain) / H17 (Piano Lacquer Flowing Lines) / H37 (Slate High-Gloss Poplar Wood) / H75 (Stainless Steel-Metal Blended Black/Silver)	Yacht Blue	Black		Black	Black / Yacht Blue	Black
964 (New)	MANUFAKTUR Truffle Brown / Black Click to Enlarge/ Requires DD6 (MANUFAKTUR Exclusive Interior) Requires 61U (Black DINAMICA), Requires P34 (Exclusive Upholstery) and 735/Requires Warmth & Comfort Package (DB0), Requires H02 (Fineline "Anthracite" Natural Grain) / H17 (Piano Lacquer Flowing Lines) / H37 (Slate High-Gloss Poplar Wood) / H38 (MANUFAKTUR Brown Open-Pore Walnut Wood Trim with Aluminium Lines) / H75 (Stainless Steel-Metal Blended Black/Silver)	Truffle Brown	Black		Black	Black / Truffle Brown	Black
959 (New)	MANUFAKTUR Deep White / Black Click to Enlarge/Requires DD6 (MANUFAKTUR Exclusive Interior) Requires 61U (Black DINAMICA), Requires P34 (Exclusive Upholstery) and 735/Requires Warmth & Comfort Package (DB0), Requires H02 (Fineline "Anthracite" Natural Grain) / H17 (Piano Lacquer Flowing Lines) / H37 (Slate High-Gloss Poplar Wood) / H75 (Stainless Steel-Metal Blended Black/Silver)	Truffle Brown	Black		Black	Black / Deep White	Black
201	Black Click to Enlarge/ Requires 51U Black Headliner or 58U Grey Headliner	Black	Black	Black	Black	Black	Black or Grey
204	Sienna Brown & Black Click to Enlarge/ Requires 51U Black Headliner	Sienna Brown	Black	Black	Black	Black	Black
205	Macchiato & Magma Grey Click to Enlarge/ Requires 55U Beige Headliner/Comes with Magma Grey Floor/FloorMats	Macchiato	Magma Grey	Magma Grey	Macchiato	Macchiato	Beige

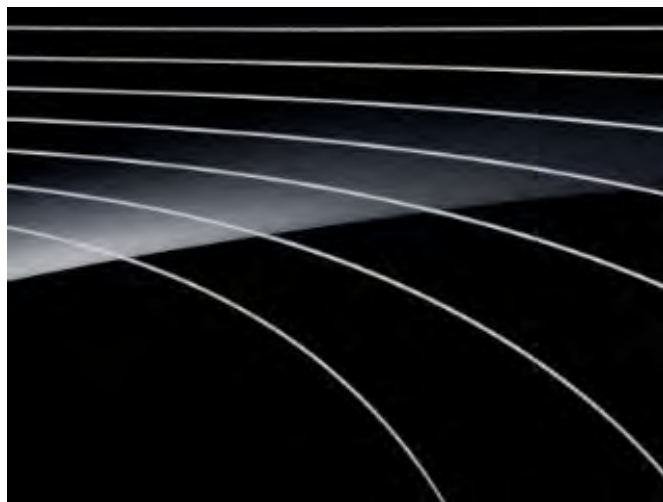


Trims



H02 - Fineline "Anthracite" Natural Grain

Click to Enlarge/Only available with AMG Line (DX1)



H17 - Piano Lacquer Flowing Lines

Click to Enlarge



H29 - Brown High-Gloss Burl Walnut Wood

Click to Enlarge /Not available with AMG Line (DX1)



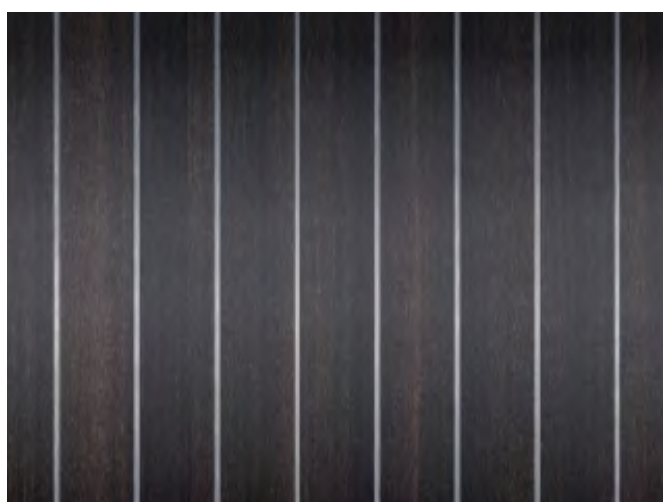
H37 - Slate High-Gloss Poplar Wood

Click to Enlarge



H75 - Stainless Steel-Metal Blended Black/Silver

Click to Enlarge/ Only available with AMG Line (DX1)



H38 - MANUFAKTUR Brown Open-Pore Walnut Wood Trim with Aluminium Lines

Click to Enlarge/ Not available with 201- Black Leather Upholstery/Not available with 204- Sienna Brown & BlackLeather Upholstery/ Not available with 205- Macchiato & Magma Grey Leather Upholstery



722 - Center Console Metallic Mixed look Black / Silver

Only with H75/ Only with AMG Line (DX1)



726 - Centre Console Black Crystal Look Finish

Standard



797 - Centre Console Black Dotted Lines

Not with H75

<i>Code</i>	<i>Description</i>	<i>Availability</i>	<i>Price</i>
H02	Fineline "Anthracite" Natural Grain Click to Enlarge/Only available with AMG Line (DX1)	All Models	\$0
H17	Piano Lacquer Flowing Lines Click to Enlarge	All Models	\$1,300
H29	Brown High-Gloss Burl Walnut Wood Click to Enlarge /Not available with AMG Line (DX1)	All Models	\$0
H37	Slate High-Gloss Poplar Wood Click to Enlarge	All Models	\$0
H75	Stainless Steel-Metal Blended Black/Silver Click to Enlarge/ Only available with AMG Line (DX1)	All Models	\$850
H38	MANUFAKTUR Brown Open-Pore Walnut Wood Trim with Aluminium Lines Click to Enlarge/ Not available with 201- Black Leather Upholstery/Not available with 204- Sienna Brown & BlackLeather Upholstery/ Not available with 205- Macchiato & Magma Grey Leather Upholstery	All Models	\$3,200
722	Center Console Metallic Mixed look Black / Silver Only with H75/ Only with AMG Line (DX1)	All Models	\$300
726	Centre Console Black Crystal Look Finish Standard	All Models	\$0
797	Centre Console Black Dotted Lines Not with H75	All Models	\$300



Lines & Packages

<i>Code</i>	<i>Packages</i>	<i>Availability</i>	<i>MSRP</i>
DX0	<p>Luxury Line</p> <ul style="list-style-type: none"> ▪ 943 - Toll Gate Transponder ▪ 501 - 360 Surround View Camera ▪ 902 - Front Heated Seat Plus ▪ 297 - Electric Sunblinds in Rear Doors ▪ 401 - Ventilated Front Seats ▪ P21 - Air Balance Package ▪ 436 - Front Comfort Headrests ▪ 72B - USB Package Plus ▪ 432 - Active Multicontour Seats 	All Models	TBD
DX1	<p>AMG Line</p> <p>All Standard Equipment from Luxury Line Plus</p> <ul style="list-style-type: none"> ▪ U26 - AMG Floor mats ▪ WCO - Wheel Choice of: <ul style="list-style-type: none"> ○ RRG - 19" AMG Twin 5-Spoke Wheels (Included) ○ RWN - 21" AMG V-Multispoke Wheels with Black Inlays / Only with Night Package (DC1) (\$1950) ○ RWK - 21" AMG V-Multispoke Wheels (\$1950) ○ RVQ - 20" AMG Multispoke Wheels (\$850) ▪ 951 - Sport Package Code ▪ 772 - AMG Line Exterior 	All Models	\$4,300
DB0	<p>Warmth and Comfort Package</p> <p>Available with Luxury and AMG Line. Standard for Executive Line</p> <ul style="list-style-type: none"> ▪ 903 - Heated Rear Seats ▪ 443 - Heated Steering Wheel ▪ PBS - Front Energizing Package ▪ 402 - Ventilated Rear Seats ▪ 276 - Memory Rear Seats ▪ 906 - Heated Front Armrests ▪ 907 - Heated Rear Armrests ▪ 223 - Power Rear Seats 	All Models	\$3,800
DF0	<p>3D Technology Package Code/ Constrained</p> <p>Available with Luxury, AMG and Executive Line</p> <ul style="list-style-type: none"> ▪ 445 - MBUX Augmented Reality Head-Up Display ▪ 451 - 3D Instrument Cluster 	All Models	\$3,000
DC1	<p>Night Package</p> <p>Only available with AMG Line</p> <ul style="list-style-type: none"> ▪ P55 - Night Package Code 	All Models	\$400
DX2	<p>Executive Line</p> <p>All Standard Equipment from Luxury Line Plus/ Not available on S 500</p> <ul style="list-style-type: none"> ▪ 302 - Rear Airbag ▪ 561 - Design Belt Buckles Rear ▪ 276 - Rear Memory Seats ▪ P07 - Chauffeur Package Rear ▪ P43 - Rear Seat Comfort ▪ 452 - Electric Adjust Rear Seats ▪ 854 - MBUX Rear Entertainment System ▪ 306 - Rear Beltbag ▪ 906 - Front Heated Armrest ▪ 898 - Wireless Charging Rear ▪ U07 - Belt Bringer in Rear Seat ▪ 447 - MBUX Rear Tablet ▪ 322 - Rear Neck Heating ▪ 582 - 4-Zone Climate Control ▪ 903 - Rear Seat Heating ▪ 406 - Active Multicontour Rear Seats ▪ 323 - Calf Massage Function ▪ 443 - Heated Steering Wheel ▪ PBS - Front ENERGIZING COMFORT Package ▪ 216 - 10 Degree Rear Axle Steering ▪ 223 - Power Rear Seats ▪ 439 - Easy Adjust Headrest ▪ 907 - Rear Heated Armrest ▪ 453 - Executive Rear Seat ▪ 402 - Ventilated Rear Seats ▪ U58 - Wireless Headphones 	S580e4, S580V4	TBD
DD6 (New)	<p>MANUFAKTUR Exclusive Interior</p> <p>Only Available with MANUFAKTUR Upholstery- 969 (MANUFAKTUR Signature Pastel Yellow Nappa Leather), 954 (MANUFAKTUR Signature Nut Brown Nappa Leather), 952 (MANUFAKTUR Signature Yacht Blue/ Black Nappa Leather), 964 (MANUFAKTUR Signature Tartufo Brown/ Black Nappa Leather), 959 (MANUFAKTUR Signature Deep White Nappa Leather) 418-Two-Tone Steering Wheel only with L2B (Nappa Leather Steering Wheel), B23 Needs to be selected if want to Ommit 418 (Two-Tone Steering Wheel) for L2D (Wood Steering Wheel)</p> <ul style="list-style-type: none"> ▪ C51 - MANUFAKTUR Badge on Rear Window Shelf ▪ C06 - Headrest Cushions with Stitched Logo ▪ C07 - MANUFAKTUR High-Pile Floor Mats with Stitched Logo ▪ P62 - MANUFAKTUR Interior Package Code ▪ C50 - MANUFAKTUR Badge in Front Center Console ▪ 418 - Two-Tone Steering Wheel ▪ 328 - Illuminated Door Sill Panel with Brand Pattern 	All Models	TBD



Options

Factory Options

<i>Code</i>	<i>Options</i>	<i>Availability</i>	<i>MSRP</i>
201	4.5 Degree Rear Axle Steering Available on AMG Line (DX1)	All Models	\$1,300
443	Heated Steering Wheel Available on Luxury (DX0) and AMG (DX1) Line	All Models	\$250
811	Burmester® High-End 4D Surround Sound System Available on Luxury (DX0), and AMG (DX1) Line/Requires Warmth & Comfort Package (DB0)/ Not Available with 2XX Leather on S500 4MATIC	All Models	\$6,730
490	E-Active Body Control Available on Luxury (DX0), AMG (DX1) and Executive (DX2) Line/ Requires 3D Technology Package (DF0)	S500V4, S580V4	\$6,500
451	3D Instrument Cluster Available on Luxury (DX0), AMG (DX1) and Executive (DX2) Line	All Models	\$1,190
878	Active Ambient Lighting	All Models	\$790
83B (New)	Direct Current Charging System (DC charging) Available on Luxury (DX0), AMG (DX1) and Executive (DX2) Line	S580e4	TBD



VPC Installed Options

<i>Code</i>	<i>Options</i>	<i>Availability</i>	<i>MSRP</i>
D07	Wheel Locking Bolts		\$160
D10	Rear Deck Spoiler in Body Color	All Models	\$500
D21	Rear Spoiler - Black	All Models	\$500
D28	Comfort Box	All Models	\$375
D37	Mercedes-Benz Star Set (Plate Frame/Valve Caps)		\$70
D43	All-Season Front & Rear Floor Mats, Black Rubber	All Models	\$170
D49	First Aid Kit		\$35



Specifications

S500V4



Drivetrain

Transmission	9G-TRONIC 9-Speed Automatic Transmission
Drive Configuration	All-wheel Drive

Engine

Engine Configuration	3.0L Inline-6 Turbo Mild-Hybrid Engine
ICE Power (hp)	429 hp
Torque (lb-ft)	384 lb-ft
Compression Ratio	TBD
Fuel Requirement (Octane)	TBD
Fuel Tank Size (gallons)	22.19
Displacement (cc)	2999

Performance

Acceleration 0-60pmg (sec)	4.9
Top Speed (mph)	130
Transmission Speeds	9
Towing Capacity (lbs)	TBD
Maximum Load	TBD

Fuel Economy

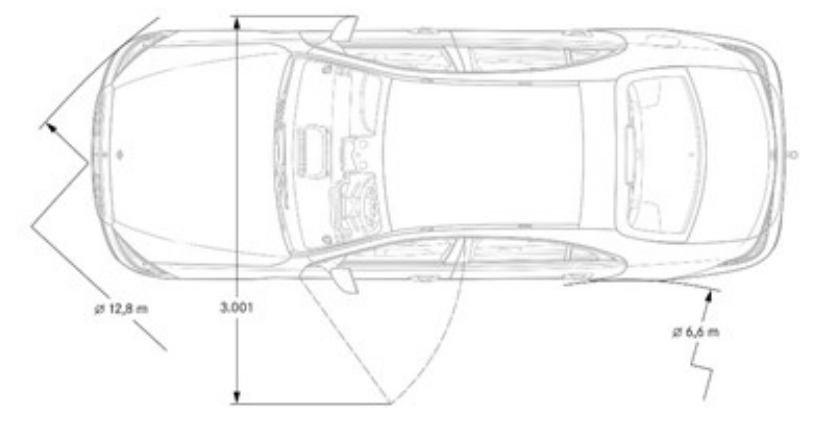
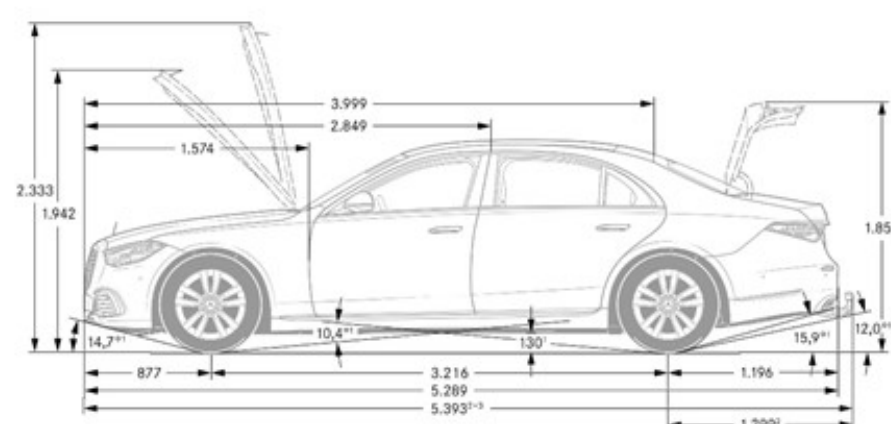
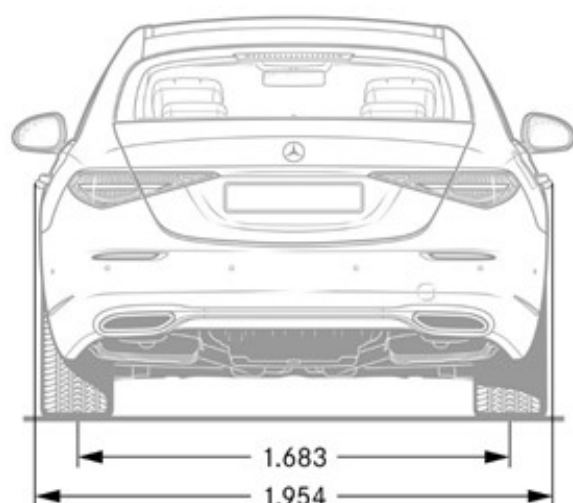
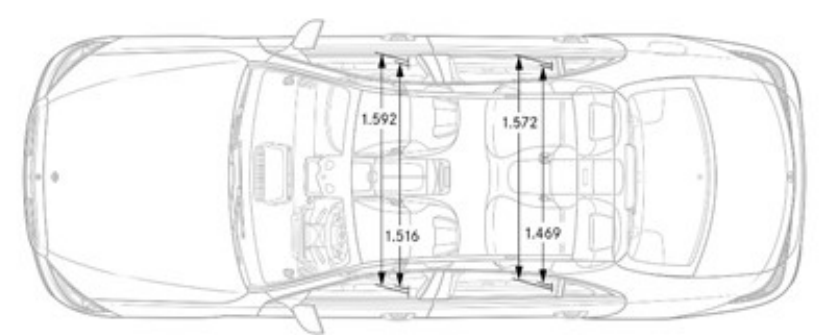
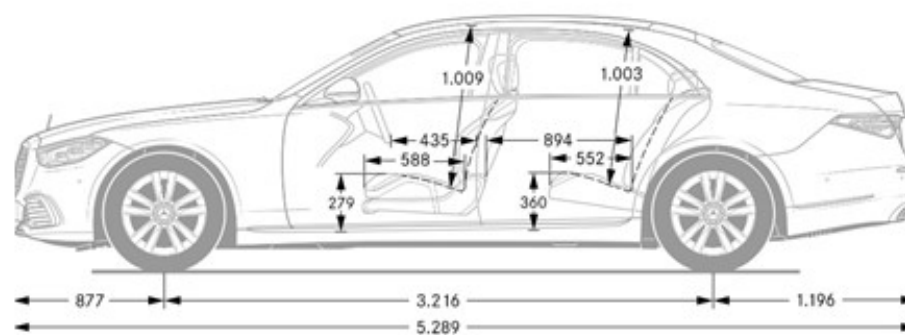
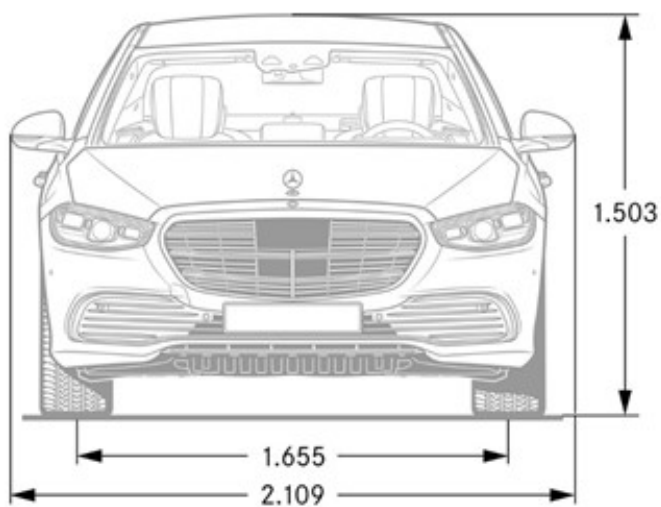
City Fuel Economy	TBD
Highway Fuel Economy	TBD
Emission Certification	TBD

Exterior Dimensions

Vehicle Length (in.)	208.2
Vehicle Height (in.)	59.2
Vehicle Width w/ exterior mirrors (in.)	83.0
Wheelbase (in.)	126.6
Curb Weight (lbs)	TBD
Track Width Front/Rear (in.)	TBD

Interior Dimensions

Trunk Size (cubic feet)	12.9
-------------------------	------



Drivetrain

Transmission	9G-TRONIC 9-Speed Automatic Transmission
Drive Configuration	All-wheel Drive

Engine

Engine Configuration	4.0L V8 Biturbo engine with Mild-Hybrid
ICE Power (hp)	496 hp
Torque (lb-ft)	516 lb-ft
Compression Ratio	TBD
Fuel Requirement (Octane)	TBD
Fuel Tank Size (gallons)	22.19
Displacement (cc)	3982

Performance

Acceleration 0-60pmg (sec)	4.4
Top Speed (mph)	130
Transmission Speeds	9
Towing Capacity (lbs)	TBD
Maximum Load	TBD

Fuel Economy

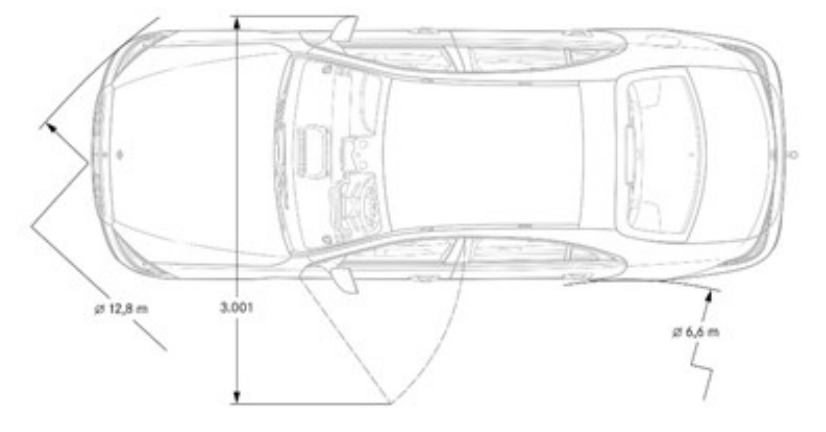
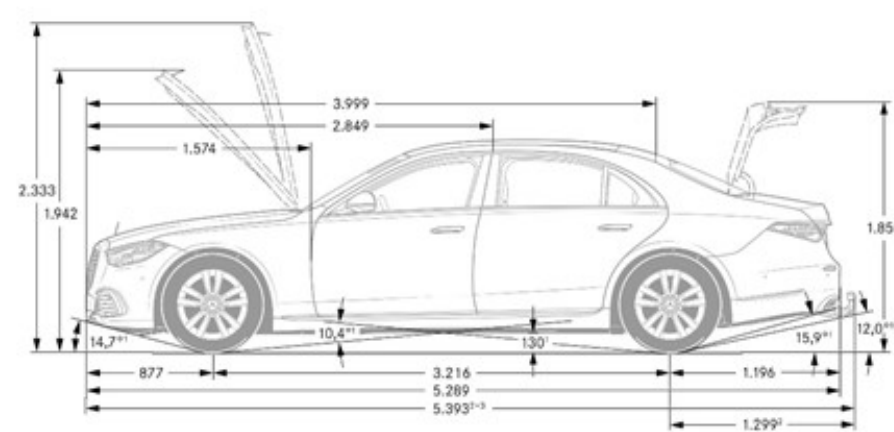
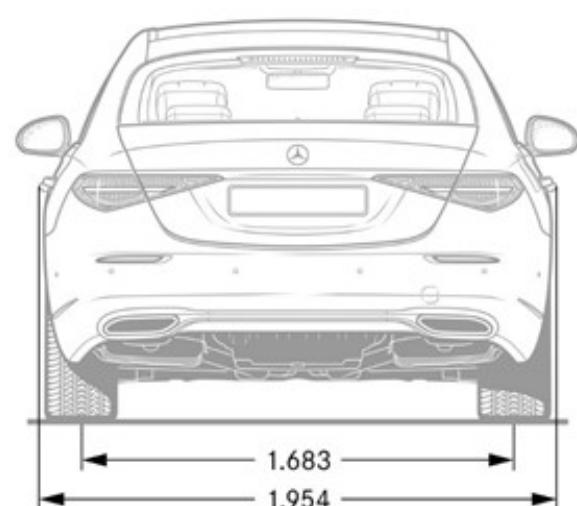
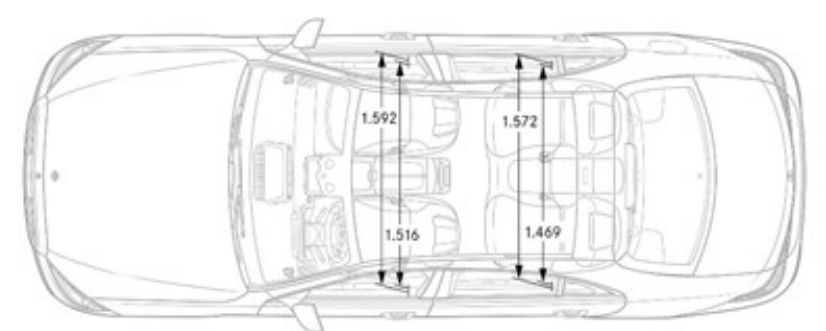
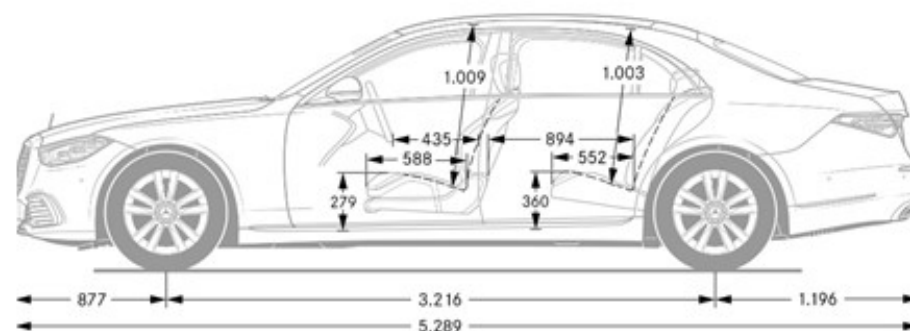
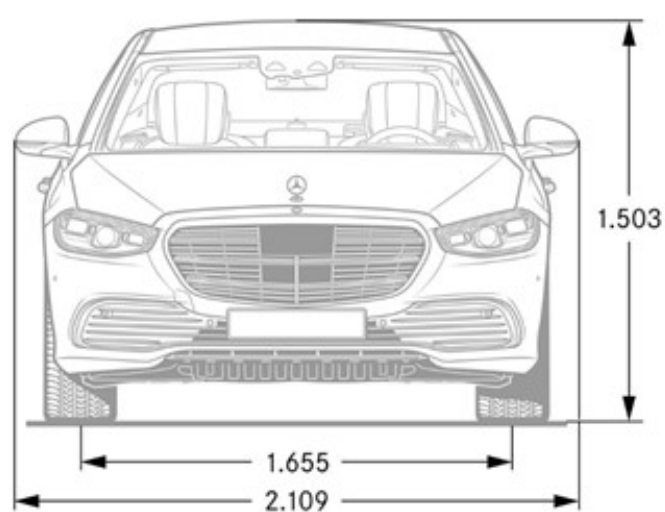
City Fuel Economy	TBD
Highway Fuel Economy	TBD
Emission Certification	TBD

Exterior Dimensions

Vehicle Length (in.)	208.2
Vehicle Height (in.)	59.2
Vehicle Width w/ exterior mirrors (in.)	83.0
Wheelbase (in.)	126.6
Curb Weight (lbs)	TBD
Track Width Front/Rear (in.)	TBD

Interior Dimensions

Trunk Size (cubic feet)	12.9
-------------------------	------



Drivetrain

Transmission	9G-TRONIC 9-Speed Automatic Transmission
Drive Configuration	All-wheel Drive

Engine

Engine Configuration	3.0L Inline-6 Turbo Plug-In Hybrid Engine
ICE Power (hp)	510 hp Combined 362 hp (ICE) 148 hp from Electric Motor
Torque (lb-ft)	369 lb-ft
Compression Ratio	TBD
Fuel Requirement (Octane)	TBD
Fuel Tank Size (gallons)	17.17
Displacement (cc)	2999

Performance

Acceleration 0-60pmg (sec)	TBD
Top Speed (mph)	130
Transmission Speeds	9
Towing Capacity (lbs)	TBD
Maximum Load	TBD

Fuel Economy

City Fuel Economy	TBD
Highway Fuel Economy	TBD
Emission Certification	TBD

Exterior Dimensions

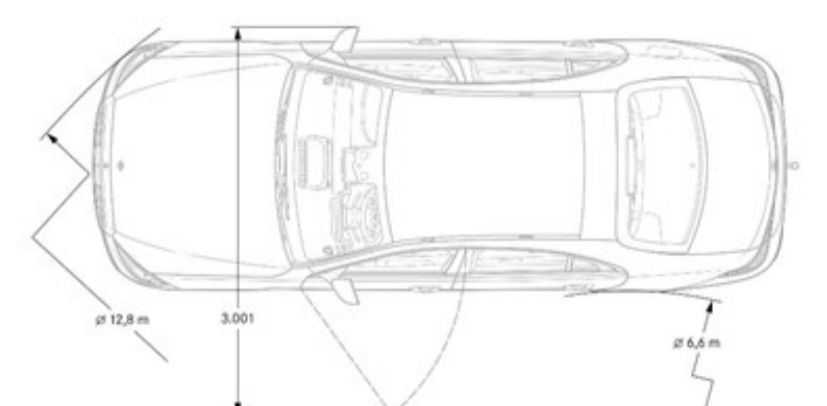
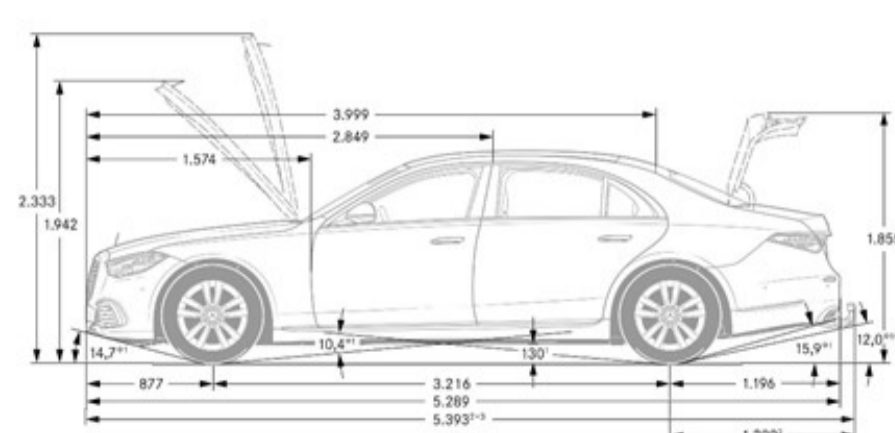
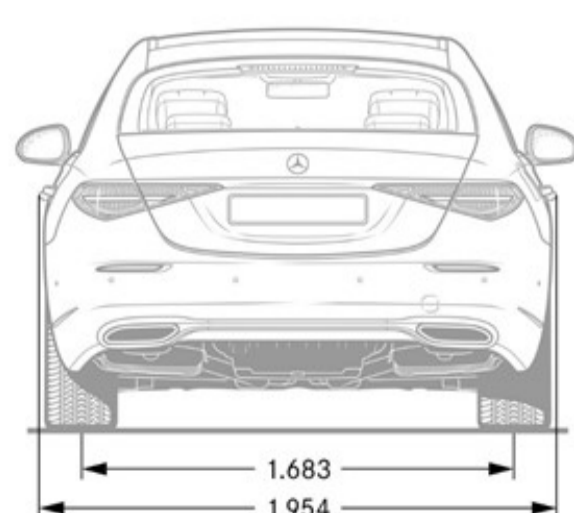
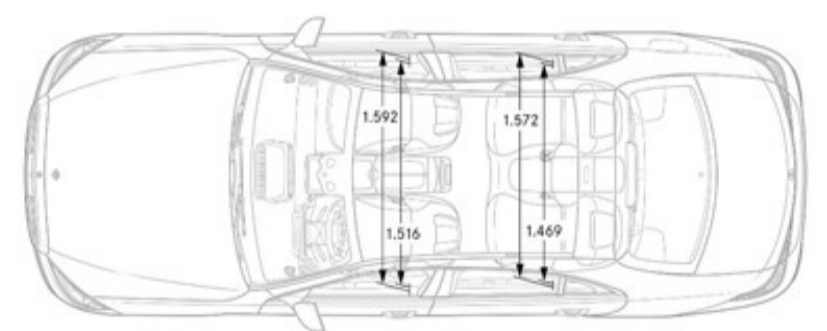
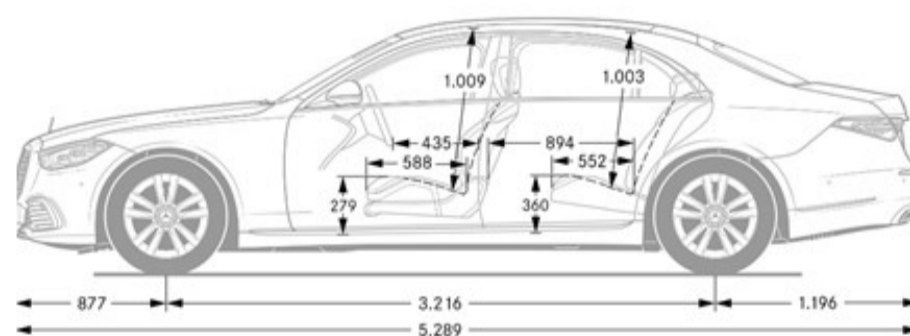
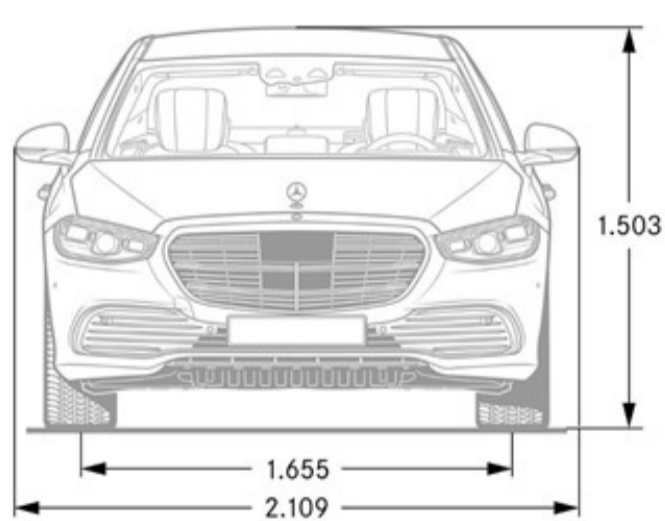
Vehicle Length (in.)	208.2
Vehicle Height (in.)	59.2
Vehicle Width w/ exterior mirrors (in.)	83.0
Wheelbase (in.)	126.6
Curb Weight (lbs)	TBD
Track Width Front/Rear (in.)	TBD

Interior Dimensions

Trunk Size (cubic feet)	12.9
-------------------------	------

Range

EPA-Certified Range	TBD
City/Hwy MPGe	TBD
Efficiency Figures	TBD



Options In Detail

Steering Wheel



3-spoke Nappa Leather Steering Wheel (L2B)

Standard

- 3-Spoke Steering Wheel
- Spokes in high-gloss black with silver chrome surround
- Steering wheel paddle shifters in silver chrome
- Operation via Touch Control panels:
 - Left: e.g. instrument cluster, Active Distance Assist DISTRONIC
 - Right: multimedia system (e.g. audio volume and title selection, telephony and navigation)
 - Touch sensitivity adjustable via central display



3-spoke Wood & Leather Steering Wheel (L2D)

Standard

Not with Fineline Anthracite Natural Grain (H02), Silver Aluminum Fanned Walnut (H38)

- 3-Spoke Steering Wheel
- Spokes in high-gloss black with silver chrome surround
- Steering wheel paddle shifters in silver chrome
- Operation via Touch Control panels:
 - Left: e.g. instrument cluster, Active Distance Assist DISTRONIC
 - Right: multimedia system (e.g. audio volume and title selection, telephony and navigation)
 - Touch sensitivity adjustable via central display





Burmester® High-End 4D Surround Sound System (811) (Optional)

Optional with Luxury, AMG and Executive Line

You enjoy music with all of the senses and get a unique 4D experience. This new dimension comes courtesy of speaker-like resonators featuring sound massage. Surround speakers integrated into the seats also help to optimize the surround sound. Furthermore, the clear voice reproduction delivered by the telephony ensures you benefit from a perfect workspace.

Key Facts:

- Amplifier with digital and analogue filters and output of 1750 watts for natural, warm and at the same time solid sound
- 30 high-end speakers, all with their own amplifier channel
- Additional amplifier with an output of 400 watts for subwoofer bass speaker (18.5-litre volume) in the boot
- 2 broadband speakers in the upper backrest area of each front seat, their position close to the ear also optimizes the quality of telephony (Driver Mode)
- 6 broadband speakers (3D-Sound) distributed in the overhead control panel, the roof cluster between the front and rear seat row and also in the sides behind the B-pillars
- 2 resonators each per front seat and outer rear seats (technically like a speaker without a membrane) in the seat backrests, vibrate and pulsate in synch with the music
- 2 bass speakers integrated in the bodyshell (Frontbass technology)
- 1 subwoofer in each door
- 7 mid-range speakers (one in each door, one centrally on the dashboard, two on the parcel shelf)
- 7 tweeters (in the front in the mirror triangle - integrated and extending, combined with ambient lighting - one in each of the rear doors, one centrally on the dashboard, two on the parcel shelf)
- Sound Personalization function for sound reproduction tuned to individual music tastes
- VIP seat function to optimize the sound for individual seats
- 5 sound profiles: Pure, Live, Easy Listening, Surround, 3D-Sound
- Noise compensation (VNC)
- Supports multichannel audio formats
- 2-way in-car communication



Toll Gate

The Toll System will allow users to pay for tolls conveniently without stopping throughout the US via the already included standard Hardware in the vehicle.

The Toll System will be activated through the "Toll Service" Head Unit application. Users will enter payment information for the Automated Toll Service via the Mercedes me connect Portal.

Users may deactivate the service at any time by toggling the service off via the "Toll Service" Head Unit application.

The Toll System network is provided by Payviam , Bestpass is the service name.

How does it work?

Customer enrolls the built in vehicle toll hardware via the headunit 'Tolls' app with Payviam . They follow the registration steps and are charged \$70 (\$20 annual subscription + \$50 for the account to use on toll routes). As they approach a toll road, the vehicle is recognized and customer can drive on the route.

How does the airport parking work?

For enrolled customers, the customer drives up to the eligible airport parking lots and the gate will recognize the built in hardware in the car and open. The customer can park anywhere in the parking lot and does not need to take a ticket. When leaving, the exit gate should also recognize the vehicle.

Who handles payment disputes?

MBUSA CAC does not handle any payment related inquiries but can redirect the customer to payviam support:

Telephone: 1 888 725 1012

E mail: support@payviam.com



3D Instrument Cluster- (451) (Optional)

Optional with Luxury, AMG and Executive Line

Keep your eye on the important things in the 3D instrument cluster. The three-dimensional warnings and functions of the driving assistance systems are immediately noticeable with their striking 3D and shaded effects. Another trailblazing effect is the fascinating 3D image of cars, trucks, buses or motorcycles ahead of your vehicle.

Key Facts:

- Free-standing 12.3-inch (31.2 cm) display with resolution of 2400 x 2 x 900 pixels
- Controlled via the left touch switch panel or MBUX voice assistant
- 3D display with spatial/shading effects for
 - other road users (cars, trucks, buses, motorcycles)
 - Navigation instructions
 - Functions of the driving assistance systems
 - Vehicle information
- Different display styles such as "Modern Classic" and "Luxury", also "Discreet" with reduced display content
- Full-screen mode for navigation (including zoom function) and for driving assistance
- Extension of ATTENTION ASSIST with microsleap warning using a driver camera:
 - Registers driver characteristics such as facial expression and eyelid movement
 - Recognizes distraction and drowsiness
 - Visual and acoustic warning signal
 - Automatic calibration
 - Active from a speed of 12 MPH
 - Independent of the outside light level

E- Active Body Control (490)

With E-ACTIVE BODY CONTROL, your vehicle benefits from a suspension which has been redeveloped from the ground up. It is able to assess the driving conditions, speed and load. For this, the high-performance control units analyse the driving conditions 1000 times per second. Damping and level control are automatically adjusted for each wheel accordingly. For superb ride comfort and outstanding stability – on dry, wet and slippery road surfaces in equal measure.

For this suspension there is a choice of four DYNAMIC SELECT drive programs. With "Comfort" you enjoy balanced tuning. The ROAD SURFACE SCAN takes this to a new level: no matter how uneven the road is – you glide across it smoothly, since a camera continually analyses the road condition. Your Mercedes therefore sees bumps and road damage, passes the gathered information on to the intelligent suspension and the damping compensates for the roughness in a smooth, anticipatory manner.

The "Curve" drive program for winding routes also provides compensatory tuning – with one special, extra feature: the curve tilting function CURVE ensures noticeably lower lateral forces when cornering and enhances your driving pleasure – you can control the intensity and dynamism in three stages. Things become even more dynamic with "Sport" for noticeably stiffer tuning with fast-response steering – ideal for a brisk driving style on winding country roads and motorways. The "ECO" drive program is the right choice when you want to be on the move in a particularly fuel-efficient manner on good roads.



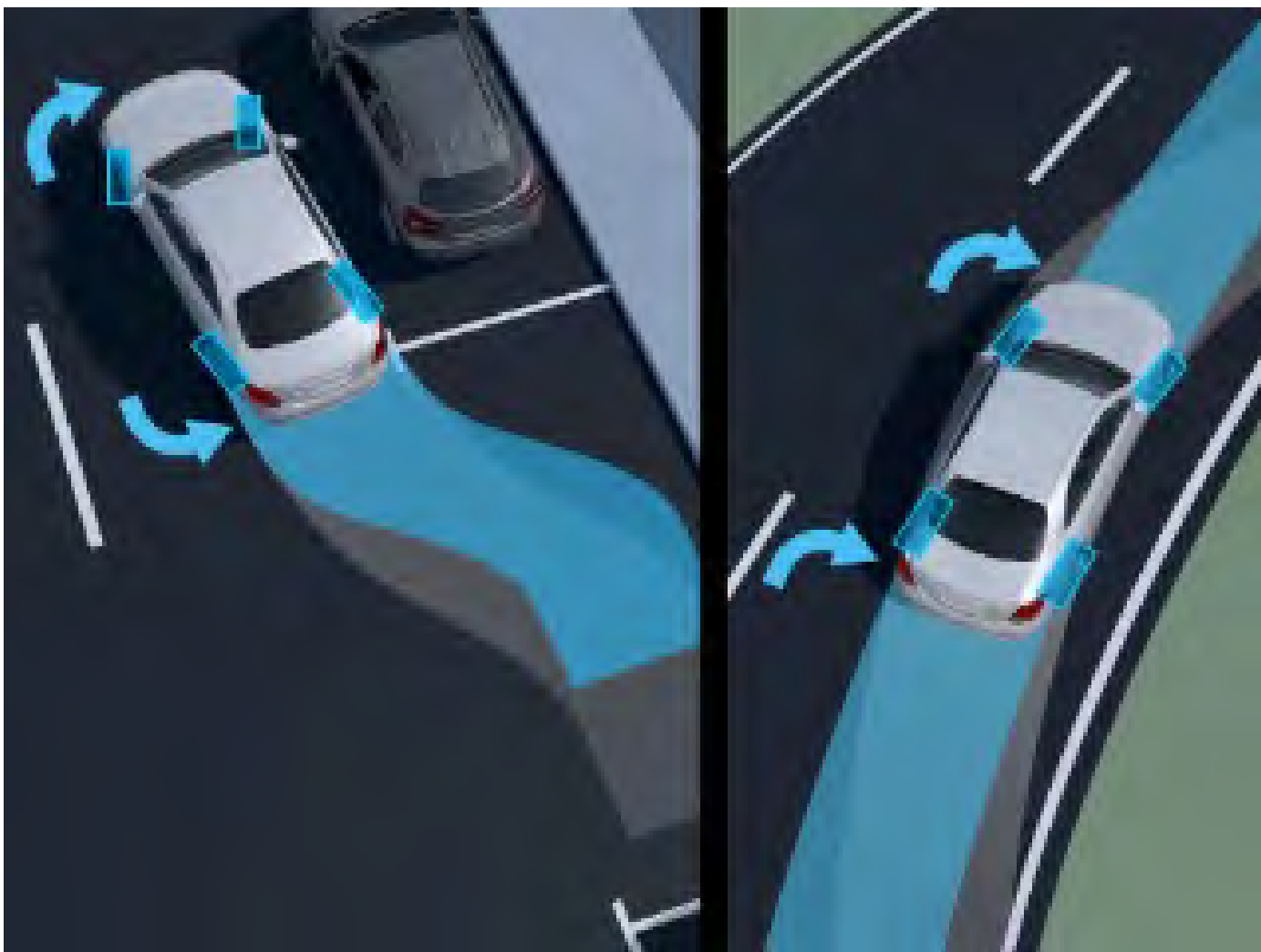


4.5° Rear-Axle Steering

Optional 4.5° with AMG Line (DX1)

The rear-axle steering with steering angle adjustment of 4.5° offers three key advantages: even more superior roadholding, significantly enhanced agility and, last but not least, better manoeuvrability – such as when parking. For this, the rear wheels steer in the opposite or the same direction as the front wheels depending on the vehicle speed.

- Four speed-dependent steering strategies:
 - Parking with a reduced turning circle (steering angle of up to 4.5° in the opposite direction to the front axle)
 - City manoeuvrability (steering angle of up to 4.5° in the opposite direction to the front axle), active up to approx. 60 km/h
 - Top speed stabilisation (steering angle of up to 2.5° in the same direction as the front axle)
 - Increase in driving dynamics (steering angle of up to 3° in the same direction as or opposite direction to the front axle depending on driving situation), active from approx. 60 km/h, controlled by the dynamic handling control system integrated into the ESP®
- Snow chain mode for adapted actuation of the rear axle steering in wintry conditions
- Representation of the rear axle steering in the central display
 - Display of the current rear axle steering angle
 - Overlay of current track circle when parking
- Rear axle steered via an electromechanical central actuator with trapezoidal screw thread



10° Rear-Axle Steering

Included with Executive Line only (DX2)

Experience the claim to leadership of Mercedes-Benz even when parking: this rear axle steering adjusts the steering angle by up to 10° and reduces the turning circle by almost two metres. As such your S-Class almost handles like a compact car when manoeuvring. At higher speeds, on the other hand, you drive with the effortless superiority afforded by the long wheelbase.

- Speed-dependent steering strategies:
 - Parking with a more reduced turning circle (steering angle of up to 10° in the opposite direction to the front axle) by almost two metres
 - City manoeuvrability (steering angle of up to 4.5° in the opposite direction to the front axle), active up to approx. 60 km/h
 - Top speed stabilisation (steering angle of up to 2.5° in the same direction as the front axle)
 - Increase in driving dynamics (steering angle of up to 3° in the same direction as or opposite direction to the front axle depending on driving situation), active from approx. 60 km/h, controlled by the dynamic handling control system integrated into the ESP®
- Snow chain mode for adjusted actuation of the rear axle steering in wintry conditions with a maximum rear axle steering angle of 4.5°
- Showcasing of the rear axle steering in the central display
 - Display of the current rear axle steering angle
 - Overlay of current track circle when parking
- Rear axle steered via an electromechanical central actuator with trapezoidal screw thread



Night Package DC1

Only Available with AMG Line (DX1)

With the Night Package your sporty exterior looks even more expressive. As part of this numerous elements are retained in high-gloss black. Depending on the paint finish, this creates contrasts or flowing transitions. In each case your vehicle gains individuality.

Components

- Front Splitter and Fins in the Air Intakes in High-Gloss Black
- Flared Side Sill Panels with Insert in High-Gloss Black
- Trim Element on the Rear Apron in High-Gloss Black
- Exterior Mirror Housings in High-Gloss Black



Gallery

