



## Integrated Dash Camera Install Guide

(For Professional Installers)



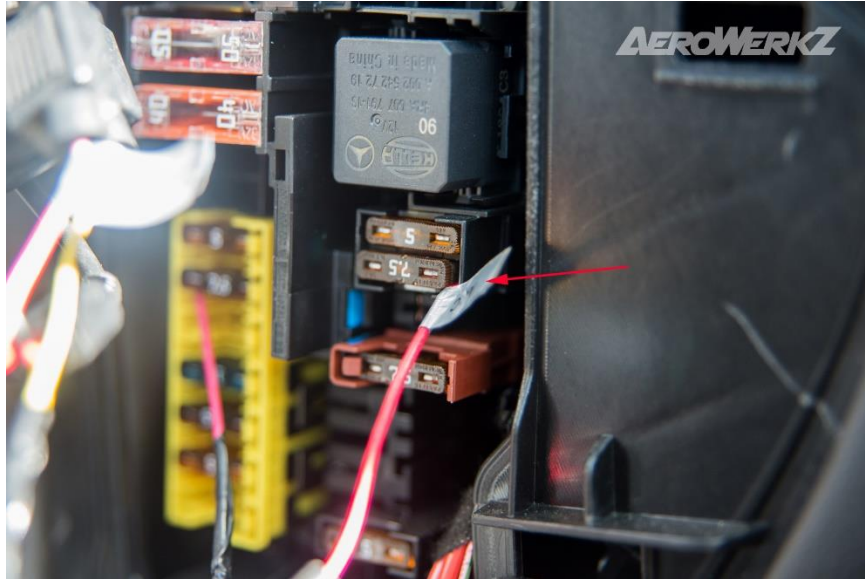
### Rain Sensor Cover

Remove factory rain sensor cover. Install integrated dash camera. Run cable through headliner, A-pillar and then to the fuse box.

# AEROWERKZ

## ACC Fuse Wiring

Run power wire to ACC fuse. This wire powers the dash camera. **CAUTION:** If connected to always on fuse, it will drain the vehicle's battery and engine won't start.



(GLC-Class fuse box shown above. Fuse location may be different for other models)

## Power Fuse Wiring for B+ Wire

Run B+ wire to always on fuse. This wire powers dash camera for timestamp and does not turn on the camera.



(GLC-Class fuse box shown above. Fuse location may be different for other models)

AerowerkZ Motorsport  
16050 Kaplan Ave., City of Industry, CA 91744  
[aerowerkzmb@gmail.com](mailto:aerowerkzmb@gmail.com)  
(626)219-2619 call or text

# AEROWERKZ

## Ground Wiring

Secure the ground wire by loosening the bolt shown below enough to slide in the ground wire and then tighten the bolt.



(GLC-Class shown above)

## FAQ

Q) How do I remove factory rain sensor cover off?

A) Please let professional installer do the work. It should only take 30 minutes average at your local car audio shop.

Q) Cable is not long enough to reach the fuse box.

A) The lines need to be added to accommodate the required length to the fuse box. Any professional installer should easily be able to do this.

# **AEROWERKZ**

Installed Photos (C-Class shown in below)

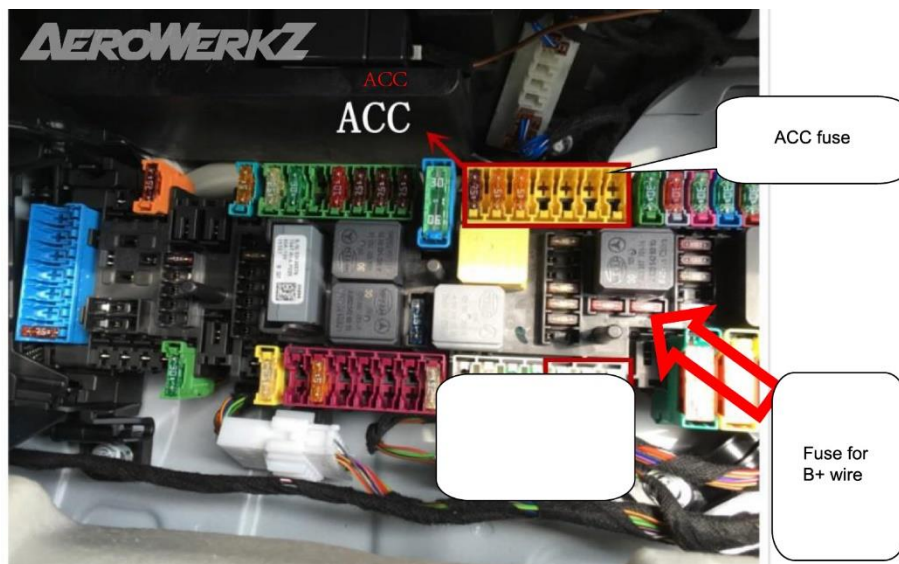


AerowerkZ Motorsport  
16050 Kaplan Ave., City of Industry, CA 91744  
[aerowerkzmb@gmail.com](mailto:aerowerkzmb@gmail.com)  
(626)219-2619 call or text

## C-Class Fuse Location



## GLA-Class Fuse Location





## GLC-Class Fuse Location



## GLE-Class Fuse Location



# AEROWERKZ

## S-Class Fuse Location



## New E-Class Fuse Location



## CLA-Class Fuse Location

It's located on front passenger seat under the carpet floor.

\*Fuse locations may be different. Always check with multimeter to ensure proper installation. On some vehicles, lines need to be added to reach the fuse box.

AerowerkZ Motorsport  
16050 Kaplan Ave., City of Industry, CA 91744  
[aerowerkzmb@gmail.com](mailto:aerowerkzmb@gmail.com)  
(626)219-2619 call or text

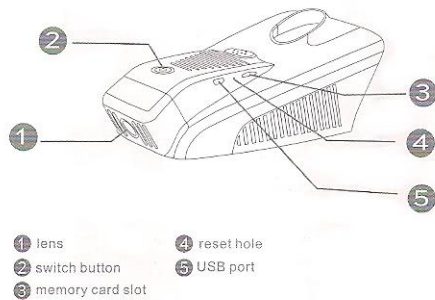
# AEROWERKZ

## GL-Class Fuse Location

It's located under rear left seat.



## Unit Diagram



\*Hold switch button to turn off the unit.

\*Press switch button to turn on the unit or to take photo.

## Download App



for iOS



for Android

AerowerkZ Motorsport  
16050 Kaplan Ave., City of Industry, CA 91744  
[aerowerkzmb@gmail.com](mailto:aerowerkzmb@gmail.com)  
(626)219-2619 call or text





### Mobile Connection Setup

1. Turn ignition on to power on the dash camera.
2. Choose Wi-Fi name "HiDVR" under iOS Settings → Wi-Fi.
3. Enter default Wi-Fi password "1234567890".
4. Open HiDVR app and press "Preview" button to view live video.

\*When connected to mobile device, Internet connection will not work until Wi-Fi connection to dash camera is disconnected.

\*For best results, turn off Bluetooth from iOS device during setup.

### LED Notifications

- Solid red light – dash camera is turned on
- No red light – dash camera is turned off
- Blinking blue light – video is recording
- Blinking red light – Gsensor is detected, no SD card found or video is not recording

### Specifications

- Colors: Black, Gray or Beige
- Video Recording: 1080p Full HD at 30fps
- Video Compression: H.264
- Video File Format: MOV
- Audio recording
- Camera Aperature: F1.8
- Camera Field of View: 155 °
- Camera Sensor: 1/3" Color CMOS
- Fuse box connection
- 1-year warranty
- Storage Card: MicroSD (8GB included)
- Storage Capacity: up to 32GB
- Built-in WiFi
- Operating Temp: -4~176 °F (cabin temperature)