

GLB SUV



X247

Model Year 2020

Preliminary – Subject to Change

Mercedes-Benz

The best or nothing.

Mercedes-Benz USA



GLB MY20



Important note

The information presented in this guide is based on the most current information available and is intended for internal use only. Mercedes-Benz reserves the right to make changes at any time, without notice, to colors, materials, equipment, special specifications and models.

Pricing may not yet be finalized for some models or options.

Due to variances among monitors and printers the colors that appear on your screen and printouts may not be exact.

For illustrative purposes, some images may show vehicles with European Specification.

Revision History

<i>Date</i>	<i>Changes</i>
06/25/2019	All-new model initial release – prices subject to change
06/25/2019	Updated VPC Installed Accessories
06/27/2019	Updated availability of paints 144 and 775
08/13/2019	Added dimension drawings for AMG Line
09/11/2019	Price updates: <ul style="list-style-type: none">• Patagonia Red (993)• Head-Up Display (463)
10/02/2019	Updated MSRP and standard equipment



GLB 250 & GLB 250 4MATIC



Models



What's new



Standard Equipment



Exterior Paint Colors



Wheels



Interior Upholstery



Interior Trims



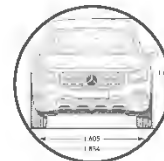
Option Packages



Stand-Alone Options



Options in Detail



Specifications



GLB 250 (247.646)

- \$36,600
- 2.0L Inline-4 Turbo Engine
- 221 hp
- 258 lb-ft
- 6.9 sec (0-60 mph)
- Launch date: late 2019



GLB 250 4MATIC (247.647)

- \$38,600
- 2.0L Inline-4 Turbo Engine
- 221 hp
- 258 lb-ft
- 6.9 sec (0-60 mph)
- Launch date: late 2019





Standard Equipment / Optional Equipment

- All-new model



Exterior Highlights



or Highlights



GLB MY20



Performance & Handling

- 8-Speed Dual Clutch Transmission (DCT)
- DYNAMIC SELECT
- 18" Wheels with All-Season MOE Tires

Comfort & Convenience

- LED Headlamps
- Smartphone Integration
- KEYLESS-START
- 2-Zone Climate Control
- Rain-Sensing Windshield Wipers
- 7" Digital Instrument Cluster & 7" Touchscreen Multimedia Display
- Touchpad (new generation)
- 5 USB-C ports (**note: adapter will be required to connect to USB-A devices**)
- 8-Way Power Driver and Passenger Seat with 3-Position Memory
- 4-Way Power Lumbar Support for Driver and Passenger Seat
- Dual Cup Holder in the Center Console
- Rear Seat Center Armrest incl. Dual Cup Holder
- Power Liftgate
- Privacy Glass
- Mercedes-Benz User Experience (MBUX)
- Voice Control, including Natural Language Understanding and Keyword Activation ("Hey Mercedes")
- Electronic Parking Brake
- Bluetooth® Connectivity
- Multifunction Steering Wheel in Leather w/ Touch Control Buttons and Shift Paddles
- 4-Way Manual Steering Column
- Cruise Control
- Automatic Light-Sensing Headlamps
- Mercedes me connect services w/ trial period
- Comfort Suspension
- Split-Folding Rear Seats (40/20/40)
- Rear Seats w/ 7-Stage Inclination & Fore/Aft Adjustment
- Cargo Cover
- Trunk Sill Protector in Chrome

Safety & Security

- Rearview Camera
- Active Brake Assist
- Adaptive Braking Technology: Predictive Brake Priming, Hill-Start Assist, Automatic Brake Drying and Brake HOLD Function
- Mercedes-Benz Emergency Call Service
- ATTENTION Assist
- Antitheft Alarm
- Nine Air Bags (2x Front/Side/Window/Knee)
- Crosswind Assist
- Integrated Fog Lights

Exterior Paint Colors



Non-metallic Paints



149
Polar White
Option price: \$0



696
Night Black
Option price: \$0

Metallic Paints



144
Digital White *(from 11/2019)*
Option price: \$720



191
Cosmos Black *(from 10/2019)*
Option price: \$720



667
Denim Blue *(from 01/2020)*
Option price: \$720



775 *(from 11/2019)*
Iridium Silver
Option price: \$720



787
Mountain Grey
Option price: \$720



813
Galaxy Blue *(from 11/2019)*
Option price: \$720



859
Mojave Silver *(from 04/2020)*
Option price: \$720



993
Patagonia Red *(from 02/2020)*
Option price: \$720

designo[®] Paints *designo* Paints



97R

18" Twin 5-Spoke Wheels

R02, R66

Standard

Not w/ AMG Line (DG3PKG) or Night Package (DC1PKG)



R26

19" 10-Spoke Wheels w/ Matte Black Accents

R02, R66

Option price: \$700

Not w/ AMG Line (DG3PKG) or Night Package (DC1PKG)



RTF

19" AMG Twin 5-Spoke Wheels

R02, R66

Option price: \$0

Requires AMG Line (DG3PKG)



RTG

19" AMG Twin 5-Spoke Wheels w/ Black Accents

R02, R66

Option price: \$0

Requires Night Package (DC1PKG)



RVV

20" AMG Multi-Spoke Wheels,

R01, B51

Option price: \$750

Requires AMG Line (DG3PKG) and Suspension w/ Adaptive Damping (457)



RVW

20" AMG Multi-Spoke Wheels, Black

R01, B51

Option price: \$750

Requires Night Package (DC1PKG) and Suspension w/ Adaptive Damping (457)

Please note: illustrations may differ from the original



Code	Wheel Size	Description	Wheel Dimensions	Mobility	Availability	MSRP
97R	18"	Twin 5-Spoke Wheels	235/55 R 18 on 7.5 J x 18 ET 53 235/55 R 18 on 7.5 J x 18 ET 53	(Front) (Rear)	R02, R66	All Models \$ 0 <i>Not w/ AMG Line (DG3PKG) or Night Package (DC1PKG)</i>
R26	19"	10-Spoke Wheels w/ Matte Black Accents	235/50 R 19 on 7.5 J x 19 ET 53 235/50 R 19 on 7.5 J x 19 ET 53	(Front) (Rear)	R02, R66	All Models \$ 700 <i>Not w/ AMG Line (DG3PKG) or Night Package (DC1PKG)</i>
RTF	19"	AMG Twin 5-Spoke Wheels	235/50 R 19 on 7.5 J x 19 ET 53 235/50 R 19 on 7.5 J x 19 ET 53	(Front) (Rear)	R02, R66	All Models \$ 0 <i>Requires AMG Line (DG3PKG)</i>
RTG	19"	AMG Twin 5-Spoke Wheels w/ Black Accents	235/50 R 19 on 7.5 J x 19 ET 53 235/50 R 19 on 7.5 J x 19 ET 53	(Front) (Rear)	R02, R66	All Models \$ 0 <i>Requires Night Package (DC1PKG)</i>
RVV	20"	AMG Multi-Spoke Wheels	235/45 R 20 on 8 J x 20 ET 48 235/45 R 20 on 8 J x 20 ET 48	(Front) (Rear)	R01, B51	All Models \$ 750 <i>Requires AMG Line (DG3PKG) and Suspension w/ Adaptive Damping (457)</i>
RVW	20"	AMG Multi-Spoke Wheels, Black	235/45 R 20 on 8 J x 20 ET 48 235/45 R 20 on 8 J x 20 ET 48	(Front) (Rear)	R01, B51	All Models \$ 750 <i>Requires Night Package (DC1PKG) and Suspension w/ Adaptive Damping (457)</i>

Interior Upholstery – MB-Tex



101 – Black

Option price: \$0

(Comfort Seats)

Not w/ AMG Line (DG3PKG) or Night Package (DC1PKG)



105 – Macchiato Beige

Option price: \$0

(Comfort Seats)

Not w/ AMG Line (DG3PKG) or Night Package (DC1PKG)



159 – Neva Grey/Black

Option price: \$0

(Sport Seats)

Requires AMG Line (DG3PKG) or Night Package (DC1PKG)



651 – Black w/ DINAMICA inserts and red topstitching

Option price: \$0

(Sport Seats)

Requires AMG Line (DG3PKG) or Night Package (DC1PKG)

Please note: A-Class images shown – GLB similar

Interior Upholstery – Leather



211 – Black

Option price: \$1,450

(Sport Seats)

Requires Heated Seats (873) or Heated/Ventilated Seats (401)



214 – Bahia Brown (textured)

Option price: \$1,450

(Sport Seats)

Requires Heated Seats (873) or Heated/Ventilated Seats (401)
Not available w/ 3rd Seat Row (847) or paint Patagonia Red (993)



257 – Classic Red/Black

Option price: \$1,450

(Sport Seats)

Requires AMG Line (DG3PKG) or Night Package (DC1PKG)
Requires Heated Seats (873) or Heated/Ventilated Seats (401)
Not available w/ paints Denim Blue (667) or Galaxy Blue (813)



258 – Titanium Grey/Black

Option price: \$1,450

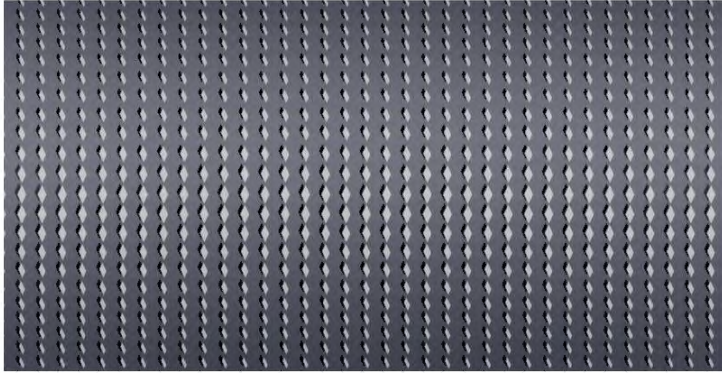
(Sport Seats)

Requires AMG Line (DG3PKG) or Night Package (DC1PKG)
Requires Heated Seats (873) or Heated/Ventilated seats (401)

Please note: A-Class images shown – GLB similar



<i>Code</i>	<i>Upholstery</i>	<i>Seats</i>	<i>Floor Mats</i>	<i>Upper Dash/Lower Dash</i>	<i>Seat Belts</i>	<i>Steering Wheel</i>	<i>Headliner</i>
101	Black MB-Tex	Black	Black	Black/Black	Black	Black	Black or Grey
105	Macchiato Beige MB-Tex	Macchiato Beige	Black	Black/Macchiato Beige	Black	Black	Black or Beige
159	Neva Grey/Black MB-Tex	Neva Grey/Black	Black	Black/Black	Black	Black	Black
651	Black MB-Tex with DINAMICA inserts & red topstitching	Black	Black	Black/Black	Black	Black	Black
211	Black leather	Black	Black	Black/Black	Black	Black	Black or Grey
214	Bahia Brown leather (textured)	Bahia Brown	Black	Black/Black	Black	Black	Black or Grey
257	Classic Red/Black leather	Classic Red/Black	Black	Black/Black	Black	Black	Black
258	Titanium Grey/Black leather	Titanium Grey/Black leather	Black	Black/Black	Black	Black	Black



H60

Spiral Look

Option price: \$0

Standard

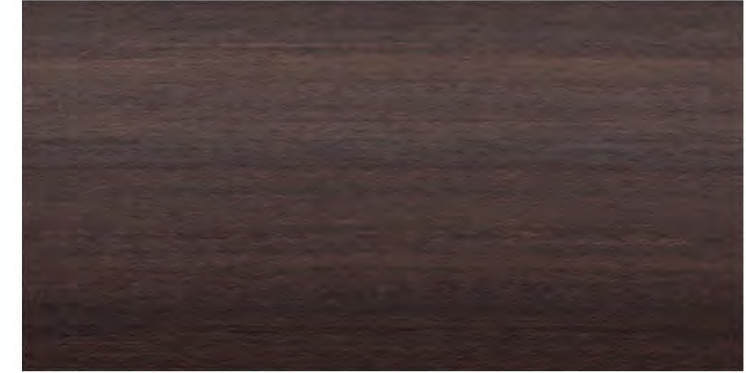
Not available w/ AMG Line (DGPKG)



H15

Natural Grain Black Linden Wood

Option price: \$325

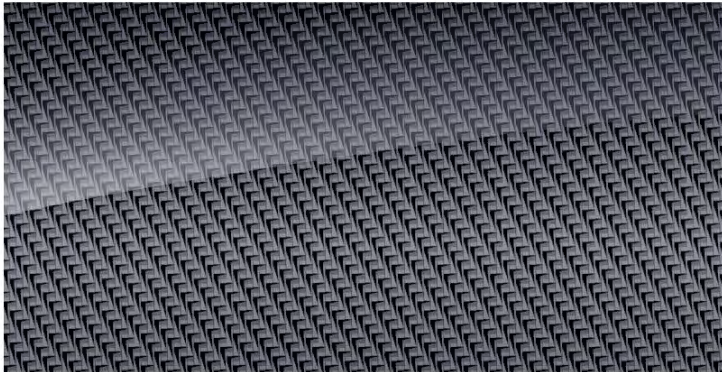


H23

Natural Grain Brown Walnut Wood

Option price: \$325

Not available w/ AMG Line (DG3PKG)



H62

Carbon Structure

Option price: \$0

Requires AMG Line (DG3PKG)





<i>Code</i>	<i>Packages</i>	<i>Availability</i>	<i>MSRP</i>
DP1PKG	Premium Package <ul style="list-style-type: none"> ▪ Blind Spot Assist (234) <i>incl. Exit Warning Assist</i> ▪ 10.25" Media Display with Touchscreen (859) ▪ 10.25" Digital Instrument Cluster (458) ▪ KEYLESS-GO Package (P17): HANDS-FREE ACCESS (871) + KEYLESS-GO (889) ▪ Mirror Package (P49): Auto-dimming rearview and driver-side mirrors (249) + Power-folding side mirrors (500) 	All Models	\$ 2,200
DA2PKG	Driver Assistance Package <i>Requires Premium Package (DP1PKG) and Multimedia Package (DA5PKG)</i> <ul style="list-style-type: none"> ▪ 23P - Driver Assistance Package: <ul style="list-style-type: none"> - Active Distance Assist DISTRONIC - Active Speed Limit Assist - Route-Based Speed Adaptation - Active Steering Assist - Active Lane Changing Assist - Active Emergency Stop Assist - Active Brake Assist with Cross-Traffic Function - Evasive Steering Assist - Active Lane Keeping Assist - Active Blind Spot Assist - PRE-SAFE® PLUS with PRE-SAFE® Sound 	All Models	\$ 2,250
DA3PKG	Parking Assistance Package <i>Requires Blind Spot Assist (234)</i> <ul style="list-style-type: none"> ▪ Surround View System (501) ▪ Active Parking Assist (235) 	All Models	\$ 1,090
DA4PKG	Exterior Lighting Package <ul style="list-style-type: none"> ▪ Adaptive Highbeam Assist (608) ▪ Active LED Headlamps (640) 	All Models	\$ 900



<i>Code</i>	<i>Packages</i>	<i>Availability</i>	<i>MSRP</i>
DA5PKG	<p>Multimedia Package <i>Requires Premium Package (DP1PKG)</i></p> <ul style="list-style-type: none"> ▪ MB Navigation (365) ▪ Augmented Video for Navigation (U19) ▪ Traffic Sign Assist (513) 	All Models	\$ 1,150
DG3PKG	<p>AMG Line</p> <ul style="list-style-type: none"> ▪ AMG Line (950): - AMG Body Styling (772) - 19" AMG Twin 5-Spoke Wheels (RTF) - Multifunction Sport Steering Wheel in Nappa Leather (L5C) - Carbon Structure Trim (H62) - Sport seats with adjustable head restraints (7U4) - Floor mats in black with AMG inscription (U26) - Upholstery 651 or 159 - AMG sports pedals in brushed stainless steel with rubber studs - Diamond-block grille with chrome pins and silver louvre with inlays in chrome - Brakes w/ perforated front brake discs & front calipers w/ Mercedes-Benz logo 	All Models	\$ 2,600
DC1PKG	<p>Night Package <i>Requires AMG Line (DG3PKG)</i></p> <ul style="list-style-type: none"> ▪ Night Package (P55): - 19" AMG Twin 5-spoke Wheels w/ Black Accents (RTG) - Exterior mirror housings painted in black - Diamond-block grille with pins in chrome and louvre painted in high-gloss black with inlays in chrome - Front splitter painted in high-gloss black - Rear apron with trim painted in high-gloss black - Beltline trim strip and window line trim in high-gloss black - Side sill panels with inlay painted in high-gloss black - Roof rails in matte black 	All Models	\$ 400

Stand-Alone Options



<i>Code</i>	<i>Options</i>	<i>Availability</i>	<i>MSRP</i>
232	Garage Door Opener <i>Requires Premium Package (DP1PKG)</i>	All Models	\$ 280
234	Blind Spot Assist <i>incl. Exit Warning Assist</i>	All Models	\$ 550
401	Heated and Ventilated seats <i>Not w/ upholstery 651 or Heated Front Seats (873)</i>	All Models	\$ 1,030
409	Multicontour Seats <i>Not available w/ AMG Line (DG3PKG) or Night Package (DC1PKG) Only available w/ upholstery 101 or 105</i>	All Models	\$ 590
413	Panorama Roof	All Models	\$ 1,500
443	Steering Wheel Heating <i>Adds non-flattened steering wheel (L3B) - also with AMG Line (DG3PKG)</i>	All Models	\$ 250
457	Suspension with Adaptive Damping System <i>incl. Direct-Steer System (213)</i>	All Models	\$ 850
463	Head-Up Display	All Models	\$ 1,110
536	SiriusXM® Radio	All Models	\$ 460
810	Burmester® Surround Sound System	All Models	\$ 850
847	3 rd Row Seats <i>-delayed availability (production from 10/2019)-</i>	All Models	\$ TBD
873	Heated Front Seats	All Models	\$ 580
877	64-Color Ambient Lighting <i>Front chrome air vents interior changes to chrome instead of black</i>	All Models	\$ 310
889	KEYLESS-GO	All Models	\$ 550
897	Inductive Wireless Charging & NFC Pairing	All Models	\$ 200
77B	MBUX Interior Assistant (Gesture Control) <i>-available from December 2019-</i> <i>Requires Premium Package (DP1PKG)</i>	All Models	\$ 300

Stand-Alone Options



<i>Code</i>	<i>VPC Installed Accessories</i>	<i>Availability</i>	<i>MSRP</i>
D03	Illuminated Star <i>Not w/ Driver Assistance Package (DA2PKG)</i>	All Models	\$ TBA
D07	Wheel Locking Bolts	All Models	\$ TBA
D08	Chrome Door Handle Inserts	All Models	\$ TBA
D11	Rear Spoiler <i>Not w/ Rear Spoiler Carbon Style (D20)</i>	All Models	\$ TBA
D16	LED Logo Projector	All Models	\$ TBA
D17	Mirror Housing Cover Carbon Style <i>Not w/ Night Package (DC1PKG)</i>	All Models	\$ TBA
D19	Rear Chrome Trim	All Models	\$ TBA
TBA	Rear Spoiler Carbon Style <i>Not w/ Rear Spoiler (D10) or Rear Spoiler Black (D21)</i>	All Models	\$ TBA
TBA	Side Cladding Carbon Style	All Models	\$ TBA



Comparison Standard vs. AMG Line



Standard



AMG Line (DG3PKG)



Comparison AMG Line vs. AMG Line + Night Package



AMG Line (DG3PKG)



AMG Line (DG3PKG) + Night Package (DC1PKG)

Mercedes-Benz User Experience (MBUX)

MBUX - the newest head unit generation from Mercedes-Benz

Standard on all GLB models

- Offered with two 7" digital displays as standard (10.25" digital displays as optional equipment)
- MBUX was designed for a touch interface with intuitive operation
- There are four ways of interacting with the system:
 - An all-new Touchpad, Touch Control Buttons on the steering wheel, a touchscreen center display, and an all-new generation of Voice Control
- Multiple users can set up Profiles which save their settings for future use
 - Including: seat settings, music preferences and radio settings, phone settings, themes/moods, Bluetooth connections, etc.
- Over time, the system learns more about it's owners and creates Suggestions based on past behavior of the user
- Whole groups of settings can be saved together in the form of a Theme/Mood
 - Including: ambient lighting, climate control, music preferences, and setup of the Digital Instrument Cluster and head unit display, etc.
- Using over-the-air updates, MBUX can continuously be improved over time
- The system is very quick and responsive due to it's impressive graphics processing and computing power

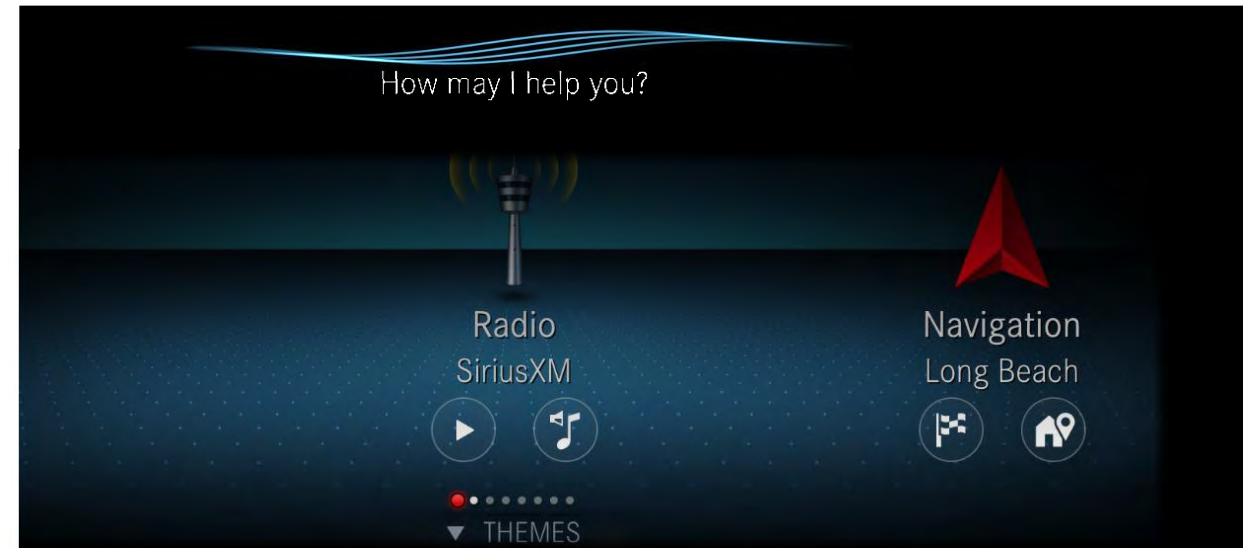


Voice Control

The most advanced Voice Control in any Mercedes-Benz vehicle

Standard on all GLB models

- Voice Control with MBUX is greatly enhanced over other systems by using both an onboard and offboard system for voice recognition
 - This ensures quick and appropriate responses
- The system also uses Natural Language Understanding so there's no need to remember the order of words for a specific command, just talk to the voice assistant as you would speak to another person
 - There are many ways of saying the same thing: *"I'm feeling cold"*, or *"Set the temperature to 72 degrees"*, or even *"I'm cold"*
- Indirect commands can also be given like *"Will I need an umbrella today?"* and the Voice Control system understands that the user is really asking whether it will rain today
- In-vehicle components can also be controlled via Voice Control, like seat heating, climate control, ambient lighting, massage programs, and even the sunshade for the Panorama roof
- Voice Control is also capable of learning from its users and adjusting its understanding to their specific way of speaking
- Keyword Activation ensures you can quickly interact with Voice Control without having to press the button on the steering wheel
 - The system wakes up with a simple *"Hey Mercedes"* or *"Hi Mercedes"*





MBUX Interior Assistant (77B)



MBUX Interior Assistant (77B) -available from 12/2019-

Option Price: \$300

Available on all GLB models

Enjoy contactless ease of operation: this innovative system detects and interprets your hand and arm movements. As such you can activate selected functions in a matter of seconds. As part of this the system is able to differentiate between driver and front passenger – so that you reach precisely the menus you wish to use.

- 3D camera in the overhead control panel, proximity sensors near the media display and touchpad
- The system detects and interprets hand movements and as part of this differentiates between the driver and front passenger
- Specifically highlights certain elements in the media display or enlarges them (media/radio, seat adjustment, navigation or Active Parking Assist)
- Activate reading lamp – move hand up and down beneath rear-view mirror
- Activate search light – stretch hand out towards the unoccupied front passenger seat
- Call up the personal favorites menu – defined gestures, form a "V" using index and middle fingers



Comparison 7" Screen vs. 10.25" Screen



2x 7" Screen

Standard on GLB 250 and GLB 250 4MATIC



2x 10.25" Screen

Requires Premium Package (DP1PKG)



Comparison Steering Wheels



Multifunction Steering Wheel in Leather (L3E)
w/ touch control buttons and shift paddles
Standard on GLB 250 and GLB 250 4MATIC
Not available w/ Steering Wheel Heating (443)



Multifunction Steering Wheel in Leather (L3B)
w/ touch control buttons and shift paddles
Requires Steering Wheel Heating (443)



Multifunction Sport Steering Wheel in Nappa Leather (L5C)
w/ touch control buttons, shift paddles in silver chrome, perforated
grip area and flattened bottom section
Requires AMG Line (DG3PKG) or Night Package (DC1PKG)
Not available w/ Steering Wheel Heating (443)

Touchpad Controller (448)



Touchpad Controller (448)

Standard on all GLB models

The functions of MBUX can be controlled intuitively via the innovative touchpad, using single or multi-finger gestures (multi-touch):

- Touchpad approx. 3.35 x 3.54 inches in size
- Additional full-fledged input option supplementing the central controller, Touch Control Buttons on the steering wheel and voice control
- Recognizes single and multi-finger gestures (multi-touch), swiping movements and zoom gestures achieved by spreading the fingers or pinching them together
- Innovative handwriting recognition feature: Users are able to input letters, special characters and numbers in their normal handwriting, in any language available in the headunit
- 3 buttons located on the touchpad allow fast and direct operation of important functions
- Clear haptic feedback when using the touchpad or keys

Off-Road Engineering Package (430)



Off-Road Engineering Package (430)

Standard on GLB 250 4MATIC, not available on GLB 250

As standard, vehicles with 4MATIC feature an Offroad driving mode, which can be selected via the DYNAMIC SELECT switch. Turned on, the Offroad driving mode offers the following features for a safer and more comfortable off-road driving experience:

- 4MATIC with an aimed torque split of 50:50 for excellent traction even in difficult conditions
- Downhill Speed Regulation (can be activated separately)
 - Improves active safety by enabling a pre-selected vehicle speed to be maintained when driving downhill or on easy off-road terrain
 - Can be activated in the speed range from approx. 1 to 11 mph; a set speed of up to 21 mph can be selected in 1 mph steps using the cruise control lever
- Adjusted characteristic lines for ABS, ESP®, ETS, accelerator pedal and gear shift points
- Visualization of relevant information in the instrument cluster, the media display or the head-up display:
 - Accelerator pedal position in %
 - Brake pedal position in %
 - Status display of Downhill Speed Regulation
 - Vehicle inclination angle, side tilt angle
 - Steering angle in degrees
 - Uphill or downhill gradient in %





3rd Row Seats (847)

Standard	3 rd Row Seats (847)
2nd seat row (length adjustable) w/o Easy Entry	2nd seat row (length adjustable) + 3rd seat row + Easy Entry



Split (40:20:40)	✓	✓
Backrest adjustable in 8 positions	✓	✓
Length adjustable in 15 positions	✓	✓
Easy Entry	✗	✓
3rd seat row	✗	✓

Seat adjustments 2nd seat row

8 different adjustments:

- Standard position
- Comfort adjustment at -2°
- 5 cargo adjustments at every +2 degrees up to 10°
- Easy entry adjustments at 50°
- Folded flat

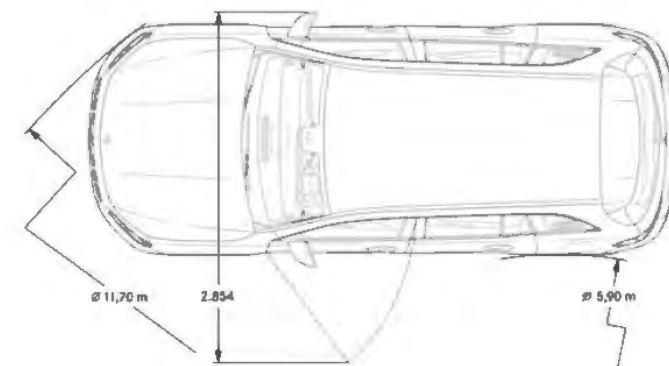
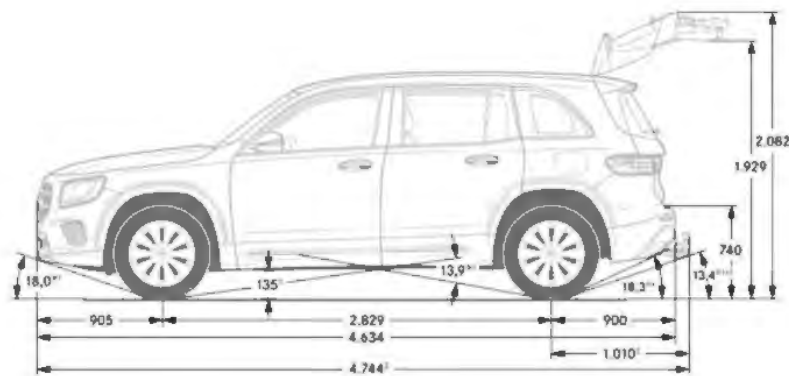
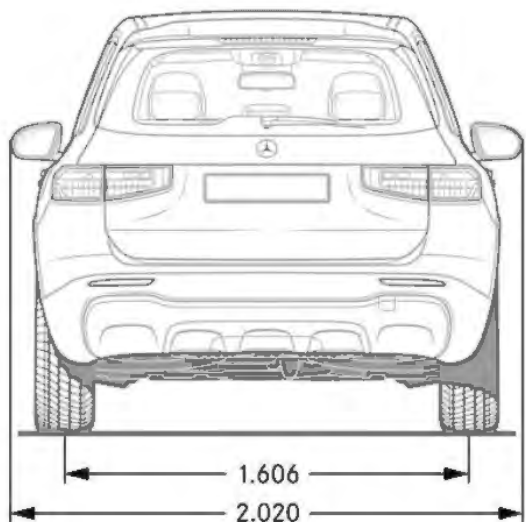
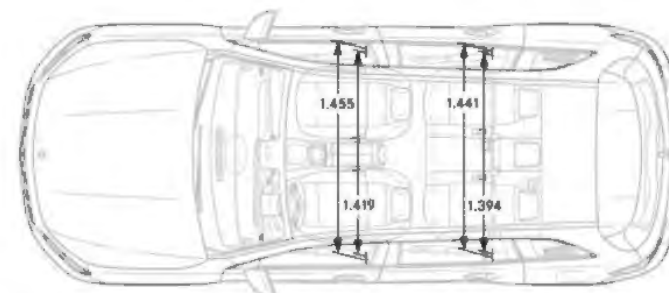
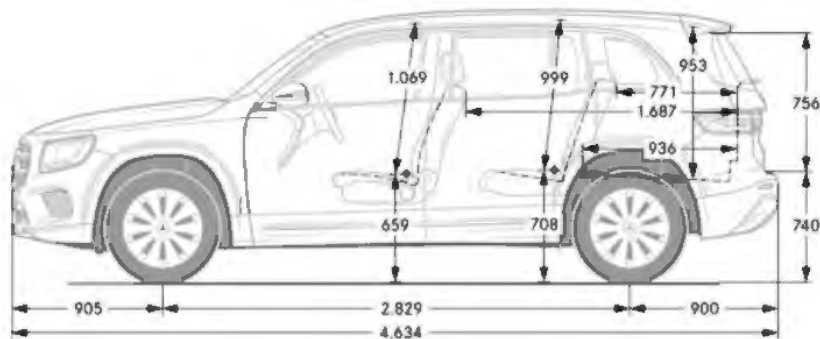
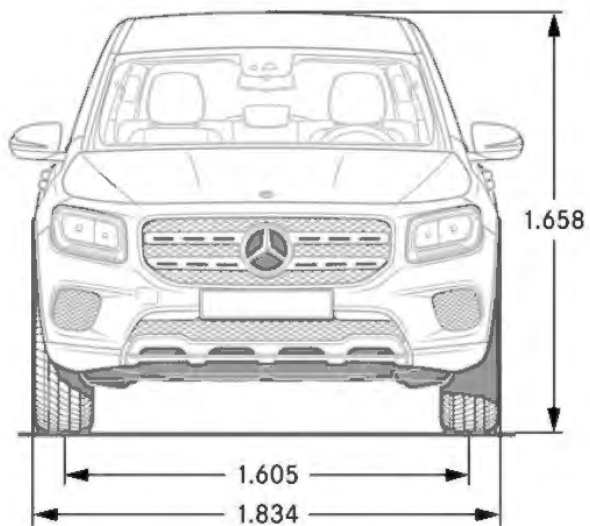
Adjustable 2nd SR (standard)
3rd SR with easy-entry-function (option)

Dimensions:
 -50mm (left), +90mm (right), Σ 140mm (total width)
 -50mm (left), +220mm (right), Σ 270mm (total length)
 Base Position



	<i>GLB 250</i>	<i>GLB 250 4MATIC</i>
Engine Configuration	2.0L inline-4 turbo	2.0L inline-4 turbo
Power (hp)	221	221
Torque (lb-ft)	258 @ 1,800 – 4,000	258 @ 1,800 – 4,000
Displacement (cc)	1,991	1,991
Acceleration 0-60 mph (sec)	tba	tba
Fuel Economy (Cty/Hwy/Comb)	tba	tba
Top Speed (mph)	130	130
Fuel Requirement (Octane)	91	91
# Valves per cylinder	4	4
Compression	10.5 : 1	10.5 : 1
Transmission	DCT (Dual Clutch Transmission)	DCT (Dual Clutch Transmission)
Transmission Speeds	8	8
Drive Configuration	Front Wheel Drive	Variable-Torque All-Wheel Drive
Fuel Tank Size (gallons)	15.9	15.9
Trunk Size (cubic feet)	tba	tba
Curb Weight (lbs)	tba	tba
Vehicle Length (in.)	182.4	182.4
Vehicle Width w/ exterior mirrors (in.)	79.5	79.5
Vehicle Height (in.)	65.3	65.3
Wheelbase (in.)	111.4	111.4
Track Width Front/Rear (in.)	63.2 / 63.2	63.2 / 63.2

Specifications – GLB 250/GLB 250 4MATIC



Specifications – GLB 250/GLB 250 4MATIC w/ AMG Line

