

GLC Coupe



C253

Model Year 2020

Subject to Change

Mercedes-Benz

The best or nothing.

Mercedes-Benz USA



GLC Coupe MY20



Important note

The information presented in this guide is based on the most current information available and is intended for internal use only. Mercedes-Benz reserves the right to make changes at any time, without notice, to colors, materials, equipment, special specifications and models.

Pricing may not yet be finalized for some models or options.

Due to variances among monitors and printers the colors that appear on your screen and printouts may not be exact.

For illustrative purposes, some images may show vehicles with European Specification.

Revision History

<i>Date</i>	<i>Changes</i>
3/25/2019	Initial publication.
4/16/2019	- Moved Rear Cross-Traffic Alert to Parking Assistance Package (DA3)
5/2/2019	- Updated minor verbiage to improve clarity - Updated pricing on packages (subject to change)
5/8/2019	GLC63 and GLC63 S have been added
5/15/2019	- Updated pricing for Mercedes-Benz and Mercedes-AMG models
6/7/2019	- 77B option removed from offering - Updated pricing for Mercedes-Benz models - Updated offering for Emergency Spare Wheel (690) - Trunk cargo volume is 49.4 cubic feet
7/11/2019	- Updated descriptions - Added "What's New" page on updated package and accessory codes
7/17/2019	GLC43 added
7/18/2019	- Made corrections throughout document - Added data to specifications page
9/5/2019	- 92R/93R/RZX wheels in constraint for September/October - Updated plausibility for Digital Instrument Cluster (464) - Updated VPC accessories - Updated specifications - Updated descriptions throughout document - Clarification added for USB that the ports are USB-C
10/3/2019	- Removed D12 from AMG Accessories offering - Changed price for USB-C Adapter Cable (D25) to \$25 (previously \$20)



GLC 300 4MATIC



Models



What's new



Standard Equipment



Exterior Paint Colors



Wheels



Interior Upholstery



Interior Trims



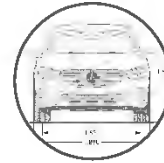
Option Packages



Stand-Alone Options



Options in Detail



Specifications



GLC 300 4MATIC Coupe (253.384)

- MSRP \$50,000
- 2.0L inline-4 turbo engine
- 9-Speed Automatic Transmission
- 255 hp
- 273 lb-ft
- 6.2 sec (0-60 mph)
- Launch date: Fall 2019





Performance & Handling

- New M264 2.0L Inline-4 Turbocharged Engine with power output increase +14hp to 255 hp

Standard Equipment

- Smartphone Integration (Apple CarPlay™, Android Auto) becomes standard
- Premium Package (DP1) now standard: SiriusXM® w/ 6-month free trial (536), KEYLESS-GO® (889), and 64-Color Ambient Lighting w/ Illuminated Door Sills (877+U25)
- Updated steering wheel w/ haptic feedback touchpads and cruise control buttons
- Next-Generation Infotainment System “MBUX” now standard incl. “Hey Mercedes”
- New key design
- SD-Card Pre-Wiring removed from standard equipment
- 10.25” Center Touchscreen now available and is standard
- Blind Spot Assist (234) now standard

Optional Equipment

- LED Intelligent Light System available in Exterior Lighting Package
- 64-Color Ambient Lighting now available and added to Premium Package
- Augmented Video for Navigation (U19) now available in Multimedia Package
- Emergency Spare Wheel (690) now available as a standalone option
- Ski & Snowboard Bag (282) discontinued
- 12.3” Digital Instrument Panel available
- Inductive Wireless Charging and NFC Pairing (897) added as standalone option
- Next generation Driver Assistance technology available in Driver Assistance Package
- AMG Line receives Diamond Grille w/ single lamella
- Leather Package (318) deleted
- Passenger Seat Memory w/ Adjustable Thigh Support now a standalone option (242)

Interior Upholstery

- 234 Saddle Brown Leather discontinued
- P87 *designo* Black Leather discontinued
- Magma Grey (128 MB-Tex & 228 Leather) now available
- AMG Line Saddle Brown (164 MB-Tex & 264 Leather) now available

Trims

- Light Brown Linden Wood (H24) discontinued.
- Natural Grain Walnut Wood Trim (H33) now available
- Natural Grain Grey Oak Wood Trim (H31) now available





Paints

- Graphite Grey Metallic (831) now available
- Selenite Grey Magno (297) now available on GLC 300 4MATIC (previously only AMG)

Wheels

- 20" 5-Spoke Wheels with Black Accents (29R) discontinued
- New 19" 10-Spoke Alloy Wheels (R58) now available
- New 20" Split 5-Spoke Wheels (30R) now available
- New 20" AMG Y 5-Spoke Wheels (RZX) now available



Exterior Comparison MY19 (C253) vs. MY20 (C253)



European picture shown - wheels n/a in US for MY19

Interior Comparison MY19 (X253) vs. MY20 (X253)



Picture shows optional Equipment



Options shown: 264 Saddle Brown Leather, H33 Natural Grain Walnut Wood Trim, 464 Digital Instrument Cluster (optional), 810 Burmester Surround Sound System, and DG3 AMG Line elements shown.



Exterior Highlights



MB Exterior
Standard

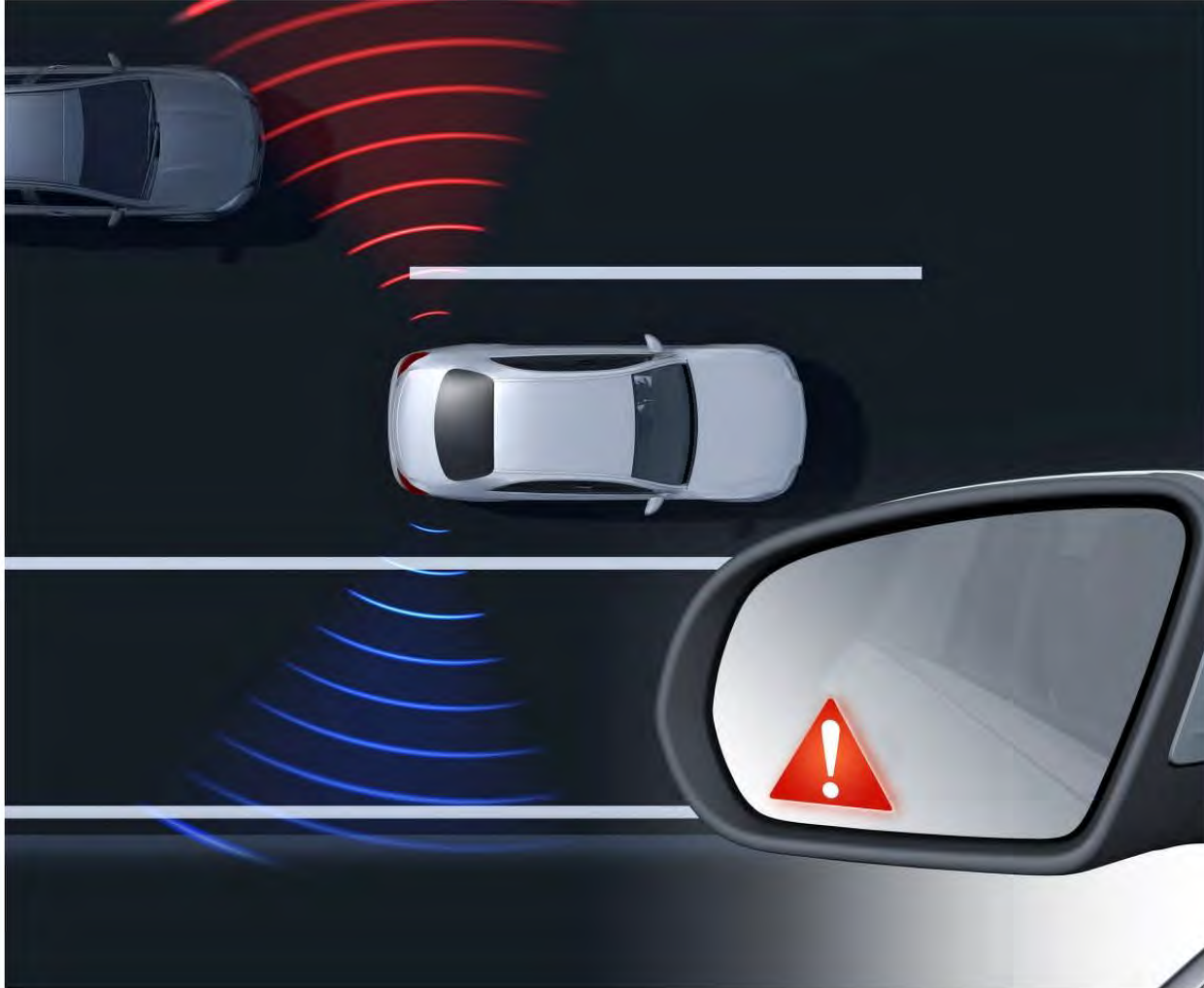


AMG Line
DG3





Blind Spot Assist (234)



Blind Spot Assist (234)

Now standard

As a leader in safety innovation since the beginning of the automobile, Mercedes-Benz now offers the 2020 GLC with Blind Spot Assist as a standard feature. The vehicle will give visual and auditory indicator when a vehicle is in the blind spot. If the driver uses the turn indicator to make a lane change with a vehicle in the blind spot, the system will give an feedback sound that it is not safe to move into the lane.



Mercedes-Benz User Experience (MBUX)

MBUX - the newest head-unit generation from Mercedes-Benz

Standard

- MBUX was designed for a touch interface with intuitive operation
- There are four ways of interacting with the system:
 - An all-new Touchpad, Touch Control Buttons on the steering wheel, a touchscreen center display, and an all-new generation of Voice Control
- Multiple users can set up profiles which save their settings for future use
 - Including: seat settings, music preferences and radio settings, phone settings, themes/moods, Bluetooth connections, etc.
- Over time, the system learns more about its owners and creates suggestions based on past behavior of the user
- Whole groups of settings can be saved together in the form of a Theme/Mood
 - Including: ambient lighting, climate control, music preferences, and setup of the Digital Instrument Cluster and head unit display, etc.
- Using over-the-air updates, MBUX can continuously be improved over time
- The system is very quick and responsive due to its impressive graphics processing and computing power

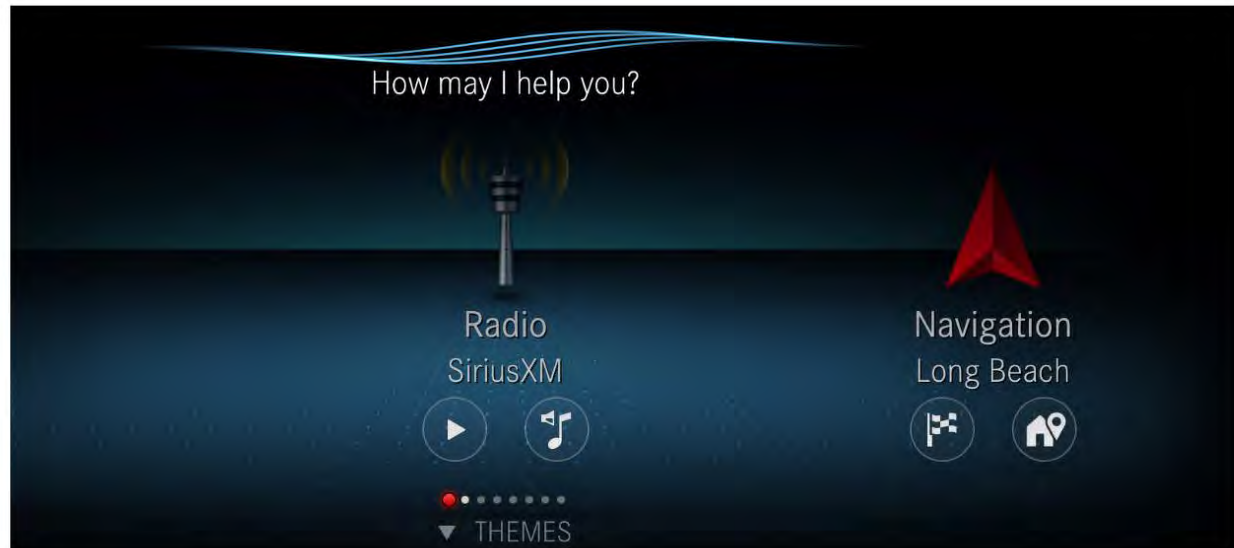


Voice Control

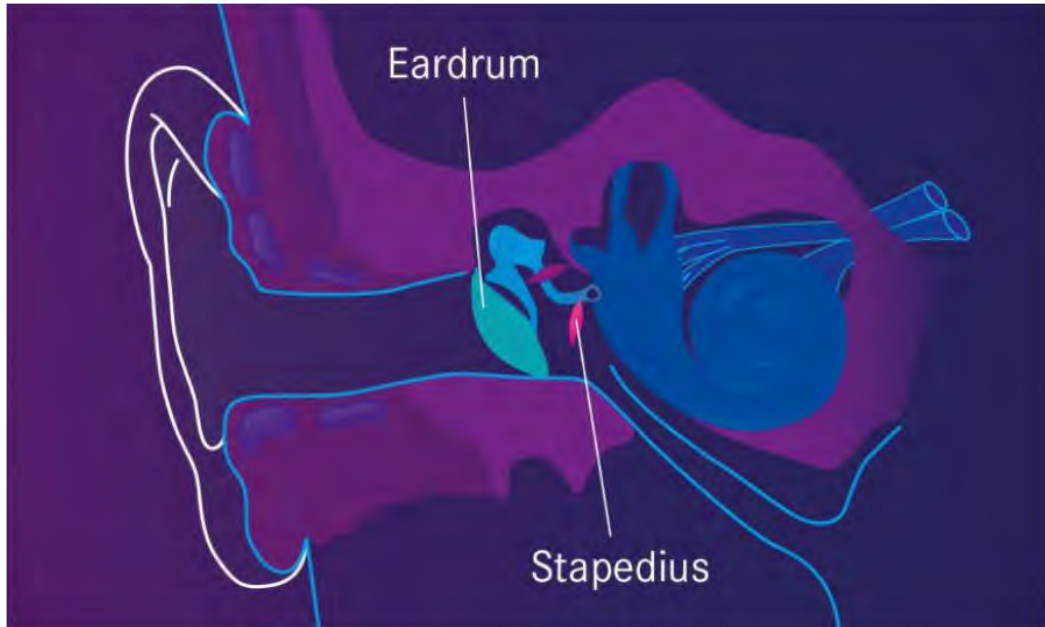
One of the most advanced Voice Control systems in the industry

Standard

- Voice Control with MBUX is greatly enhanced over other systems by using both an onboard and offboard system for voice recognition
 - This ensures quick and appropriate responses
- The system also uses Natural Language Understanding so there's no need to remember the order of words for a specific command, just talk to the voice assistant as you would speak to another person
 - There are many ways of saying the same thing: *"Take me to Starbucks"*, or *"Find a Starbucks nearby"*, or *"Is there a Starbucks close?"*, or even *"I need a coffee"*
- Indirect commands can also be given like *"Will I need an umbrella today?"* and the Voice Control system understands that the user is really asking whether it will rain today
- In-vehicle components can also be controlled via Voice Control, like seat heating, climate control, ambient lighting, massage programs, and even the sunshade for the Panorama roof
- Voice Control is also capable of learning from its users and adjusting its understanding to their specific way of speaking
- Keyword Activation ensures you can quickly interact with Voice Control without having to press the button on the steering wheel
 - The system wakes up with a simple *"Hey Mercedes"*



PRE-SAFE Sound



PRE-SAFE® Sound

Standard

Part of PRE-SAFE, PRE-SAFE Sound is an acoustic occupant preconditioning system which can reduce the effects of the noise from an accident on the occupants hearing.

- When the PRE-SAFE system recognizes a certain dangerous situation, the onboard sound system plays a brief rushing sound, also known as 'Pink Noise,' to precondition the hearing
- The natural reflex mechanism of the stapedius muscle enables the inner ear to rapidly prepare for the accident-induced high pressure sound
- Up to 40% reduction of noise exposure impact



10.25" Center Touchscreen Display (859)



10.25" Center Touchscreen Display (859)

Standard

Newly standard is a 10.25" widescreen high-resolution touchscreen display, perfect for operating all functions of the vehicle. The touchscreen operates in a smartphone-like fashion, responding to touch with accuracy and precision and with regular feedback consistent with what smartphone users expect out of a highly functional touchscreen.

Using navigation (optional), smartphone integration (standard), or simply setting any number of vehicle settings is now easier than ever before.



LED Headlamps (632) & LED Intelligent Light System (640)



LED Headlamps (632)

Standard

- Redesigned LED headlamps are now standard equipment improving the look of the standard GLC as well as providing increased safety due to brighter and higher quality headlamps.



LED Intelligent Light System (640)

Optional

- Redesigned headlamp incorporates updated technology and look for the GLC
- Ultra Wide Beam produces light at an increased width for maximum illumination of the road and surrounding area
- Adaptive Highbeam Assist is part of the LED Intelligent Light System and allows drivers to drive with highbeams activated at all times. System will automatically deactivate highbeams in the presence of oncoming traffic so as not to blind oncoming drivers.

Steering Wheel



3-spoke Nappa Leather Multifunction Steering Wheel
Standard



3-spoke Nappa Leather Sport Multifunction Steering Wheel
AMG Line

The newly redesigned 3-spoke multifunction steering wheel in nappa leather combines a sporty design, compact dimensions, and fine materials.

- Steering wheel shift paddles integrated into the back of the steering wheel cross spokes enable manual gear shifting and support a sporty driving style.
- Optional Active Distance Assist DISTRONIC® or standard cruise control is controlled via steering wheel-mounted controls.
- Touch Control buttons for direct control of the instrument cluster (analogue or digital) and to control the functions of the multimedia system.



Inductive Wireless Charging and NFC Pairing



Inductive Wireless Charging and NFC Pairing (897)

Option price: \$200

Driving time becomes charging time - with just a simple hand movement your smartphone can be fixed in place in the center console where it is charged wirelessly. Irrespective of the model and brand, all smartphones meeting the Qi standard are charged wirelessly.

Components:

- Wireless charging for numerous mobile phones that support or can be upgraded to support the Qi standard
- Quick establishment of connection between the multimedia system and mobile phone via Near Field Communication (NFC) for mobile device identification
- Charging area in the front tray in the center console for mobile devices





Digital Instrument Cluster



Digital Instrument Cluster (464)

Option price: \$750

For MY2020, the GLC will now offer the option to have a high-resolution 12.3" digital instrument cluster with three different modes: Classic, Sport, and Progressive. The GLC integrates the digital instrument cluster within the dash so the geometry of the dash is the same as without the option.

The three separate modes allow the driver to customize the digital instrument cluster to his/her liking. Additionally, with the added digital space, there is greater functionality for navigation, multimedia, and other information within the digital instrument cluster itself.



Pictured Top: "Classic" design

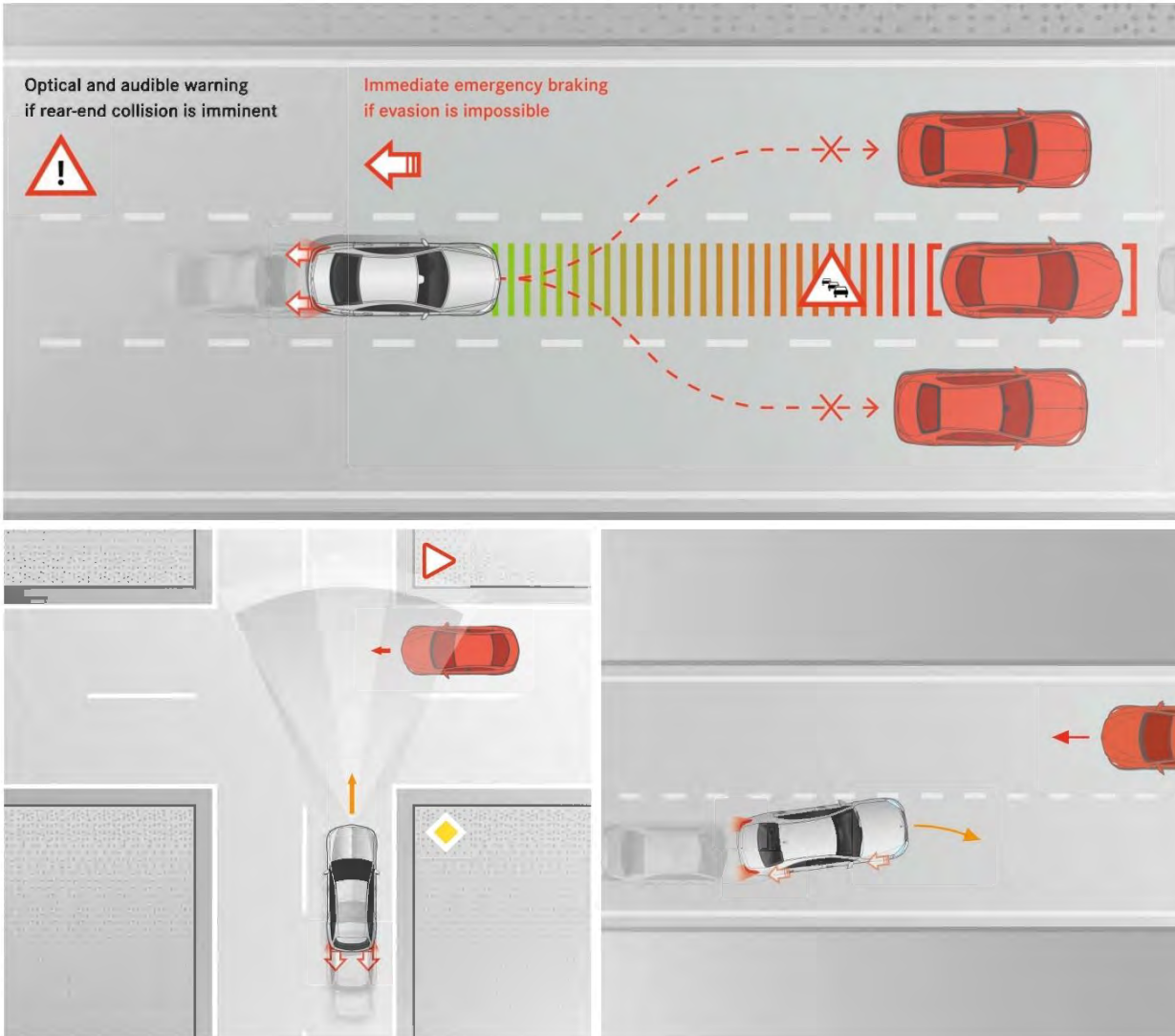
Pictured Middle: "Sport" design

Pictured Bottom: "Progressive" design





Driver Assistance Package



Driver Assistance Package (DA2)

Option price: \$1,700

- **Active Distance Assist DISTRONIC®** is able to follow a vehicle in front at a pre-selected distance at wider range of speeds
- **Active Steering Assist** functions at a wider range of speeds and can now actively intervene even if road lines are unclear or non-existent at certain speeds; can now function in curves with a tighter radius
- **Active Emergency Stop Assist** brakes the vehicle to a standstill in its lane if it detects that the driver is no longer actively driving the vehicle while it is on the move with Active Distance Assist DISTRONIC and Active Steering Assist engaged. Can now unlock the doors when the vehicle is stationary to allow first aid responders immediate access to the vehicle's interior. The system simultaneously makes an emergency call
- **Active Lane Change Assist** is a radar-and-camera-based system that aids the driver when changing lanes. When a turn is indicated, this feature will aid with steering into the adjacent lane if it detects the lane is empty
- **Active Speed Limit Assist** can adapt vehicle speed to identified speed limits and can now adjust preemptively when speed limits are going to change
- **Route-Based Speed Adaptation** the vehicle is now able to reduce the speed in anticipatory mode by referencing the COMAND map data ahead of bends, junctions, roundabouts, toll booths and exit roads.
- **Active Brake Assist with Cross-Traffic Function**
- **Evasive Steering Assist** this system assists by adding calculated steering torque to aid in steering wheel movement when a driver deliberately or instinctively performs an evasive maneuver around a pedestrian
- **Active Blind Spot Assist** is active at a wider range of speeds and informs the driver to help avoid an imminent side impact by single-sided braking
- **Active Lane Keeping Assist** is active now at a wider range of speeds



New Codes for Packages and Accessories

PACKAGE CODES

Old Code	New Code	Description
P01	DP1	Premium Package
320	DA5	Multimedia Package
319	DA4	Exterior Lighting Package
996	DA3	Parking Assistance Package
997	DA2	Driver Assistance Package
321	DG3	AMG Line
521	DC1	Night Package
P62	DD1	<i>designo</i> Platinum White/Black

ACCESSORY CODES

Old Code	New Code	Description
00A	D03	Illuminated Star
068	D07	Wheel Locking Bolts
070	D08	Door Handle Inserts, Chrome
104	D10	Rear Spoiler, Body Color
11A	D12	Mirror Housing Covers, Black
21A	D21	Rear Spoiler, Black
15A	D16	LED Logo Projectors
16A	D17	Mirror Housing Covers, Carbon Style
18A	D18	Front Trim, Chrome
19A	D19	Rear Trim, Chrome





Performance & Handling

- 2.0L inline-4 turbo engine
- 9G-TRONIC 9-Speed Automatic Transmission
- 4MATIC® Permanent All-Wheel Drive (GLC 300 4MATIC)
- ECO Start/Stop System
- DYNAMIC SELECT
- Independent Front/Rear Suspension

Comfort & Convenience

- MBUX intelligent vehicle assistant (“Hey Mercedes”)
- 10.25” center touchscreen display
- Heated Front Seats
- Power Front Seats with Driver Memory
- SiriusXM® Satellite Radio w/ 6-month Trial (536)
- KEYLESS-GO® (889)
- KEYLESS START
- 64-Color Ambient Lighting w/ Illuminated Door Sills (877+U25)
- Bluetooth® Technology (for Handsfree Phone Use/Audio Streaming)
- Two USB-C Ports
- Dual-Zone Automatic Climate Control
- Multifunction leather steering wheel w/ Touch Control Buttons
- Touchpad with haptic feedback
- Power-Folding Side Mirrors
- Frontbass® Audio System
- HD Radio
- 4-way Lumbar Support
- Power Tilt & Telescoping Steering Column
- Electronic Cruise Control
- Power Windows with Express Up and Down
- Storage Package
- Garage Door Opener
- Intermittent Wipers with Rain Sensor
- Auto-Dimming Driver & Rearview Mirror
- Split-Folding Rear Seats (40/20/40)
- Power Liftgate
- Sunroof

Safety & Security

- New Vehicle 4 Year/50,000 Mile Warranty
- 24h Roadside Assistance Program
- Blind Spot Assist (234)
- LED Headlamps and Taillamps
- PRE-SAFE® now w/ PRE-SAFE Sound
- Active Brake Assist
- 3-point Seat Belt with Pretensioners & Dual-Stage Belt Force Limiter
- Front Dual-Stage Airbags
- Front and Rear Side Window Airbags
- Front Side Airbags
- Driver Kneebag
- Rearview Camera
- ISOFIX Anchor and Tether System
- ATTENTION ASSIST Driver Drowsiness Monitor
- Tire Pressure Monitoring System
- Anti-theft Alarm System

Exterior Paint Colors



Non-metallic Paints



040
Black
Option price: \$0



149
Polar White
Option price: \$0

Metallic Paints



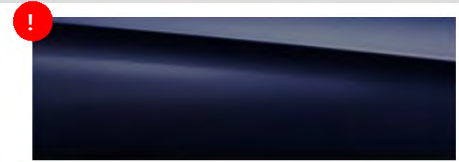
197
Obsidian Black
Option price: \$720



775
Iridium Silver
Option price: \$720



859
Mojave Silver
Option price: \$720



890
Lunar Blue
Option price: \$720



896
Brilliant Blue
Option price: \$720



992
Selenite Grey
Option price: \$720



831
Graphite Grey
Option Price: \$720

designo® Paints designo Paints



996
Cardinal Red Metallic
Option price: \$1,080



799
Diamond White Metallic
Option price: \$1,515



297
Selenite Grey Magno
Option Price: \$2,020



48R
19" 5-Spoke Wheels w/ Grey
Accents
R02, R66
Option price: \$0



R58
19" 10-Spoke Wheels
R02, R66
Option Price \$0



30R
20" Twin 5-Spoke Wheels
R01, R66
Option Price \$750





92R

20" AMG Multispoke Wheels
(staggered)
R02, R66
Option price: \$0
Requires AMG Line (DG3)



93R

20" AMG Multispoke Wheels w/
Black Accents (staggered)
R02, R66
Option price: \$0
Requires Night Package (DC1)



RZX

20" AMG Y 5-Spoke Wheels
(staggered)
R02, R66
Option price: \$0
Requires AMG Line (DG3)



Wheels



<i>Code</i>	<i>Wheel Size</i>	<i>Description</i>	<i>Wheel Dimensions</i>	<i>Mobility</i>	<i>Availability</i>	<i>MSRP</i>
48R	19"	5-Spoke Wheels	235/55 R19 on 8 J x 19 ET 38	R02, R66	All models	\$ 0
R58	19"	10-Spoke Wheels	235/55 R19 on 8.0 J x 19 ET 38	R02, R66	All models	\$ 0
30R	20"	Twin 5-Spoke Wheels	255/45 R20 on 8.5 J x 20 ET 40	R01, R66	All models	\$ 750



<i>Code</i>	<i>Wheel Size</i>	<i>Description</i>	<i>Wheel Dimensions</i>	<i>Mobility</i>	<i>Availability</i>	<i>MSRP</i>
92R	20"	AMG Multispoke Wheels (staggered)	255/45 R20 on 8.5 J x 20 ET 40 285/40 R20 on 8.5 J x 20 ET 40	R02, R66	All models	\$ 0 <i>Requires AMG Line (DG3)</i>
93R	20"	AMG Multispoke Wheels w/ Black Accents (staggered)	255/45 R20 on 8.5 J x 20 ET 40 285/40 R20 on 8.5 J x 20 ET 40	R02, R66	All models	\$ 0 <i>Requires Night Package (DC1)</i>
RZX	20"	AMG Y 5-Spoke Wheels (staggered)	255/45 R20 on 8.5 J x 20 ET 40 285/40 R20 on 8.5 J x 20 ET 40	R02, R66	All models	\$ 0 <i>Requires AMG Line (DG3)</i>

Interior Upholstery – MB-TEX



101

Black MB-TEX

Option price: \$0

Not available with AMG Line (DG3)



115

Silk Beige/Black MB-TEX

Option price: \$0

Not available with AMG Line (DG3)



128

Magma Grey/Black MB-TEX

Option price: \$0

Not available with AMG Line (DG3)



221

Black Leather

Option Price: \$1,620

Not available with AMG Line (DG3)



235

Silk Beige/Black Leather

Option Price: \$1,620

Not available with AMG Line (DG3)



228

Magma Grey/Black Leather

Option Price: \$1,620

Not available with AMG Line (DG3)

Interior Upholstery – AMG Line

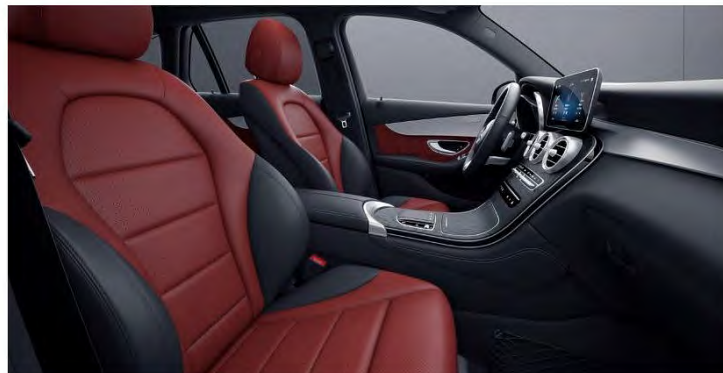


161

AMG Black MB-Tex

Option Price: \$0

Requires AMG Line (DG3)



197

AMG Cranberry Red/Black MB-Tex

Option Price: \$0

Requires AMG Line (DG3)



164

AMG Saddle Brown MB-Tex

Option Price: \$0

Requires AMG Line (DG3)

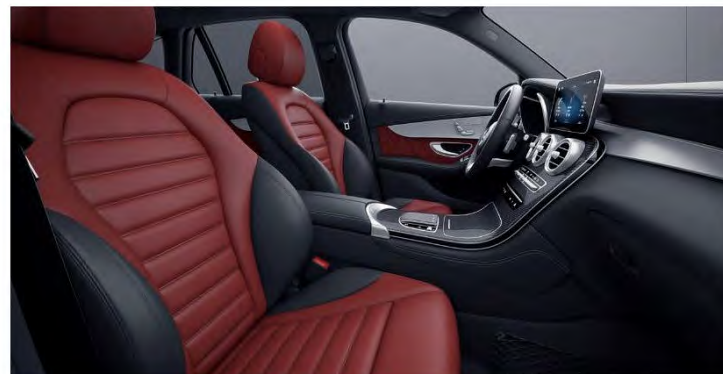


261

AMG Black Leather

Option Price: \$1,620

Requires AMG Line (DG3)



297

AMG Cranberry Red/Black Leather

Option Price: \$1,620

Requires AMG Line (DG3)



264

AMG Saddle Brown Leather

Option Price: \$1,620

Requires AMG Line (DG3)





975

Platinum White Pearl/Black
Requires DD1 designo Package





51U

Black Fabric Headliner

Option price: \$0

Available with all upholsteries

Required by AMG Line (DG3) and designo Package (DD1)



55U

Porcelain Fabric Headliner

Option price: \$0

Available with Silk Beige/Black MB-Tex (115) or Silk Beige/Black Leather (235)

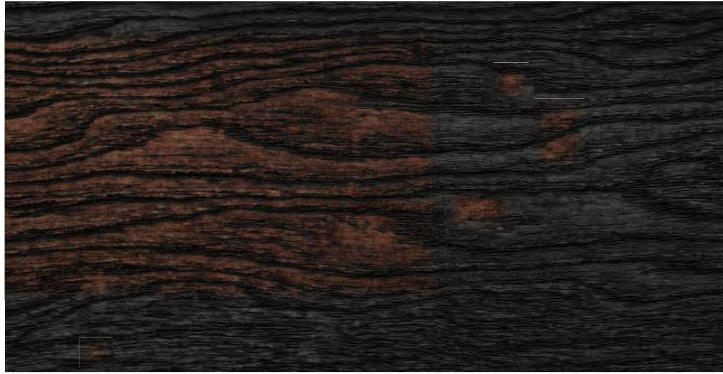
Not available with AMG Line (DG3) or designo Package (DD1)





<i>Code</i>	<i>Upholstery</i>	<i>Seats</i>	<i>Floor Mats</i>	<i>Upper Dash/Lower Dash</i>	<i>Seat Belts</i>	<i>Steering Wheel</i>	<i>Headliner</i>
101	Black MB-Tex	Black	Black	Black	Black	Black	Black
115	Silk Beige/Black MB-Tex	Silk Beige	Black	Black/Silk Beige	Silk Beige	Black	Black or Porcelain
128	Magma Grey MB-Tex	Magma Grey	Black	Black	Black	Black	Black
161	AMG Black MB-Tex	Black	Black	Black	Black	Black	Black
164	AMG Saddle Brown MB-Tex	Black	Black	Black	Black	Black	Black
197	AMG Cranberry Red/Black MB-Tex	Black	Black	Black	Black	Black	Black
221	Black Leather	Black	Black	Black	Black	Black	Black
228	Magma Grey Leather	Magma Grey	Black	Black	Black	Black	Black
235	Silk Beige/Black Leather	Silk Beige	Black	Black/Silk Beige	Silk Beige	Black	Black or Porcelain
261	AMG Black Leather	Black	Black	Black	Black	Black	Black
264	AMG Saddle Brown Leather	Black	Black	Black	Black	Black	Black
297	AMG Cranberry Red/Black Leather	Black	Black	Black	Black	Black	Black
975	Platinum White Pearl/Black <i>designo</i> Nappa Leather	Two-Tone White/Black	Black with White Piping	Black	Black	Black	Black

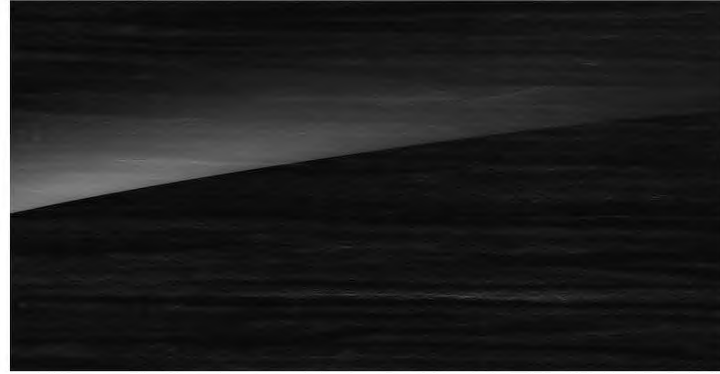




H09

Natural Grain Brown Ash Wood

Option price: \$0



H07

Dark Brown Linden Wood

Option price: \$0



H31

Natural Grain Grey Oak

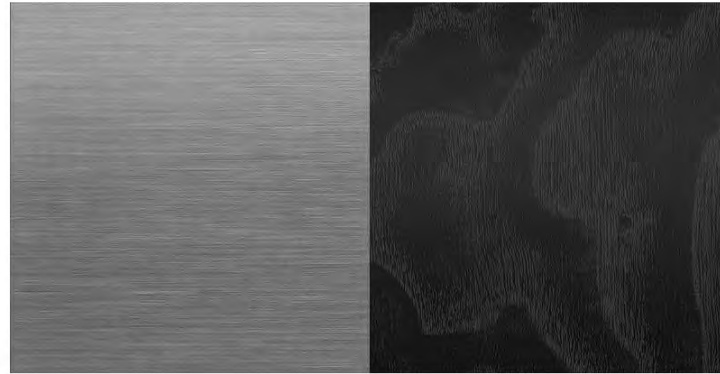
Option price: \$0



H33

Natural Grain Walnut Wood

Option price: \$0



737+739

Natural Grain Black Ash Wood with Aluminum Door
Trim

Option price: \$0





<i>Code</i>	<i>Packages</i>	<i>Availability</i>	<i>MSRP</i>
DP1	Premium Package <ul style="list-style-type: none"> ▪ 889 - KEYLESS-GO® ▪ 536 - SiriusXM® Satellite Radio ▪ 877+U25 - 64-Color Ambient Lighting & Illuminated Door Sills 	All Models	Std.
DA4	Exterior Lighting Package <ul style="list-style-type: none"> ▪ 640 - LED Intelligent Light System ▪ 608 - Adaptive Highbeam Assist 	All Models	\$ 800
DA5	Multimedia Package <ul style="list-style-type: none"> ▪ 365 - Mercedes-Benz Navigation ▪ 367 - Live Traffic ▪ 01U - Navigation Services ▪ U19 - Augmented Video for Navigation ▪ 513 - Speed Limit Assist 	All Models	\$ 1,250
DA3	Parking Assistance Package <ul style="list-style-type: none"> ▪ P44 - Parking Package ▪ P17 - HANDS-FREE ACCESS ▪ 235 - Active Parking Assist ▪ 501 - Surround View System ▪ Rear Cross-Traffic Alert 	All Models	\$ 1,290





Code	Packages	Availability	MSRP
DA2	<p>Driver Assistance Package <i>Requires Multimedia Package (DA5)</i></p> <ul style="list-style-type: none"> ▪ 23P – Driver Assistance Package Plus ▪ 233 – DISTRONIC PLUS with Steering Assist and Stop & Go Pilot ▪ 237 – Active Blind Spot Assist ▪ 238 – Active Lane Keeping Assist ▪ 253 – PRE-SAFE® PLUS ▪ 268 – BAS PLUS with Cross-Traffic Assist ▪ 300 - PRE-SAFE® Brake with Pedestrian Recognition ▪ Active Lane Change Assist ▪ Route-Based Speed Adaptation ▪ Active Speed Limit Assist ▪ Active Emergency Stop Assist 	All models	\$ 1,700
DG3	<p>AMG Line</p> <ul style="list-style-type: none"> ▪ 772 – AMG Line Body Styling ▪ P29 – AMG Line Interior ▪ P31 – AMG Line Exterior ▪ U26 – AMG Line Floor Mats* ▪ Flat-Bottom Multifunction Sport Steering Wheel <i>When ordered with P87 designo Black Nappa Leather package, flat-bottom steering wheel is replaced with round, smooth Nappa leather steering wheel</i> ▪ Front Sport Brakes with Perforated Discs and Mercedes-Benz lettered brake calipers Brushed Aluminum Pedals with Rubber Studs 	All Models	\$ 2,350
DC1	<p>Night Package <i>Requires AMG Line</i></p> <ul style="list-style-type: none"> ▪ P55 – High-Gloss Black Elements: Front wing, grille lamellas, rear diffuser insert, exterior mirrors, beltline and window trim 	All Models	\$ 400



<i>Code</i>	<i>Packages</i>	<i>Availability</i>	<i>MSRP</i>
DD1	<p><i>designo</i> Two-Tone Platinum White Pearl / Black Nappa Leather Package</p> <p><i>Requires Natural Grain Black Ash wood center console with brushed aluminum door trim (739)</i></p> <ul style="list-style-type: none"> ▪ 975 - <i>designo</i> Platinum White Pearl / Black Two-Tone Nappa leather seats in diamond quilt design, with white contrast stitching, and <i>designo</i> badge on backrests of front and rear seats ▪ U04 - <i>designo</i> black floor mats with white border and <i>designo</i> badge in the front floor mats ▪ 51U - Black fabric headliner ▪ U09 - Dashboard and Upper Doors in MB-Tex with topstitching ▪ Additional Nappa leather and Nappa-look trim throughout cabin ▪ Flat-bottom sport multifunction steering wheel in black Nappa leather <i>Standard round steering wheel always replaced</i> 	All Models	\$ 3,800



Stand-Alone Options



<i>Code</i>	<i>Options</i>	<i>Availability</i>	<i>MSRP</i>
U09	MB-TEX Upper Dashboard with Topstitching <i>Included in designo Packages (DD1), Recommended for AMG Line (DG3)</i>	All Models	\$ 350
242	3-Position Memory for Passenger Seat with Adjustable Thigh Support	All Models	\$ 350
401	Ventilated Front Seats <i>Requires Leather Upholstery (not w/ 297)</i>	All Models	\$ 450
443	Heated Steering Wheel <i>AMG Line (DG3) and designo Platinum White Pearl/Black Nappa Leather (DD1) lose Flat-bottom Steering Wheel</i>	All Models	\$ 250
463	Head-Up Display	All Models	\$ 1,100
464	12.3" Digital Instrument Cluster	All Models	\$ 750
581	3-Zone Climate Control	All Models	\$ 760
550	Trailer Hitch – Class II Hitch	All Models	\$ 575
690	Emergency Spare Wheel <i>Equipping this option does not change standard run-flat tires; Emergency Spare Wheel is equipped ready to mount</i>	All Models	\$ 200
810	Burmester® Surround Sound System <i>Recommended</i>	All Models	\$ 850
846	Brushed Aluminum Running Boards	All Models	\$ 650
851	Heat and Noise Insulating Front-Side Glass	All Models	\$ 150
872	Heated Rear Seats	All Models	\$ 580
897	Inductive Wireless Charging & NFC Pairing	All Models	\$ 200

Stand-Alone Options



<i>Code</i>	<i>VPC Installed Accessories</i>	<i>Availability</i>	<i>MSRP</i>
D03	Illuminated Star <i>Not available with Driver Assistance Package (DA2)</i>	All Models	\$ 500
D07	Wheel Locking Bolts	All Models	\$ 150
D08	Door Handle Inserts, Chrome	All Models	\$ 100
D10	Rear Spoiler, Body Color	All Models	\$ 350
D12	Mirror Housing Covers, Black <i>Not available with Mirror Housing Covers, Carbon Style (D17) or Night Package (DC1)</i>	All Models	\$ 250
D16	LED Logo Projectors	All Models	\$ 275
D17	Mirror Housing Covers, Carbon Style <i>Not available with Mirror Housing Covers, Black (D12) or Night Package (DC1)</i>	All Models	\$ 250
D18	Front Trim, Chrome <i>Not available with AMG Line (DG3)</i>	All Models	\$ 250
D19	Rear Trim, Chrome	All Models	\$ 200
D21	Rear Spoiler, Black <i>Not available with Rear Spoiler, Body Color (D10), Black (040) or Obsidian Black (197) paints</i>	All Models	\$ 350
D25	USB-C Adapter Cable	All Models	\$ 25
D33	All-Season Front Floor Mats, Black Rubber	All Models	\$ 120



Headlamps



LED Headlamps (632)

Standard

- All functions feature LED technology
- Integrated LED daytime running lamps with fiber-optics
- Projector LED low beam and reflective LED high beam technology
- Full LED tail lamps with fiber-optics



Active LED Headlamps (640)

Only available with Exterior Lighting Package (DA4)

- All functions of the LED Headlamps plus:
- Active light function for better illumination in curves
 - Dual low/high beam LED projection modules
 - Upgraded look



Side by side comparison while illuminated



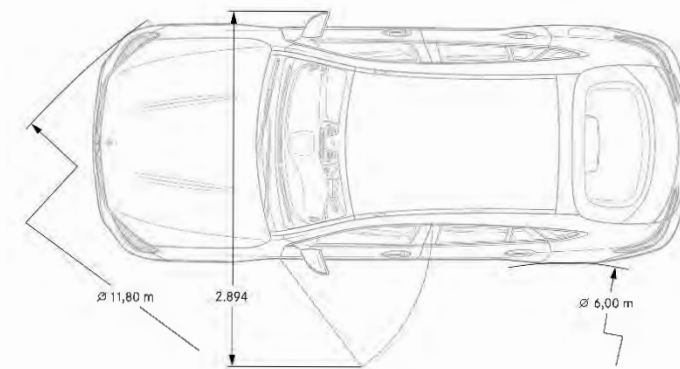
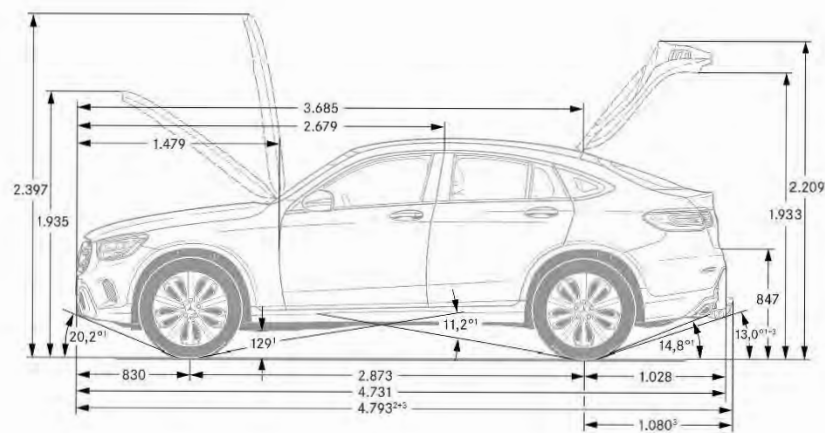
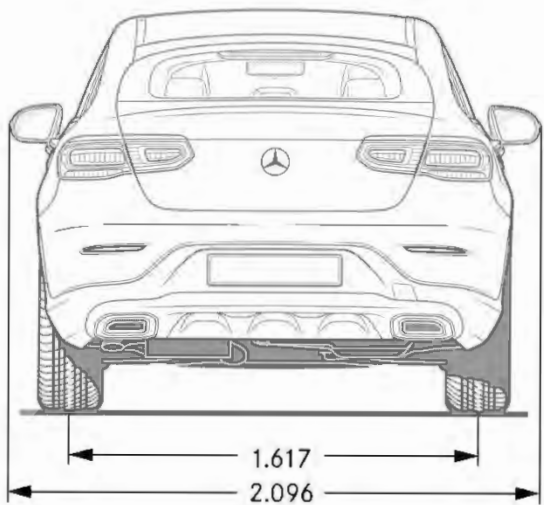
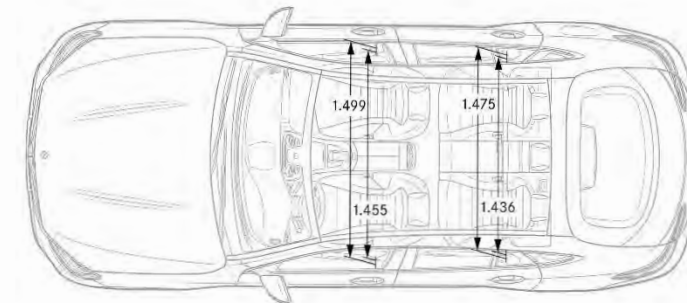
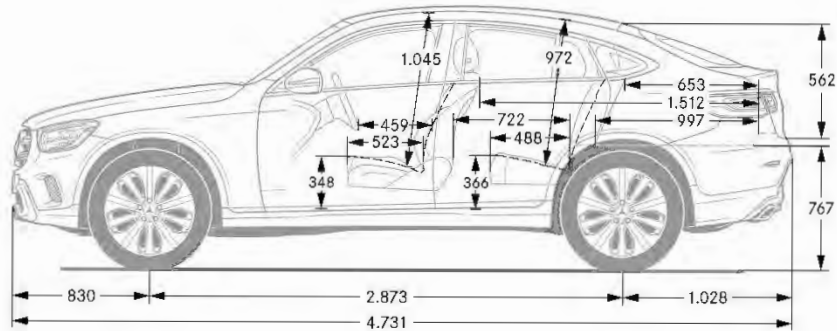
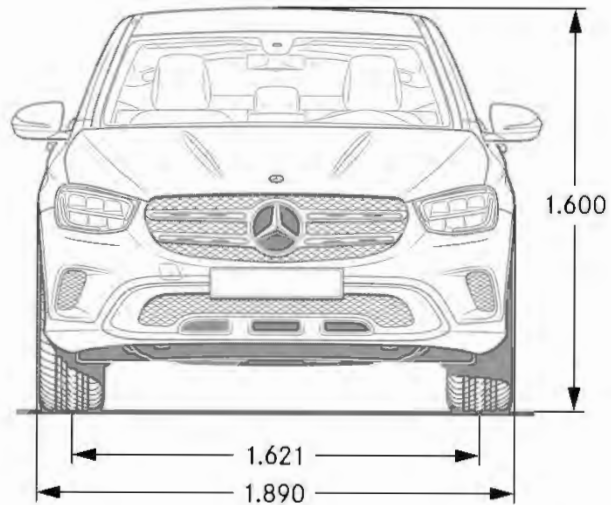


GLC 300 4MATIC

Engine Configuration	2.0L inline-4 turbo engine
Power (hp)	255
Torque (lb-ft)	273
Displacement (cc)	1,991
Acceleration 0-60 mph (sec)	6.2
Fuel Economy (Cty/Hwy/Comb)	TBD
Top Speed (mph)	130
Fuel Requirement (Octane)	91
# Valves per cylinder	4
Compression	10.5 : 1
Transmission	9G-TRONIC
Transmission Speeds	9
Drive Configuration	All-Wheel Drive
Fuel Tank Size (gallons)	17.4
Trunk Size (cubic feet)	49.4
Curb Weight (lbs)	4,028
Vehicle Length (in.)	183.3
Vehicle Width w/ exterior mirrors (in.)	82.5
Vehicle Height (in.)	64.5
Wheelbase (in.)	113.1
Track Width Front/Rear (in.)	66.7/63.2
Coefficient of Drag (Cd)	0.33
Tow Hitch / Towing Capacity (only with 550)	Class II / 3,500 lbs



Specifications* – GLC 300 4MATIC



AMG GLC Coupe



C253

Model Year 2020

AMG
DRIVING PERFORMANCE

GLC43 4MATIC, GLC63 4MATIC+, and GLC63 S 4MATIC+



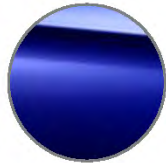
Models



What's new



Standard Equipment



Exterior Paint Colors



Wheels



Interior Upholstery



Interior Trims



Option Packages



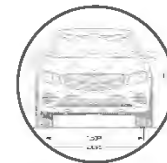
Stand-Alone Options



Options in Detail



Build Recommendations



Specifications



AMG GLC 43 (253.364)

- MSRP \$63,000
- AMG-enhanced 3.0L V6 biturbo engine
- 385 hp
- 384 lb-ft
- 4.7 sec (0-60 mph)
- Launch date: Late 2019



AMG GLC 63 (253.388)

- MSRP \$76,500
- Handcrafted AMG 4.0L V8 biturbo engine
- 469 hp
- 479 lb-ft
- 3.8 sec (0-60 mph)
- Launch date: Late 2019



AMG GLC 63 S (253.389)

- MSRP \$84,100
- Handcrafted AMG 4.0L V8 biturbo engine
- 503 hp
- 516 lb-ft
- 3.6 sec (0-60 mph)
- Launch date: Late 2019

Standard Equipment

- NTG 6: New telematics generation with 10.25" multimedia touchscreen and touchpad
- New front and rear bumpers, including introduction of AMG-Specific Grille on GLC43 (first AMG Performance 43 model to receive this new branding)
- LED headlights now standard on all AMG variants
- Slimmer LED headlights and new LED taillamp design
- New SUV tailpipe design
- GLC63/63 S: Multimedia Package including updated Navigation, Live Traffic, and new Augmented Reality
- GLC63/63 S: 12.3" Digital Instrument Cluster (464)
- Deletion of CD/DVD drive
- Upgraded AMG Performance steering wheel with haptic touchpads
- New key design
- Smartphone Integration (Apple CarPlay™ and Android Auto)
- GLC43 power increase 385hp (+23hp compared to MY19)
- Electronic Limited Slip Differential now also available on GLC63
- 64-Color Ambient Lighting and AMG Illuminated Door Sills
- GLC63/63 S: AMG Performance Exhaust System
- GLC63 S: AMG DRIVE UNIT and AMG Track Pace

Optional Equipment

- New Package and Accessories codes to replace old codes
- All new wheel designs on GLC43; 2 new wheel designs on GLC63
- AMG Track Pace (256)
- Deletion of Ski & Snowboard Bag (282)
- Deletion of AMG Spoiler Lip in Carbon Fiber (U93)
- Deletion of Pre-Wiring for Rear Seats Entertainment (866)
- Inductive Wireless Charging and NFC Pairing (897)
- Deletion of Light Brown Linden Wood trim (H24) and AMG Silver Fiberglass trim (H84)
- Natural Grain Grey Oak (H31) and Natural Grain Walnut Wood (H33) trims now available
- AMG Aerodynamics Package (B26) now available on GLC63/63 S
- AMG Performance Steering Wheel now standard on GLC43, and new steering wheel designs available across all AMG GLC's
- AMG DRIVE UNIT (U88) now available on all steering wheels
- Mini emergency spare tire (690) on GLC43 only
- Deletion of 260/261 badge delete options

Packages

- Deletion of *designo* Black leather packages (P87/P88)

Paint

- Graphite Grey Metallic now available

Upholstery

- New upholstery Magma Grey/Black Nappa Leather w/ Yellow Accents (GLC63/63 S)
- 261 Black leather replaces 221 Black leather (GLC43)
- 264 Saddle Brown leather replaces 234 Saddle Brown leather (GLC43)
- New upholsteries in Cranberry/Black and Magma/Black (GLC43)

Performance & Handling

- GLC43: AMG Enhanced 3.0L V6 Biturbo (385 hp, 384 lb-ft torque)
- GLC63: Handcrafted AMG 4.0L V8 Biturbo (469 hp, 479 lb-ft torque)
- GLC63 S: Handcrafted AMG 4.0L V8 Biturbo (503 hp, 516 lb-ft torque)
- AMG Sport Suspension based on AIR BODY CONTROL
- GLC43: AMG SPEEDSHIFT® TCT 9-speed Transmission
- GLC63/63 S: AMG SPEEDSHIFT® MCT 9-Speed Transmission
- GLC63/63 S: AMG High Performance Braking System
- GLC63/63 S: Electronic rear-axle limited-slip differential
- GLC43: AMG Performance 4MATIC (31:69)
- GLC63/63 S: AMG Performance 4MATIC+ (fully variable torque distribution)
- AMG DYNAMIC SELECT (GLC63 S includes RACE mode)
- 3-Stage ESP
- GLC63 S: AMG Dynamic Engine Mounts
- GLC63/63 S: AMG Performance Exhaust System

Comfort & Convenience

- KEYLESS START & KEYLESS GO
- Power Folding Mirrors
- GLC63/63 S: Burmester® Surround Sound System
- Bluetooth® Technology (for Handsfree Phone Use/Audio Streaming)
- HD Radio
- SiriusXM Satellite Radio
- Power and Heated Front Seats w/ Memory
- 4-way Lumbar Support
- Power Tilt & Telescoping Steering Column
- Electronic Cruise Control
- Power Windows with Express Up and Down
- Automatic Headlamps with Twilight Sensor & Locator Lighting
- 64-Color Ambient Lighting & AMG Illuminated Door Sills
- GLC63/63 S: 12.3" Digital Instrument Cluster
- GLC63 S: AMG Track Pace
- 10.25" Center Media Display with touchpad
- GLC63/63 S: Multimedia Package including Navigation, Live Traffic, and Augmented Reality
- AMG Performance Steering Wheel
- GLC63 S: AMG DRIVE UNIT
- Dual-Zone Automatic Climate Control
- Garage Door Opener
- Intermittent Wipers with Rain Sensor
- Sliding Sunroof
- LED Headlamps and taillights
- Auto-Dimming Driver & Rearview Mirror
- Front and Rear Cupholders
- Split-Folding Rear Seats (40/20/40)
- Power Liftgate
- 115V AC Power Outlet
- Smartphone Integration (Apple CarPlay and Android Auto)

Safety & Security

- New Vehicle 4 Year/50,000 Mile Warranty
- 24h Roadside Assistance Program
- 3-point Seat Belt with Pretensioners & Dual-Stage Belt Force Limiter
- Front Dual-Stage Airbags
- Front and Rear Side Window Airbags
- Front Side Airbags
- Driver Kneebag
- Rearview camera
- ISOFIX Anchor and Tether System
- ATTENTION ASSIST Driver Drowsiness Monitor
- Active Brake Assist
- PRE-SAFE
- Smart Key with Panic Button
- Tire Pressure Monitoring System
- Anti-theft Alarm System
- Blind Spot Assist

Non-metallic Paints



040
Black
Option price: \$0



149
Polar White
Option price: \$0

Metallic Paints



197
Obsidian Black
Option price: \$720



775
Iridium Silver
Option price: \$720



859
Mojave Silver
Option price: \$720



890
Lunar Blue
Option price: \$720
*Delayed until December 2019
production*



896
Brilliant Blue
Option price: \$720



992
Selenite Grey
Option price: \$720



831
Graphite Grey
Option price: \$720

designo[®] Paints



996
Cardinal Red
Option price: \$1,080



799
Diamond White
Option price: \$1,515



297
Selenite Grey Magno
Option price: \$2,020



RZX
20" AMG Y 5-Spoke
R02, R66
Option price: \$0
GLC43 only (std.)



RZY
20" AMG Y 5-Spoke w/ Black
Accents
R02, R66
Option price: \$200
GLC43 only



RWM
21" AMG Split 10-Spoke
R01, B51
Option price: \$1,000
GLC43 only



RWN
21" AMG Split 10-Spoke w/
Black Accents
R01, B51
Option price: \$1,500
GLC43 only



RZS

20" AMG Twin 5-Spoke

R01, B51

\$0

GLC63/63 S only

RZT

20" AMG Twin 5-Spoke w/
Black Accents

R01, B51

\$200

GLC63/63 S only

RWK

21" AMG Multispoke

R01, B51

\$1,000

GLC63/63 S only

RWL

21" AMG Multispoke, Black

R01, B51

\$1,500

GLC63/63 S only

RWD

21" AMG Forged Cross-Spoke

R01, B51

\$2,250

GLC63 S only



RWE

21" AMG Forged Cross-Spoke,
Black

R01, B51

\$2,750

GLC63 S only

Code	Wheel Size	Description	Wheel Dimensions	Mobility	Availability	MSRP
RZX	20"	AMG Y 5-spoke Wheel	255/45 R20 on 8.5 J x 20 ET40 285/40 R20 on 9.5 J x 20 ET22	Front Rear	R02, R66	GLC43 \$ 0
RZY	20"	AMG Y 5-Spoke Wheel w/ Black Accents	255/45 R20 on 8.5 J x 20 ET40 285/40 R20 on 9.5 J x 20 ET22	Front Rear	R02, R66	GLC43 \$ 200
RWM	21"	AMG Split 10-Spoke Wheel	255/40 R21 on 8.5 J x 21 ET40 285/35 R21 on 9.5 J x 21 ET22	Front Rear	R01, B51	GLC43 \$ 1,000
RWN	21"	AMG Split 10-Spoke Wheel w/ Black Accents	255/40 R21 on 8.5 J x 21 ET40 285/35 R21 on 9.5 J x 21 ET22	Front Rear	R01, B51	GLC43 \$ 1,500
RZS	20"	AMG Twin 5-spoke Wheel	265/45 R20 on 9.5 J x20 ET30 295/40 R20 on 10 J x20 ET28	Front Rear	R01, B51	GLC63/63 S \$ 0
RZT	20"	AMG Twin 5-spoke Wheel w/Black Accents	265/45 R20 on 9.5 J x20 ET30 295/40 R20 on 10 J x20 ET28	Front Rear	R01, B51	GLC63/63 S \$ 200
RWK	21"	AMG Multispoke Wheel	265/40 R21 on 9.5 J x 21 ET30 295/35 R21 on 10 J x 21 ET28	Front Rear	R01, B51	GLC63/63 S \$ 1,000
RWL	21"	AMG Multispoke Wheel, Black	265/40 R21 on 9.5 J x 21 ET30 295/35 R21 on 10 J x 21 ET28	Front Rear	R01, B51	GLC63/63 S \$ 1,500
RWD	21"	AMG Forged Cross-spoke Wheel	265/40 R21 on 9.5 J x 21 ET30 295/35 R21 on 10 J x 21 ET28	Front Rear	R01, B51	GLC63 S \$ 2,250
RWE	21"	AMG Forged Cross-spoke Wheel, Black	265/40 R21 on 9.5 J x 21 ET30 295/35 R21 on 10 J x 21 ET28	Front Rear	R01, B51	GLC63 S \$ 2,750



611

Black MB-TEX w / DINAMICA

Option price: \$0

GLC63 only

Also available with AMG Performance Seats (DE4)



641

Black MB-TEX w / DINAMICA and Red Stitching

Option price: \$0

GLC43 only

Also available with AMG Performance Seats (DE4)



241
Black w/ Red Stitching
Option price: \$1,620
GLC43 only

Also available with or w/o AMG Performance Seats (DE5)



261
Black
Option price: \$1,620
GLC43 only



228
Magma Grey
Option price: \$1,620
GLC43 only



235
Silk Beige/Black
Option price: \$1,620
GLC43 only
(Headliner will be in black)



264
Saddle Brown/Black
Option price: \$1,620
GLC43 only



297
Cranberry Red/Black
Option price: \$1,620
GLC43 only

Interior Upholstery – Nappa Leather



801

Black

GLC63: \$2,590 / GLC63 S: \$0

Also available with AMG Performance Seats (DE5)



851

Platinum White Pearl/Black

GLC63: \$2,590 / GLC63 S: \$0

Also available with AMG Performance Seats (DE5)



857

Black/Red Pepper

GLC63: \$2,590 / GLC63 S: \$0

Also available with AMG Performance Seats (DE5)



811

Black with Grey Accents

Option price: \$0

GLC63 S only

Also available with AMG Performance Seats (DE5)



858

Magma Grey/Black with Yellow Accents

GLC63: \$2,590 / GLC63 S: \$0

Also available with AMG Performance Seats (DE5)



GLC43: DD1+975

GLC63/63 S: DD1+965

Platinum White Pearl/Black

Option price: \$3,100 (GLC43/63), \$500 (GLC63 S)

Also available with AMG Performance Seats (DE5)

<i>Code</i>	<i>Upholstery</i>	<i>Seats</i>	<i>Floor Mats</i>	<i>Upper Dash/Lower Dash</i>	<i>Seat Belts</i>	<i>Steering Wheel</i>	<i>Headliner</i>
228	Magma Grey	Magma Grey	Black	Black	Black	Black	Black
235	Silk Beige/ Black	Silk Beige	Black	Silk Beige		Black	Black
241	Black with Red Stitching	Black	Black	Black	Red	Black	Black
261	Black	Black	Black	Black	Black	Black	Black
264	Saddle Brown/ Black	Saddle Brown	Black	Black	Black	Black	Black
297	Cranberry Red/Black Leather	Cranberry Red/ Black	Black	Black	Black	Black	Black
611	Black MB-Tex/DINAMICA	Black	Black	Black	Black	Black	Black
641	Black MB-Tex/DINAMICA with Red Stitching	Black	Black	Black	Red	Black	Black
801	Black Nappa	Black	Black	Black	Black	Black	Black
811	Black Nappa with Grey Accents	Black w/ Grey Accents	Black	Black	Silver	Black	Black
851	Platinum White Pearl/Black Nappa	Platinum White Pearl/Black	Black	Black	Black	Black	Black
857	Black/Red Pepper Nappa	Red Pepper/Black	Black	Black	Black	Black	Black
858	Magma Grey/Black Nappa with Yellow Accents	Magma Grey/Black	Black	Black	Black	Black	Black
965	<i>designo</i> Platinum White Pearl/Black Nappa	Platinum White Pearl/Black	Black	Black	Black	Black	Black
975	<i>designo</i> Platinum White Pearl/Black Nappa	Platinum White Pearl/Black	Black	Black	Black	Black	Black



H07

Dark Brown Linden Wood
Option price: \$0



H31

Natural Grain Grey Oak
Option price: \$0



737+739

Natural Grain Black Ash Wood & Aluminum Trim
Option price: \$0



H73

AMG Carbon Fiber
Option price: \$975



H33

Natural Grain Walnut Wood
Option price: \$0

<i>Code</i>	<i>Packages</i>	<i>Availability</i>	<i>MSRP</i>
DA2	<p>Driver Assistance Package</p> <p><i>GLC43: Requires DA5 Multimedia Package</i></p> <ul style="list-style-type: none"> ▪ 23P – Driver Assistance Package Plus ▪ 233 – DISTRONIC PLUS with Steering Assist and Stop & Go Pilot ▪ Active Blind Spot Assist ▪ Active Lane Keeping Assist ▪ PRE-SAFE® PLUS ▪ BAS PLUS with Cross-Traffic Assist ▪ PRE-SAFE® Brake with Pedestrian Recognition ▪ Active Lane Change Assist ▪ Route-Based Speed Adaptation ▪ Active Speed Limit Assist ▪ Active Emergency Stop Assist 	All Models	\$ 1,700
DA3	<p>Parking Assistance Package</p> <ul style="list-style-type: none"> ▪ P47 – Parking Package ▪ P17/871 – HANDS-FREE ACCESS Package ▪ 235 – PARKTRONIC w/ Active Parking Assist ▪ 501 – Surround View System ▪ Rear Cross-Traffic Alert 	All Models	\$ 1,290
DA4	<p>Exterior Lighting Package</p> <ul style="list-style-type: none"> ▪ 640 – LED Intelligent Light System ▪ 608 – Adaptive Highbeam Assist 	All Models	\$ 800

<i>Code</i>	<i>Packages</i>	<i>Availability</i>	<i>MSRP</i>
DA5	<p>Multimedia Package <i>Std. on GLC63/63 S</i></p> <ul style="list-style-type: none"> ▪ 549 – MBUX Premium Multimedia System ▪ 365 – MB Hard-Disc Navigation with Live Traffic ▪ 01U – Navigation Services ▪ U19 – Augmented Video for Navigation 	All Models	\$ 1,250
DC1	<p>AMG Night Package <i>Not with DC2 AMG Performance Studio Package (already included)</i></p> <ul style="list-style-type: none"> ▪ GLC43: Gloss black elements include front splitter trim, rear diffuser trim, window trim, and exterior mirror housings; exhaust tailpipes in black chrome ▪ GLC63/63 S: Gloss black elements include A-Wing and front splitter trim, side sill inserts, rear diffuser trim, exterior mirror housings, window trim; exhaust tailpipes in black chrome 	All Models	\$ 750
DC2	<p>AMG Performance Studio Package <i>Not with 550 Class II Trailer Hitch; Not with DC1 AMG Night Package (already included)</i></p> <ul style="list-style-type: none"> ▪ 36P – AMG Optics Package includes high-gloss black for the following: front splitter in the front apron, diffuser board on rear apron, and spoiler lip ▪ P60 – AMG Night Package contents 	GLC43	\$ 1,950
DC4	<p>AMG Exterior Carbon Fiber Package</p> <ul style="list-style-type: none"> ▪ AMG Carbon Fiber Exterior Mirror Covers 	All Models	\$ 1,200
DD1	<p><i>designo</i> Platinum White Pearl/Black Nappa Leather Package <i>Only available with 737+739 or H73 trims; If Natural Grain Black Ash Wood trim desired, you will only need to select 739 as 737 will come over automatically</i></p> <ul style="list-style-type: none"> ▪ <i>designo</i> Platinum White Pearl / Black Two-Tone Nappa Leather seats in diamond quilt design with white contrast stitching (interior code 975 on GLC43, interior code 965 on GLC63/63 S) ▪ Center door panels and armrests in Platinum White Pearl ▪ Optional with AMG Performance Seats (DE5) 	GLC43/ GLC63 GLC63 S	\$ 3,100 \$ 500

<i>Code</i>	<i>Packages</i>	<i>Availability</i>	<i>MSRP</i>
DE4	<p>AMG Performance Seat Package <i>GLC43: only with 641 upholstery</i> <i>GLC63: only with 611 upholstery</i></p> <ul style="list-style-type: none"> • PBY Package Code • 555 AMG Performance Seats 	All Models	\$ 2,500
DE5	<p>AMG Performance Seat Package Advanced <i>GLC43: only with 241 upholstery or DD1 pkg.</i> <i>GLC63/63 S: only with 801, 811, 851, 857, 858 upholsteries or DD1 pkg.</i></p> <ul style="list-style-type: none"> • PBY Package Code • 555 AMG Performance Seats 	All Models	\$ 2,500

Stand-Alone Options



DRIVING PERFORMANCE

Code	Options	MSRP
B07	AMG Carbon Ceramic Braking System <i>GLC63 S only</i>	\$ 5,450
B26	AMG Aerodynamics Package <i>Includes additional large front spoiler and larger rear diffuser w/ diffuser attachment Only on GLC63/63 S; not with 550 trailer hitch</i>	\$ 1,400
U17	Replace Red or Silver Seatbelts with Black <i>Requires 641 or 241 (GLC43) or 811 (GLC63 S) upholstery, since the other upholsteries all come with black seat belts as standard</i>	\$ 0
U78	AMG Performance Exhaust System <i>Std. of GLC63/63 S</i>	\$ 1,250
U88	AMG DRIVE UNIT <i>Required with L6G steering wheel; standard on GLC63 S</i>	\$ 400
U97	Spoiler Lip in High-Gloss Black <i>Only in conjunction with DC1 AMG Night Package; Delayed Availability</i>	\$ 350
256	AMG Track Pace <i>Requires DA5 Multimedia Package on GLC43. Standard on GLC63 S.</i>	\$ 250
401	Ventilated Front Seats <i>GLC43: not with 297 or 641 upholsteries; not with DE4/DE5 packages</i>	\$ 450
463	Head-Up Display with AMG-specific Content	\$ 1,100
464	12.3" Digital Instrument Cluster <i>Std. on GLC63/63 S</i>	\$ 750
550	Class II Trailer Hitch <i>On GLC43, not with DC2 AMG Performance Studio Package; On GLC 63/63 S, not with B26 AMG Aerodynamics Package</i>	\$ 575
581	3-Zone Automatic Climate Control	\$ 760
690	Spare Tire (Mini) <i>GLC43 only; removes lockable compartment on trunk floor</i>	\$ 200
810	Burmester Surround Sound System <i>Std. on GLC63/63 S</i>	\$ 850
846	Brushed Aluminum Running Boards	\$ 650

Stand-Alone Options

<i>Code</i>	<i>Options</i>	<i>MSRP</i>
851	Heat and Noise-Insulated Glass <i>GLC43 only</i>	\$150
872	Heated Rear Seats	\$ 580
897	Inductive Wireless Charging with NFC Pairing	\$ 200

<i>Code</i>	<i>VPC Installed Accessories</i>	<i>MSRP</i>
D03	Illuminated Star <i>Not with Driver's Assistance Package (DA2)</i>	\$ 500
D07	Wheel Locking Bolts	\$ 150
D08	Chrome Door Handle Inserts	\$ 100
D17	Carbon Fiber Look Exterior Mirror Covers <i>Not available with Night Package (DC1) or AMG Exterior Carbon Fiber Package (DC4)</i>	\$ 250
D25	USB-C Adapter Cable	\$ 25
D32	LED AMG Crest Projectors (Delayed Availability)	\$ 275
D33	All Weather Front Floor Mats	\$ 120
<i>Code</i>	<i>Special Order Options (Additional Charge of \$250)</i>	<i>MSRP</i>
293	Rear Side Air Bags	\$ 420

Steering Wheels



AMG Performance Steering Wheel in Nappa (L6J)

Option price: \$0

Standard on GLC43/63; optional on GLC63 S

For outstanding vehicle control, the AMG Performance steering wheel in Nappa leather features a flattened bottom section as well as perforated grip areas. The sporty design is completed by silver-colored aluminum shift paddles and a 12-o'clock marker.



AMG Performance Steering Wheel in Nappa/DINAMICA (L6K)

Option price: \$500

Standard on GLC63 S; optional on GLC43 and GLC63

For even better grip during sporty maneuvers, the grip area on the AMG Performance steering wheel in Nappa leather is finished in DINAMICA microfiber. The steering wheel bezel comes in silver chrome with "AMG" lettering, silver-colored aluminum shift paddles and a 12-o'clock marker to round off the design.

For GLC63 S only: If you have interior 811, stitching and 12 o'clock mark come in Grey. If you have interior 851, stitching and 12 o'clock mark come in White. If you have interior 857, stitching and 12 o'clock mark come in Red.

Steering Wheels



AMG Performance Steering Wheel in DINAMICA (L6G)

Option price: \$600 (43/63) / \$100 (63 S)

Requires U88 AMG DRIVE UNIT

Not available with 235, 228 upholsteries



AMG Performance Steering Wheel in DINAMICA/Carbon Fiber (L6H)

Option price: \$900 (63)/\$400 (63 S)

Not available on GLC43

Only available with the following trims: 737, H73 (or the DD1 package)

AMG DRIVE UNIT (U88)



With the AMG steering wheel buttons you can make your steering wheel radically sporty: they allow fast, purposeful control of specific dynamic driving functions. For a focused, concentrated and performance-oriented driving sensation – and an authentic racing car atmosphere in the cockpit.

The AMG Performance steering wheels with AMG steering wheel buttons are reminiscent of Formula 1 steering wheels in terms of their operation and characteristics, and for good reason: thanks to the ergonomic positioning of the additional steering wheel buttons in the immediate grip area, you can keep your hands on the steering wheel at all times – thanks to the intuitively understandable functionality, you can always keep an eye on the road. Ideal prerequisites for challenging driving situations which require your full attention.

The individual steering wheel buttons are implemented as modern, mini displays. Pictograms on the buttons visualize the AMG-specific function which can be accessed in each case.

Components

- Two vertically positioned function displays **on the left** with rocker switch, Can be freely assigned AMG functions, for example for:
 - Direct selection of manual mode
 - Adjustment of the adaptive suspension
 - Activation/deactivation of the Electronic Stability Program (ESP®)
 - Switching of AMG Performance Exhaust System

- Function display **on the right** with round control knob:
 - Selection of drive programs and display of currently selected mode

AMG Track Pace (256)



AMG Track Pace transforms your AMG vehicle into your virtual race engineer. With the aid of lap, sector and acceleration times plus selected live telematics data you can analyze and improve your driving skill on cordoned-off tracks in a targeted manner.

In order to determine as precise a position as possible, AMG Track Pace works with a specially programmed algorithm which combines vehicle data such as wheel speed, steering angle and yaw rate with the satellite-aided GPS positioning system and updates every 50 milliseconds (20 Hz technology). This makes position measurement significantly more precise than with external applications such as third-party-provider apps on the smartphone.

In order to record and continually improve your individual performance, recorded data such as lateral and longitudinal acceleration, accelerator and brake pedal position or steering angle are used. All values are clearly depicted and can be read out directly in the vehicle. Fast or slow laps can be noted from the corner of the eye thanks to various color displays.

As well as recording drives on circuits or public routes, AMG Track Pace can also be used to record accelerations such as from standstill to 60mph or over a quarter mile plus deceleration values. Measurement with AMG Track Pace starts automatically when driving off or in deceleration mode when falling below a certain speed.

AMG Track Pace stores individual laps and sprints in the vehicle database. You can determine a reference time and compare your current drive with it – down to the last inch. This saves you any heavy and difficult-to-use additional equipment for analyzing your driving data.

The functions of AMG Track Pace are continually being improved and extended. You can find current information at www.mercedes-amg.com/track-pace.

AMG Aerodynamics Package (B26)



Get the most out of your vehicle: With the AMG Aerodynamics package, you can specifically sharpen the looks while benefiting from improved driving characteristics. The additional large front spoiler lip and larger rear diffuser with diffuser attachment help to reduce lift at the front and rear and make your vehicle even sportier.



Brakes



Sports Braking System

Standard on GLC 43 (GLC 43 only)

4-piston front and single piston rear calipers

- Front axle: brake disks measuring 14.2 x 1.4 inch, internally ventilated and perforated, with 4-piston aluminum fixed caliper and black "AMG" lettering
- Rear axle: brake disks measuring 12.6 x 0.9 inch, internally ventilated, with 1-piston floating caliper with brake caliper-integrated electric parking brake
- Painted in silver brake calipers



AMG High-Performance Braking System (B06)

Standard on GLC 63 (GLC 63 only)

6-piston front and single piston rear calipers

- Front axle: integral brake discs measuring 15.4 inch x 1.4 inch, internally ventilated and perforated with 6-piston fixed caliper
- Rear axle: brake discs measuring 14.2 x 1.0 inch, internally ventilated and perforated with 1-piston floating caliper
- grey-painted brake calipers with white AMG lettering
- Painted in grey brake calipers



AMG High-Performance Composite Braking System (U70)

Standard on GLC 63 S (GLC 63 S only)

6-piston front and single piston rear calipers

- Front axle: Compound brake disc measuring 15.4 x 1.4 inch, internally ventilated and perforated with 6-piston fixed caliper
- Rear axle: Brake discs measuring 14.2 x 1.0 inch, internally ventilated and perforated with 1-piston floating caliper
- Increased fade resistance and reduced thermal deformation of brake discs
- Painted in red brake calipers



AMG High-Performance Ceramic Composite Braking System (B07)

Option price: \$5,450 (GLC 63 S only) [See Advisory](#)

6-piston front and single piston rear calipers

- Front axle: compound ceramic disc with a diameter of 15.8 x 1.5 inch, internally ventilated and perforated, with 6-piston fixed caliper
- Rear axle: integral brake disc with a diameter of 14.2 x 1.0 inch, internally ventilated, perforated and grooved with 1-piston combined floating brake caliper
- Bronze brake calipers with 40% weight saving compared with standard brake discs

Advisory on B07 AMG High-Performance Ceramic Compound Braking System



The AMG Ceramic Compound Braking system has numerous benefits – namely, it is 40% lighter than a conventional steel braking system, offers significantly longer service life for the brake rotors, and provides exceptional resistance to brake fade under repeated aggressive stops.*

The materials in your AMG Ceramic Compound Braking system were derived from Formula One technology, and therefore will perform differently than conventional brakes.

Especially when cold, this ceramic composite material will resonate during braking and potentially feel less responsive under light brake pressure but with no loss in braking power. You will hear sounds, e.g. squealing, that you might not expect and which may be louder than what you are used to during ordinary everyday braking maneuvers – rest assured that this is a normal operating characteristic for this brake system, and is a by-product of the unique properties of the material. Mercedes-AMG recommends that the driver engage the brakes in an assertive manner in order to mitigate some of this noise during normal operation; Mercedes-AMG also recommends that the brakes be brought up to operating temperature before use in high-performance driving situations in order to improve braking performance.

**Brake weight based on AMG Germany official measurements, Service life based on F1 Safety car longevity and is dependent on individual driving style and conditions and will vary. Brake pads and rotors should be regularly serviced to ensure proper wear. Please reference your Mercedes-AMG Maintenance Booklet or contact your dealer for scheduled intervals.*

Build Recommendation for the GLC43 Coupe

Model	GLC43 Coupe	\$63,000
Baumuster	253364	
Exterior Color	775 Iridium Silver Metallic	\$720
Interior Upholstery	641 Black MB-Tex/DINAMICA w/ Red Stitching	\$0
Option Package	DC1 AMG Night Package	\$750
Wheel	RZX 20" AMG Y 5-spoke	\$0
Trim	737+739 Natural Grain Black Ash Wood/Aluminum	\$0
Standalone Options	810 Burmester Sound System	\$850
	Y05 Red Seat Belts	\$0
	U78 AMG Performance Exhaust	\$1,250
	L6J AMG Performance Steering Wheel in Nappa	\$0
PRICE	\$66,570	

GLC43 Coupe	\$63,000
253364	
831 Graphite Grey Metallic	\$720
228 Magma Grey Leather	\$1,620
DA5 Multimedia Package	\$1,250
DA3 Parking Assistance Package	\$1,290
DC1 AMG Night Package	\$750
RZY 20" AMG Y 5-spoke, Black	\$200
H31 Natural Grain Grey Oak Wood	\$0
810 Burmester Sound System	\$850
U78 AMG Performance Exhaust	\$1,250
L6J AMG Performance Steering Wheel in Nappa	\$0
\$70,930	

GLC43 Coupe	\$63,000
253364	
896 Brilliant Blue Metallic	\$720
241 Black Leather w/ Red Stitching	\$1,620
DA5 Multimedia Package	\$1,250
DC1 AMG Night Package	\$750
DA3 Parking Assistance Package	\$1,290
DA4 Exterior Lighting Package	\$800
RWN 21" AMG Split 10-spoke, Black	\$1,500
H73 AMG Carbon Fiber	\$975
810 Burmester Sound System	\$850
401 Heated & Ventilated Front Seats	\$450
U78 AMG Performance Exhaust	\$1,250
256 AMG Track Pace	\$250
U17 Replace Red Seat Belts with Black	\$0
463 Head-Up Display	\$1,100
L6J AMG Performance Steering Wheel in Nappa	\$0
\$75,805	

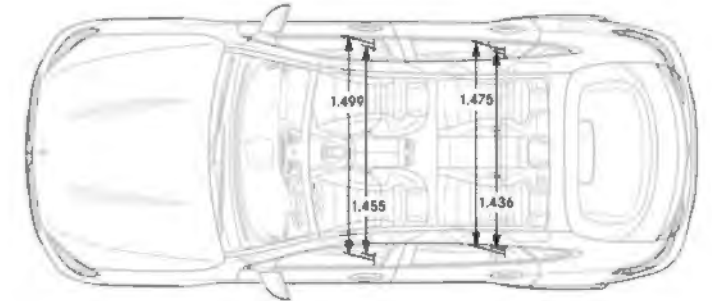
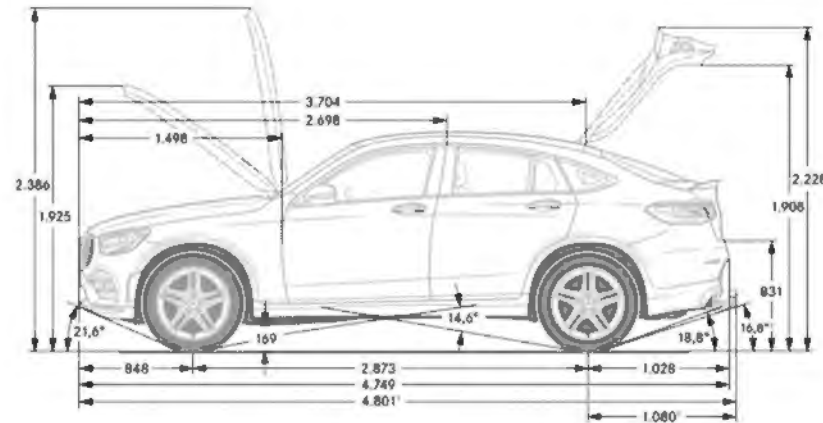
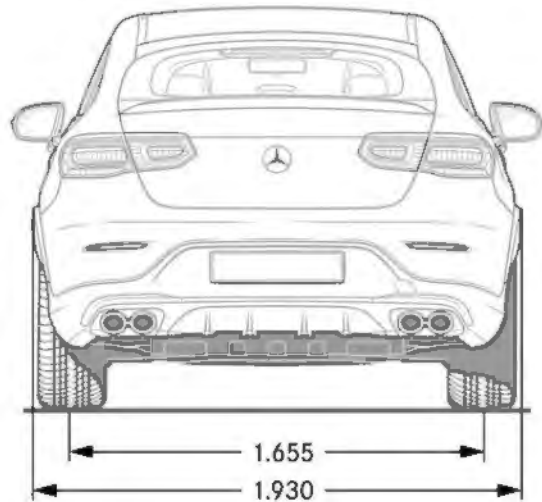
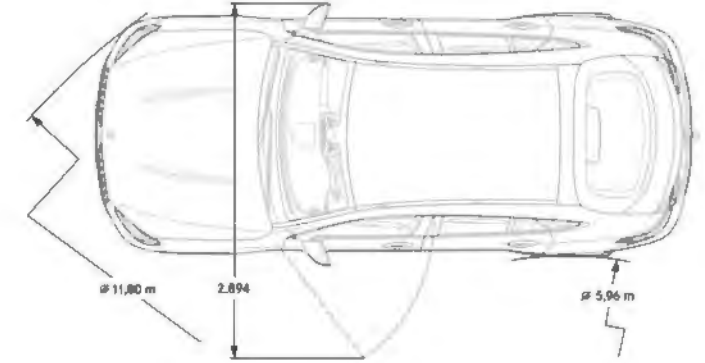
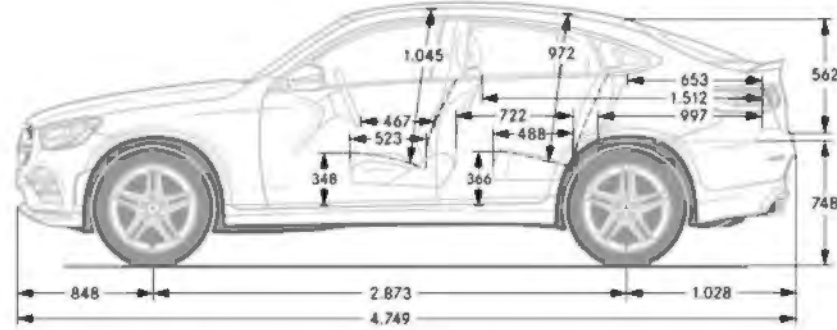
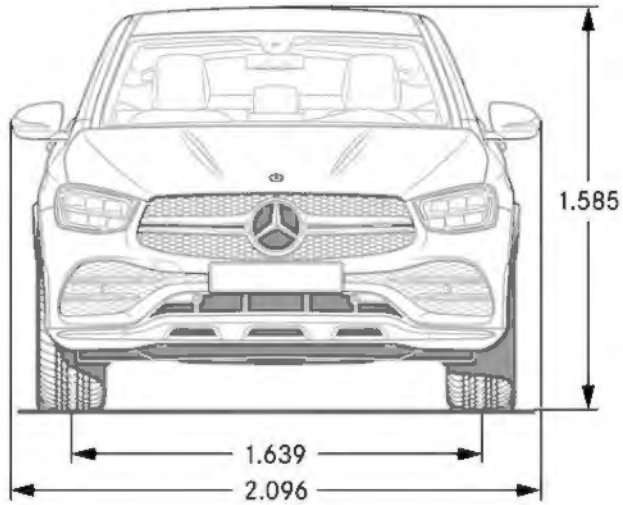
Build Recommendation for the GLC63 Coupe

Model	GLC63 Coupe	\$76,500
Baumuster	253388	
Exterior Color	149 Polar White	\$0
Interior Upholstery	611 Black Leather/DINAMICA	\$0
Option Package	DA5 Multimedia Package	\$1,250
	DA3 Parking Assistance Package	\$1,290
Wheel	RZT 20" AMG Twin 5-spoke, Black	\$200
Trim	737+739 Natural Grain Black Ash Wood/Aluminum	\$0
Standalone Options	L6J AMG Performance Steering Wheel in Nappa	\$0
PRICE	\$79,240	

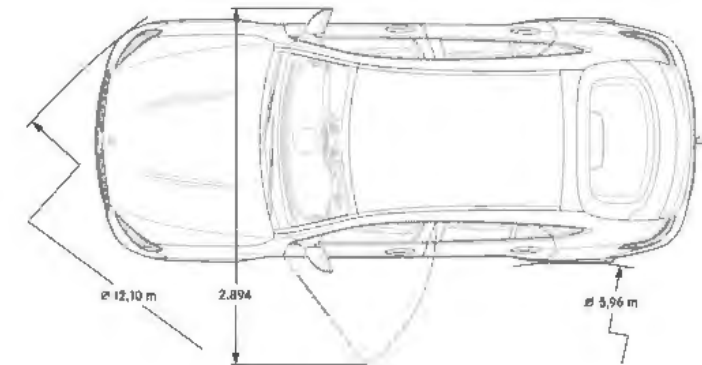
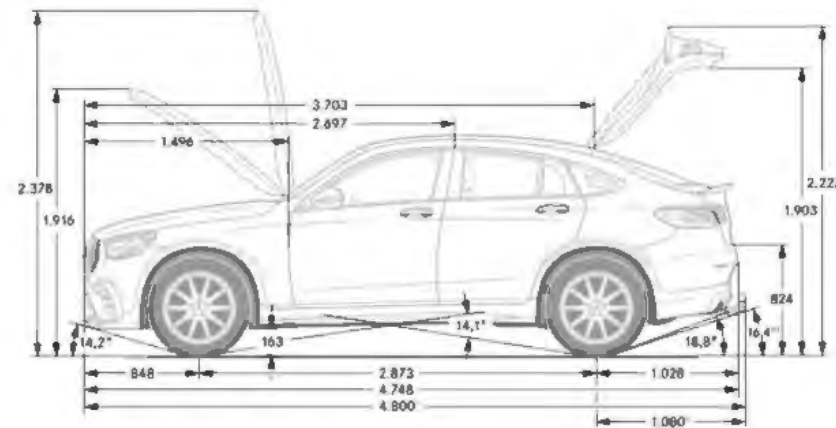
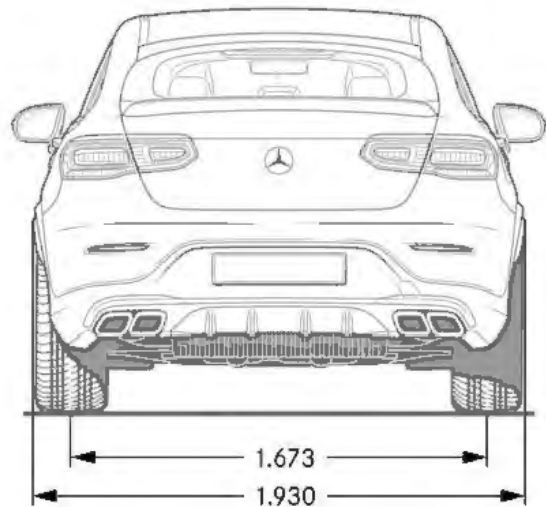
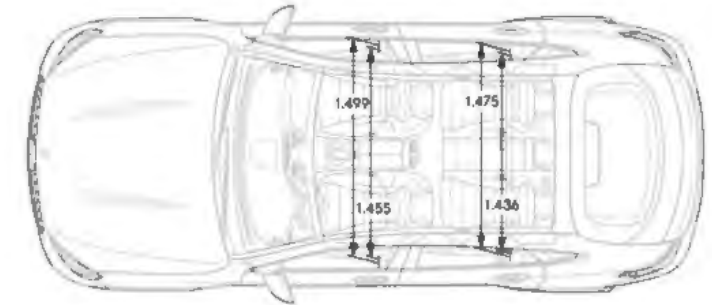
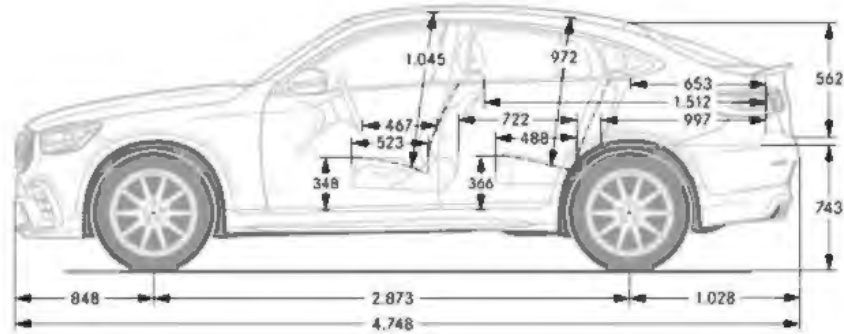
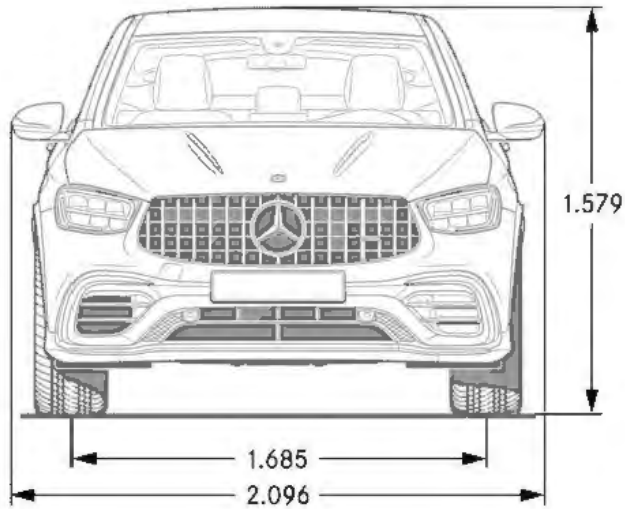
GLC63 Coupe	\$76,500
253388	
996 Cardinal Red Metallic	\$1,080
801 Black Nappa Leather	\$2,590
DA4 Exterior Lighting Package	\$800
DA3 Parking Assistance Package	\$1,290
DA5 Multimedia Package	\$1,250
RWK 21" AMG Multispoke	\$1,000
H31 Natural Grain Grey Oak Wood	\$0
463 Head-Up Display	\$1,100
401 Heated & Ventilated Front Seats	\$450
U88 AMG DRIVE UNIT	\$400
\$86,460	

	<i>AMG GLC 43</i>	<i>AMG GLC 63</i>	<i>AMG GLC63 S</i>
Engine Configuration	AMG-enhanced 3.0L V6 biturbo engine	Handcrafted AMG 4.0L V8 biturbo	Handcrafted AMG 4.0L V8 biturbo
Power (hp)	385 @ 5,500-6,000 rpm	469 @ 5,500-6,250 rpm	503 @ 5,500-6,250 rpm
Torque (lb-ft)	384 @ 2,500-4,500 rpm	479 @ 1,750-4,500 rpm	516 @ 1,750-4,500 rpm
Displacement (cc)	2.996	3.982	3.982
Acceleration 0-60 mph (sec)	4.7	3.8	3.6
Fuel Economy (Cty/Hwy/Comb)	tbd	Tbd	tbd
Top Speed (mph)	130 (lim.), 155 w/ R01 tires	155 (lim.)	174 (lim.)
Fuel Requirement (Octane)	91	91	91
# Valves per cylinder	4	4	4
Compression	10.5 : 1	10.5 : 1	10.5 : 1
Transmission	AMG SPEEDSHIFT® TCT 9-Speed	AMG SPEEDSHIFT® MCT 9-Speed	AMG SPEEDSHIFT® MCT 9-Speed
Transmission Speeds	9	9	9
Drive Configuration	4MATIC All-Wheel Drive	4MATIC+ Variable All-Wheel Drive	4MATIC+ Variable All-Wheel Drive
Fuel Tank Size (gallons)	17.4	17.4	17.4
Luggage capacity beh. front seats (cubic feet)	36.1	36.1	36.1
Curb Weight (lbs)	4,208	4,521	4,548
Vehicle Length (in.)	186.2	186.9	186.9
Vehicle Width w/ exterior mirrors (in.)	82.5	82.5	82.5
Vehicle Height (in.)	62.5	62.4	62.4
Wheelbase (in.)	113.1	113.1	113.1
Track Width Front/Rear (in.)	64.4/65.0	65.5/65.1	65.5/65.1

Specifications* – GLC 43 Coupe 4MATIC



Specifications* – GLC 63 Coupe 4MATIC+



Specifications* – GLC 63 S Coupe 4MATIC+

