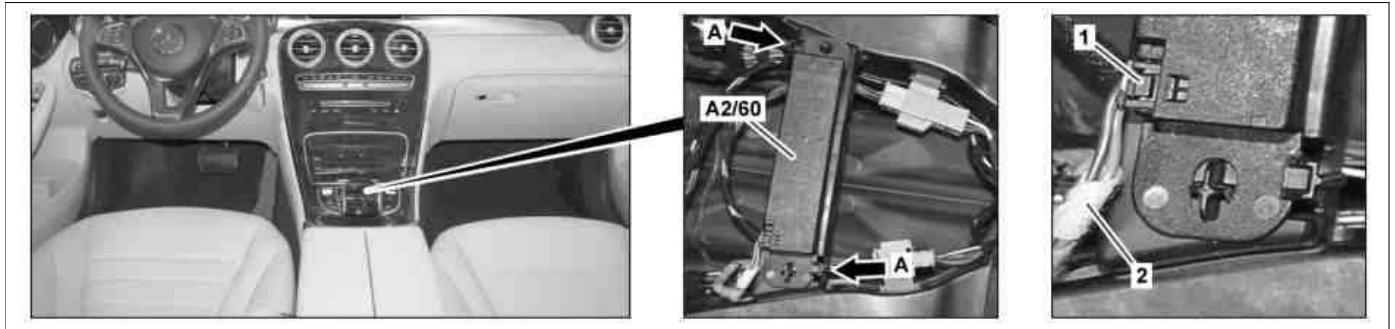


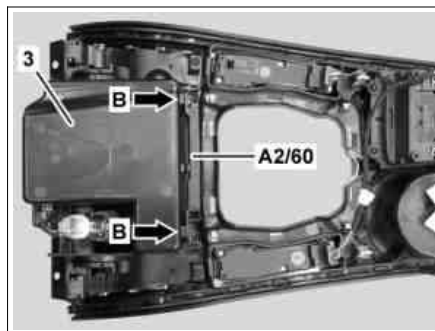
Model 213, 238
 Model 253
 with code 889 (KEYLESS-GO)
 Model 253
 with code 893 (KEYLESS-GO)



P80.61-2908-07

Shown on model 253 with transmission 725

- 1 Connector
- 2 Electrical wiring harness
- A2/60 Center console KEYLESS-GO antenna



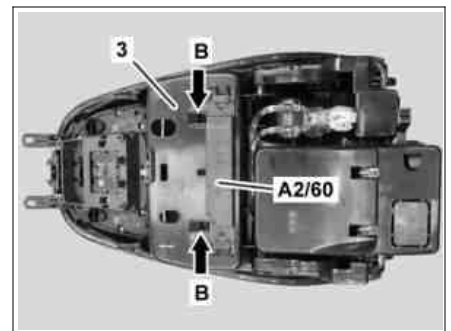
P80.61-2970-01

Shown on model 213 with transmission 716

- 3 Stowage compartment
- A2/60 Center console KEYLESS-GO antenna

Shown on model 213 with transmission 725

- 3 Stowage compartment
- A2/60 Center console KEYLESS-GO antenna



P80.61-2971-01

ⓘ	Information on preventing damage to electronic components due to electrostatic discharge		AH54.00-P-0001-01A
⚠	Remove/install		
1	Detach cover from center console	Model 238 with transmission 716 Model 213 with transmission 716 Model 253 with transmission 716 with code 889 (KEYLESS-GO) Model 253 with transmission 716 with code 893 (KEYLESS-GO) Model 238 with transmission 725 Model 213 with transmission 725 Model 253 with transmission 724, 725 with code 889 (KEYLESS-GO) Model 253 with transmission 724, 725 with code 893 (KEYLESS-GO)	AR68.20-P-2350LWP AR68.20-P-2350LWA AR68.20-P-2350LWO AR68.20-P-2350LW
2	Disconnect connector (1)		
3.1	Unclip KEYLESS-GO center console antenna (A2/60) from mounts (arrows A) and remove	Model 253 with code 889 (KEYLESS-GO) Model 253 with code 893 (KEYLESS-GO) i Installation: Ensure that center console KEYLESS-GO antenna (A2/60) is seated correctly in mounts (arrows A). Position electrical wiring harness (2) in groove in center console housing.	
3.2	Unclip KEYLESS-GO center console antenna (A2/60) from mounts (arrows B) and remove	Model 213, 238	

		i Installation: Ensure that center console KEYLESS-GO antenna (A2/60) is seated correctly in mounts (arrows B).	
4	Install in the reverse order		