

# GLC SUV



X253

Model Year 2019

**Pricing Preliminary – Subject to Change**

Mercedes-Benz

The best or nothing.





## Important note

The information presented in this guide is based on the most current information available and is intended for internal use only. Mercedes-Benz reserves the right to make changes at any time, without notice, to colors, materials, equipment, special specifications and models.

Pricing may not yet be finalized for some models or options.

Due to variances among monitors and printers the colors that appear on your screen and printouts may not be exact.

For illustrative purposes, some images may show vehicles with European Specification.

## Revision History

<i>Date</i>	<i>Changes</i>
2/25/2018	Initial release.



## Insert Models

---



Models



What's new



Standard Equipment



Exterior Paint Colors



Wheels



Interior Upholstery



Interior Trims



Option Packages



Stand-Alone Options



Options in Detail



Specifications



## *GLC 300 (253.948)*

GLC300W

- MSRP \$TBD
- 2.0-L inline-4 turbo engine
- 9-Speed Automatic Transmission
- 241 hp
- 273 lb-ft
- 6.3 sec (0-60 mph)
- Launch date: Summer 2018



## *GLC 300 4MATIC (253.949)*

GLC300W4

- MSRP \$TBD
- 2.0-L inline-4 turbo engine
- 9-Speed Automatic Transmission
- 241 hp
- 273 lb-ft
- 6.4 sec (0-60 mph)
- Launch date: Summer 2018



**EQ** POWER

## *GLC 350e 4MATIC Plug-in Hybrid (253.954) GLC350E4*

- **MSRP \$TBD\***
- 2.0L inline-4 turbo engine with 85kW electric motor
- 7-Speed Automatic Transmission
- 320 hp (combined)
- 413 lb-ft (combined)
- 6.2 sec (0-60 mph)
- Launch Summer 2018

**\*Price shown does not include eligible estimated \$4,460 Federal Tax Credit or any state incentives.** For more information on the tax benefits of owning a Plug-in Hybrid vehicle, visit the U.S. Department of Energy website and consult with your financial advisor



## *Standard Equipment*

- 115V AC Outlet becomes standard
- Power Folding Mirrors added to Premium Package

## *Optional Equipment*

- New 20" Wheel Available for GLC 350e 4MATIC
- 18-Inch 5-Spoke Wheels (R96) discontinued
- 3-Zone Climate Control (581) available
- Off-Road Engineering Package available
- Silk Beige/Black Leather replaces Silk Beige/Esspresso Brown Leather
- Espresso Brown/Black MB-Tex and Leather discontinued

## *Paints*

- Mojave Silver Metallic replaces Diamond Silver Metallic
- *designo* Selenite Grey Metallic replaces *designo* Dakota Brown Magno
- Dakota Brown Metallic discontinued





## 3-Zone Climate Control (581)



### **3-Zone Climate Control**

*Available for all models*

The automatic climate control system with 3 climate zones and 3 airflow modes provides additional levels of comfort and control to GLC passengers. The driver and the front passenger are able to regulate temperature and air distribution independently of one another. Temperature and airflow for the rear can be adjusted separately as the 3<sup>rd</sup> zone.

#### **Overview of the 3-Zone automatic climate control:**

- Three climate zones with individual temperature controls (driver's side, front passenger side and rear)
- Automatic control of temperature, air distribution and airflow
- Air distribution for driver and front passenger sides individually and separately adjustable
- 3 airflow modes for setting the airflow – diffuse, medium or focused
- Indirect ventilation for the passenger compartment in the dashboard
- Sensors keep the climate constant at the desired level for each zone
- Constant monitoring of incoming air for harmful gasses with automatic air recirculation setting
- A fine-particle activated charcoal filter improves the air quality in the vehicle. It filters dust, soot, and pollen from the air and also reduces pollutants and unpleasant odors
- Dew point sensors prevent the windows from fogging up and ensure energy-efficient air conditioning
- Rear control unit for regulating temperature and airflow in the rear
- Rear center vents with rear booster fan



## *Off-Road Engineering Package (430)*



### **Off-Road Engineering Package**

*Available for GLC 300 4MATIC*

*Not available for GLC 350e 4MATIC*

*Not available with AMG Line*

*Requires 320 Multimedia Package*

The Off-Road Engineering package offers even better off-road performance at the push of a button. The modified drive characteristics provide for optimized traction, especially on loose surfaces. Downhill Speed Regulation (DSR) helps the driver to handle steep downhill driving safely.

### **Features of the Off-Road Engineering package:**

- Up to five off-road driving modes: Off-road, Incline, Slippery, and Trailer (Trailer only in conjunction with optional Trailer Hitch (550))
- Downhill Speed Regulation (DSR), located in the center console behind the Controller, centrally positioned in a chrome surround
- Off-road light function (only in conjunction with the Exterior Lighting Package)
- GEMTEX underguard





## *Performance & Handling*

- 2.0L inline-4 turbo engine
- 9G-TRONIC 9-Speed Automatic Transmission
- 4MATIC® Permanent All-Wheel Drive
- ECO Start/Stop System
- DYNAMIC SELECT
- Independent Front/Rear Suspension

### **GLC 350e 4MATIC Differing / Additional Standard Equipment:**

- Hybrid 2.0L In-line-4 Turbo Engine with 85kW Electric Motor
- 7G-TRONIC 7-Speed Automatic Transmission
- Sport Perforated Front Brake Discs and Front Brake Calipers with “Mercedes-Benz” Lettering
- Radar-Based Regenerative Braking System
- J1772 AC Charging
- ECO-Assistant Haptic Accelerator Pedal

## *Comfort & Convenience*

- Dual-Zone Automatic Climate Control
- KEYLESS START
- Power Folding Mirrors
- Audio System with CD drive
- Two USB Ports
- Bluetooth® Technology (for Handsfree Phone Use/Audio Streaming)
- HD Radio
- Power Front Seats with Driver Memory
- 4-way Lumbar Support
- Power Tilt & Telescoping Steering Column
- Electronic Cruise Control
- Power Windows with Express Up and Down
- Storage Package

- Central Controller with 7” high-mounted tablet-style color display
- Multifunction leather steering wheel
- Pre-wiring for GARMIN® Map Pilot
- Dual-Zone Automatic Climate Control
- Garage Door Opener
- Intermittent Wipers with Rain Sensor
- Auto-Dimming Driver & Rearview Mirror
- Split-Folding Rear Seats (40/20/40)
- Power Liftgate

### **GLC 350e 4MATIC Additional Standard Equipment:**

- LED Headlamps (632)
- Portable 110-volt Household Socket Charging Cable

## *Safety & Security*

- New Vehicle 4 Year/50,000 Mile Warranty
- 24h Roadside Assistance Program
- 3-point Seat Belt with Pretensioners & Dual-Stage Belt Force Limiter
- Front Dual-Stage Airbags
- Front and Rear Side Window Airbags
- Front Side Airbags
- Driver Kneebag
- Rearview Camera

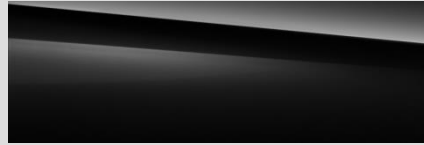
- ISOFIX Anchor and Tether System
- ATTENTION ASSIST Driver Drowsiness Monitor
- COLLISION PREVENTION ASSIST PLUS (CPA+)
- PRE-SAFE
- Tire Pressure Monitoring System
- Anti-theft Alarm System







## Non-metallic Paints



**040**  
Black  
*Option price: \$0*



**149**  
Polar White  
*Option price: \$0*

## Metallic Paints



**197**  
Obsidian Black  
*Option price: \$720*



**775**  
Iridium Silver  
*Option price: \$720*



**859**  
Mojave Silver  
*Option price: \$720*



**890**  
Lunar Blue  
*Option price: \$720*



**896**  
Brilliant Blue  
*Option price: \$720*



**992**  
Selenite Grey  
*Option price: \$720*

## *designo* Paints



**996**  
Cardinal Red Metallic  
*Option price: \$1,080*



**799**  
Diamond White Metallic  
*Option price: \$1,515*



**R31**

18" 5-Spoke Wheels  
R02, R66  
Option price: \$0

*Mercedes-Benz recommended for best fuel economy on GLC 350e 4M*

**48R**

19" 5-Spoke Wheels w/ Grey Accents  
R02, R66

Option price: \$500  
**GLC 300 / 3004M Only**

**R39**

19" 5-Spoke Wheels w/ Black Accents  
R02, R66

Option Price \$500  
**GLC 350e 4M Only**

**29R**

20" 5-Spoke Wheels w/ Black Accents  
R01, R66

Option Price \$750  
**GLC 350e 4M Only**



**638**

19" AMG 5-Twin Spoke Wheels, w/ Grey Accents  
R02, R66

Option price: \$0  
Requires AMG Line (321)

**99R**

19" AMG 5-Twin Spoke Wheels, w/ Black Accents  
R02, R66

Option price: \$0  
Requires Night Package (521)

**688**

20" AMG Multi-Spoke Wheels, w/ Grey Accents  
R01, R66

Option price: \$750  
Requires AMG Line (321)

**698**

20" AMG Multi-Spoke Wheels, w/ Black Accents  
R01, R66

Option price: \$750  
Requires Night Package (521)

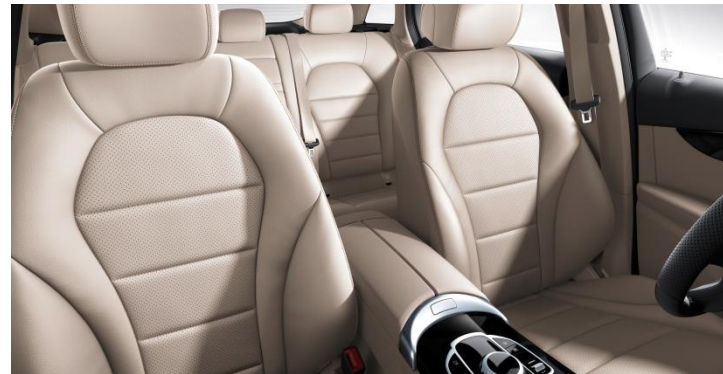


<i>Code</i>	<i>Wheel Size</i>	<i>Description</i>	<i>Wheel Dimensions</i>	<i>Mobility</i>	<i>Availability</i>	<i>MSRP</i>
R31	18"	5-Spoke Wheels	235/60 R18 on 8 J x 18 ET 38	R02, R66	All models	\$ 0
48R	19"	5-Spoke Wheels	235/55 R19 on 8 J x 19 ET 38	R02, R66	GLC 300 / 300 4M	\$ 500
R39	19"	5-Spoke Wheels, w/ Black Accents	235/55 R19 on 8 J x 19 ET 38	R02, R66	GLC 350e 4M	\$ 500
29R	20"	5-Spoke Wheels w/ Black Accents	255/45/R20 on 8.5 J x 20 ET 40	R01, R66	GLC 350e 4M	\$ 750
638	19"	AMG 5-Twin Spoke Wheels, w/ Grey Accents	235/55 R19 on 8 J x 19 ET 38	R02, R66	All models	\$ 0 <i>Requires AMG Line (321)</i>
688	20"	AMG Multi-Spoke Wheels, w/ Grey Accents	255/45 R20 on 8.5 J x 20 ET 40	R01, R66	GLC 300 / 300 4M	\$ 750 <i>Requires AMG Line (321)</i>
99R	19"	AMG 5-Spoke Wheels, w/ Black Accents	235/55 R19 on 8 J x 19 ET 38	R02, R66	All models	\$ 0 <i>Requires Night Package (521)</i>
698	20"	AMG Multi-Spoke Wheels, w/ Black Accents	255/45 R20 on 8.5 J x 20 ET 40	R01, R66	GLC 300 / 300 4M	\$ 750 <i>Requires Night Package (521)</i>





101  
Black  
*Option price: \$0*



115  
Silk Beige/Black  
*Option price: \$0*  
*Not available with AMG Line (321)*

# Interior Upholstery – Leather



221

Black

*Requires Leather Seating Package (318)*



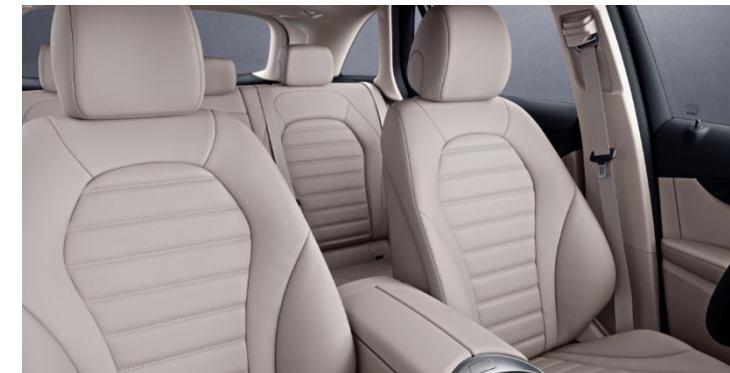
234

Saddle Brown/Black

*Requires Leather Seating Package (318)*

*Requires MB-Tex Dashboard (U09)*

*Not available with AMG Line (321)*



235

Silk Beige/Black

*Requires Leather Seating Package (318)*

*Not available with AMG Line (321)*



# Interior Upholstery – *designo* Nappa Leather



971

Black

*Requires P87 designo Package*



975

Platinum White Pearl/Black

*Requires P62 designo Package*





51U

Black Fabric Headliner

*Option price: \$0*

*Available with Black MB-Tex (101), Black Leather (221), Saddle Brown Leather (234)*

*Required by AMG Line (321) and designo Packages (P62, P87)*



55U

Porcelain Fabric Headliner

*Option price: \$0*

*Available with Silk Beige/Black MB-Tex (115) or Silk Beige/Black Leather (235)*

*Not available with AMG Line (321) or designo Packages (P62, P87)*



58U

Crystal Grey Fabric Headliner

*Option price: \$0*

*Available with Black MB-Tex (101) or Black Leather (221)*

*Not available with AMG Line (321) or designo Packages (P62, P87)*



<i>Code</i>	<i>Upholstery</i>	<i>Seats</i>	<i>Floor Mats</i>	<i>Upper Dash/Lower Dash</i>	<i>Seat Belts</i>	<i>Steering Wheel</i>	<i>Headliner</i>
101	Black MB-Tex	Black	Black	Black	Black	Black	Black or Crystal Grey
115	Silk Beige/Black MB-Tex	Silk Beige	Black	Black/Silk Beige	Silk Beige	Black	Porcelain
221	Black Leather	Black	Black	Black	Black	Black	Black or Crystal Grey
234	Saddle Brown/Black Leather	Saddle Brown	Black	Black/Saddle Brown	Black	Black	Black
235	Silk Beige/Black Leather	Silk Beige	Black	Black/Silk Beige	Silk Beige	Black	Porcelain
971	Black <i>designo</i> Nappa Leather	Black	Black with Black Piping	Black	Black	Black	Black
975	Platinum White Pearl/Black <i>designo</i> Nappa Leather	White/Black	Black with White Piping	Black	Black	Black	Black





**H09**

Natural Grain Brown Ash Wood  
*Option price: \$0*



**H07**

Dark Brown Linden Wood  
*Option price: \$0*



**H24**

Light Brown Linden Wood  
*Option price: \$0*



**731**

Burl Walnut Wood  
*Option price: \$0*  
*Not available with AMG Line (321)*



**737+739**

Natural Grain Black Ash Wood with Aluminum Door  
Trim  
*Option price: \$0*





<i>Code</i>	<i>Packages</i>	<i>Availability</i>	<i>MSRP</i>
P01	<b>Premium Package</b> <i>Requires Blind Spot Assist (234)</i> <ul style="list-style-type: none"> <li>▪ 889 - KEYLESS-GO</li> <li>▪ 536 - SiriusXM® Satellite Radio</li> <li>▪ 550 - Power Folding Mirrors</li> </ul>	All Models	\$ TBD
318	<b>Leather Seating Package</b> <i>Requires Exclusive Interior (P22) or AMG Line (321)</i> <ul style="list-style-type: none"> <li>▪ 2XX - Leather upholstery</li> <li>▪ 242 - 3-Position Memory for Passenger Seat with Adjustable Thigh Support</li> </ul>	All Models	\$ 2,050
319	<b>Exterior Lighting Package</b> <i>Not with Static LED Headlamps (632)</i> <ul style="list-style-type: none"> <li>▪ 640 - Active LED Headlamps</li> <li>▪ 608 - Adaptive Highbeam Assist</li> </ul>	GLC 300 / 300 4MATIC GLC 350e 4M Plug-in Hybrid	\$ 1650 \$ 800
320	<b>Multimedia Package / Intelligent Hybrid Navigation &amp; Multimedia Package (GLC 350e 4M)</b> <i>Requires Premium Package (P01)</i> <i>Not available with Smartphone Integration Package (868)</i> <ul style="list-style-type: none"> <li>▪ 531 - COMAND Navigation with 8.4-inch High-Resolution Color Screen and Voice Control</li> <li>▪ 502 - Navigation Map Updates for First Three Years</li> <li>▪ 448 - Touchpad</li> <li>▪ Additional Intelligent Hybrid Functions for GLC 350e 4M (Requires DYNAMIC SELECT to be in ECO)                             <ul style="list-style-type: none"> <li>▪ <b>Route-Based Battery Optimization</b> Ensures better gas mileage by scanning map data with destination must be set in COMAND. In the background, the car intelligently decides how to use the battery and provides a few miles of e-driving at the end of the route.</li> <li>▪ <b>Anticipatory Operating Mode</b> Optimizes battery usage in HYBRID mode by scanning map data including elevation changes, traffic, and road types up to 4 miles ahead.</li> </ul> </li> </ul>	All Models	\$ 2,200



<i>Code</i>	<i>Packages</i>	<i>Availability</i>	<i>MSRP</i>
997	<p><b>Driver Assistance Package</b></p> <p><i>Requires Premium Package (P01)</i></p> <p><i>Not with Blind Spot Assist (234)</i></p> <ul style="list-style-type: none"> <li>▪ 23P – Driver Assistance Package Plus</li> <li>▪ 233 – DISTRONIC PLUS with Steering Assist and Stop &amp; Go Pilot</li> <li>▪ 237 – Active Blind Spot Assist</li> <li>▪ 238 – Active Lane Keeping Assist</li> <li>▪ 253 – PRE-SAFE® PLUS</li> <li>▪ 268 – BAS PLUS with Cross-Traffic Assist</li> <li>▪ 300 – PRE-SAFE® Brake with Pedestrian Recognition</li> <li>▪ 513 – Speed Limit Assist</li> <li>▪ <b>Additional Intelligent Hybrid Functions for GLC 350e:</b> <ul style="list-style-type: none"> <li>▪ Enhanced Radar Based Regenerative Braking – Improves Fuel Economy by 3-5% with DYNAMIC SELECT set to ECO</li> <li>▪ Anticipatory Shift Strategy – Uses data from DISTRONIC for optimal gearshifts, enhancing sportiness and ride comfort.</li> </ul> </li> </ul>	<p>GLC 300 / 300 4MATIC</p> <p>GLC 350e 4M Plug-in Hybrid</p>	<p>\$ 2,250</p> <p>\$ 2,250</p>
996	<p><b>Parking Assistance Package</b></p> <p><i>Requires Premium Package (P01)</i></p> <p><i>Not available with Trailer Hitch (550)</i></p> <ul style="list-style-type: none"> <li>▪ P44 – Parking Package with Surround View System</li> <li>▪ P17 – HANDS-FREE ACCESS Package</li> <li>▪ 235 – PARKTRONIC w/ Active Parking Assist</li> <li>▪ 501 – Surround View System</li> </ul>	All Models	\$ 1,290
868	<p><b>Smartphone Integration Package</b></p> <p><i>Not available with Multimedia Package (320)</i></p> <p><i>GLC 350e 4M Note: No Intelligent Hybrid Navigation functions are available with Smartphone Integration Package</i></p> <ul style="list-style-type: none"> <li>▪ 14U – Smartphone Integration</li> <li>▪ 16U – Apple CarPlay™</li> <li>▪ 17U – Android Auto</li> </ul>	All Models	\$ 350



<i>Code</i>	<i>Packages</i>	<i>Availability</i>	<i>MSRP</i>
321	<p><b>AMG Line</b></p> <p><i>*For GLC 350e 4M only: requires U26 AMG Line Floor Mats as Standalone due to system limitations</i></p> <ul style="list-style-type: none"> <li>▪ 772 – AMG Line Body Styling</li> <li>▪ P29 – AMG Line Interior</li> <li>▪ P31 – AMG Line Exterior</li> <li>▪ U26 – AMG Line Floor Mats*</li> <li>▪ Flat-Bottom Multifunction Sport Steering Wheel</li> <li>▪ Front Sport Brakes with Perforated Discs and Mercedes-Benz lettered brake calipers (Standard on GLC 350e 4M)</li> <li>▪ Brushed Aluminum Pedals with Rubber Studs</li> </ul>	All Models	\$ 1,600
521	<p><b>Night Package</b></p> <p><i>Requires AMG Line</i></p> <ul style="list-style-type: none"> <li>▪ P55 – High-Gloss Black Elements: Front wing, grille lamellas, rear diffuser insert, exterior mirrors, beltline and window trim</li> <li>▪ 720 – Black Roof Rails</li> </ul>	All Models	\$ 300



<i>Code</i>	<i>Packages</i>	<i>Availability</i>	<i>MSRP</i>
P62	<p><b><i>designo</i> Two-Tone Platinum White Pearl / Black Nappa Leather Package</b></p> <p><i>Requires Heated Front Seats (873) or Heated and Ventilated Front Seats (401)</i></p> <p><i>Requires Natural Grain Black Ash wood center console with brushed aluminum door trim (739)</i></p> <ul style="list-style-type: none"> <li>▪ 975 - <i>designo</i> Platinum White Pearl / Black Two-Tone Nappa leather seats in diamond quilt design, with white contrast stitching, and <i>designo</i> badge on backrests of front and rear seats</li> <li>▪ U04 - <i>designo</i> black floor mats with white border and <i>designo</i> badge in the front floor mats</li> <li>▪ 51U - Black fabric headliner</li> <li>▪ 242 - 3-Position Memory for Passenger Seat with Adjustable Thigh Support</li> <li>▪ U09 - Dashboard and Upper Doors in MB-TeX with topstitching</li> <li>▪ Flat-bottom sport multifunction steering wheel in black Nappa leather (Standard round steering wheel always replaced)</li> </ul>	All Models	\$ 3,950
P87	<p><b><i>designo</i> Black Nappa Leather Package</b></p> <p><i>Requires Heated Front Seats (873) or Heated and Ventilated Front Seats (401)</i></p> <p><i>Requires Dark Brown Linden Wood Trim (H07)</i></p> <ul style="list-style-type: none"> <li>▪ 971 - <i>designo</i> Black Nappa Leather seats in diamond quilt design, with crystal grey contrast stitching, and <i>designo</i> badge on backrests of front and rear seats</li> <li>▪ U04 - <i>designo</i> black floor mats with black border and <i>designo</i> badge in the front floor mats</li> <li>▪ 51U - Black Fabric Headliner</li> <li>▪ 242 - 3-Position Memory for Passenger Seat with Adjustable Thigh Support</li> <li>▪ U09 - Dashboard and Upper Doors in MB-TeX with topstitching</li> </ul>	All Models	\$ 3,950

# Stand-Alone Options



<i>Code</i>	<i>Options</i>	<i>Availability</i>	<i>MSRP</i>
234	Blind Spot Assist <i>GLC 350e 4M: Only with Premium Package (P01)</i>	All Models	\$ 550
282	Ski and Snowboard Bag	GLC 300 / 300 4M	\$ 250
401	Heated and Ventilated Front Seats <i>Only available with Leather Seating Package (318) or <b>designo</b> Packages (P62 or P87)</i>	All Models	\$ 1,030
413	Panorama Sunroof	All Models	\$ 1,480
430	Off-Road Engineering Package <i>Only available with Multimedia Package (320)</i>	GLC 300 4MATIC	\$ TBD
443	Heated Steering Wheel <i>AMG Line (321) and <b>designo</b> Platinum White Pearl/Black Nappa Leather (P62) lose Flat-bottom Steering Wheel</i>	All Models	\$ 250
463	Head-Up Display <i>Requires Premium 1 Package (P01)</i>	All Models	\$ 990
489	AIR BODY CONTROL Air Suspension <b>Strongly Recommended for GLC 350e 4MATIC</b>	GLC 350e 4M Plug-in Hybrid	\$ 1,900
531	3-Zone Climate Control	All Models	\$ TBD
550	Trailer Hitch – Class II Hitch <i>Not with Parking Assistance Package (996)</i>	All Models	\$ 575
632	Static LED Headlamps <i>Not available with Exterior Lighting Package (319), Standard on GLC 350e 4MATIC</i>	GLC 300 / 300 4M	\$ 850
810	Burmester® Surround Sound System	All Models	\$ 850
846	Brushed Aluminum Running Boards	All Models	\$ 670
P21	Air Balance Package	All Models	\$ 250

# Stand-Alone Options



<i>Code</i>	<i>Options</i>	<i>Availability</i>	<i>MSRP</i>	
851	Heat and Noise-Insulating Front Side Glass	GLC 350e 4MATIC	\$	TBD
866	Pre-Installation for Rear Seat Entertainment	All Models	\$	170
872	Heated Rear Seats <i>Requires Heated Front Seats (873 ) or Heated and Ventilated Front Seats (401)</i>	All Models	\$	580
873	Heated Front Seats <i>Not available with Heated and Ventilated Front Seats (401)</i>	All Models	\$	580
U09	MB-Tex Upper Dashboard with Topstitching <i>Included in designo Packages (P62 and P87), Required with P22 Package, Recommended for AMG Line (321)</i>	All Models	\$	350
877/U25	3-Color Ambient Lighting with Illuminated Door Sills	All Models	\$	TBD



# Stand-Alone Options



<i>Code</i>	<i>VPC Installed Accessories</i>	<i>Availability</i>	<i>MSRP</i>
00A	Illuminated Star <i>Not available with Driver Assistance Package (997)</i>	GLC 300 / 300 4M	\$ 500
03A	Garmin® MAP PILOT	All Models	\$ 625
068	Wheel Locks	All Models	\$ 150
070	Chrome Door Handles	All Models	\$ 100
105	Roof Spoiler	All Models	\$ 350
11A	Black Mirror Housing Covers <i>Not available with Carbon Fiber-look Mirror Housing Covers (16A) or Night Package (521)</i>	GLC 300 / 300 4M	\$ 250
15A	LED Logo Projectors	GLC 300 / 300 4M	\$ 200
16A	Carbon Fiber-look Mirror Housing Covers <i>Not available with Black Mirror Housing Covers (11A) or Night Package (521)</i>	GLC 300 / 300 4M	\$ 250
18A	Front Chrome Trim <i>Not available with AMG Line (321)</i>	All Models	\$ 250
19A	Rear Chrome Trim	All Models	\$ 200





## Headlamps



### **Halogen Headlamps including integrated LED daytime running lamps**

*Standard on GLC 300 and GLC 300 4MATIC*

- Reflection-type halogen headlamps offer high light intensity and a long service life. The LED daytime running lamps are integrated into the headlamps



### **LED Headlamps (632)**

*Option price: \$850*

*Standard on GLC 350e 4M Plug-in Hybrid*

- All functions feature LED technology
- Distinctive look by day and night
- Tail lamps with LED technology



### **Active LED Headlamps (640)**

*Only available with 319 Exterior Lighting Package*

*GLC 350e 4M: \$800*

All functions feature LED technology

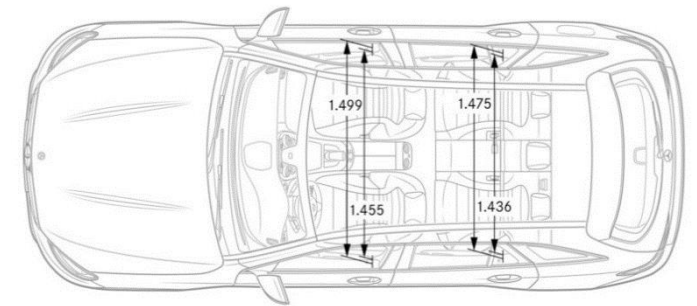
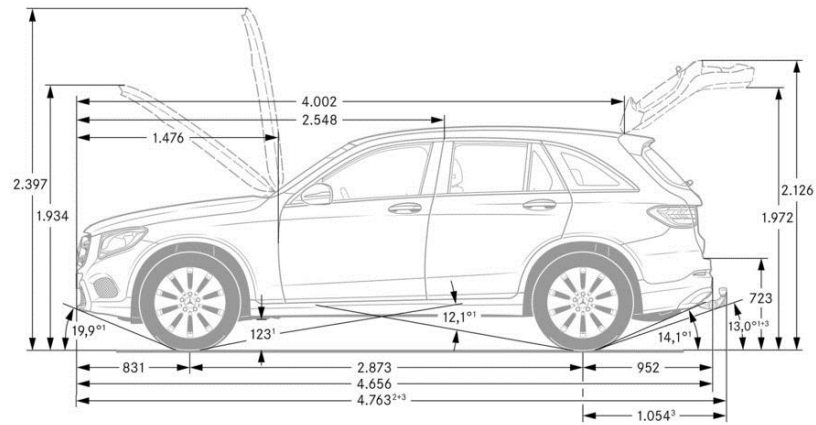
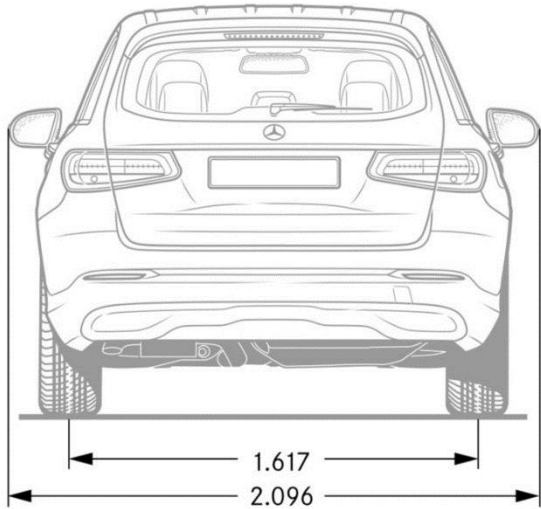
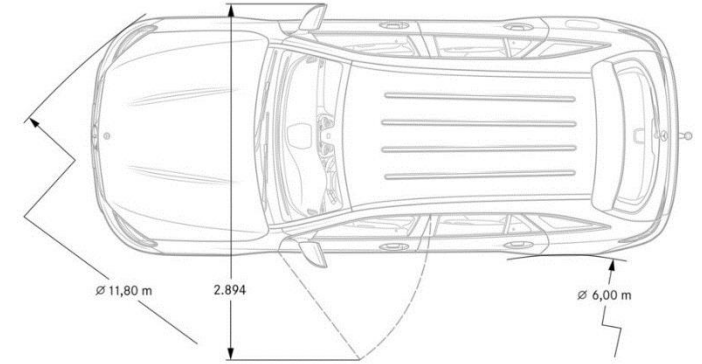
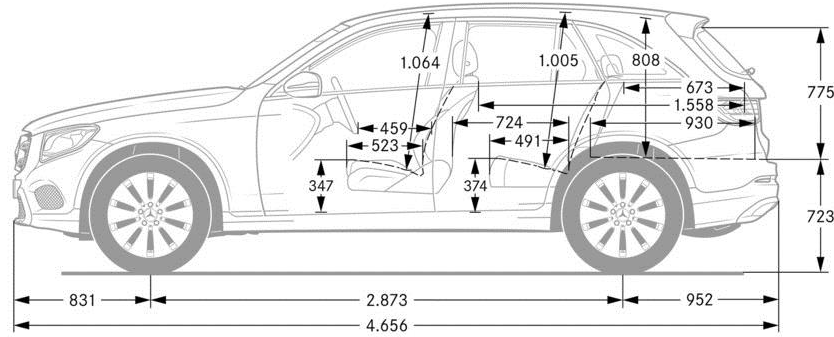
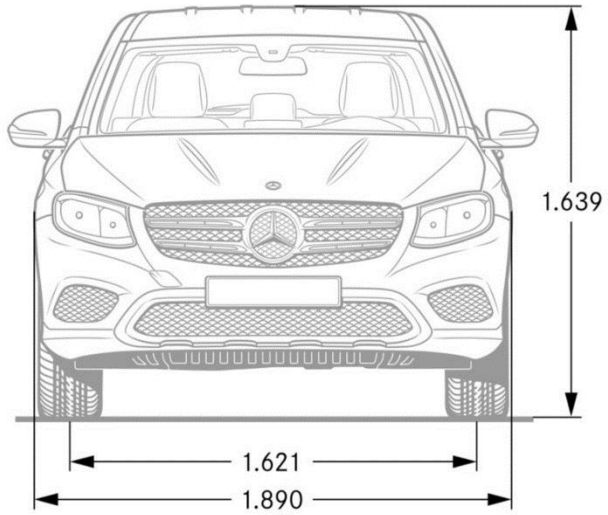
- Automatically activated cornering lights
- Active light function for significantly better illumination in bends
- Long service life thanks to LED technology - no need for bulb changes
- Light color similar to that of daylight
- Low energy consumption
- Tail lamps with LED technology



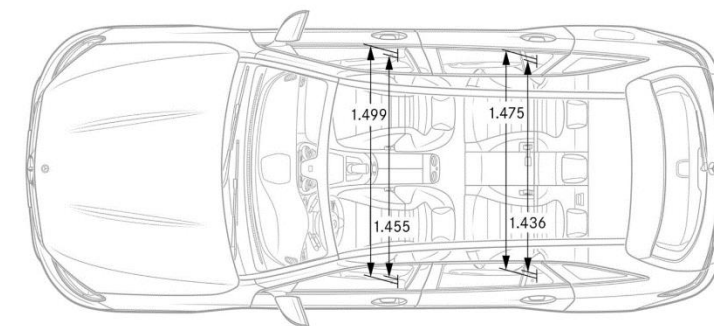
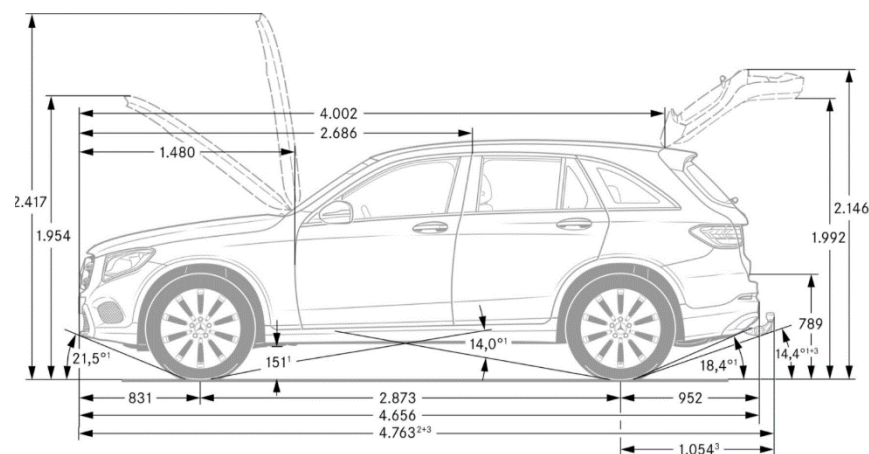
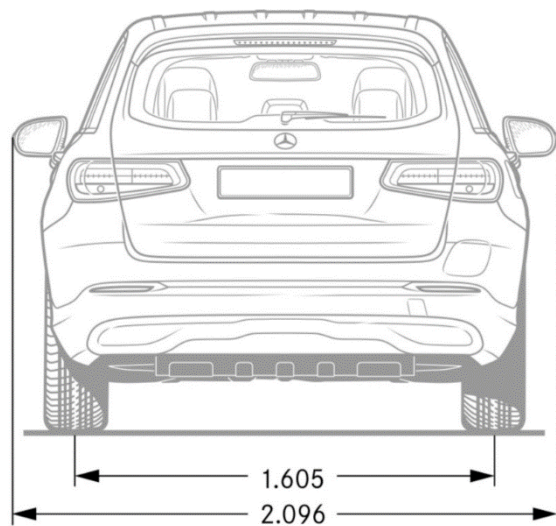
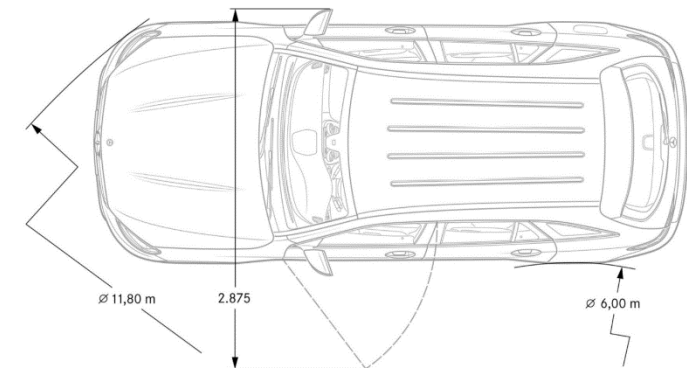
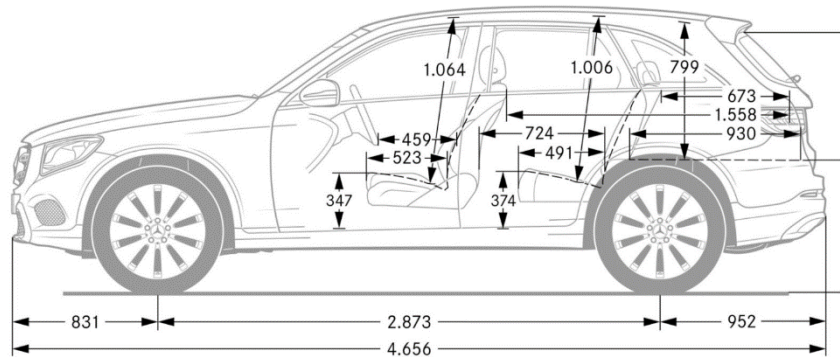
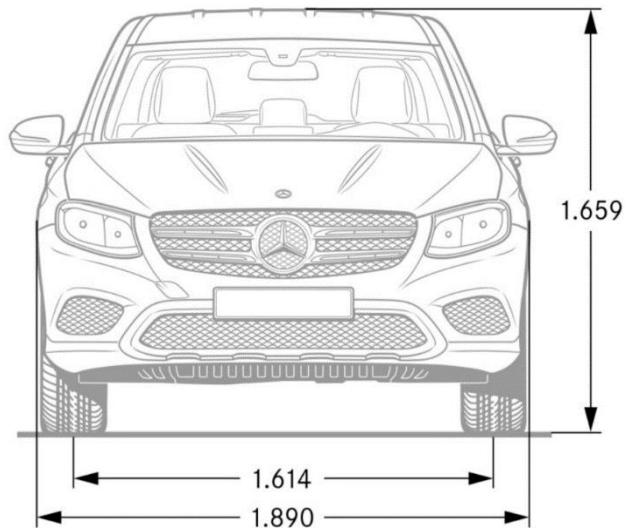


	<i>GLC 300</i>	<i>GLC 300 4MATIC</i>	<i>GLC 350e 4MATIC</i>
Engine Configuration	2.0L inline-4 turbo engine	2.0L inline-4 turbo engine	2.0L inline-4 turbo engine with 85kW Plug-in Hybrid Electric Motor
Power (hp)	241	241	320 combined / 114 electric
Torque (lb-ft)	273	273	413 combined / 251 electric
Displacement (cc)	1,991	1,991	1,991
Acceleration 0-60 mph (sec)	6.3	6.4	6.2
Electric Range (miles)	-	-	TBD
Charge Time, 240V(h) / 110v (h)	-	-	2.5 / 4
Battery Size (kWh)	-	-	8.7
Fuel Economy (Cty/Hwy/Comb)	22/28/24	21/28/24	TBD
Top Speed (mph)	130	130	130 / 84 (electric)
Fuel Requirement (Octane)	91	91	91
# Valves per cylinder	4	4	4
Compression	9.8 : 1	9.8 : 1	9.8 : 1
Transmission	9G-TRONIC	9G-TRONIC	7G-TRONIC
Transmission Speeds	9	9	7
Drive Configuration	Rear-Wheel Drive	All-Wheel Drive	All-Wheel Drive
Fuel Tank Size (gallons)	17.4	17.4	13.2
Trunk Size (cubic feet)	56.5	56.5	TBD - Load floor is 2.5" higher than GLC 300 4M
Curb Weight (lbs)	3,891	4,001	4,564
Vehicle Length (in.)	183.3	183.3	183.3
Vehicle Width w/ exterior mirrors (in.)	74.4	74.4	74.4
Vehicle Height (in.)	64.5	64.5	65.3
Wheelbase (in.)	113.1	113.1	113.1
Track Width Front/Rear (in.)	63.9/63.7	63.9/63.7	63.5/63.1
Coefficient of Drag (Cd)	0.31	0.31	0.33

# Specifications\* – GLC 300/GLC 300 4MATIC



# Specifications\* – GLC 350e 4MATIC Plug-in Hybrid



# AMG GLC SUV



X253

Model Year 2019

Pricing Preliminary – Subject to Change

**AMG**  
DRIVING PERFORMANCE

## *GLC43 4MATIC and GLC63 4MATIC+*

---



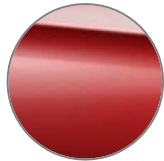
Models



What's new



Standard Equipment



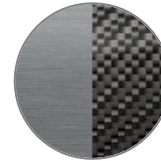
Exterior Paint Colors



Wheels



Interior Upholstery



Interior Trims



Option Packages



Stand-Alone Options



Options in Detail



Build Recommendations



Specifications



*AMG GLC 43 (253.964)*

- MSRP \$tbd
- AMG-enhanced 3.0L V6 biturbo engine
- 362 hp
- 384 lb-ft
- 4.8 sec (0-60 mph)
- Launch date: Q3 2018



*AMG GLC 63 (253.988)*

- MSRP \$tbd
- Handcrafted AMG 4.0L V8 biturbo engine
- 469 hp
- 479 lb-ft
- 3.9 sec (0-60 mph)
- Launch date: Q3 2018

## *Standard Equipment*

- New nomenclature for GLC43 transmission as AMG SPEEDSHIFT® TCT 9-Speed

## *Optional Equipment*

- 3-zone Climate Control (581) available
- AMG Performance Seats (555) available
- Deletion of Manual Rear-Side Window Sunshade (313)
- AMG Performance Steering Wheel (L6K) now available on GLC43
- Ambient Lighting and AMG Illuminated Door Sills (877+U25) moved out of 319 package into stand-alone option
- Deletion of AIR BALANCE Cabin-air Purification and Fragrance System (P21)

## *Packages*

- New *designo* packages available in combination with 555 AMG Performance Seats
- New AMG Performance Studio Package (322) with brand new AMG Optics package (36P)

## *Paint*

- Mojave Silver Metallic replaces Diamond Silver Metallic
- *Designo* Dakota Brown Magno and Dakota Brown Metallic discontinued



## *Performance & Handling*

- GLC43: AMG Enhanced 3.0L V6 Biturbo (362 hp, 384 lb-ft torque)
- GLC63: Handcrafted AMG 4.0L V8 Biturbo (469 hp, 479 lb-ft torque)
- AMG Sport Suspension based on AIR BODY CONTROL
- GLC43: AMG SPEEDSHIFT® TCT 9-speed Automatic Transmission
- GLC63: AMG SPEEDSHIFT® MCT 9-Speed Transmission
- GLC63: Mechanical rear-axle limited-slip differential
- GLC43: AMG Performance 4MATIC (31:69)
- GLC63: AMG Performance 4MATIC+ (fully variable torque distribution)
- GLC63: AMG High Performance Braking System
- AMG DYNAMIC SELECT
- 3-Stage ESP

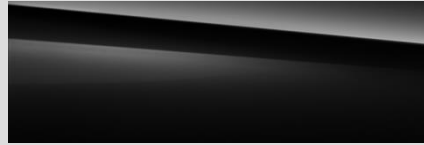
## *Comfort & Convenience*

- KEYLESS START & KEYLESS GO
- Power Folding Mirrors
- Audio System with CD drive
- GLC63: Burmester® Surround Sound System
- Two USB Ports
- Bluetooth® Technology (for Handsfree Phone Use/Audio Streaming)
- SiriusXM Satellite Radio
- HD Radio
- Power Heated Front Seats with Driver Memory
- 4-way Lumbar Support
- Power Tilt & Telescoping Steering Column
- Electronic Cruise Control
- Power Windows with Express Up and Down
- Storage Package
- Central Controller with 7" high-mounted tablet-style color display
- Multifunction leather steering wheel
- Pre-wiring for GARMIN® Map Pilot
- Dual-Zone Automatic Climate Control
- Garage Door Opener
- Intermittent Wipers with Rain Sensor
- Auto-Dimming Driver & Rearview Mirror
- Front and Rear Cupholders
- Split-Folding Rear Seats (40/20/40)
- Power Liftgate
- Automatic Headlamps with Twilight Sensor & Locator Lighting
- GLC63: LED headlamps
- 115V AC Power Outlet

## *Safety & Security*

- New Vehicle 4 Year/50,000 Mile Warranty
- 24h Roadside Assistance Program
- 3-point Seat Belt with Pre-tensioners & Dual-Stage Belt Force Limiter
- Front Dual-Stage Airbags
- Front and Rear Side Window Airbags
- Front Side Airbags
- Driver Knee Airbag
- Rearview Camera
- ISOFIX Anchor and Tether System
- ATTENTION ASSIST Driver Drowsiness Monitor
- COLLISION PREVENTION ASSIST PLUS (CPA+)
- PRE-SAFE
- Smart Key with Panic Button
- Tire Pressure Monitoring System
- Anti-theft Alarm System
- Blind Spot Assist

## Non-metallic Paints



040  
Black  
*Option price: \$0*



149  
Polar White  
*Option price: \$0*

## Metallic Paints



197  
Obsidian Black  
*Option price: \$720*



775  
Iridium Silver  
*Option price: \$720*



859  
Mojave Silver  
*Option price: \$720*



890  
Lunar Blue  
*Option price: \$720*



896  
Brilliant Blue  
*Option price: \$720*



992  
Selenite Grey  
*Option price: \$720*

## designo® Paints



996  
Cardinal Red  
*Option price: \$1,080*



799  
Diamond White  
*Option price: \$1,515*



92R  
20" AMG Multi-Spoke  
R02, R66  
*Option price: \$0*  
GLC43 only



93R  
20" AMG Multi-Spoke w/ Black Accents  
R02, R66  
*Option price: \$0*  
GLC43 only



650  
21" AMG Twin 5-Spoke  
R01, B51  
*Option price: \$1,000*  
GLC43 only



684  
21" AMG Twin 5-Spoke w/ Black Accents  
R01, B51  
*Option price: \$1,000*  
GLC43 only



RZS  
20" AMG Twin 5-Spoke  
R01, B51  
\$0  
GLC63 only



RZT  
20" AMG Twin 5-Spoke w/ Black Accents  
R01, B51  
\$tbd  
GLC63 only



RWA  
21" AMG Twin 5-Spoke  
R01, B51  
\$tbd  
GLC63 only



RWB  
21" AMG Twin 5-Spoke, Black  
R01, B51  
\$tbd  
GLC63 only

Code	Wheel Size	Description	Wheel Dimensions	Mobility	Availability	MSRP
92R	20"	AMG Multi-spoke Wheel	225/45 R20 on 8.5 J x 20 ET 40 285/40 R20 on 9.5 J x 20 ET 22	Front Rear	R02, R66	GLC43 \$0
93R	20"	AMG Multi-spoke Wheel w/ Black Accents	255/40 R20 on 8.5 J x 20 ET 40 285/40 R20 on 9.5 J x 20 ET 22	Front Rear	R02, R66	GLC43 \$0
650	21"	AMG Twin 5-spoke Wheel	255/40 R21 on 8.5 J x 21 ET 40 285/35 R21 on 9.5 J x 21 ET 22	Front Rear	R01, B51	GLC43 \$1,000
684	21"	AMG Twin 5-spoke Wheel w/ Black Accents	255/40 R21 on 8.5 J x 21 ET 40 285/35 R21 on 9.5 J x 21 ET 22	Front Rear	R01, B51	GLC43 \$1,000
RZS	20"	AMG Twin 5-spoke Wheel	265/45 R20 on 9.5 J x 20 ET 30 295/40 R20 on 10 J x 20 ET 28	Front Rear	R01, B51	GLC63 <i>Tbd</i>
RZT	20"	AMG Twin 5-spoke Wheel w/ Black Accents	265/45 R20 on 9.5 J x 20 ET 30 295/40 R20 on 10 J x 20 ET 28	Front Rear	R01, B51	GLC63 <i>Tbd</i>
RWA	21"	AMG Twin 5-spoke Wheel	265/40 R21 on 9.5 J x 21 ET 30 295/35 R21 on 10 J x 21 ET 28	Front Rear	R01, B51	GLC63 <i>Tbd</i>
RWB	21"	AMG Twin 5-spoke Wheel, Black	265/40 R21 on 9.5 J x 21 ET 30 295/35 R21 on 10 J x 21 ET 28	Front Rear	R01, B51	GLC63 <i>Tbd</i>



611

Black MB-TEX w / DINAMICA

*Option price: \$td*

*GLC63 only*



641

Black MB-TEX w/ DINAMICA and Red Stitching

*Option price: \$0*

*GLC43 only*

# Interior Upholstery – Leather



221  
Black  
Option price: \$1,620  
GLC43 only



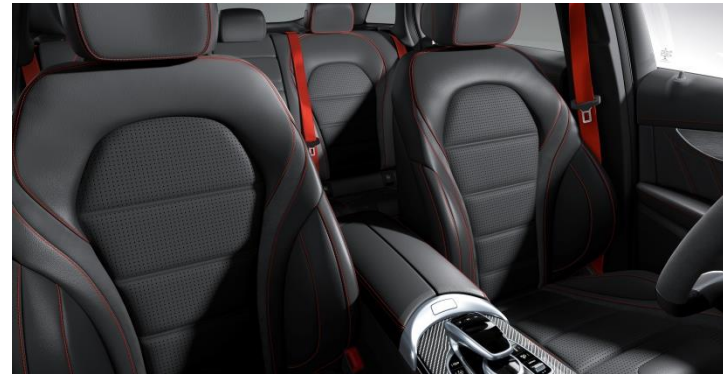
225  
Silk Beige/Espresso Brown  
Option price: \$1,620  
GLC43 only



224  
Espresso Brown/Black  
Option price: \$1,620  
GLC43 only



234  
Saddle Brown/Black  
Option price: \$1,620  
GLC43 only



241  
Black w/ Red Stitching  
Option price: \$1,620  
GLC43 only

# Interior Upholstery – Exclusive Nappa Leather



801

Black

*Option price: \$tbd*

*GLC63 only*



851

Platinum White Pearl/Black

*Option price: \$tbd*

*GLC63 only*



857

Red Pepper/Black

*Option price: \$tbd*

*GLC63 only*

# Interior Upholstery – *designo* Nappa Leather



GLC43: 975

GLC63: 965

Platinum White Pearl/Black

*Option price: \$3,100*

*Requires P62 package (Natural Grain Black Ash Wood & Aluminum Trim included)*



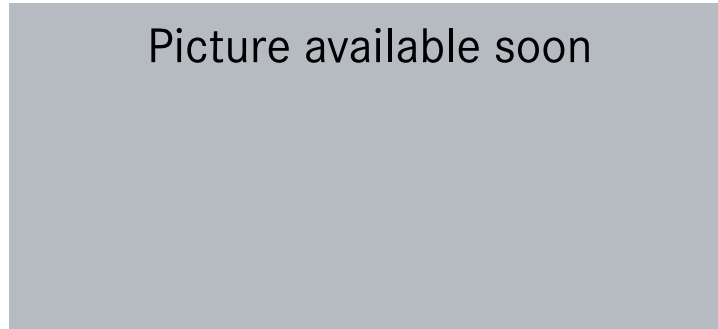
GLC43: 971

GLC63: 961

Black/Black

*Option price: \$3,100*

*Requires P87 package and H07 or H73 Trim*



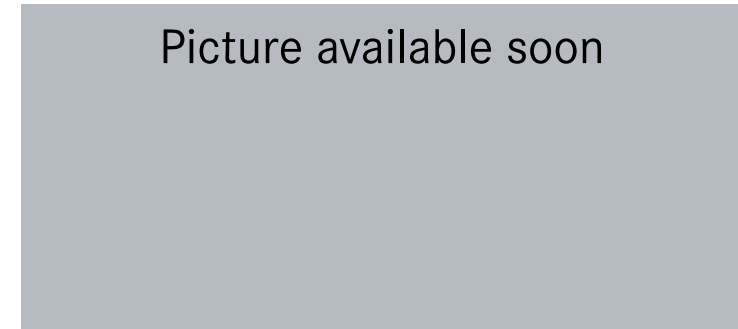
Picture available soon

965

Platinum White Pearl/Black  
w/ AMG Performance Seats

*Option price: tbd (C43 only)*

*Requires P63 package*



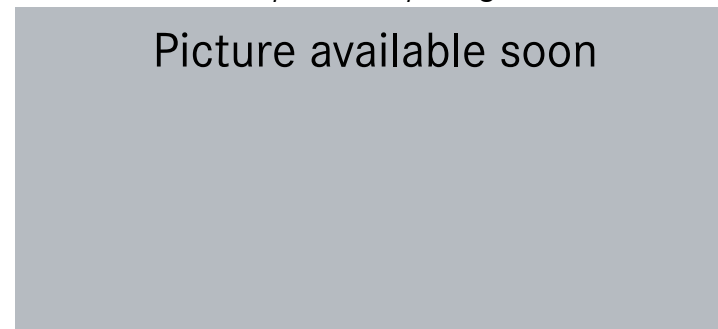
Picture available soon

965

Platinum White Pearl/Black  
w/ AMG Performance Seats

*Option price: tbd (C63 and C63 S only)*

*Requires P62 package w/ 555 seats*



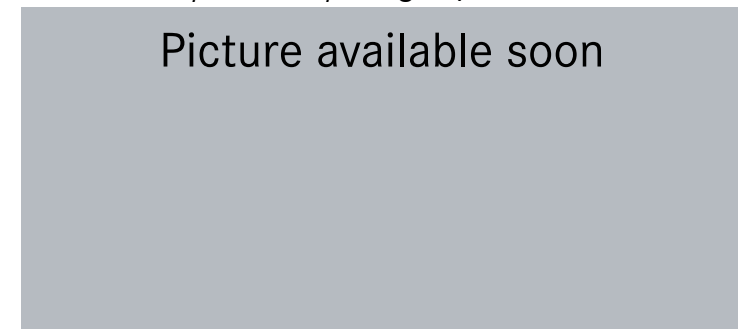
Picture available soon

961

Black/Black

*Option price: tbd (C43 only)*

*Requires P88 package*



Picture available soon

961

Black/Black

*Option price: tbd (C63 and C63 S only)*

*Requires P87 package w/ 555 seats*





51U

Black Fabric Headliner

*Option price: \$0*

*Standard with all upholsteries except Silk  
Beige/Esspresso Brown Leather (225)*

*Standard on GLC63*



55U

Porcelain Fabric Headliner

*Option price: \$0*

*Requires Silk Beige/Esspresso Brown Leather (225)*

*GLC43 only*



<i>Code</i>	<i>Upholstery</i>	<i>Seats</i>	<i>Floor Mats</i>	<i>Upper Dash/Lower Dash</i>	<i>Seat Belts</i>	<i>Steering Wheel</i>	<i>Headliner</i>
641	Black MB-Tex/DINAMICA with red stitching	Black	Black	Black	Red	Black	Black
611	Black MB-Tex/DINAMICA	Black	Black	Black	Black	Black	Black
221	Black	Black	Black	Black	Black	Black	Black
224	Espresso Brown/Black	Espresso Brown	Espresso Brown <i>(non-AMG)</i>	Espresso Brown/Black	Black	Espresso Brown	Black
225	Silk Beige/ Espresso Brown	Silk Beige	Espresso Brown <i>(non-AMG)</i>	Espresso Brown/Silk Beige	Silk Beige	Espresso Brown	Porcelain
234	Saddle Brown/ Black	Saddle Brown	Black	Black/Saddle Brown	Black	Black	Black
241	Black with Red Stitching	Black	Black	Black	Red	Black	Black
801	Black Nappa	Black	Black	Black	Black	Black	Black
851	Platinum White Pearl/Black Nappa	Platinum White Pearl/Black	Black	Black	Black	Black	Black
857	Red Pepper/Black Nappa	Red Pepper/Black	Black	Black	Black	Black	Black
961	<i>designo</i> Black Nappa	Black	Black	Black	Black	Black	Black
965	<i>designo</i> Platinum White Pearl/Black Nappa	Platinum White Pearl/Black	Black	Black	Black	Black	Black
971	<i>designo</i> Black Nappa	Black	Black	Black	Black	Black	Black
975	<i>designo</i> Platinum White Pearl/Black Nappa	Platinum White Pearl/Black	Black	Black	Black	Black	Black



H07

Dark Brown Linden Wood

*Option price: \$0*



H24

Light Brown Linden Wood

*Option price: \$0*



737

Natural Grain Black Ash Wood & Aluminum Trim

*Option price: \$0*



H73

AMG Carbon Fiber

*Option price: \$975*

<i>Code</i>	<i>Packages</i>	<i>Availability</i>	<i>MSRP</i>
P01	<b>Premium Package</b> <i>Standard</i> <ul style="list-style-type: none"> <li>▪ 889 – KEYLESS GO</li> <li>▪ 234 – Blind Spot Assist</li> <li>▪ 536 – SiriusXM® Satellite Radio</li> <li>▪ U80 – 115V AC power outlet</li> </ul>	All Models	Std.
319	<b>Advanced Lighting Package</b> <i>Not with Static LED Headlamps (632)</i> <ul style="list-style-type: none"> <li>▪ 640 – Active LED headlamps</li> <li>▪ 608 – Adaptive Highbeam Assist</li> </ul>	All Models	\$ tbd
320	<b>Multimedia Package</b> <i>Not available with Smartphone Integration Package (868)</i> <ul style="list-style-type: none"> <li>▪ 531 – COMAND navigation</li> <li>▪ 502 – Navigation map updates for 3 years</li> <li>▪ 448 – Touchpad</li> <li>▪ 815 – Single-disc CD/DVD player</li> </ul>	All Models	\$ 2,200
996	<b>Advanced Parking Assist Package</b> <i>Not available with Trailer Hitch (550)</i> <ul style="list-style-type: none"> <li>▪ P44 – Parking Pilot with Surround View System</li> <li>▪ P17 – HANDS-FREE ACCESS Package</li> <li>▪ 235 – PARKTRONIC with Active Parking Assist</li> </ul>	All Models	\$ 1,290

<i>Code</i>	<i>Packages</i>	<i>Availability</i>	<i>MSRP</i>
997	<p><b>Driver Assistance Package</b>  <i>Requires Multimedia Package (320)</i></p> <ul style="list-style-type: none"> <li>▪ 23P - Driver Assistance Package Plus</li> <li>▪ 233 - DISTRONIC PLUS with Steering Pilot</li> <li>▪ 237 - Active Blind Spot Assist</li> <li>▪ 238 - Active Lane Keeping Assist</li> <li>▪ 253 - PRE-SAFE® PLUS</li> <li>▪ 268 - BAS PLUS with Cross-Traffic Assist</li> <li>▪ 300 - PRE-SAFE® Brake with Pedestrian Recognition</li> <li>▪ 513 - Speed Limit Assist</li> </ul>	All Models	\$ 2,250
521	<p><b>AMG Night Package</b>  <i>GLC43 requires choice of wheel 93R or 684</i></p> <ul style="list-style-type: none"> <li>▪ GLC43: Gloss black elements include front simulated underguard, front fins, and rear diffuser trim; roof rails in black and exhaust tailpipes in black chrome</li> <li>▪ GLC63: Gloss black elements include front splitter, side sill inserts, exterior mirror housings, shoulderline trim strip and window frame; roof rails in black; exhaust tailpipes in black chrome</li> </ul>	GLC43  GLC63	\$ 200  \$ 750
868	<p><b>Smartphone Integration Package (<i>Delayed Availability</i>)</b>  <i>Not available with Multimedia Package (320)</i></p> <ul style="list-style-type: none"> <li>▪ 14U - Smartphone Integration</li> <li>▪ 16U - Apple CarPlay™</li> <li>▪ 17U - Android Auto</li> </ul>	All Models	\$ 350

Code	Packages	Availability	MSRP
P62	<p><b>designo Platinum White Pearl/Black Nappa Leather Package</b>  <i>Includes Natural Grain Black Ash Wood (737); requires Aluminum Trim (739)</i></p> <ul style="list-style-type: none"> <li>▪ <i>designo</i> Platinum White Pearl / Black Two-Tone Nappa Leather seats in diamond quilt design, with white contrast stitching, and <i>designo</i> badge on backrests of front and rear seats (interior code 975 on GLC43, interior code 965 on GLC63)</li> <li>▪ Center door panels and armrests in Platinum White Pearl</li> <li>▪ Optional with 555 AMG Performance Seats on GLC63</li> </ul>	All Models	\$ 3,100
P63	<p><b>designo Platinum White Pearl/Black Nappa Leather Package w/ AMG Performance Seats</b>  <i>Includes Natural Grain Black Ash Wood (737); requires Aluminum Trim (739)</i></p> <ul style="list-style-type: none"> <li>▪ <i>designo</i> Platinum White Pearl / Black Two-Tone Nappa Leather seats in diamond quilt design, with white contrast stitching, and <i>designo</i> badge on backrests of front and rear seats (interior code 965)</li> <li>▪ Center door panels and armrests in Platinum White Pearl</li> <li>▪ Package comes with 555 AMG Performance Seats</li> </ul>	GLC43	\$
P87	<p><b>designo Black Nappa Leather Package</b>  <i>Requires Dark Brown Linden Wood Trim (H07) or AMG Carbon Fiber Trim (H73)</i></p> <ul style="list-style-type: none"> <li>▪ <i>designo</i> Black Nappa Leather seats in diamond quilt design, with crystal grey contrast stitching, and <i>designo</i> badge on backrests of front and rear seats (interior code 971 on GLC43, interior code 961 on GLC63)</li> <li>▪ Center door panels and armrests in Black with crystal grey contrast stitching</li> <li>▪ Optional with 555 AMG Performance Seats on GLC63</li> </ul>	All Models	\$ 3,100
P88	<p><b>designo Black Nappa Leather Package w/ AMG Performance Seats</b>  <i>Requires Dark Brown Linden Wood Trim (H07) or AMG Carbon Fiber Trim (H73)</i></p> <ul style="list-style-type: none"> <li>▪ <i>designo</i> Black Nappa Leather seats in diamond quilt design, with crystal grey contrast stitching, and <i>designo</i> badge on backrests of front and rear seats (interior code 961)</li> <li>▪ Center door panels and armrests in Black with crystal grey contrast stitching</li> <li>▪ Package comes with 555 AMG Performance Seats</li> </ul>	GLC43	

<i>Code</i>	<i>Packages</i>	<i>Availability</i>	<i>MSRP</i>
B28	<b>Exterior Carbon Fiber Package</b> <ul style="list-style-type: none"> <li>▪ <b>GLC43:</b> AMG Exterior Mirror Housings</li> <li>▪ <b>GLC63:</b> AMG Exterior Mirror Housings and AMG Spoiler Lip in Carbon Fiber</li> </ul>	GLC43 GLC63	\$ 1,200 \$ Tbd
322	<b>AMG Performance Studio Package</b> <ul style="list-style-type: none"> <li>▪ 36P - AMG Optics Package includes high-gloss black for the following: front splitter in the front apron, diffuser board on rear apron, and spoiler lip</li> <li>▪ P55 - AMG Night Package includes high-gloss black for the following: front simulated underguard, front fins, rear diffuser trim; exhaust tailpipes in black chrome</li> </ul>	GLC43	\$ tbd

# Stand-Alone Options



DRIVING PERFORMANCE

<i>Code</i>	<i>Options</i>	<i>MSRP</i>
B51	TIREFIT <i>Standard on GLC63; For GLC43, only with 21" wheels (650, 684)</i>	\$ 0
U17	Replace Red Seatbelts with Black <i>Only available on GLC43; Requires 641 and 241 upholsteries</i>	\$ 0
U78	AMG Performance Exhaust System	\$ 1,250
255	AMG Track Pace App <i>Requires Multimedia Package (320)</i>	\$ 150
260	Deletion of Rear Deck Badges	\$ Tbd
261	Deletion of Side Badges	\$ tbd
282	Ski and Snowboard Bag	\$ 250
401	Heated and Ventilated Front Seats <i>Requires leather upholstery</i>	\$ 450
413	Panorama Roof <i>Steel Roof is standard without sunroof</i>	\$ 1,500
443	Heated Steering Wheel <i>Not with 224 &amp; 225 upholsteries; only available on GLC43</i>	\$ 250
463	Head-Up Display with AMG-specific Content	\$ 990
550	Class II Trailer Hitch <i>Not with Advanced Parking Assist Package (996)</i>	\$ 575
581	3-Zone Automatic Climate Control	\$ tbd
632	LED Headlamps <i>Standard on GLC63; Not available with Advanced Lighting Package (319)</i>	\$ 850
810	Burmester® Surround Sound System <i>Standard on GLC63</i>	\$ 850
846	Brushed Aluminum Running Boards	\$ 670



# Stand-Alone Options



DRIVING PERFORMANCE

<i>Code</i>	<i>Options</i>	<i>MSRP</i>
866	Pre-Wiring for Rear Seat Entertainment	\$ tbd
872	Heated Rear Seats ( <i>must have 873 or 401</i> )	\$ 580
877+U25	Ambient Lighting and AMG Illuminated Door Sills	\$ tbd

<i>Code</i>	<i>VPC Installed Accessories</i>	<i>MSRP</i>
00A	Illuminated Star <i>Not with Driver's Assistance Package (997)</i>	\$ 500
03A	SD-Card for GARMIN® Map Pilot Navigation <i>Not with Multimedia Package (320)</i>	\$ 625
068	Wheel Locks	\$ 150
070	Chrome Door Handle Inserts (set of four)	\$ 100
105	Roof Spoiler	\$ 350
11A	Black Mirror Housings <i>Only available on GLC63</i>	\$ 250
15A	LED Logo Projectors (set of two)	\$ 200
16A	Carbon Fiber Look Exterior Mirror Covers <i>Only available on GLC63; Not available with AMG Carbon Fiber Exterior Package (B28) or AMG Night Package (521)</i>	\$ 250
<i>Code</i>	<i>Special Order Options (Additional Charge of \$250)</i>	<i>MSRP</i>
293	Rear Side Air Bags	\$ 420

## *Steering Wheels*



### **Sport Steering Wheel**

*Option price: \$0*

*GLC43 only*

*Not available with 224 and 225 upholstery.*

The 12 ergonomic control buttons on the leather multifunction sport steering wheel with flattened bottom section enable operation of the display menus in the instrument cluster and the Audio/COMAND display on the left. On the right, the driver can control the volume of audio devices, telephone and navigation system. Silver-colored aluminum shift paddles emphasize the sporty appeal.



### **Heated Steering Wheel (443)**

*Option price: \$250*

*GLC43 only*

*Not with 224 & 225 upholstery*

On cold days, heating of the steering wheel rim very rapidly ensures cozy temperatures of the grip area and thus also warm hands. The temperature oscillates around 95°F.

## Steering Wheels



### AMG Performance Steering Wheel in Nappa (L6J)

*Option price: \$tbd*

*Standard on GLC63*

For outstanding vehicle control, the AMG Performance steering wheel in Nappa leather features a flattened bottom section as well as perforated grip areas. The sporty design is completed by silver-colored aluminum shift paddles and a 12-o'clock marker.

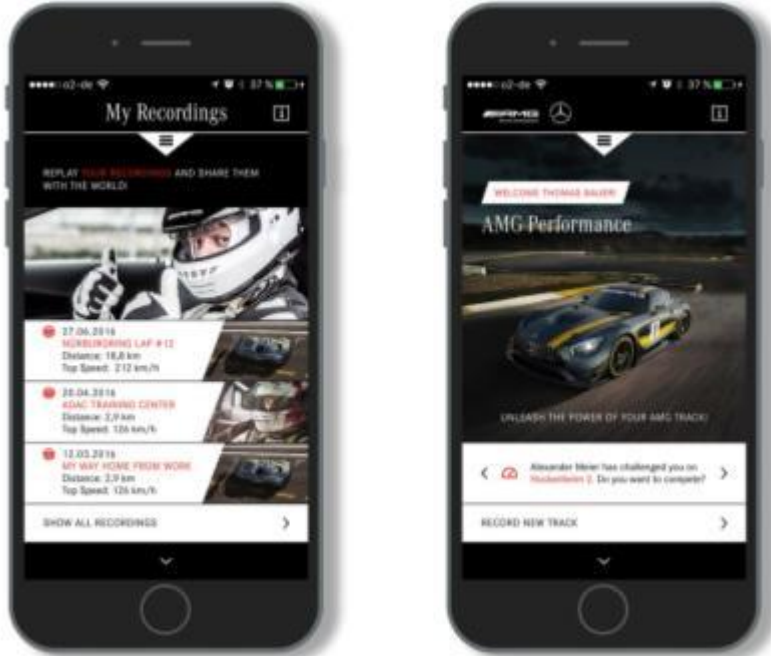


### AMG Performance Steering Wheel in Nappa/DINAMICA (L6K)

*Option price: \$tbd*

For even better grip during sporty maneuvers, the grip area on the AMG Performance steering wheel in Nappa leather is finished in DINAMICA microfiber. The steering wheel bezel comes in silver chrome with "AMG" lettering, silver-colored aluminum shift paddles and a 12-o'clock marker to round off the design.

## AMG Track Pace App for Apple iPhone® (255)



### AMG Track Pace App for Apple iPhone® (255)

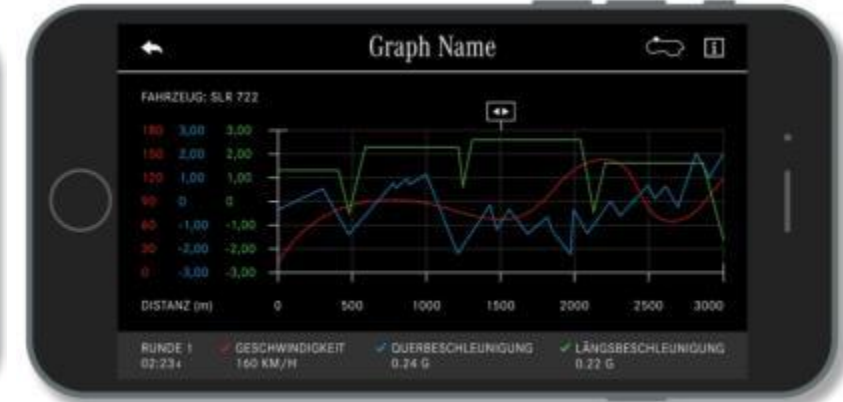
Option price: \$150

Requires Multimedia Package (320)

With the "AMG Track Pace" app, a smartphone can be turned into a personal racing engineer. This enables lap/sector times or even videos to be recorded and analyzed. Another attractive feature is the option to exchange data with other AMG drivers e.g. via social networks.

Overview of the AMG Track Pace app:

- Stores vehicle-specific data (e.g. speed, acceleration) as well as lap and sector times
- Video recordings via smartphone/GoPro are also possible
- Driving ability can be analyzed and improved in a targeted manner
- Connection via WLAN
- Exchange data with other AMG drivers via social networks such as Facebook (Share function) or the AMG Private Lounge





## *Build Recommendation for the GLC43 SUV*

Model	GLC 43 SUV	GLC43 SUV	GLC43 SUV
<b>Baumuster</b>	253964	253964	253964
<b>Exterior Color</b>	992 Selenite Grey Metallic	197 Obsidian Black Metallic	149 Polar White
<b>Upholstery</b>	641 Black MB-Tex/DINAMICA	234 Saddle Brown/Black	241 Black Leather w/ Red Stitching
<b>Option Package</b>	868 Smartphone Integration	320 Multimedia Package 996 Advanced Parking Assist Package	319 Advanced lighting package 996 Advanced Parking Assist Package 320 Multimedia Package 997 Driver Assistance Package
<b>Wheel</b>	92R 20" AMG Multi-Spoke	684 21" AMG Twin 5-Spoke w/Black Accents	684 21" AMG Twin 5-spoke w/ black accents
<b>Trim</b>	737 Natural Grain Black Ash Wood/Aluminum	H73 AMG Carbon Fiber	H73 AMG Carbon Fiber
<b>Standalone Options</b>	Y05 Red Seat Belts 413 Panorama Roof 632 Static LED Headlamps R02 All-Season Tires 810 Burmester® Surround Sound System U78 AMG Performance Exhaust	810 Burmester Surround Sound 413 Panorama Roof 632 Static LED Headlamps U78 AMG Performance Exhaust	810 Burmester Surround Sound 413 Panorama Roof 401 Heated & Ventilated Front Seats 255 AMG Track Pace app B51 Tirefit U78 AMG Performance exhaust
<b>MSRP Range</b>	<b>LOW</b>	<b>MEDIUM</b>	<b>HIGH</b>



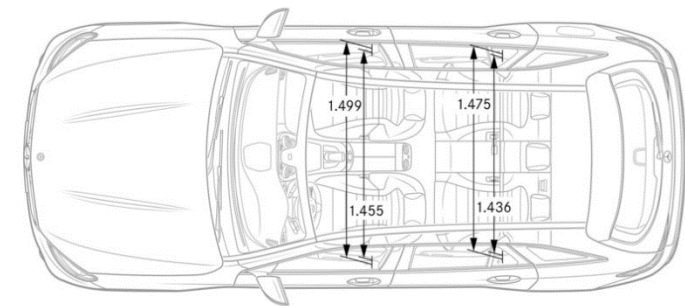
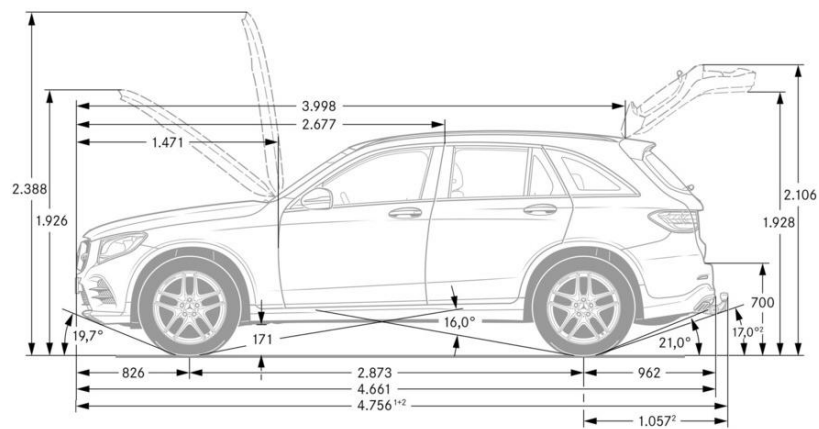
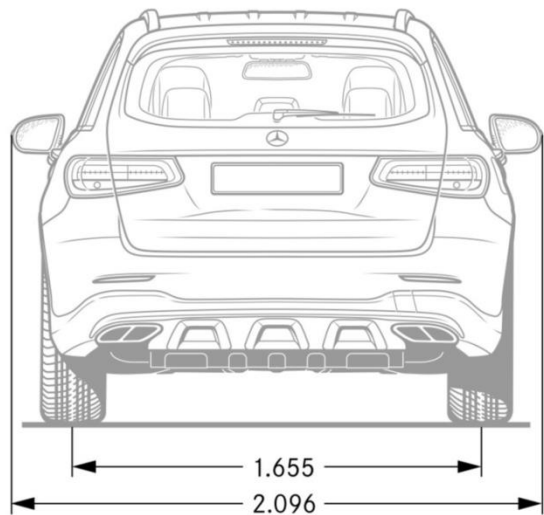
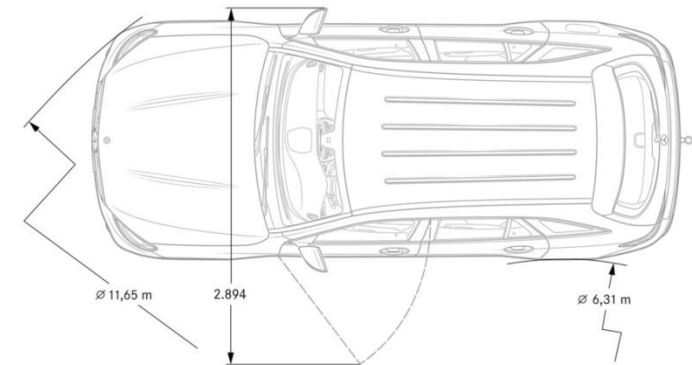
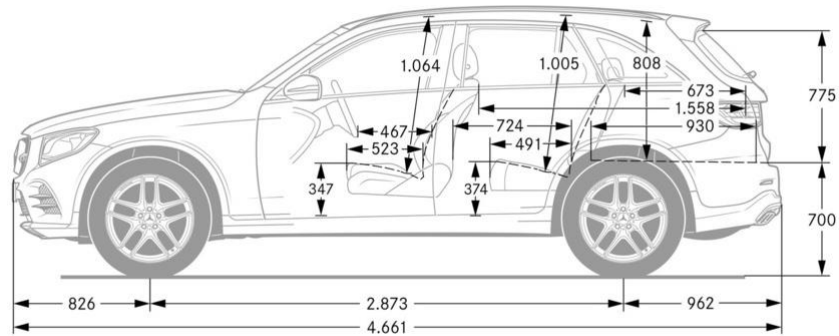
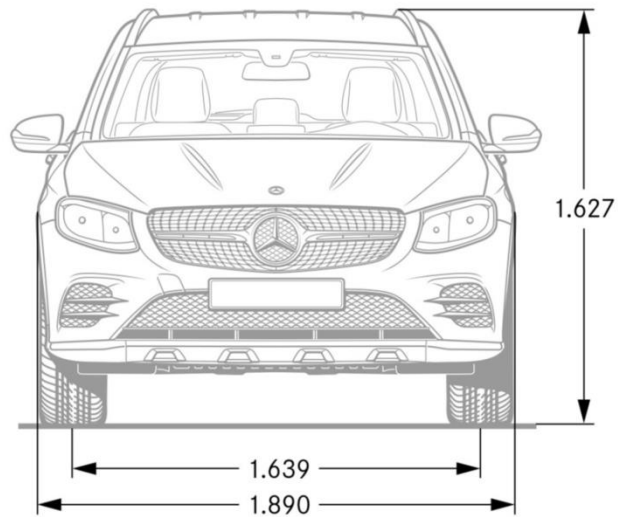
## *Build Recommendation for the GLC63 SUV*

Model	GLC63 SUV	GLC63 SUV
Baumuster	253988	253988
Exterior Color	149 Polar White	197 Obsidian Black Metallic
Upholstery	611 Black MB-Tex/DINAMICA	857 Red Pepper/Black Nappa
Option Package	521 AMG Night Package 868 Smartphone Integration	997 Driver Assistance Package 996 Advanced Parking Assist Package 320 Multimedia Package
Wheel	RWB 21" AMG Twin 5-Spoke	RWA 21" AMG Twin 5-Spoke
Trim	737 Natural Grain Black Ash Wood/Aluminum	H73 AMG Carbon fiber
Standalone Options	U78 AMG Performance Exhaust 413 Panorama Roof	413 Panorama Roof 401 Heated & Ventilated Front Seats 255 AMG Track Pace app U78 AMG Performance exhaust
MSRP Range	LOW	HIGH

	<i>AMG GLC 43</i>	<i>AMG GLC 63</i>
Engine Configuration	AMG-enhanced 3.0L V6 biturbo engine	Handcrafted AMG 4.0L V8 biturbo engine
Power (hp)	362	469
Torque (lb-ft)	384	479
Displacement (cc)	2,996	3,982
Acceleration 0-60 mph (sec)	4.8	3.9
Fuel Economy (Cty/Hwy/Comb)	18/24/20	Tbd
Top Speed (mph)	130 (lim.)	155 (lim.)
Fuel Requirement (Octane)	91	91
# Valves per cylinder	4	4
Compression	10.7 : 1	10.5 : 1
Transmission	AMG-enhanced 9G-TRONIC	AMG SPEEDSHIFT® MCT 9-Speed
Transmission Speeds	9	9
Drive Configuration	All-Wheel Drive	All-Wheel Drive
Fuel Tank Size (gallons)	17.4	17.4
Trunk Size (cubic feet)	56.5	56.5
Curb Weight (lbs)	4,145	4,462
Vehicle Length (in.)	183.5	184.2
Vehicle Width w/ exterior mirrors (in.)	82.5	82.5
Vehicle Height (in.)	64.1	63.8
Wheelbase (in.)	113.1	113.1
Track Width Front/Rear (in.)	64.5/65.2	66.3/65.7
Coefficient of Drag (Cd)	n/a	n/a



# Specifications\* – GLC 43 SUV



# Specifications\* – GLC 63 SUV

