

# 2022 GLC Coupe Order Guide



# Table of Contents

1	<a href="#">General Information</a>
2	<a href="#">What's New</a>
3	<a href="#">Models</a>
4	<a href="#">Equipment</a>
4.1	<a href="#">Standard Equipment</a>
4.2	<a href="#">Exterior Paint Colors</a>
4.3	<a href="#">Wheels</a>
4.4	<a href="#">Interior Upholstery</a>
4.6	<a href="#">Interior Trims</a>
4.7	<a href="#">Packages</a>
4.8	<a href="#">Options</a>
4.9	<a href="#">Specifications</a>
5	<a href="#">Options In Detail</a>
6	<a href="#">Gallery</a>



# General Information

## Important Note

The information presented in this guide is based on the most current information available and is intended for internal use only. Mercedes-Benz reserves the right to make changes at any time, without notice, to colors, materials, equipment, special specifications and models.

Pricing may not yet be finalized for some models or options.

Due to variances among monitors and printers the colors that appear on your screen and printouts may not be exact.

For illustrative purposes, some images may show vehicles with European Specification.

## Revision History

<b>Date</b>	<b>Description</b>
06/16/2021	AMG Pricing Updates on Wheels, Paints, LED Intelligent Light System, and 2 USB Ports in Rear
05/25/2021	Initial publication.



# What's New

## GLC300C4



### *Paints*

- **Starling Blue**

### *Standard Equipment*

- **Adaptive Highbeam Assist (608), previously a standalone option, becomes standard**
- **USB-C Adapter, previously a VPC accessory, becomes standard**
- **HANDS-FREE ACCESS (871), previously a standalone option, becomes standard**
- **Parking Damage Detection (852), previously a standalone option, becomes standard.**
- **USB Ports in Rear becomes standard (replaces 115V AC Outlet in Rear, which is now a standalone option)**

### *Optional Equipment*

- **115V Outlet in Rear (U80) now a standalone option**
- **AMG Line (DG3) now contains perforated brake discs with Mercedes-Benz lettered calipers**
- **Due to Adaptive Highbeam Assist (608) now being standard, Exterior Lighting Package (DA4) is discontinued and the LED Intelligent Light System (640) is a standalone option**

### *Paints*

- **Starling Blue Metallic (970) replaces Brilliant Blue Metallic (896)**

### *Upholstery*

- **Silk Beige Leather (235) discontinued**
- **designo Platinum White/Black Nappa Leather (975) discontinued**
- **Magma Grey Leather (228) discontinued**

### *Trim*

- **Natural Grain Brown Ash wood (H09) discontinued**

### *Wheels*

- **19" 10-Spoke Wheels (R58) discontinued**
- **20" Twin 5-Spoke Wheels (30R) discontinued**

### *VPC Accessories*

- **Mirror Housing Covers, Carbon Style (D17) discontinued**



# Models



## ***GLC300C4 (253.384)***

- MSRP: TBD
- Transmission: 9G-TRONIC
- Transmission Speeds: 9
- Acceleration 0-60 mph (sec): 6.2
- Engine Configuration: 2.0L inline-4 turbo engine
- Power (hp): 255
- Torque (lb-ft): 273
- Launch Date: Fall 2021



# Standard Equipment

GLC300C4



## *Performance & Handling*

- 2.0L inline-4 turbo engine
- 4MATIC® Permanent All-Wheel Drive
- DYNAMIC SELECT
- 9G-TRONIC 9-Speed Automatic Transmission
- ECO Start/Stop System
- Independent Front/Rear Suspension

## *Comfort & Convenience*

- MBUX intelligent vehicle assistant (“Hey Mercedes”)
- Heated Front Seats
- SiriusXM® Satellite Radio w/ 6-month Trial (536)
- KEYLESS-START
- Bluetooth® Technology (for Handsfree Phone Use/Audio Streaming)
- Dual-Zone Automatic Climate Control
- Touchpad with haptic feedback
- Frontbass® Audio System
- 4-way Lumbar Support
- Electronic Cruise Control
- Storage Package
- Intermittent Wipers with Rain Sensor
- Split-Folding Rear Seats (40/20/40)
- Sunroof
- USB-Ports in Rear
- 10.25” center touchscreen display
- Power Front Seats with Driver Memory
- KEYLESS-GO® (889)
- 64-Color Ambient Lighting w/ Illuminated Door Sills (877+U25)
- Two USB Ports
- Multifunction leather steering wheel w/ Touch Control Buttons
- Power-Folding Side Mirrors
- HD Radio
- Power Tilt & Telescoping Steering Column
- Power Windows with Express Up and Down
- Garage Door Opener
- Auto-Dimming Driver & Rearview Mirror
- Power Liftgate
- USB-C Adapter
- HANDS-FREE ACCESS

## *Safety & Security*

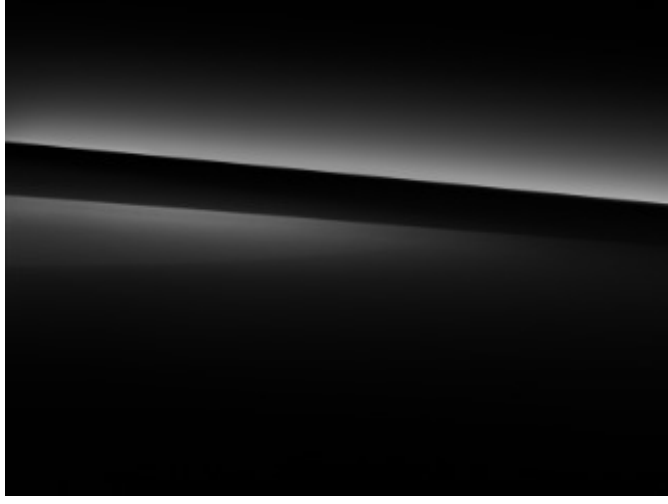
- New Vehicle 4 Year/50,000 Mile Warranty
- Blind Spot Assist (234)
- PRE-SAFE® now w/ PRE-SAFE Sound
- Surround View System
- 3-point Seat Belt with Pretensioners & Dual-Stage Belt Force Limiter
- Front and Rear Side Window Airbags
- Driver Kneebag
- ISOFIX Anchor and Tether System
- Tire Pressure Monitoring System
- Parking Damage Detection
- 24h Roadside Assistance Program
- LED Headlamps and Taillamps
- PARKTRONIC w/ Active Parking Assist
- Active Brake Assist
- Front Dual-Stage Airbags
- Front Side Airbags
- Rearview Camera
- ATTENTION ASSIST Driver Drowsiness Monitor
- Anti-theft Alarm System
- Adaptive Highbeam Assist





# Paint

## Non-Metallic Paints

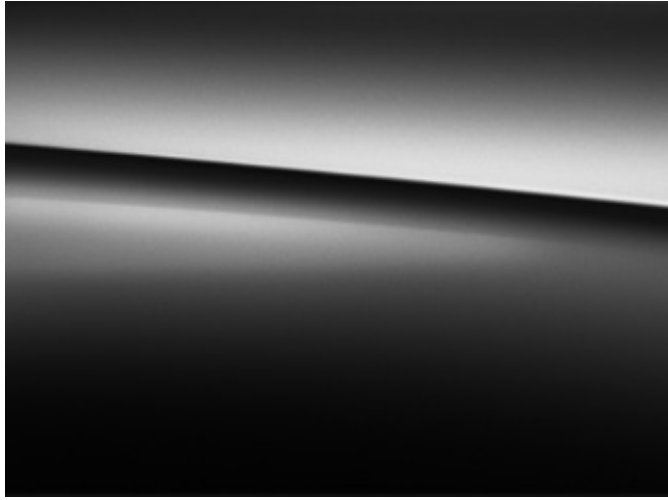


040 - Black

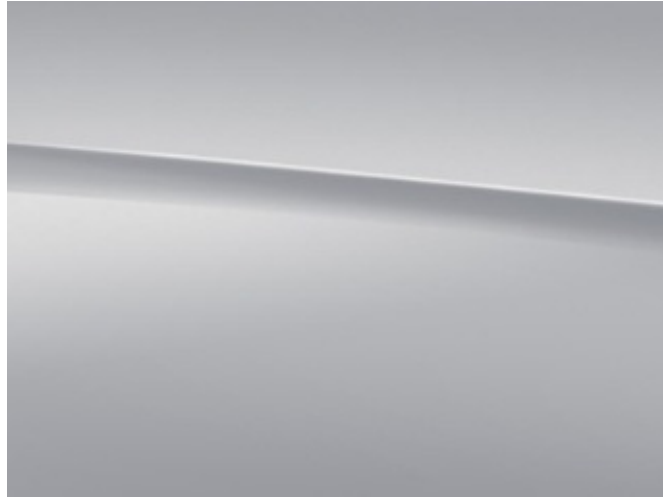


149 - Polar White

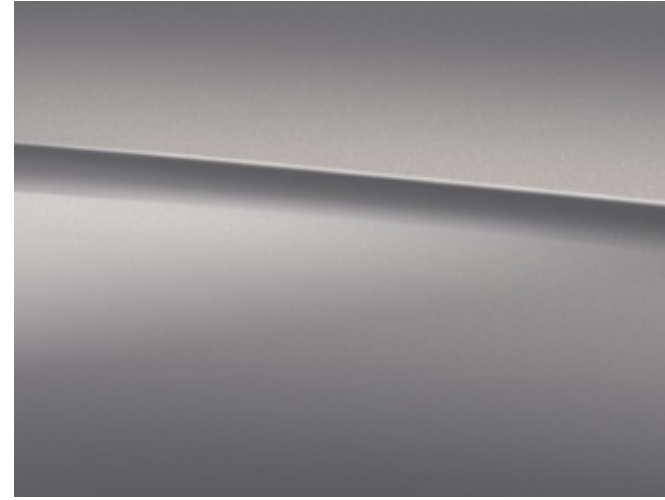
## Metallic Paints



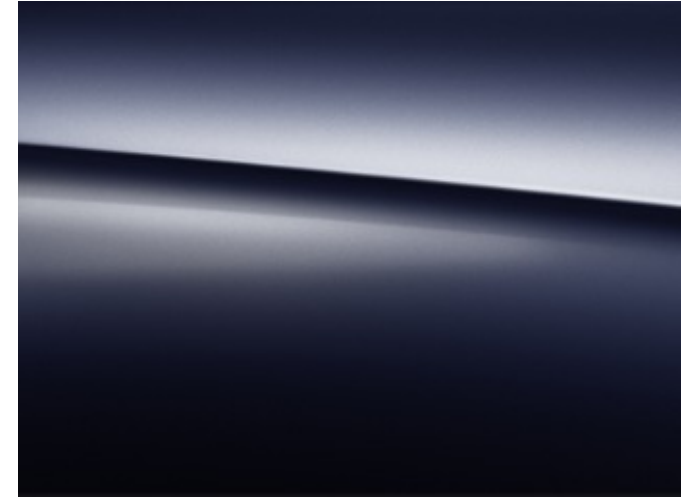
197 - Obsidian Black



922 - Cirrus Silver



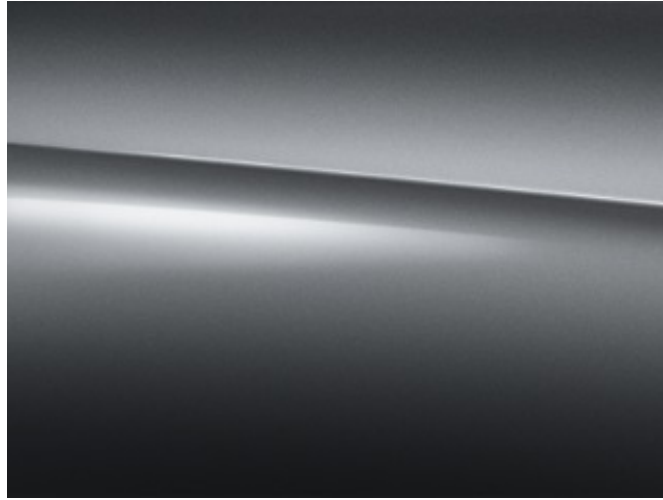
859 - Mojave Silver



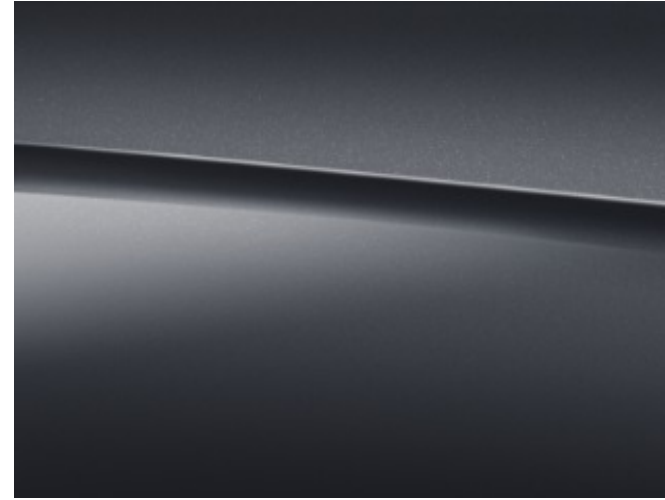
890 - Lunar Blue



970 - Starling Blue



992 - Selenite Grey

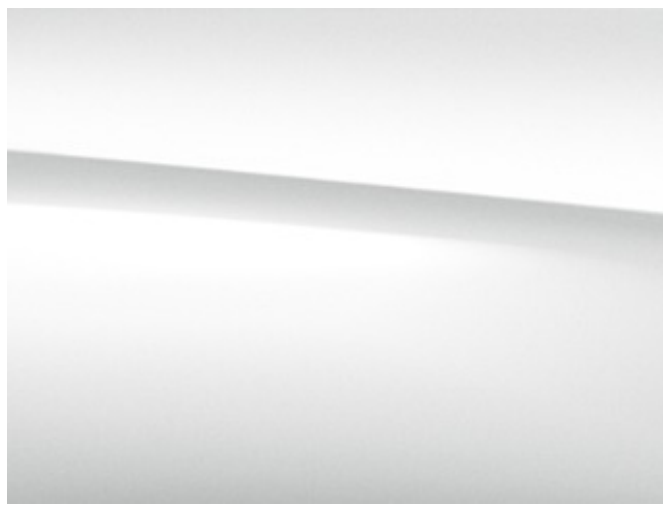


831 - Graphite Grey

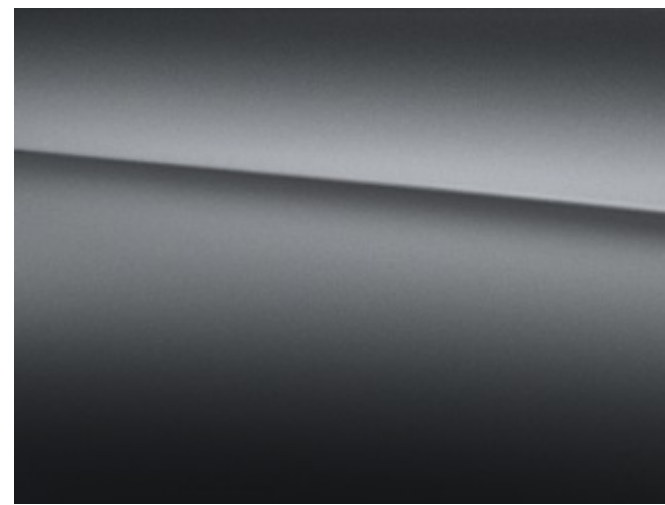
## designo Paints



996 - Cardinal Red Metallic



799 - Diamond White Metallic



297 - Selenite Grey Magno

<i>Code</i>	<i>Description</i>	<i>Availability</i>	<i>Price</i>
040	Black	All Models	\$0
149	Polar White	All Models	\$0
197	Obsidian Black	All Models	\$750
922	Cirrus Silver	All Models	\$750
859	Mojave Silver	All Models	\$750
890	Lunar Blue	All Models	\$750
970 (New)	Starling Blue	All Models	\$750
992	Selenite Grey	All Models	\$750
831	Graphite Grey	All Models	\$750
996	Cardinal Red Metallic	All Models	\$1,080
799	Diamond White Metallic	All Models	\$1,515
297	Selenite Grey Magno	All Models	\$2,020



# Wheels



**48R - 19" 5-Spoke Wheels w/ Grey Accents**

19"

R02 (All-Season Tires), R66 (MOE Tires - Extended Mobility)  
5-Spoke Wheels  
235/55 R19 on 8 J x 19 ET 38

**92R - 20" AMG Multispoke Wheels (staggered)**

Requires AMG Line (DG3)

20"

R02 (All-Season Tires), R66 (MOE Tires - Extended Mobility)  
AMG Multispoke Wheels (staggered)  
255/45 R20 on 8.5 J x 20 ET 40 (Front)  
285/40 R20 on 8.5 J x 20 ET 40 (Rear)

**93R - 20" AMG Multispoke Wheels w/ Black Accents (staggered)**

Requires Night Package (DC1)

20"

R02 (All-Season Tires), R66 (MOE Tires - Extended Mobility)  
AMG Multispoke Wheels w/ Black Accents (staggered)  
255/45 R20 on 8.5 J x 20 ET 40 (Front)  
285/40 R20 on 8.5 J x 20 ET 40 (Rear)

**RZX - 20" AMG Y 5-Spoke Wheels (staggered)**

Requires AMG Line (DG3)

20"

R02 (All-Season Tires), R66 (MOE Tires - Extended Mobility)  
AMG Y 5-Spoke Wheels (staggered)  
255/45 R20 on 8.5 J x 20 ET 40 (Front)  
285/40 R20 on 8.5 J x 20 ET 40 (Rear)

<i>Code</i>	<i>Wheel Size</i>	<i>Description</i>	<i>Wheel Dimensions</i>	<i>Mobility</i>	<i>Availability</i>	<i>MSRP</i>
48R	19"	5-Spoke Wheels	235/55 R19 on 8 J x 19 ET 38	R02 (All-Season Tires), R66 (MOE Tires - Extended Mobility)	All Models	\$0
92R	20"	AMG Multispoke Wheels (staggered) Requires AMG Line (DG3)	255/45 R20 on 8.5 J x 20 ET 40 (Front) 285/40 R20 on 8.5 J x 20 ET 40 (Rear)	R02 (All-Season Tires), R66 (MOE Tires - Extended Mobility)	All Models	\$0
93R	20"	AMG Multispoke Wheels w/ Black Accents (staggered) Requires Night Package (DC1)	255/45 R20 on 8.5 J x 20 ET 40 (Front) 285/40 R20 on 8.5 J x 20 ET 40 (Rear)	R02 (All-Season Tires), R66 (MOE Tires - Extended Mobility)	All Models	\$0
RZX	20"	AMG Y 5-Spoke Wheels (staggered) Requires AMG Line (DG3)	255/45 R20 on 8.5 J x 20 ET 40 (Front) 285/40 R20 on 8.5 J x 20 ET 40 (Rear)	R02 (All-Season Tires), R66 (MOE Tires - Extended Mobility)	All Models	\$0





# Upholstery

## MB Tex



**101 - Black MB-Tex**

Not available with AMG Line (DG3)



**115 - Silk Beige/Black MB-Tex**

Not available with AMG Line (DG3)



**128 - Magma Grey MB-Tex**

Not available with AMG Line (DG3)



**161 - AMG Black MB-Tex**

Requires AMG Line (DG3)



**197 - AMG Cranberry Red/Black MB-Tex**

Requires AMG Line (DG3)



**164 - AMG Saddle Brown MB-Tex**

Requires AMG Line (DG3)

## Leather



**221 - Black Leather**

Not available with AMG Line (DG3)



**261 - AMG Black Leather**

Requires AMG Line (DG3)



**297 - AMG Cranberry Red/Black Leather**

Requires AMG Line (DG3)



**264 - AMG Saddle Brown Leather**

Requires AMG Line (DG3)

## Fabric Headliner



**51U - Black Fabric Headliner**

Available with all upholsterys. Required by AMG Line (DG3)



**55U - Porcelain Fabric Headliner**

Available with Silk Beige/Black MB-Tex (115) or Silk Beige/Black Leather (235). Not available with AMG Line (DG3)



<i>Code</i>	<i>Description</i>	<i>Availability</i>	<i>Price</i>
101	Black MB-Tex Not available with AMG Line (DG3)	All Models	\$0
115	Silk Beige/Black MB-Tex Not available with AMG Line (DG3)	All Models	\$0
128	Magma Grey MB-Tex Not available with AMG Line (DG3)	All Models	\$0
161	AMG Black MB-Tex Requires AMG Line (DG3)	All Models	\$0
197	AMG Cranberry Red/Black MB-Tex Requires AMG Line (DG3)	All Models	\$0
164	AMG Saddle Brown MB-Tex Requires AMG Line (DG3)	All Models	\$0
221	Black Leather Not available with AMG Line (DG3)	All Models	\$1,620
261	AMG Black Leather Requires AMG Line (DG3)	All Models	\$1,620
297	AMG Cranberry Red/Black Leather Requires AMG Line (DG3)	All Models	\$1,620
264	AMG Saddle Brown Leather Requires AMG Line (DG3)	All Models	\$1,620
51U	Black Fabric Headliner Available with all upholsteries. Required by AMG Line (DG3)	All Models	\$0
55U	Porcelain Fabric Headliner Available with Silk Beige/Black MB-Tex (115) or Silk Beige/Black Leather (235). Not available with AMG Line (DG3)	All Models	\$0

<i>Code</i>	<i>Upholstery</i>	<i>Seats</i>	<i>Floor Mats</i>	<i>Upper Dash/Lower Dash</i>	<i>Seat Belts</i>	<i>Steering Wheel</i>	<i>Headliner</i>
101	Black MB-Tex Not available with AMG Line (DG3)	Black	Black	Black/Black	Black	Black	Black
115	Silk Beige/Black MB-Tex Not available with AMG Line (DG3)	Silk Beige	Black	Silk Beige/Black	Silk Beige	Black	Black or Porcelain
128	Magma Grey MB-Tex Not available with AMG Line (DG3)	Magma Grey	Black	Black/Black	Black	Black	Black
161	AMG Black MB-Tex Requires AMG Line (DG3)	Black	Black	Black/Black	Black	Black	Black
197	AMG Cranberry Red/Black MB-Tex Requires AMG Line (DG3)	Black	Black	Black/Black	Black	Black	Black
164	AMG Saddle Brown MB-Tex Requires AMG Line (DG3)	Black	Black	Black/Black	Black	Black	Black
221	Black Leather Not available with AMG Line (DG3)	Black	Black	Black/Black	Black	Black	Black
261	AMG Black Leather Requires AMG Line (DG3)	Black	Black	Black/Black	Black	Black	Black
297	AMG Cranberry Red/Black Leather Requires AMG Line (DG3)	Black	Black	Black/Black	Black	Black	Black
264	AMG Saddle Brown Leather Requires AMG Line (DG3)	Black	Black	Black/Black	Black	Black	Black
51U	Black Fabric Headliner Available with all upholsteries. Required by AMG Line (DG3)						
55U	Porcelain Fabric Headliner Available with Silk Beige/Black MB-Tex (115) or Silk Beige/Black Leather (235). Not available with AMG Line (DG3)						





# Trims



**H07 - Dark Brown Linden Wood**

**H31 - Natural Grain Grey Oak Wood**

**H33 - Natural Grain Walnut Wood**

**737 + 739 - Natural Grain Black Ash Wood with Aluminum Door Trim**

<i>Code</i>	<i>Description</i>	<i>Availability</i>	<i>Price</i>
H07	Dark Brown Linden Wood	All Models	\$0
H31	Natural Grain Grey Oak Wood	All Models	\$0
H33	Natural Grain Walnut Wood	All Models	\$0
737 + 739	Natural Grain Black Ash Wood with Aluminum Door Trim	All Models	\$0



# Packages

<i>Code</i>	<i>Packages</i>	<i>Availability</i>	<i>MSRP</i>
DP1	<p>Premium Package</p> <p>Package is automatically standard</p> <ul style="list-style-type: none"> <li>▪ 871 - HANDS-FREE ACCESS</li> <li>▪ 536 - SiriusXM® Satellite Radio</li> <li>▪ 877+U25 - 64-Color Ambient Lighting &amp; Illuminated Door Sills</li> </ul>	All Models	\$0
DA5	<p>Multimedia Package</p> <ul style="list-style-type: none"> <li>▪ 513 - Speed Limit Assist</li> <li>▪ 365 - Mercedes-Benz Navigation</li> <li>▪ U19 - Augmented Video for Navigation</li> <li>▪ 367 - Live Traffic</li> <li>▪ 01U - Navigation Services</li> </ul>	All Models	\$1,295
DA2	<p>Driver Assistance Package</p> <p>Requires Multimedia Package (DA5)</p> <ul style="list-style-type: none"> <li>▪ 253 - PRE-SAFE® PLUS</li> <li>▪ Active Emergency Stop Assist</li> <li>▪ Route-Based Speed Adaptation</li> <li>▪ Active Speed Limit Assist</li> <li>▪ 300 - PRE-SAFE® Brake with Pedestrian Recognition</li> <li>▪ 268 - BAS PLUS with Cross-Traffic Assist</li> <li>▪ 233 - DISTRONIC PLUS with Steering Assist and Stop &amp; Go Pilot</li> <li>▪ 237 - Active Blind Spot Assist</li> <li>▪ Active Lane Change Assist</li> <li>▪ 238 - Active Lane Keeping Assist</li> <li>▪ 23P - Driver Assistance Package Plus</li> </ul>	All Models	\$1,700
DG3	<p>AMG Line</p> <ul style="list-style-type: none"> <li>▪ Flat-Bottom Multifunction Sport Steering Wheel. When ordered with P87 designo Black Nappa Leather package, flat-bottom steering wheel is replaced with round, smooth Nappa leather steering wheel.</li> <li>▪ P31 - AMG Line Exterior</li> <li>▪ DG3 Wheel - Choice of:</li> <li>▪ U26 - AMG Line Floor Mats*</li> <li>▪ 772 - AMG Line Body Styling</li> <li>▪ P29 - AMG Line Interior</li> </ul>	All Models	\$2,350
DC1	<p>Night Package</p> <p>Requires AMG Line</p> <ul style="list-style-type: none"> <li>▪ P55 - High-Gloss Black Elements: Front wing, grille lamellas, rear diffuser insert, exterior mirrors, beltline and window trim</li> <li>▪ 93R - 20" AMG Multispoke Wheels w/ Black Accents (staggered)</li> </ul>	All Models	\$400



# Options

## Factory Options

<i>Code</i>	<i>Options</i>	<i>Availability</i>	<i>MSRP</i>
U09	MB-TEX Upper Dashboard with Topstitching		\$350
U80	115V AC Outlet in Rear Replaces USB-Ports in Rear	All Models	\$115
21U	Dashcam Requires Multimedia Package (DA5)	All Models	\$200
242	Passenger Seat Memory	All Models	\$350
401	Ventilated Front Seats Requires Leather Upholstery (not w/ 297)	All Models	\$450
443	Heated Steering Wheel AMG Line (DG3) and lose Flat-bottom Steering Wheel	All Models	\$250
463	Head-Up Display	All Models	\$1,100
464	12.3" Digital Instrument Cluster	All Models	\$750
550	Trailer Hitch - Class II	All Models	\$575
640	LED Intelligent Light System	All Models	\$650
690	Emergency Spare Wheel	All Models	\$200
77B	MBUX Interior Assistant	All Models	\$200
810	Burmester® Surround Sound System Recommended	All Models	\$850
846	Brushed Aluminum Running Boards	All Models	\$650
851	Heat and Noise Insulating Front-Side Glass	All Models	\$150
872	Heated Rear Seats	All Models	\$580
897	Inductive Wireless Charging & NFC Pairing	All Models	\$200





## VPC Installed Options

<i>Code</i>	<i>Options</i>	<i>Availability</i>	<i>MSRP</i>
D03	Illuminated Star Not available with Driver Assistance Package (DA2)	All Models	\$400
D07	Wheel Locking Bolts	All Models	\$150
D08	Door Handle Inserts, Chrome		\$100
D10	Rear Spoiler, Body Color	All Models	\$350
D16	LED Logo Projectors	All Models	\$275
D18	Front Trim, Chrome Not available with AMG Line (DG3)	All Models	\$250
D19	Rear Trim, Chrome	All Models	\$200
D21	Rear Spoiler, Black Not available with Rear Spoiler, Body Color (D10), Black (040) or Obsidian Black (197) paints	All Models	\$350
D43	All-Season Floor Mats, Black Rubber (Pack of 4)	All Models	\$160



# Specifications

GLC300C4



## Drivetrain

Transmission	9G-TRONIC
Transmission Speeds	9
Drive Configuration	All-Wheel Drive

## Engine

Engine Configuration	2.0L inline-4 turbo engine
Power (hp)	255
Torque (lb-ft)	273
Fuel Requirement (Octane)	91
Compression	10.5 : 1
Fuel Tank Size (gallons)	17.4
# Valves per Cylinder	4
Displacement (cc)	1,991

## Performance

Acceleration 0-60 mph (sec)	6.2
Top Speed (mph)	130

## Fuel Economy

Fuel Economy	TBD
--------------	-----

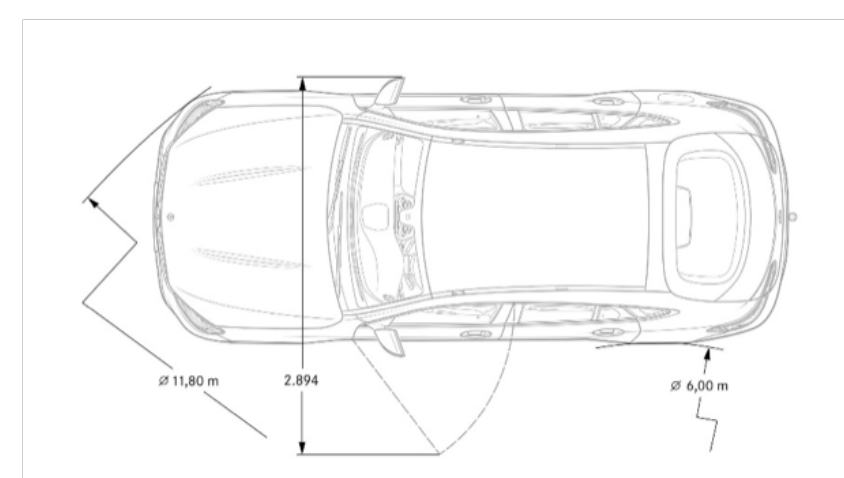
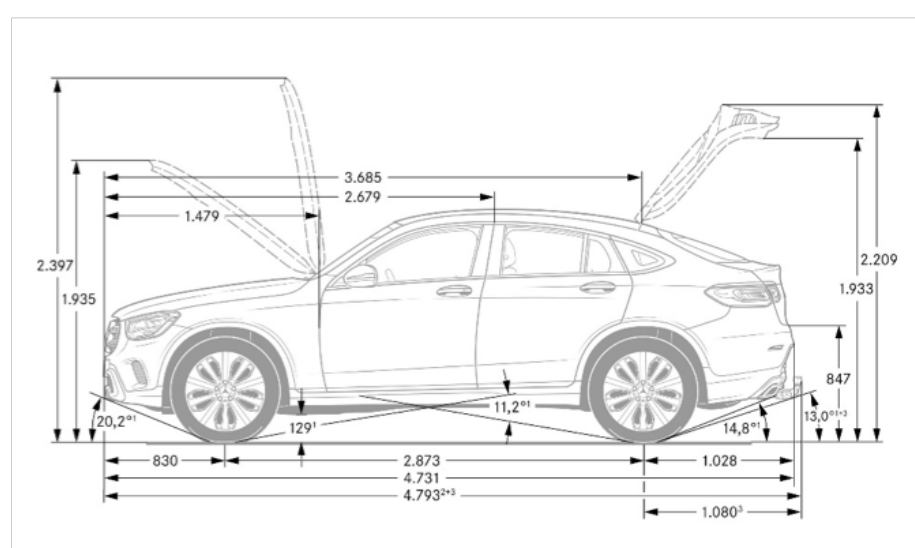
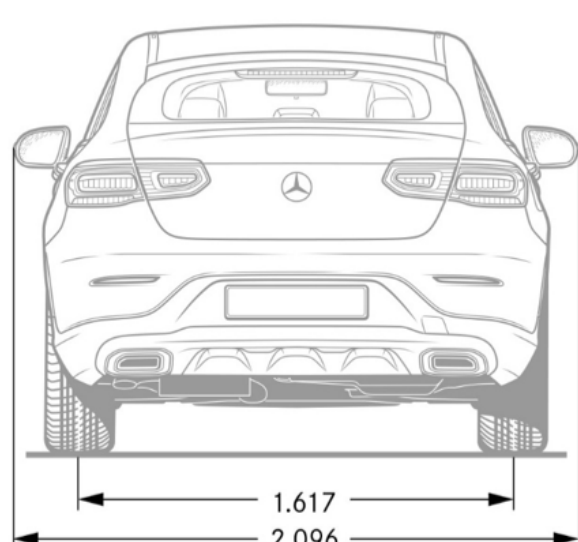
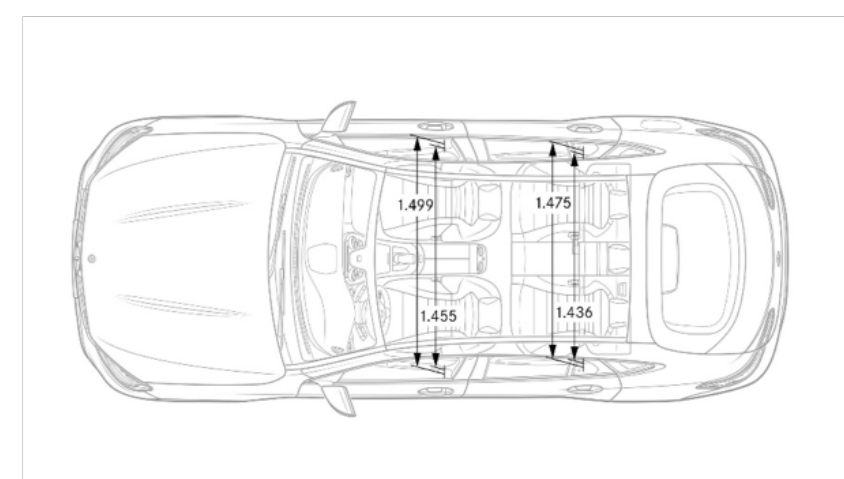
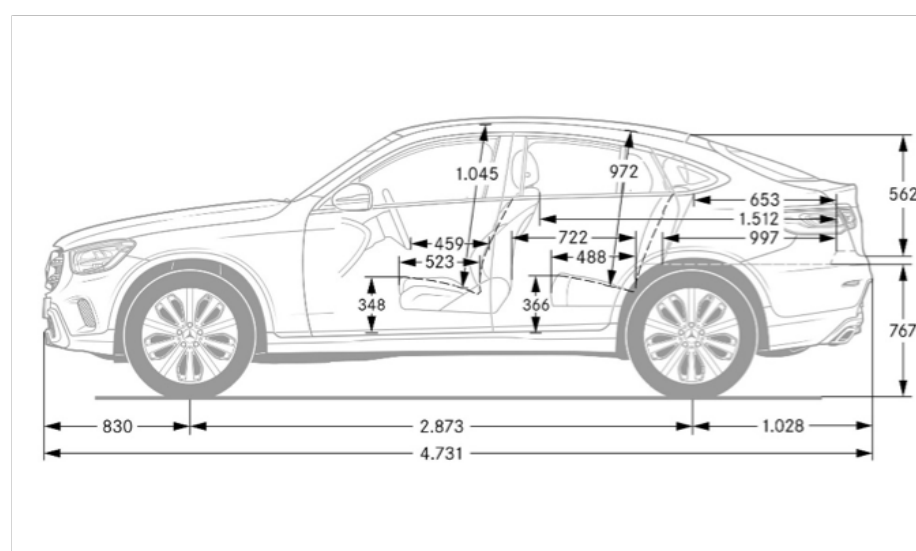
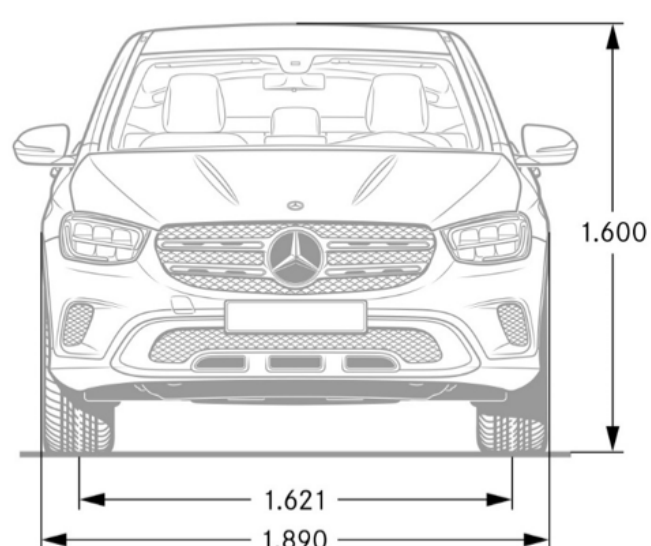
## Exterior Dimensions

Vehicle Length (in.)	183.3
Vehicle Width w/ Mirrors (in.)	74.4
Vehicle Height (in.)	64.5
Wheelbase (in.)	113.1
Coefficient of Drag (cd)	0.33
Track Width Front/Rear (in.)	63.9/63.7
Curb Weight (lbs)	TBD

## Wheels and Tires

## Interior Dimensions

Trunk Size (cubic feet)	49.4
-------------------------	------





## Mercedes-Benz User Experience (MBUX)

**MBUX - the newest head-unit generation from Mercedes-Benz. Standard**

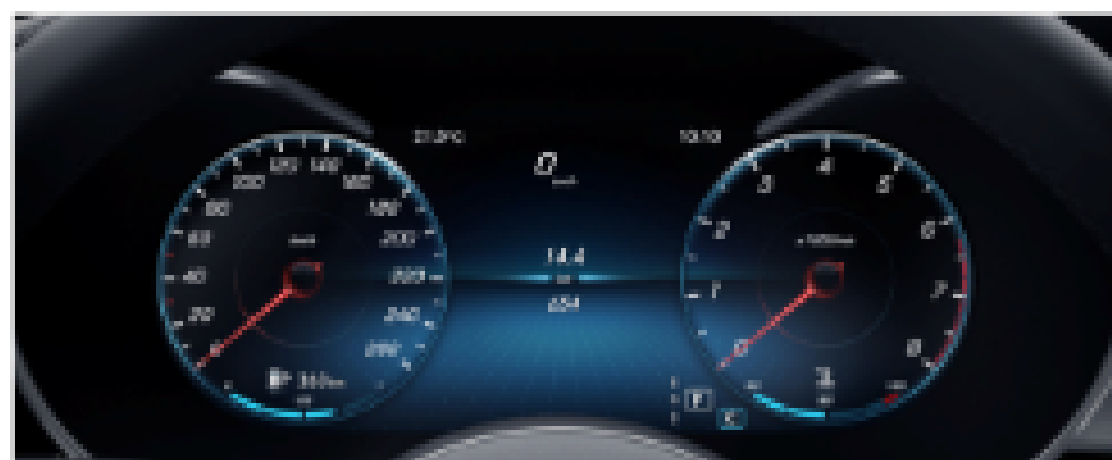
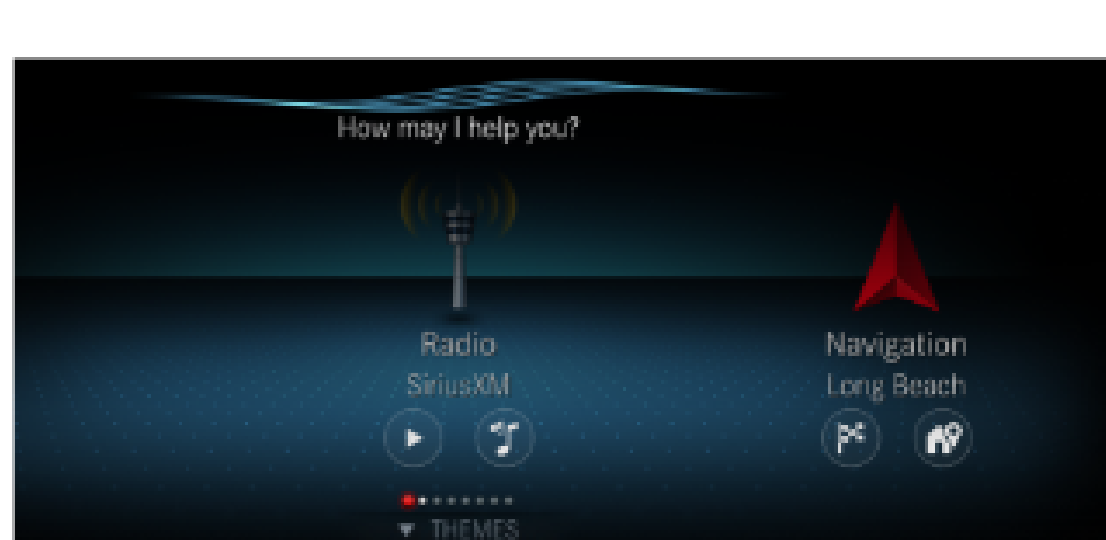
- MBUX was designed for a touch interface with intuitive operation
- There are four ways of interacting with the system:
  - An all-new Touchpad, Touch Control Buttons on the steering wheel, a touchscreen center display, and an all-new generation of Voice Control
- Multiple users can set up profiles which save their settings for future use
  - Including: seat settings, music preferences and radio settings, phone settings, themes/moods, Bluetooth connections, etc.
- Over time, the system learns more about its owners and creates suggestions based on past behavior of the user
- Whole groups of settings can be saved together in the form of a Theme/Mood
  - Including: ambient lighting, climate control, music preferences, and setup of the Digital Instrument Cluster and head unit display, etc.
- Using over-the-air updates, MBUX can continuously be improved over time
- The system is very quick and responsive due to its impressive graphics processing and computing power



## Voice Control

**One of the most advanced Voice Control systems in the industry. Standard**

- Voice Control with MBUX is greatly enhanced over other systems by using both an onboard and offboard system for voice recognition
  - This ensures quick and appropriate responses
- The system also uses Natural Language Understanding so there's no need to remember the order of words for a specific command, just talk to the voice assistant as you would speak to another person
  - There are many ways of saying the same thing: "Take me to Starbucks", or "Find a Starbucks nearby", or "Is there a Starbucks close?", or even "I need a coffee"
- Indirect commands can also be given like "Will I need an umbrella today?" and the Voice Control system understands that the user is really asking whether it will rain today
- In-vehicle components can also be controlled via Voice Control, like seat heating, climate control, ambient lighting, massage programs, and even the sunshade for the Panorama roof
- Voice Control is also capable of learning from its users and adjusting its understanding to their specific way of speaking
- Keyword Activation ensures you can quickly interact with Voice Control without having to press the button on the steering wheel
  - The system wakes up with a simple "Hey Mercedes"
- NOTE: You can deactivate Keyword Activation if you wish. This can be done in the settings under "LINGUATRONIC." If Keyword Activation is not selected, simply activate Voice Control via the steering wheel button.



## Digital Instrument Cluster (464)

**Option price: \$750**

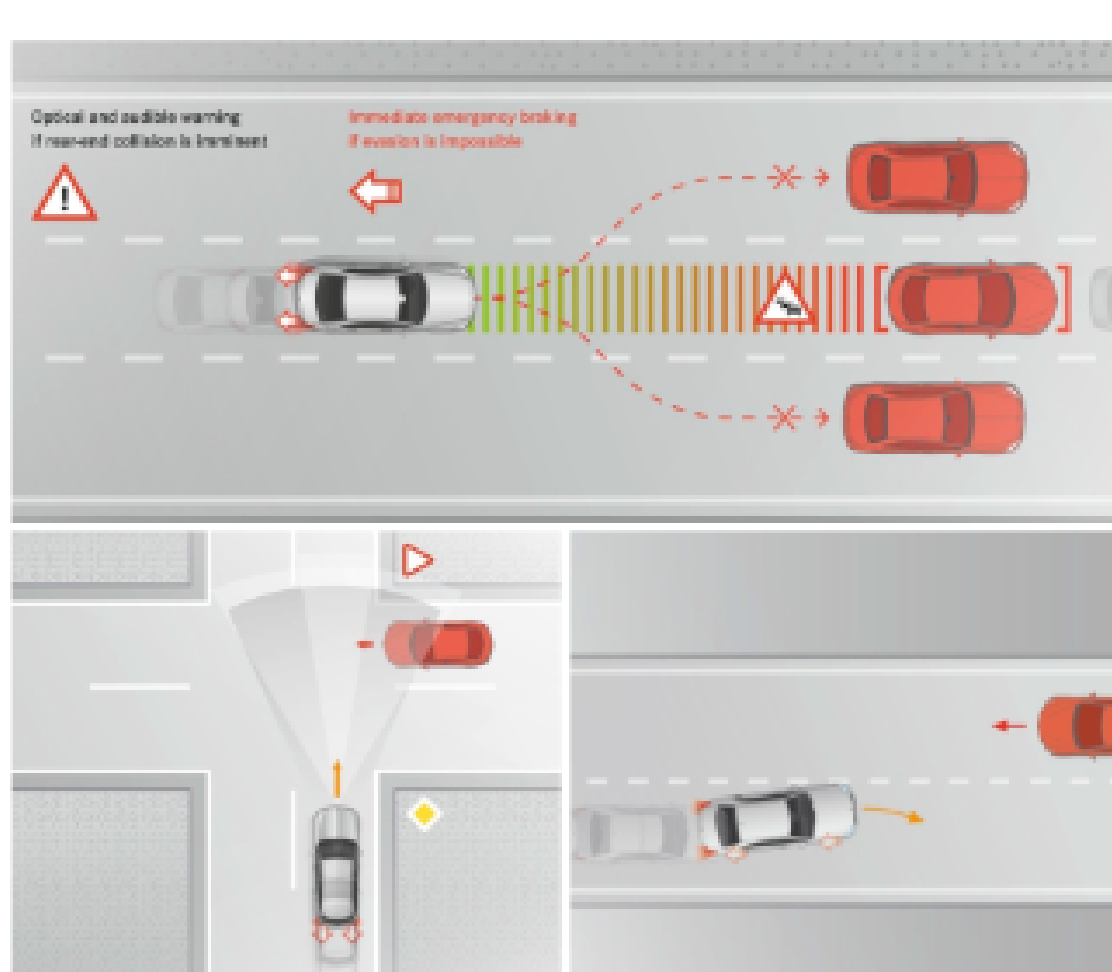
The GLC offers the option to have a high-resolution 12.3" digital instrument cluster with three different modes: Classic, Sport, and Progressive. Unlike many other models with this option, the GLC integrates the digital instrument cluster within the dash so the geometry of the dash is the same as without the option. The three separate modes allow the driver to customize the digital instrument cluster to his/her liking. Additionally, with the added digital space, there is greater functionality for navigation, multimedia, and other information within the digital instrument cluster itself.

- Pictured Top:** "Classic" design
- Pictured Middle:** "Sport" design
- Pictured Bottom:** "Progressive" design

## Driver Assistance Package (DA2)

**Option price: \$1,700**

- **Active Distance Assist DISTRONIC®** is able to follow a vehicle in front at a pre-selected distance at wider range of speeds
- **Active Steering Assist** functions at a wider range of speeds and can now actively intervene even if road lines are unclear or non-existent at certain speeds; can now function in curves with a tighter radius
- **Active Emergency Stop Assist** brakes the vehicle to a standstill in its lane if it detects that the driver is no longer actively driving the vehicle while it is on the move with Active Distance Assist DISTRONIC and Active Steering Assist engaged. Can now unlock the doors when the vehicle is stationary to allow first aid responders immediate access to the vehicle's interior. The system simultaneously makes an emergency call
- **Active Lane Change Assist** is a radar-and-camera-based system that aids the driver when changing lanes. When a turn is indicated, this feature will aid with steering into the adjacent lane if it detects the lane is empty
- **Active Speed Limit Assist** can adapt vehicle speed to identified speed limits and can now adjust preemptively when speed limits are going to change
- **Route-Based Speed Adaptation** the vehicle is now able to reduce the speed in anticipatory mode by referencing the COMAND map data ahead of bends, junctions, roundabouts, toll booths and exit roads.
- **Active Brake Assist with Cross-Traffic Function**
- **Evasive Steering Assist** this system assists by adding calculated steering torque to aid in steering wheel movement when a driver deliberately or instinctively performs an evasive maneuver around a pedestrian
- **Active Blind Spot Assist** is active at a wider range of speeds and informs the driver to help avoid an imminent side impact by single-sided braking
- **Active Lane Keeping Assist** is active now at a wider range of speeds



## Inductive Wireless Charging and NFC Pairing (897)

**Option price: \$200**

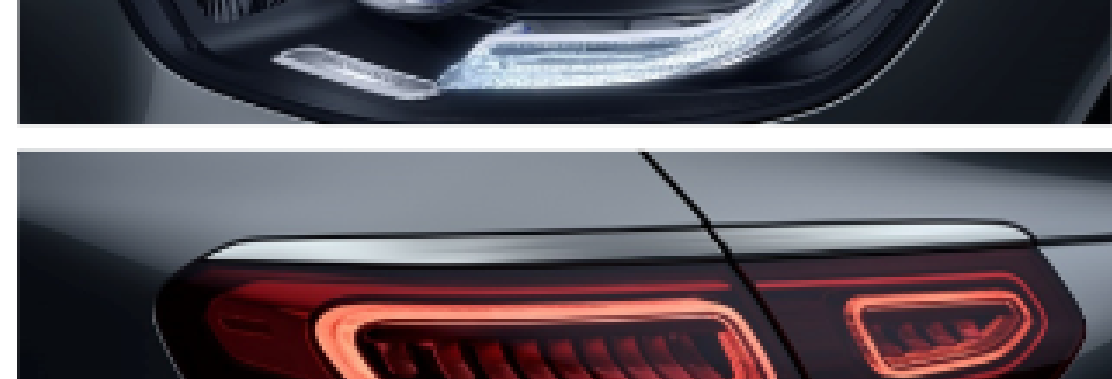
Driving time becomes charging time - with just a simple hand movement your smartphone can be fixed in place in the center console where it is charged wirelessly. Irrespective of the model and brand, all smartphones meeting the Qi standard are charged wirelessly.

Components:

- Wireless charging for numerous mobile phones that support or can be upgraded to support the Qi standard
- Quick establishment of connection between the multimedia system and mobile phone via Near Field Communication (NFC) for mobile device identification
- Charging area in the front tray in the center console for mobile devices



## Headlamps



## LED headlamps (632)

**Standard**

- All functions feature LED technology
- Integrated LED daytime running lamps with fiber-optics
- Projector LED low beam and reflective LED high beam technology
- Full LED tail lamps with fiber-optics

## Active LED Headlamps (640)

All functions of the LED Headlamps plus:

- Active light function for better illumination in curves
- Dual low/high beam LED projection modules
- Upgraded look

## Headlamp Comparison

Starting MY2020, the headlamp design has been enhanced. Standard are the high-performance LED headlamps with a distinct multi-LED look. With the LED Intelligent Light System, the upgraded headlamps offer Active Curve Illumination for enhanced safety.

# Gallery

