



Table of Contents

1	General Information
2	What's New
3	Models
4	Equipment
4.1	Standard Equipment
4.2	Exterior Paint Colors
4.3	Wheels
4.4	Interior Upholstery
4.6	Interior Trims
4.7	Packages
4.8	Options
4.9	Specifications
5	Options In Detail
6	Gallery



General Information

Important Note

The information presented in this guide is based on the most current information available and is intended for internal use only. Mercedes-Benz reserves the right to make changes at any time, without notice, to colors, materials, equipment, special specifications and models.

Pricing may not yet be finalized for some models or options.

Due to variances among monitors and printers the colors that appear on your screen and printouts may not be exact.

For illustrative purposes, some images may show vehicles with European Specification.

Revision History

Date	Description
10/06/2023	AMG : Stand Alone option (401) Climatized Seats is currently delayed until March production.
08/03/2023	Initial publication of GLC43 SUV order guide
05/01/2023	MB-TeX Dashboard with Nappa Look (U34) required content for all builds until end of 2023.
05/01/2023	Enhanced Ambient Lighting (894) not available for ordering from May until December 2023. This will be replaced with Standard Ambient Light (891).
04/18/2023	Initial publication.



What's New

GLC300W



Paints

- MANUFAKTUR Moonlight White Metallic
- MANUFAKTUR Patagonia Red Metallic
- MANUFAKTUR Graphite Grey Magno

Standard Equipment

- SiriusXM Satellite Radio

GLC300W4



Paints

- MANUFAKTUR Patagonia Red Metallic
- MANUFAKTUR Moonlight White Metallic
- MANUFAKTUR Graphite Grey Magno

Standard Equipment

- SiriusXM Satellite Radio



Models



GLC300W (254.646)

- MSRP: \$47,450
- Transmission: 9G-TRONIC
- Transmission Speeds: 9
- Acceleration: 6.2
- Engine Configuration: 2.0L Inline-4 Turbo w/ 48V Mild Hybrid System
- Power (hp): 255 hp (ICE), 23 hp (ISG)
- Torque (lb-ft): 295 lb-ft (ICE), 148 lb-ft (ISG)
- Launch Date: Late 2023



GLC300W4 (254.647)

- MSRP: \$49,450
- Transmission: 9G-TRONIC
- Transmission Speeds: 9
- Acceleration: 6.2
- Engine Configuration: 2.0L Inline-4 Turbo w/ 48V Mild Hybrid System
- Power (hp): 255 hp (ICE), 23 hp (ISG)
- Torque (lb-ft): 295 lb-ft (ICE), 148 lb-ft (ISG)
- Launch Date: Late 2023



Standard Equipment

GLC300W



Performance & Handling

- 2.0L Inline-4 Turbo Engine with 48V Mild-Hybrid
- Rear Wheel Drive
- DYNAMIC SELECT
- 9G-TRONIC 9-Speed Automatic Transmission
- ECO Start/Stop System
- Independent Front/Rear Suspension

Comfort & Convenience

- 355 MBUX Intelligent Vehicle Assistant (“Hey Mercedes”)
- 464 12.3" Digital Instrument Cluster
- 275 16-Way Power Front Seats with Memory, Lumbar, and Thigh extension
- 889 KEYLESS-GO
- Bluetooth® Technology (for Handsfree Phone Use/Audio Streaming)
- 580 Dual-Zone Automatic Climate Control
- 428 Steering Wheel Shift Paddles
- 517 HD Radio
- 440 Electronic Cruise Control
- 30P Storage Package
- 345 Rain Sensing Wipers
- 287 Split-Folding Rear Seats (40/20/40)
- 17U Wireless Android Auto
- 321 Fingerprint Scanner
- 587 Mirror Logo Projector
- 868 11.9" Center Touchscreen Display
- 873 Heated Front Seats
- 893 KEYLESS-START
- 890 Power Liftgate
- 75B Three USB-C Ports
- L3E Multifunction leather steering wheel w/ Capacitive Buttons
- Power Tilt & Telescoping Steering Column
- Frontbass® Audio System
- Power Windows with Express Up and Down
- 232 Garage Door Opener
- 249 Auto-Dimming Rearview Mirror
- 16U Wireless AppleCarplay
- 891 Ambient Lighting
- 897 Inductive Wireless Charging
- 536 SiriusXM Satellite Radio

Safety & Security

- New Vehicle 4 Year/50,000 Mile Warranty
- Blind Spot Assist (234)
- PRE-SAFE® now w/ PRE-SAFE Sound
- 3-point Seat Belt with Pretensioners & Dual-Stage Belt Force Limiter
- Front and Rear Side Window Airbags
- Driver Kneebag
- ISOFIX Anchor and Tether System
- Tire Pressure Monitoring System
- Adaptive Highbeam Assist
- 24h Roadside Assistance Program
- LED Headlamps and Taillamps
- Active Brake Assist
- Front Dual-Stage Airbags
- Front Side Airbags
- Rearview Camera
- ATTENTION ASSIST Driver Drowsiness Monitor
- PARKTRONIC w/ Active Parking Assist
- GUARD 360 Monitoring



Performance & Handling

- 2.0L Inline-4 Turbo Engine with 48V Mild-Hybrid
- 4MATIC® Permanent All-Wheel Drive
- DYNAMIC SELECT
- 9G-TRONIC 9-Speed Automatic Transmission
- ECO Start/Stop System
- Independent Front/Rear Suspension

Comfort & Convenience

- 355 MBUX Intelligent Vehicle Assistant (“Hey Mercedes”)
- 464 12.3" Digital Instrument Cluster
- 275 16-Way Power Front Seats with Memory, Lumbar, and Thigh extension
- 889 KEYLESS-GO
- Bluetooth® Technology (for Handsfree Phone Use/Audio Streaming)
- 580 Dual-Zone Automatic Climate Control
- 428 Steering Wheel Shift Paddles
- 517 HD Radio
- 440 Electronic Cruise Control
- 30P Storage Package
- 345 Rain Sensing Wipers
- 287 Split-Folding Rear Seats (40/20/40)
- 16U Wireless AppleCarplay
- 891 Ambient Lighting
- 897 Inductive Wireless Charging
- 536 SiriusXM Satellite Radio
- 868 11.9" Center Touchscreen Display
- 873 Heated Front Seats
- 893 KEYLESS-START
- 890 Power Liftgate
- 75B Three USB-C Ports
- L3E Multifunction leather steering wheel w/ Capacitive Buttons
- Power Tilt & Telescoping Steering Column
- Frontbass® Audio System
- Power Windows with Express Up and Down
- 232 Garage Door Opener
- 249 Auto-Dimming Rearview Mirror
- USB-C Adapter Cable
- 17U Wireless Android Auto
- 321 Fingerprint Scanner
- 587 Mirror Logo Projector

Safety & Security

- New Vehicle 4 Year/50,000 Mile Warranty
- Blind Spot Assist (234)
- PRE-SAFE® now w/ PRE-SAFE Sound
- 3-point Seat Belt with Pretensioners & Dual-Stage Belt Force Limiter
- Front and Rear Side Window Airbags
- Driver Kneebag
- ISOFIX Anchor and Tether System
- Tire Pressure Monitoring System
- Adaptive Highbeam Assist
- 24h Roadside Assistance Program
- LED Headlamps and Taillamps
- Active Brake Assist
- Front Dual-Stage Airbags
- Front Side Airbags
- Rearview Camera
- ATTENTION ASSIST Driver Drowsiness Monitor
- PARKTRONIC w/ Active Parking Assist
- GUARD 360 Monitoring



Paint

Non-Metallic Paints



040 - Black



149 - Polar White

Metallic Paints



197 - Obsidian Black Metallic



859 - Mojave Silver Metallic



595 - Nautical Blue Metallic



970 - Starling Blue Metallic



922 - Cirrus Silver Metallic



831 - Graphite Grey Metallic

MANUFAKTUR Paints



993 - MANUFAKTUR Patagonia Red Metallic



885 - MANUFAKTUR Moonlight White Metallic



818 - MANUFAKTUR Graphite Grey Magno

Code	Description	Availability	Price
040	Black	All Models	\$0
149	Polar White	All Models	\$0
197	Obsidian Black Metallic	All Models	\$750
859	Mojave Silver Metallic	All Models	\$750
595	Nautical Blue Metallic	All Models	\$750
970	Starling Blue Metallic	All Models	\$750
922	Cirrus Silver Metallic	All Models	\$750
831	Graphite Grey Metallic	All Models	\$750
993 (New)	MANUFAKTUR Patagonia Red Metallic	All Models	\$1,750
885 (New)	MANUFAKTUR Moonlight White Metallic	All Models	\$1,750
818 (New)	MANUFAKTUR Graphite Grey Magno	All Models	



Wheels



R41 - 18" 10 Spoke Wheels

18"
R02, 690 (Minispare)
10-Spoke Wheels
235/60 R18 on 8 J x 18 ET 32.5



R38 - 18" 5-Twin Spoke Wheels

18"
R02, 690 (Minispare)
5-Twin Spoke Wheels
235/60 R18 on 8 J x 18 ET 32.5



78R - 19" Multispoke Wheels

19"
R02, 690 (Minispare)
Multispoke Wheels
235/55 R19 on 8 J x 19 ET 32.5



R39 - 19" Aero 5-Spoke Wheels

19"
R02, 690 (Minispare)
Aero 5-Spoke Wheels
235/55 R19 on 8 J x 19 ET 32.5



R42 - 20" Multispoke Wheels

20"
R01, 690 (Minispare)
Multispoke Wheels
255/45 R20 on 8.5 J x 20 ET 34.5



RRE - AMG 19" 5-Spoke Wheels w/ Black Accents

Requires AMG Line (DG3)
19"
R02, 690 (Minispare)
AMG 5-Spoke Wheels with Black Accents
235/55 R19 on 8 J x 19 ET 32.5 (Front)
255/50 R19 on 9 J x 19 ET 30 (Rear)



RRN - AMG 20" 5-Spoke Wheels, w/ Black Accents

Requires AMG Line (DG3)
20"
R01, 690 (Minispare)
AMG 5-Spoke Wheels with Black Accents
255/45 R20 on 8.5 J x 20 ET 34.5 (Front)
285/40 R20 on 9.5 J x 20 ET 35.5 (Rear)



RVO - AMG 20" Multispoke Wheels, w/ Black Accents

Requires AMG Line (DG3)
20"
R01, 690 (Minispare)
AMG Multispoke Wheels with Black Accents
255/45 R20 on 8.5 J x 20 ET 34.5 (Front)
285/40 R20 on 9.5 J x 20 ET 35.5 (Rear)



RVP - AMG 20" Multispoke Wheels Black

Requires AMG Line (DG3)
20"
R01, 690 (Minispare)
AMG Multispoke Wheels Black
255/45 R20 on 8.5 J x 20 ET 34.5 (Front)
285/40 R20 on 9.5 J x 20 ET 35.5 (Rear)

Code	Wheel Size	Description	Wheel Dimensions	Mobility	Availability	MSRP
R41	18"	10-Spoke Wheels	235/60 R18 on 8 J x 18 ET 32.5	R02, 690 (Minispare)	All Models	\$0
R38	18"	5-Twin Spoke Wheels	235/60 R18 on 8 J x 18 ET 32.5	R02, 690 (Minispare)	All Models	\$0
78R	19"	Multispoke Wheels	235/55 R19 on 8 J x 19 ET 32.5	R02, 690 (Minispare)	All Models	\$600
R39	19"	Aero 5-Spoke Wheels	235/55 R19 on 8 J x 19 ET 32.5	R02, 690 (Minispare)	All Models	\$600
R42	20"	Multispoke Wheels	255/45 R20 on 8.5 J x 20 ET 34.5	R01, 690 (Minispare)	All Models	\$850
RRE	19"	AMG 5-Spoke Wheels with Black Accents Requires AMG Line (DG3)	235/55 R19 on 8 J x 19 ET 32.5 (Front) 255/50 R19 on 9 J x 19 ET 30 (Rear)	R02, 690 (Minispare)	All Models	\$0
RRN	20"	AMG 5-Spoke Wheels with Black Accents Requires AMG Line (DG3)	255/45 R20 on 8.5 J x 20 ET 34.5 (Front) 285/40 R20 on 9.5 J x 20 ET 35.5 (Rear)	R01, 690 (Minispare)	All Models	\$850
RVO	20"	AMG Multispoke Wheels with Black Accents Requires AMG Line (DG3)	255/45 R20 on 8.5 J x 20 ET 34.5 (Front) 285/40 R20 on 9.5 J x 20 ET 35.5 (Rear)	R01, 690 (Minispare)	All Models	\$850
RVP	20"	AMG Multispoke Wheels Black Requires AMG Line (DG3)	255/45 R20 on 8.5 J x 20 ET 34.5 (Front) 285/40 R20 on 9.5 J x 20 ET 35.5 (Rear)	R01, 690 (Minispare)	All Models	\$850



Upholstery

MB Tex



101 - Black MB-Tex

Not available with AMG Line (DG3)



105 - Macchiato Beige MB-Tex

Not available with AMG Line (DG3)



104 - Sienna Brown MB-Tex

Not available with AMG Line (DG3)



111 - AMG Black MB-Tex

Requires AMG Line (DG3)



194 - AMG Sienna Brown/Black MB-Tex

Requires AMG Line (DG3). Not available in combination with Starling Blue Metallic (970) or MANUFAKTUR Patagonia Red Metallic (993)



118 - AMG Neva Grey MB-Tex

Requires AMG Line (DG3)

Leather



201 - Black Leather

Not available with AMG Line (DG3)



205 - Macchiato Beige Leather

Not available with AMG Line (DG3)



211 - AMG Black Leather

Requires AMG Line (DG3)



294 - AMG Sienna Brown/Black Leather

Requires AMG Line (DG3). Not available in combination with Starling Blue Metallic (970) or MANUFAKTUR Patagonia Red Metallic (993)



297 - AMG Power Red/Black Leather

Requires AMG Line (DG3)

Nappa Leather



801 - Black Nappa Leather



804 - Sienna Brown Nappa Leather

Not available in combination with Starling Blue Metallic (970) or MANUFAKTUR Patagonia Red Metallic (993)

Fabric Headliners



51U - Black Fabric Headliner

Available with all upholsterys
Required by AMG Line (DG3)



58U - Crystal Grey Fabric Headliner

Available with Black MB-Tex (101), Black Leather (201). Not available with AMG Line (DG3)

<i>Code</i>	<i>Description</i>	<i>Availability</i>	<i>Price</i>
101	Black MB-TeX Not available with AMG Line (DG3)	All Models	\$0
105	Macchiato Beige MB-TeX Not available with AMG Line (DG3)	All Models	\$0
104	Sienna Brown MB-TeX Not available with AMG Line (DG3)	All Models	\$0
111	AMG Black MB-TeX Requires AMG Line (DG3)	All Models	\$0
194	AMG Sienna Brown/Black MB-TeX Requires AMG Line (DG3). Not available in combination with Starling Blue Metallic (970) or MANUFAKTUR Patagonia Red Metallic (993)	All Models	\$0
118	AMG Neva Grey MB-TeX Requires AMG Line (DG3)	All Models	\$0
201	Black Leather Not available with AMG Line (DG3)	All Models	\$1,620
205	Macchiato Beige Leather Not available with AMG Line (DG3)	All Models	\$1,620
211	AMG Black Leather Requires AMG Line (DG3)	All Models	\$1,620
294	AMG Sienna Brown/Black Leather Requires AMG Line (DG3). Not available in combination with Starling Blue Metallic (970) or MANUFAKTUR Patagonia Red Metallic (993)	All Models	\$1,620
297	AMG Power Red/Black Leather Requires AMG Line (DG3)	All Models	\$1,620
801	Black Nappa Leather	All Models	\$2,590
804	Sienna Brown Nappa Leather Not available in combination with Starling Blue Metallic (970) or MANUFAKTUR Patagonia Red Metallic (993)	All Models	\$2,590
51U	Black Fabric Headliner	All Models	\$0
58U	Crystal Grey Fabric Headliner	All Models	\$0

<i>Code</i>	<i>Upholstery</i>	<i>Seats</i>	<i>Floor Mats</i>	<i>Upper Dash/Lower Dash</i>	<i>Seat Belts</i>	<i>Steering Wheel</i>	<i>Headliner</i>
101	Black MB-TeX Not available with AMG Line (DG3)	Black	Black	Black	Black	Black	Black or Crystal Grey
105	Macchiato Beige MB-TeX Not available with AMG Line (DG3)	Macchiato Beige	Black	Black/Macchiato Beige	Black	Black	Black
104	Sienna Brown MB-TeX Not available with AMG Line (DG3)	Sienna Brown	Black	Black	Black	Black	Black
111	AMG Black MB-TeX Requires AMG Line (DG3)	Black	Black	Black	Black	Black	Black
194	AMG Sienna Brown/Black MB-TeX Requires AMG Line (DG3). Not available in combination with Starling Blue Metallic (970) or MANUFAKTUR Patagonia Red Metallic (993)	Sienna Brown/Black	Black	Black	Black	Black	Black
118	AMG Neva Grey MB-TeX Requires AMG Line (DG3)	Neva Grey	Black	Black	Black	Black	Black
201	Black Leather Not available with AMG Line (DG3)	Black	Black	Black	Black	Black	Black or Crystal Grey
205	Macchiato Beige Leather Not available with AMG Line (DG3)	Macchiato Beige	Black	Black/Macchiato Beige	Black	Black	Black or Crystal Grey
211	AMG Black Leather Requires AMG Line (DG3)	Black	Black	Black	Black	Black	Black
294	AMG Sienna Brown/Black Leather Requires AMG Line (DG3). Not available in combination with Starling Blue Metallic (970) or MANUFAKTUR Patagonia Red Metallic (993)	Sienna Brown/Black	Black	Black	Black	Black	Black
297	AMG Power Red/Black Leather Requires AMG Line (DG3)	Power Red/Black	Black	Black	Black	Black	Black
801	Black Nappa Leather	Black	Black	Black	Black	Black	Black
804	Sienna Brown Nappa Leather Not available in combination with Starling Blue Metallic (970) or MANUFAKTUR Patagonia Red Metallic (993)	Sienna Brown	Black	Black	Black	Black	Black
51U	Black Fabric Headliner						
58U	Crystal Grey Fabric Headliner						



Trims



H03 - Glossy Brown Ash Wood

Only with Piano Black Lacquer Center Console (757)



H04 - Natural Grain Black Wood w/ Aluminum Lines

Only with Metal Weave Center Console (795) or Piano Black Lacquer Center Console (757)



H33 - Natural Grain Walnut Wood

Only with Piano Black Lacquer Center Console (757)



H08 - Fineline Anthracite Wood

Only with Metal Weave Center Console (795) or Piano Black Lacquer Center Console (757)



H50 - Silver Diamond Pattern

Only with Silver Diamond Pattern Center Console (794)



H64 - Metal Weave

Only with Metal Weave Center Console (795)



757 - Piano Black Lacquer Center Console



794 - Silver Diamond Pattern Center Console



795 - Metal Weave Center Console

<i>Code</i>	<i>Description</i>	<i>Availability</i>	<i>Price</i>
H03	Glossy Brown Ash Wood Only with Piano Black Lacquer Center Console (757)	All Models	\$0
H04	Natural Grain Black Wood w/ Aluminum Lines Only with Metal Weave Center Console (795) or Piano Black Lacquer Center Console (757)	All Models	\$200
H33	Natural Grain Walnut Wood Only with Piano Black Lacquer Center Console (757)	All Models	\$0
H08	Fineline Anthracite Wood Only with Metal Weave Center Console (795) or Piano Black Lacquer Center Console (757)	All Models	\$0
H50	Silver Diamond Pattern Only with Silver Diamond Pattern Center Console (794)	All Models	\$0
H64	Metal Weave Only with Metal Weave Center Console (795)	All Models	\$0
757	Piano Black Lacquer Center Console	All Models	\$0
794	Silver Diamond Pattern Center Console	All Models	\$0
795	Metal Weave Center Console	All Models	\$0



Packages

<i>Code</i>	<i>Packages</i>	<i>Availability</i>	<i>MSRP</i>
DX1 (New)	Exclusive Trim <ul style="list-style-type: none"> ▪ P47 - Surround View System ▪ P82 - GUARD 360 w/ Picture Taking Functionality ▪ PBG - MB Navigation ▪ 810 - Burmester 3D Surround Sound System (incl. 22U Music Streaming & 32U Sound Personalization) ▪ U25 - Illuminated Door Sills 	All Models	TBD
DX2 (New)	Pinnacle Trim Includes DX1 content <ul style="list-style-type: none"> ▪ U19 - Augmented Video for Navigation ▪ 444 - Head-Up Display ▪ PAX - DIGITAL LIGHT with Projections ▪ 851 - Heat & Noise insulating glass 	All Models	TBD
DA2 (New)	Driver Assistance Package For Premium Trim (DX0), requires MB Navigation (PBG) <ul style="list-style-type: none"> ▪ PRE-SAFE® IMPULSE SIDE ▪ 253 - PRE-SAFE® PLUS ▪ Route-Based Speed Adaptation ▪ 233 - DISTRONIC PLUS with Steering Assist and Stop & Go Assist ▪ Active Speed Limit Assist ▪ P20 - Driver Assistance Package Plus ▪ Active Lane Change Assist 	All Models	\$1,950
DG3	AMG Line <ul style="list-style-type: none"> ▪ P29 - AMG Line Interior ▪ U29 - Perforated Brake Discs with Mercedes-Benz Lettered Calipers ▪ DG3 Wheel - Choice of: <ul style="list-style-type: none"> ○ RVP - 20" AMG Multispoke Wheels Black (+\$850) ○ RRM - 20" AMG 5-Spoke Wheels (+\$850) ○ RRE - 19" AMG 5-Spoke Wheels with Black Accents (+\$0) ○ RVO - 20" AMG Multispoke Wheels with Black Accents (+\$850) ○ RRR - 20" AMG 5-Spoke Wheels with Black Accents (+\$850) ▪ U26 - AMG Line Floor Mats ▪ 772 - AMG Line Body Styling ▪ U34 - MB-Tex instrument panel and beltlines in black nappa look ▪ 319 - Wheel arch trim painted in body color ▪ P31 - AMG Line Exterior ▪ L5C - Flat-Bottom Multifunction Sport Steering Wheel 	All Models	\$3,450
DC1	Night Package Requires AMG Line <ul style="list-style-type: none"> ▪ P55 - High-Gloss Black Elements: Front wing, grille lamellas, rear diffuser insert, exterior mirrors, beltline and window trim ▪ 720 - Black Roof Rails 	All Models	\$200
PAV	Winter Package <ul style="list-style-type: none"> ▪ 875 - Heated Windshield Washer System ▪ 443 - Heated Steering Wheel 	GLC300W	\$450



Options

Factory Options

<i>Code</i>	<i>Options</i>	<i>Availability</i>	<i>MSRP</i>
21U	Dashcam Requires Pinnacle Trim (Dx2)	All Models	\$200
293	Rear Side Airbags	All Models	\$700
401	Ventilated Front Seats Not available with leather upholstery	All Models	\$450
413	Panorama Sunroof	All Models	\$1,500
550	Trailer Hitch - Class II	All Models	\$575
846	Brushed Aluminum Running Boards	All Models	\$650
872	Heated Rear Seats	All Models	\$500
239	Active Distance Assist DISTRONIC	All Models	\$600
72B	Advanced USB Package	All Models	\$220
PBG	MB Navigation Only available with Premium Trim (DX0)	All Models	\$675
894	Enhanced Ambient Lighting Limited Availability	All Models	\$650
443	Heated Steering Wheel Requires Winter Package (PAV)	GLC300W4	\$250



VPC Installed Options

<i>Code</i>	<i>Options</i>	<i>Availability</i>	<i>MSRP</i>
D03	Illuminated Star Not available in combination with Driver Assistance Package (DA2)	All Models	\$500
D07	Wheel Locking Bolts	All Models	\$160
D08	Door Handle Inserts, Chrome	All Models	\$100
D11	Roof Spoiler, Body Color	All Models	\$350
D19	Chrome Trim, Rear Not available in combination with Night Pkg (DC1)	All Models	\$200
D24	Side Cladding, Rugged Matte Black Not available with AMG Line (DG3)	All Models	\$275
D26	Load Sill Guard	All Models	\$175
D37	Mercedes-Benz Star Set Plate frame/valve caps	All Models	\$35
D43	All-Weather Floor Mats, Black Rubber (Pack of 4)	All Models	\$170
D45	Animated LED Logo Projector	All Models	\$310
D49	First Aid Kit	All Models	\$35



Specifications

GLC300W



Chassis

Drivetrain

Transmission	9G-TRONIC
Transmission Speeds	9
Drive Configuration	Rear-Wheel Drive

Engine

Engine Configuration	2.0L Inline-4 Turbo w/ 48V Mild Hybrid System
Power (hp)	255 hp (ICE), 23 hp (ISG)
Torque (lb-ft)	295 lb-ft (ICE), 148 lb-ft (ISG)
Fuel Requirement (Octane)	91
Compression	10.5:1
Fuel Tank Size (gallons)	17.4
Displacement (cc)	1,991
# Valves per Cylinder	4

Performance

Acceleration	6.2
Top Speed	130 mph

Fuel Economy

Fuel Economy	TBD
--------------	-----

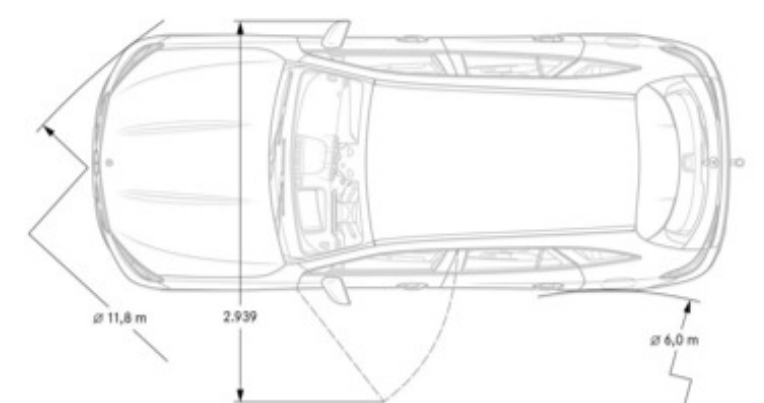
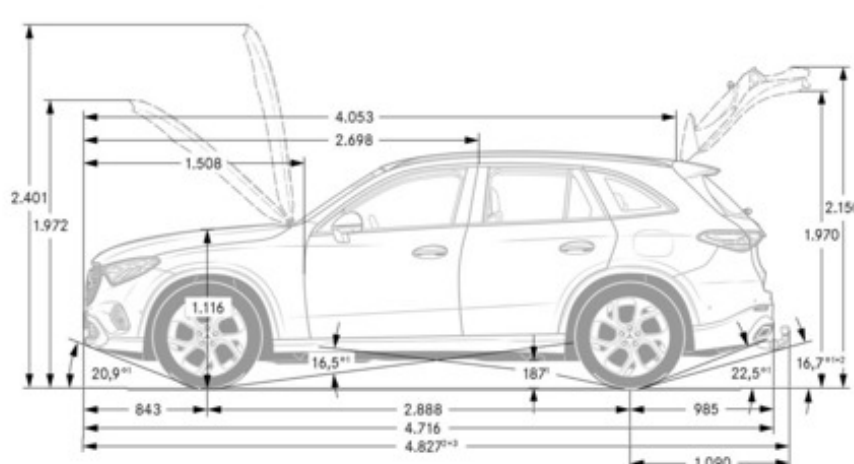
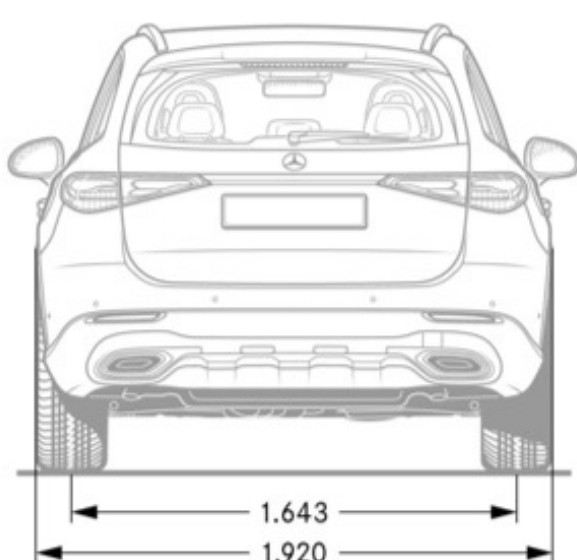
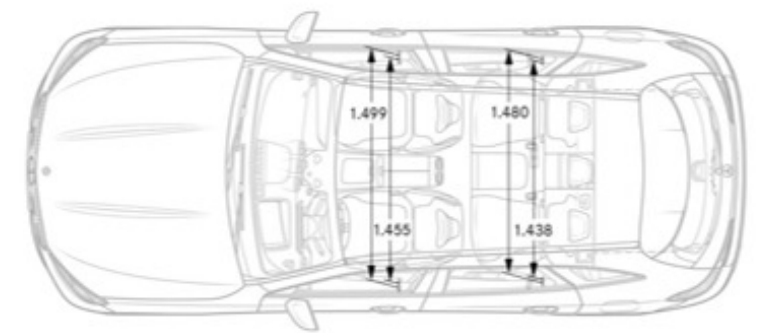
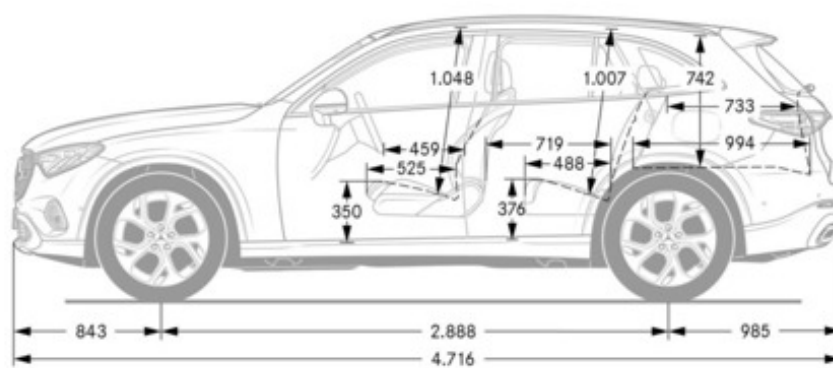
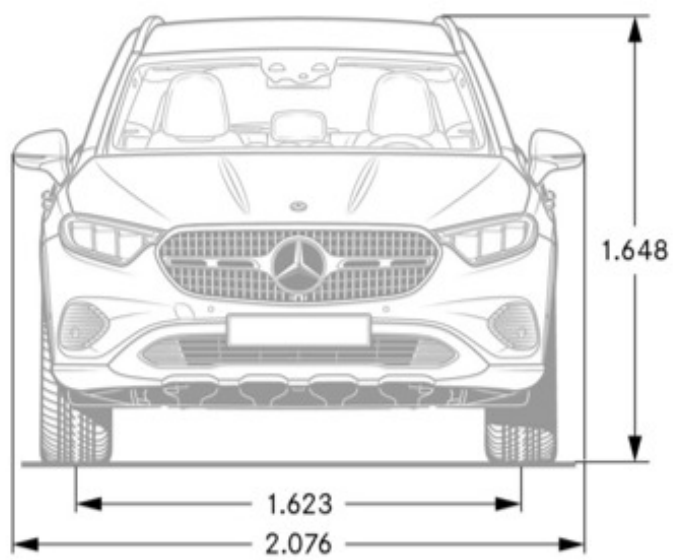
Exterior Dimensions

Vehicle Length	185.7 in
Vehicle Width with Mirrors	81.7 in
Vehicle Height	64.6 in
Wheelbase	113.1 in
Coefficient of Drag	0.29
Track Width Front/Rear	64.1/64.6 in
Curb Weight (lbs)	TBD

Wheels and Tires

Interior Dimensions

Trunk Size	56.3 cu ft
------------	------------



Chassis

Drivetrain

Transmission	9G-TRONIC
Transmission Speeds	9
Drive Configuration	Rear-Wheel Drive

Engine

Engine Configuration	2.0L Inline-4 Turbo w/ 48V Mild Hybrid System
Power (hp)	255 hp (ICE), 23 hp (ISG)
Torque (lb-ft)	295 lb-ft (ICE), 148 lb-ft (ISG)
Fuel Requirement (Octane)	91
Compression	10.5:1
Fuel Tank Size (gallons)	17.4
Displacement (cc)	1,991
# Valves per Cylinder	4

Performance

Acceleration	6.2
Top Speed	130 mph

Fuel Economy

Fuel Economy	TBD
---------------------	-----

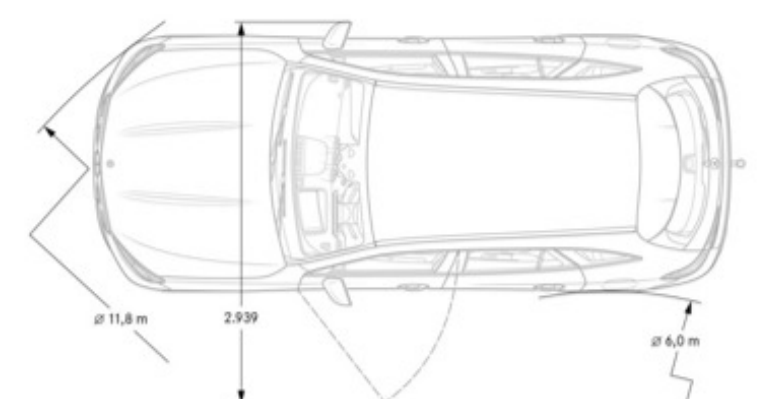
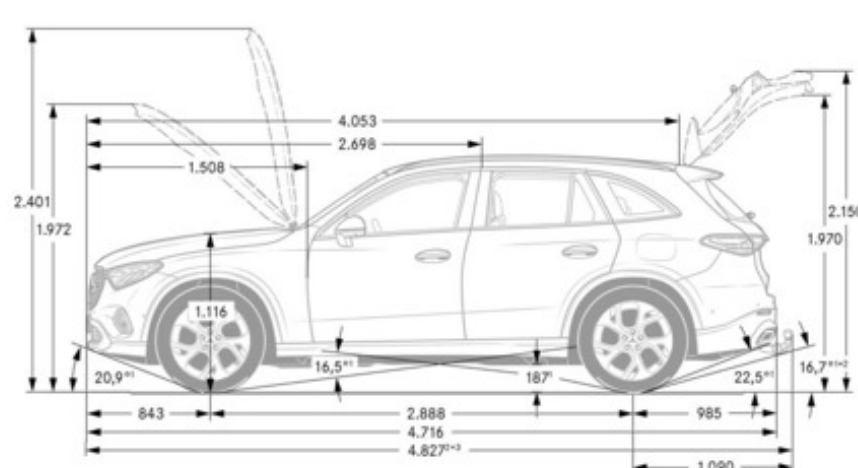
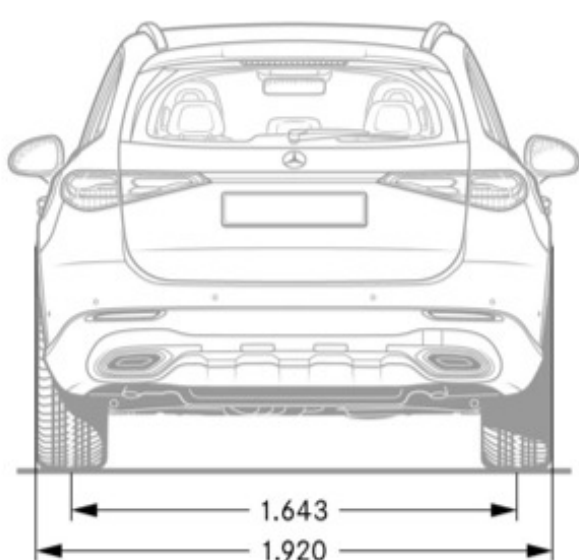
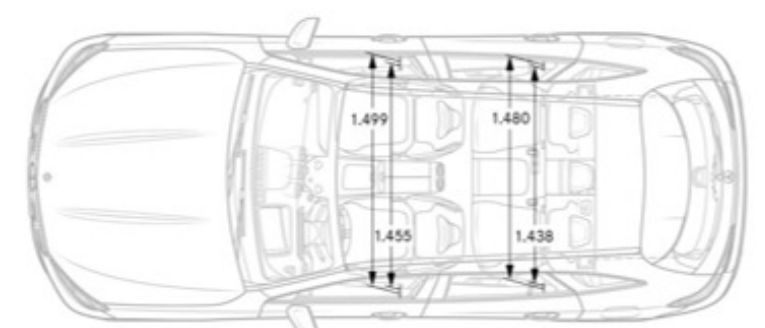
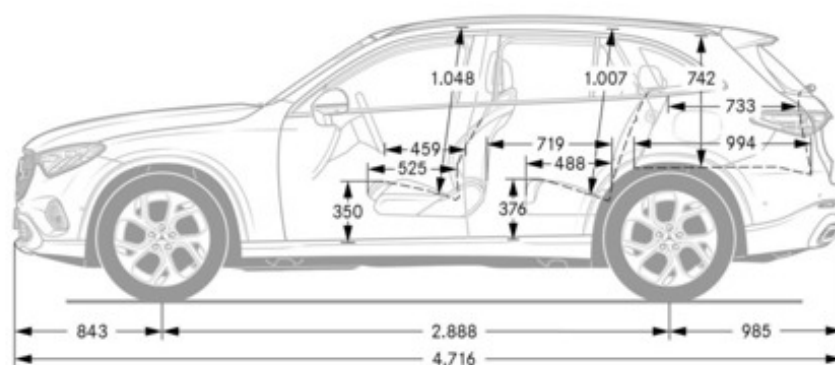
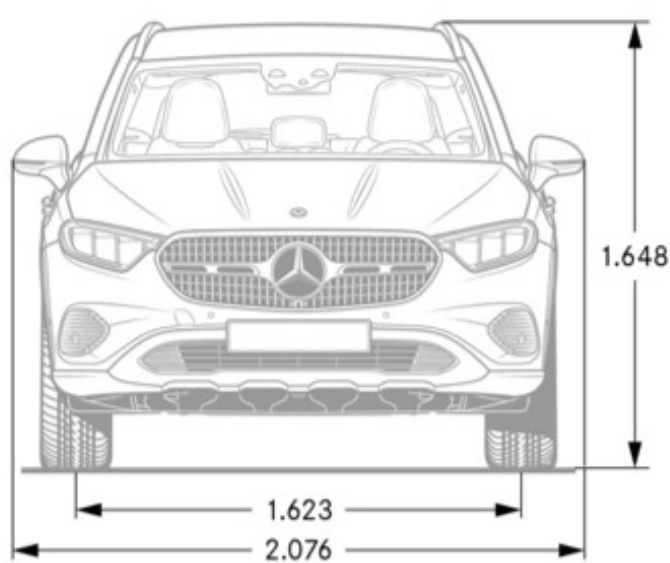
Exterior Dimensions

Vehicle Length	185.7 in
Vehicle Width with Mirrors	81.7 in
Vehicle Height	64.6 in
Wheelbase	113.1 in
Coefficient of Drag	0.29
Track Width Front/Rear	64.1/64.6 in
Curb Weight (lbs)	TBD

Wheels and Tires

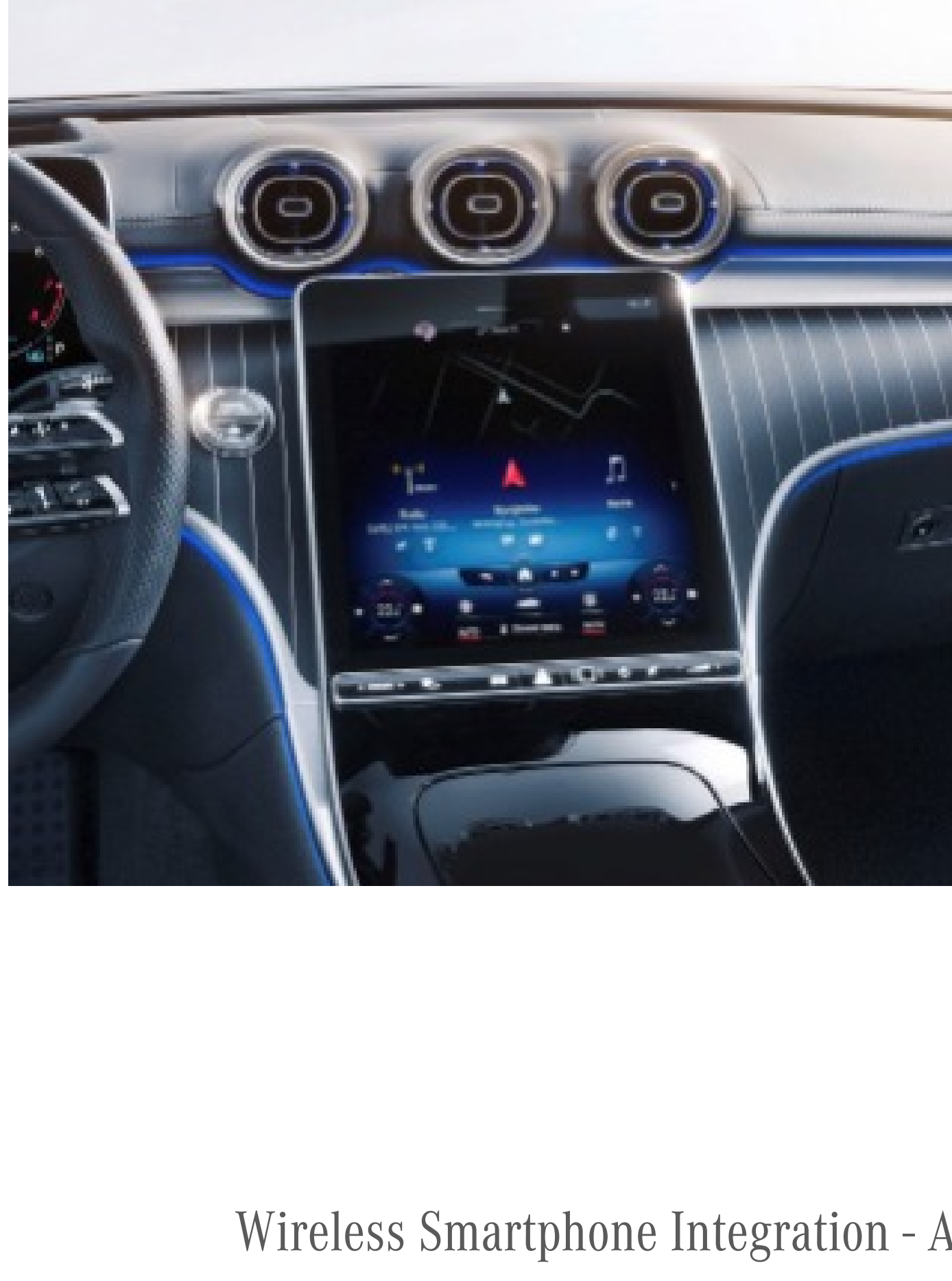
Interior Dimensions

Trunk Size	56.3 cu ft
-------------------	------------



Options In Detail

Mercedes-Benz User Experience (Standard)



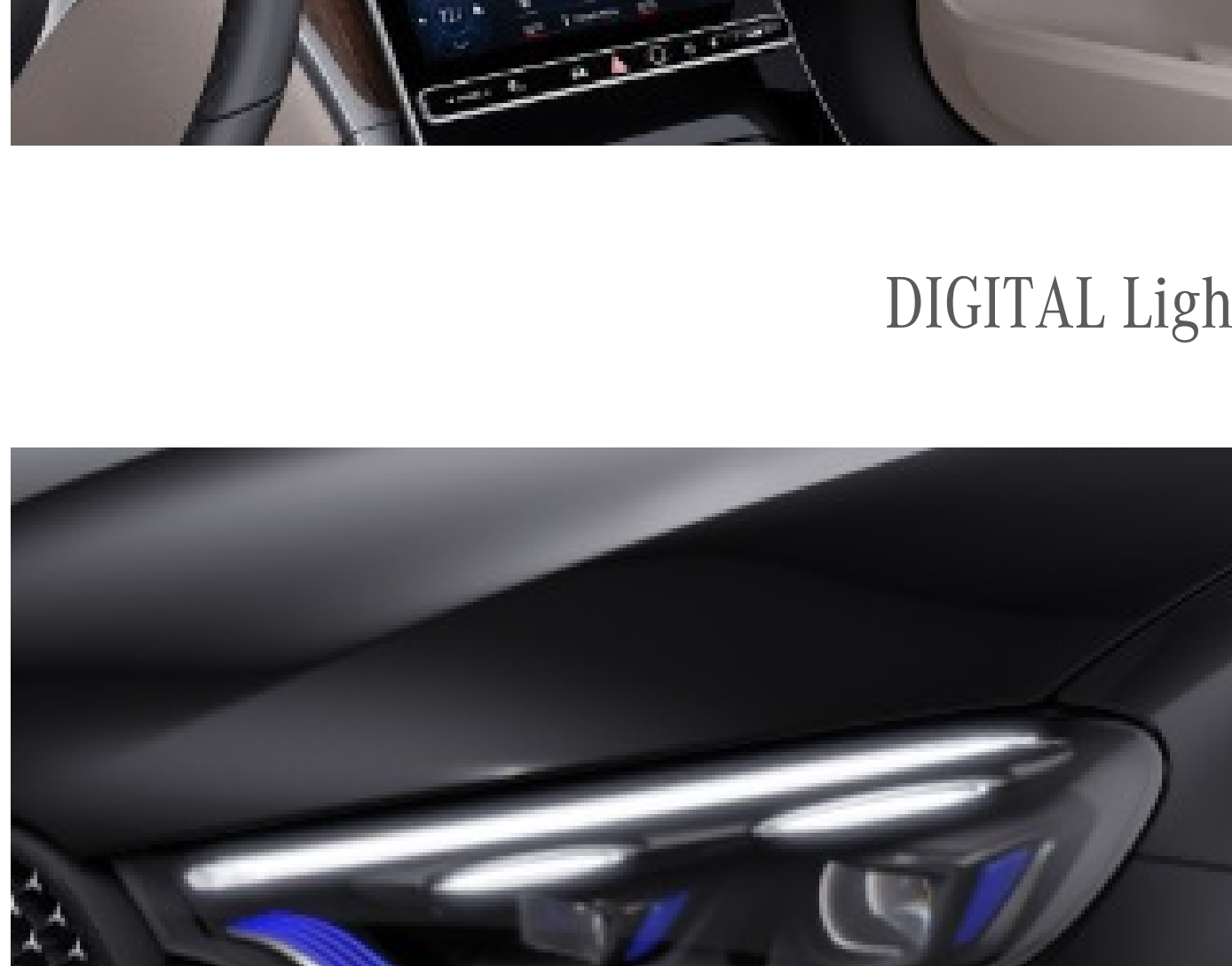
Extended MBUX Functions:

Say "Hey Mercedes", and your MBUX system awaits your commands. Personal profiles, predictive functions and a WiFi hotspot completely redefine the term digital networking

Many forms of interaction and personalization:

- The new GLC now includes the latest generation of MBUX (NTG 7)
- Standard 11.9" Touchscreen Media display in portrait format as a visual highlight
- Up to seven different profiles are possible in the vehicle.
- Alongside entry of the Mercedes me PIN, new biometric and interconnected authentication functions ensure a high level of security. These are fingerprint (standard), and voice recognition (standard).
- New convenience functions include prepositioning of the driver's seat and outside mirrors according to body size
- The voice assistant "Hey Mercedes" listens even more carefully, and understands the occupants even better: "Hey Mercedes" can also be controlled from the passenger seat. Several microphones help to tell the system which seat the voice is coming from.
- "Hey Mercedes" explains functions. The activation keyword "Hey Mercedes" is no longer necessary for certain applications. An incoming call can be taken direct with "Accept call", for example
- The appearance of the screens can be individualized with a choice of display styles
- Key functions such as the lights or windshield wipers can still be operated directly. The climate control panel is permanently at the lower edge of the display

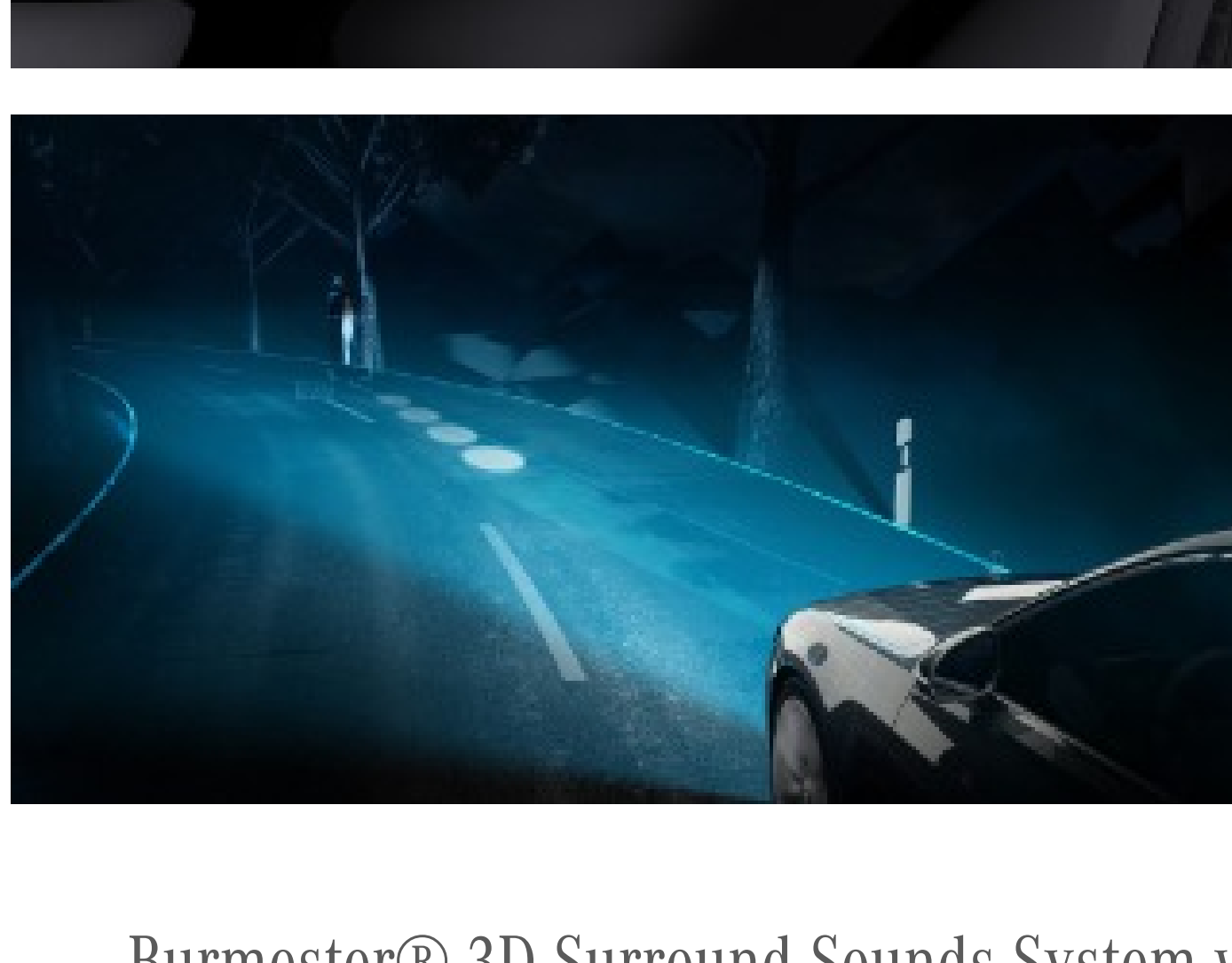
Wireless Smartphone Integration - Apple Carplay, Android Auto (Standard)



Features:

- Smartphone integration connects the mobile phone with the multimedia system wirelessly via Apple CarPlay™ or Android Auto™. This gives you convenient access to the most important apps on your smartphone.

DIGITAL Light - PAX (in DX2)



Features:

- HD system with projection module (more than 1 million pixels per headlamp), which uses data from the camera, sensors and the navigation system to calculate the brightness value for each individual pixel in near real time
- Background module MULTIBEAM LED
- DIGITAL LIGHT projection functions, depending on local approval regulations
 - Projection function for lines (30U), for example as guide lines in roadworks
 - Projection function for symbols (42U), e.g. as a direction symbol for lane correction when departing from the lane
 - Projection function for animations (43U), light shows when opening and closing the vehicle
- Ultra Wide Highbeam with maximum headlamp range close to the maximum legally permitted
- DIGITAL LIGHT projection functions, depending on local approval regulations, currently available with partial scopes in the USA

Burmester® 3D Surround Sounds System w/ Sounds Personalization & Music Streaming (Included with DX1 & DX2)



Features:

- 15 high-performance speakers tuned to match the vehicle interior and each with its own amplifier channel
- DSP amplifier with a total output of 710 watts (2 x 120 watts, 7 x 50 watts, 6 x 20 watts) - Increase of 120 watts compared to the previous generation Burmester Surround Sound system.
- 2 broadband speakers in the front area for 3D sound
- Frontbass technology with subwoofers integrated into the body shell
- Sound optimisation for the front, rear or all seats
- 2 sound presets: two built-in sound presets of the 3D surround sound system, you can change the listening experience with a single touch of a button. For completely unadulterated music enjoyment without any additional effects, you can activate the "Pure" style. In "3D-Sound" mode you can also enjoy virtual surround sound with all audio signals.
- Equalizer function for setting the bass, midrange and treble frequencies
- Noise compensation (VNC)
- The design of the speakers also features metal covers, with Burmester® lettering on the speakers
- Sound Personalization (32U) - A tailor-made listening experience: with the personalization of the sound system you can easily achieve your perfect sound setup. A setup assistant with innovative algorithms identifies your music preferences together with you and sets the Burmester® sound system to match your requirements. It stores the result in your personal profile.

Dashcam - 21U (Optional - Requires DX2)



The dashcam films and saves what's happening on the road in front of your vehicle - and also records the time and speed. This can help you document the sequence of events in an accident, for example, and provide you with supporting evidence if necessary. Or you can use the dashcam to record landscapes and routes to create your own automotive travel diary.

Components:

- Camera in the windshield
- Recording of videos with a resolution of 1280 x 720 pixels (720p) and a frame rate of 30 Hz
- Additional storage of speed and time embedded in the video signal
- Control menu in the media display
- Footage stored via USB stick using the Media Interface
- Video material can be viewed on a computer or the media display (only possible when vehicle is stationary) - for this the storage media must first be removed from the interface and reconnected

Advanced USB Package - 72B (Optional)



Features:

- Two USB-C ports in the centre console, with fast-charging capability and suitable for data transfer
- Two USB-C ports under the front centre armrest, with fast-charging capability and suitable for data transfer
- Two USB-C ports for the rear on the centre armrest, with fast-charging capability
- Two 12 V sockets, one in the front, one in the rear
- With this package, all 6 USB ports are capable of USB Power Delivery (100W)

Note: The standard USB (75B) offering includes:

- One USB-C port in the center console, suitable for data transfer
- Two USB-C ports under the front centre armrest, suitable for data transfer
- One 12 V socket in the front
- Maximum power for all 3 USB ports is 15W

Driver Assistance Package (DA2) - In DX0, requires MB Navigation (PBG)



Features:

- The Driver Assistance Package features Level 2 automated driving. State-of-the-art driving assistance systems support the driver according to the situation in terms of speed adjustment, steering, lane changes and the risk of collision. The risk of accidents is reduced - passengers and other road users are effectively protected.
- Drivers are afforded a great degree of relief in monotonous traffic during lengthy trips, for example, and in bumper-to-bumper driving or traffic jams as well as before curves, roundabouts, T-junctions and the end of traffic jams, etc.
- The fusion of different radar, ultrasound and camera sensors, map and navigation data, and live traffic information gives the customer more functionality compared to standard/individual functions.
- **The Driver Assistance Package Includes:**
 - Active Distance Assist DISTRONIC
 - Active Speed Limit Assist with response to changing speed limits
 - Active Stop-and-Go Assist
 - Extended automatic restarting
 - Route-based speed adaptation
 - Active Steering Assist
 - Active Lane Change Assist
 - Active Emergency Stop Assist
 - Evasive Steering Assist
 - Active Blind Spot Assist with exit warning
 - Active Brake Assist with turning and cross-traffic function
 - End-of-Traffic Emergency Braking
 - PRE-SAFE® PLUS
 - PRE-SAFE® Impulse Side

Active Distance Assist DISTRONIC® - 239 (Optional)



- Simply set the desired speed. The driver assistance system maintains this speed for you. In normal driving you don't need to constantly intervene yourself by braking or accelerating if the traffic ahead requires you to do so. Depending on which drive program you are in, your vehicle accelerates faster or slower up to the desired speed.

Features:

- Automatically acting driver assistance system: maintains the defined desired speed and at the same time controls the specified distance you have preselected
- When there are vehicles in front in flowing traffic: in a speed range from 0 to 100 mph
- Without any vehicles in front: in a speed range from 12 to 100 mph
- Visual and audible warning when the driver must intervene
- Depending on the drive program, the vehicle accelerates faster or slower up to the desired speed

Guard 360° (Included with DX1 & DX2)



In addition to the features included with the standard Parking Damage Detection, Guard 360 visualises the surroundings of the parked vehicle, for example if a collision has been detected. All the cameras of the 360° camera system are triggered. The resulting images are time-stamped. These images can be viewed in the central display as well as in the Mercedes me App and can then be used for further analysis purposes.

Standard vs AMG Line



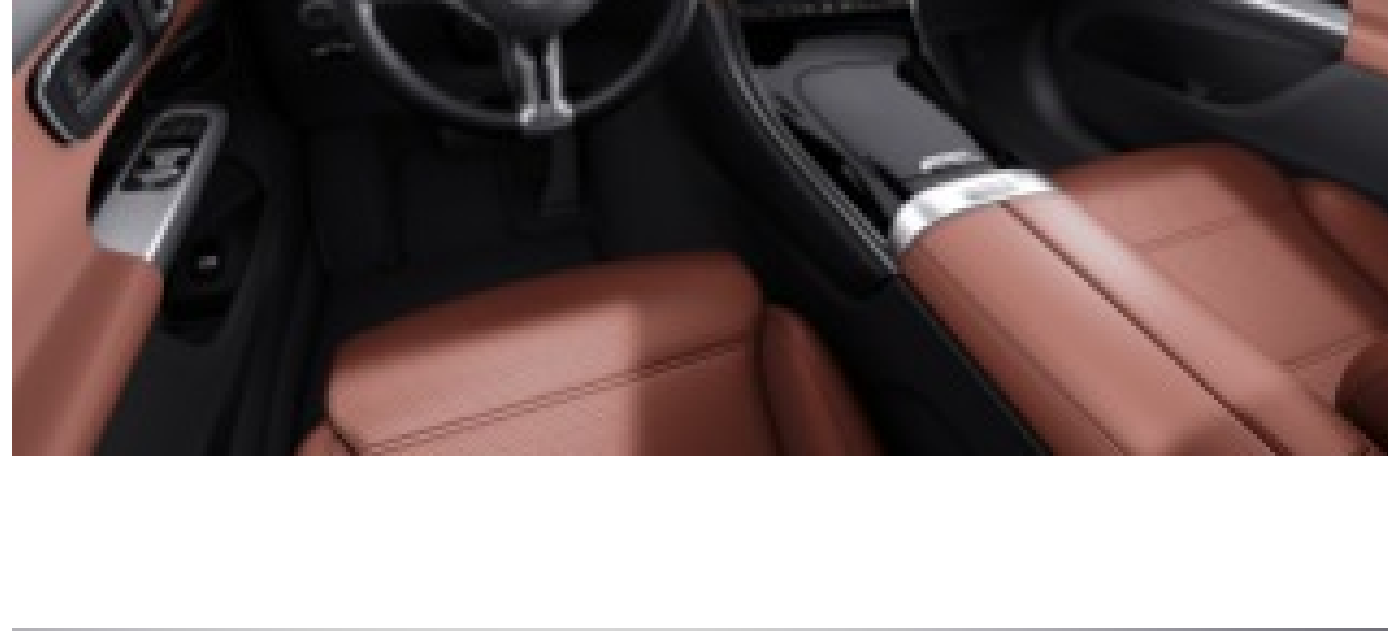
Standard

Exterior Features:

- Radiator grille with integrated Mercedes-Benz star and a dark grey louver with chrome overlay, radiator grille frame in chrome
- Front bumper with underguard in chrome and air inlets with diamond-pattern mesh in black
- Body-colored rear bumper with underguard in chrome
- Exhaust system with two tailpipe trim elements integrated into the bumper (non-functional)
- Beltline trim strips in polished aluminium
- Side window weatherstrips in polished aluminium
- Trim on the B-pillars in high-gloss black
- Trim piece between the rear taillamps in high-gloss black
- Polished aluminium roof rails

Interior Features:

- Multifunction steering wheel in leather (L3E)
- Air vents in silver chrome
- Doors with high-gloss black trim elements with silver chrome surrounds and switches in silver chrome
- Overhead control panel in high-gloss black
- Black fabric roof liner (51U) or fabric roof liner in crystal grey (58U)



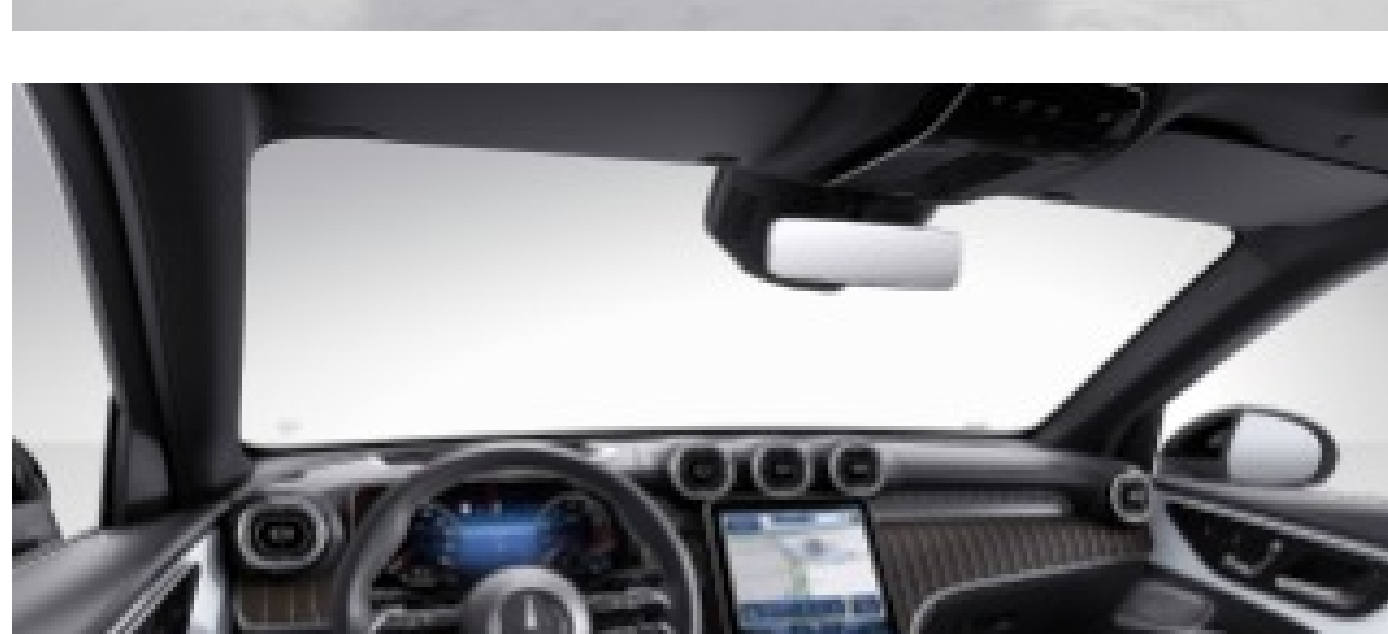
AMG Line

Exterior Features:

- AMG bodystyling consisting of AMG front bumper with sporty air intakes and chrome trim element
- Radiator grille with Mercedes-Benz chrome and integrated Mercedes star and louver in dark grey matte with chrome inlay and black frame
- Wheel arch linings in body color
- Exhaust system with two visible tailpipe trim elements integrated into the bumper and sporty engine sound
- Brake system with larger brake disks on the front axle (U29)

Interior Features:

- Multifunction steering wheel in nappa leather (L5C), with horizontal twin-spokes, flat bottom, deep embossing in the grip area, steering-wheel bezel and steering-wheel paddle shifters in silver chrome
- AMG brushed stainless steel sports pedals with black rubber studs
- MB-Tex instrument panel and beltlines in black nappa look (U34)
- Air vents with elements in silver chrome
- Doors with high-gloss black trim elements and surround in silver chrome and switches in silver chrome
- Floor mats in black with AMG lettering
- Overhead control panel in high-gloss black
- Black fabric headliner (51U)



Head-Up Display - 444 (Included with DX2)

The virtual image generated by the head-up display is projected into the driver's natural field of vision and appears to hover above the hood. The information selected by the driver, for example current speed, speed limits or navigation tips, is displayed in high resolution and in color. The information is therefore also easy to see on sunny days and at night.

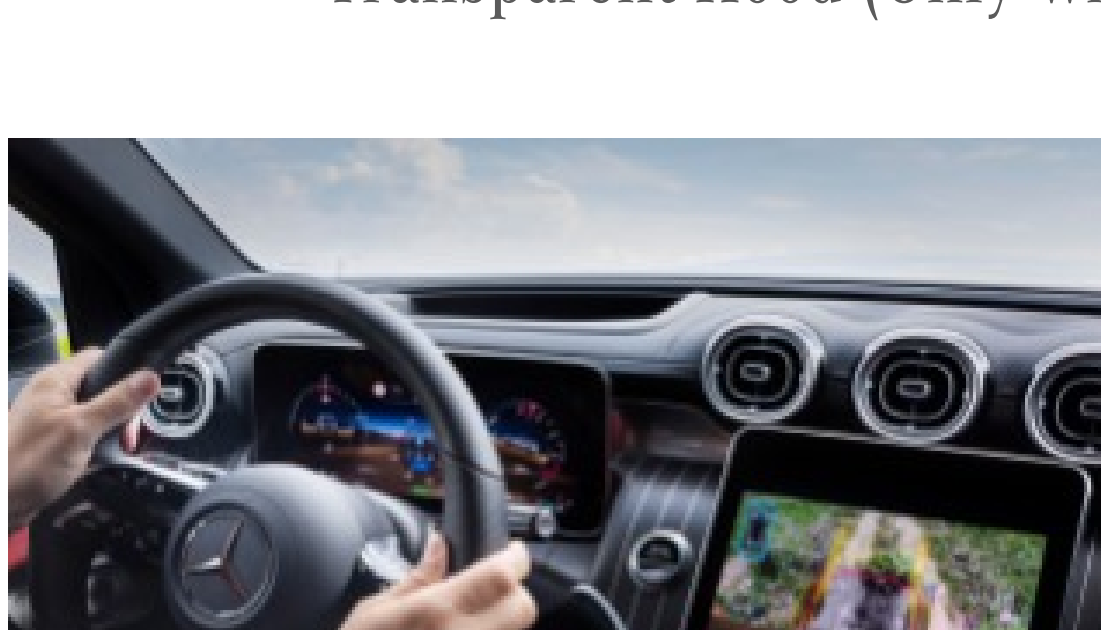
The positioning in the direct field of vision enhances your concentration and the good perceptibility takes the strain off your eyes. These factors have a positive effect on your alertness, particularly on long journeys. To enable you to view the projection at a suitable angle, the height of the head-up display can be adjusted. The selected setting can be stored conveniently via the optional memory function for the driver's seat.

Details:

1. A lens and mirror system projects a virtual image into the driver's field of vision above the hood and at a distance of 4.5 m
2. Image size approx. 9" x 3" (approx. 71 x 23.5 cm) with a resolution of 720 x 240 pixels
3. Presentation of information in full colour, making it clearly legible even on sunny days and at night
4. Depending on equipment, display of navigation prompts, speed, speed limits and settings for cruise control or Active Distance Assist DISTRONIC



Transparent Hood (Only with GLC300W4 & DX1 or DX2)



When the off-road mode is active, the central display shows a virtual view under the front of the vehicle, including the front wheels and their steering position. The view is composed of the images from the 360-degree camera. There are two views: under the vehicle and looking ahead. At speeds up to 5 mph the "transparent hood", i.e. the view under the vehicle, is shown. From 5 to 12 mph the system shows the view ahead. The camera image is switched off at higher speeds.



Gallery

All

Exterior

Interior

