



Table of Contents

1	General Information
2	What's New
3	Models
4	Equipment
4.1	Standard Equipment
4.2	Exterior Paint Colors
4.3	Wheels
4.4	Interior Upholstery
4.6	Interior Trims
4.7	Packages
4.8	Options
4.9	Specifications
5	Options In Detail
6	Gallery



General Information

Important Note

The information presented in this guide is based on the most current information available and is intended for internal use only. Mercedes-Benz reserves the right to make changes at any time, without notice, to colors, materials, equipment, special specifications and models.

Pricing may not yet be finalized for some models or options.

Due to variances among monitors and printers the colors that appear on your screen and printouts may not be exact.

For illustrative purposes, some images may show vehicles with European Specification.

Revision History

Date	Description
12/04/2023	Option Burmester 3D Surround Sound System (incl. 22U Music Streaming & 32U Sound Personalization) will be required content when DX2 Pinnacle Trim is selected on configurations now until the end of Q1 2024
11/02/2023	Rear Spoiler Body Color (D10), Rear Spoiler Black (D21) not available from November until December 2023
11/01/2023	AMG : Stand Alone option (401) Climatized Seats is currently delayed until March production.
10/09/2023	Burmester 3D Surround Sound System (incl. 22U Music Streaming & 32U Sound Personalization) is now available as a single option (810). The GLC Coupe will be equipped with Frontbass® Audio System as standard.
10/09/2023	AMG Line is no longer equipped as standard, it will now be available as an optional package (DG3).
10/09/2023	Standard Line is now available as the base build. Standard wheels (78R, R42), Upholsteries (101, 104, 105, 201, 205) are now available to order.
07/31/2023	Initial publication.
07/31/2023	MB-Tex Dashboard with Nappa Look (U34) required content for all builds until end of 2024.
07/31/2023	Enhanced Ambient Lighting (894) not available for ordering from July until December 2023. This will be replaced with Standard Ambient Light (891).



What's New

Standard Equipment

- **11.9" Center Touchscreen Display (868)**
- **Latest Generation of MBUX (NTG7)**
- **Inductive Wireless Charging (897)**
- **Panorama Roof (413)**
- **Biometric Fingerprint Scanner (321)**
- **Picture Taking Functionality with Guard 360° Protection (P82)**
- **Minispare (690)**

Optional Equipment

- **Dascham (21U)**
- **Active Distance Assist DISTRONIC (239)**
- **Advanced USB Package (72B)**

Paints

- **Nautical Blue Metallic (595)**
- **MANUFAKTUR Opalite White Bright (885)**
- **MANUFAKTUR Graphite Grey Magno (818)**

Upholstery

- **AMG Sienna Brown/Black MB-Tex (194)**
- **AMG Sienna Brown/Black Leather (294)**
- **Black Nappa Leather (801)**
- **AMG Neva Grey MB-Tex (118)**
- **AMG Power Red/Black Leather (297)**
- **Sienna Brown Nappa Leather (804)**

Trim

- **Glossy Brown Ash Wood (H03)**
- **Fineline Anthracite Wood (H08)**
- **Metal Weave (H64)**
- **Natural Grain Black Wood with Aluminum Lines (H04)**
- **Silver Diamond Pattern (H50)**

Wheels

- **New standard 19" 5-Spoke Wheel w/ Black Accents (RRE) now available**
- **New 20" 5-Spoke w/ Black Accents (RRN) now available**
- **New 20" Multispoke Wheel (RVO) now available**
- **New 20" Multispoke Wheel in Black (RVP) now available**

VPC Accessories

- **Side Cladding, Rugged Matte Black (D24) now available**
- **Animated LED Logo Projector (D45) now available**
- **Load Sill Guard (D26) now available**
- **LED Logo Projectors (D16) now standard**



Models



GLC300C4 (254.347)

- MSRP: \$57,000
- Transmission: 9G-TRONIC
- Transmission Speeds: 9
- Acceleration 0-60 mph (sec): 6.2
- Engine Configuration: 2.0L inline-4 turbo engine
- Power (hp): 255 hp (ICE), 23 hp (ISG)
- Torque (lb-ft): 295 lb-ft (ICE), 148 lb-ft (ISG)
- Launch Date: Fall 2023



Standard Equipment

GLC300C4



Performance & Handling

- 2.0L inline-4 turbo engine
- 4MATIC® Permanent All-Wheel Drive
- DYNAMIC SELECT
- 9G-TRONIC 9-Speed Automatic Transmission
- ECO Start/Stop System
- Independent Front/Rear Suspension

Comfort & Convenience

- MBUX intelligent vehicle assistant (“Hey Mercedes”)
- 464 12.3" Digital Instrument Cluster
- Heated Front Seats
- SiriusXM® Satellite Radio
- KEYLESS-START
- Three USB-C Ports
- Multifunction leather steering wheel w/ Touch Control Buttons
- HD Radio
- Power Tilt & Telescoping Steering Column
- Power Windows with Express Up and Down
- Garage Door Opener
- Illuminated Door Sills
- Auto-Dimming Driver & Rearview Mirror
- 587 Mirror Logo Projector
- 16U Wireless AppleCarplay
- 321 Fingerprint Scanner
- 868 11.9" Center Touchscreen Display
- Panorama Roof
- 275 16-Way Power Front Seats with Memory, Lumbar, and Thigh extension
- KEYLESS-GO®
- Bluetooth® Technology (for Handsfree Phone Use/Audio Streaming)
- Dual-Zone Automatic Climate Control
- MB Navigation
- 428 Steering Wheel Shift Paddles
- Electronic Cruise Control
- Storage Package
- Rain Sensing Wipers
- 891 Ambient Lighting
- Split-Folding Rear Seats (40/20/40)
- Power Liftgate
- 17U Wireless Android Auto
- 897 Inductive Wireless Charging

Safety & Security

- New Vehicle 4 Year/50,000 Mile Warranty
- Blind Spot Assist
- PRE-SAFE® now w/ PRE-SAFE Sound
- Surround View System
- 3-point Seat Belt with Pretensioners & Dual-Stage Belt Force Limiter
- Front and Rear Side Window Airbags
- Driver Kneebag
- ISOFIX Anchor and Tether System
- Tire Pressure Monitoring System
- GUARD 360
- 24h Roadside Assistance Program
- LED Headlamps and Taillamps
- PARKTRONIC w/ Active Parking Assist
- Active Brake Assist
- Front Dual-Stage Airbags
- Front Side Airbags
- Rearview Camera
- ATTENTION ASSIST Driver Drowsiness Monitor
- Anti-theft Alarm System
- Adaptive Highbeam Assist



Paint

Non-Metallic Paints



040 - Black



149 - Polar White

Metallic Paints



197 - Obsidian Black Metallic



922 - Cirrus Silver Metallic



859 - Mojave Silver Metallic



831 - Graphite Grey Metallic



970 - Starling Blue Metallic

MANUFAKTUR Paints



NEW

993 - MANUFAKTUR Patagonia Red Metallic



NEW

885 - MANUFAKTUR Moonlight White Metallic



NEW

818 - MANUFAKTUR Graphite Grey Magno

Code	Description	Availability	Price
040	Black	All Models	\$0
149	Polar White	All Models	\$0
197	Obsidian Black Metallic	All Models	\$750
922	Cirrus Silver Metallic	All Models	\$750
859	Mojave Silver Metallic	All Models	\$750
831	Graphite Grey Metallic	All Models	\$750
970	Starling Blue Metallic	All Models	\$750
993 (New)	MANUFAKTUR Patagonia Red Metallic	All Models	\$1,750
885 (New)	MANUFAKTUR Moonlight White Metallic	All Models	\$1,750
818 (New)	MANUFAKTUR Graphite Grey Magno	All Models	\$3,250



Wheels



78R - 19" Multispoke Wheels

19"
R02, 690 (Minispare)
Multispoke Wheels
235/55 R19 on 8 J x 19 ET 32.5



R42 - 20" Multispoke Wheels

20"
R01, 690 (Minispare)
Multispoke Wheels
255/45 R20 on 8.5 J x 20 ET 34.5



RRE - AMG 19" 5-Spoke Wheels w/ Black Accents

Only available with AMG Line (DG3)
19"
R02, 690 (Minispare)
AMG 5-Spoke Wheels with Black Accents
235/55 R19 on 8 J x 19 ET 32.5 (Front)
255/50 R19 on 9 J x 19 ET 30 (Rear)



RVO - AMG 20" Multispoke Wheels

Only available with AMG Line (DG3)
20"
R01, 690 (Minispare)
AMG Multispoke Wheels with Black Accents
255/45 R20 on 8.5 J x 20 ET 34.5 (Front)
285/40 R20 on 9.5 J x 20 ET 35.5 (Rear)



RRN - AMG 20" 5-Spoke Wheels

Only available with AMG Line (DG3)
20"
R01, 690 (Minispare)
AMG 5-Spoke Wheels with Black Accents
255/45 R20 on 8.5 J x 20 ET 34.5 (Front)
285/40 R20 on 9.5 J x 20 ET 35.5 (Rear)



RVP - AMG 20" Multispoke Wheels Black

Only available with AMG Line (DG3)
20"
R01, 690 (Minispare)
AMG Multispoke Wheels Black
255/45 R20 on 8.5 J x 20 ET 34.5 (Front)
285/40 R20 on 9.5 J x 20 ET 35.5 (Rear)

Code	Wheel Size	Description	Wheel Dimensions	Mobility	Availability	MSRP
78R	19"	Multispoke Wheels	235/55 R19 on 8 J x 19 ET 32.5	R02, 690 (Minispare)	All Models	\$600
R42	20"	Multispoke Wheels	255/45 R20 on 8.5 J x 20 ET 34.5	R01, 690 (Minispare)	All Models	\$850
RRE	19"	AMG 5-Spoke Wheels with Black Accents Only available with AMG Line (DG3)	235/55 R19 on 8 J x 19 ET 32.5 (Front) 255/50 R19 on 9 J x 19 ET 30 (Rear)	R02, 690 (Minispare)	All Models	\$0
RVO	20"	AMG Multispoke Wheels with Black Accents Only available with AMG Line (DG3)	255/45 R20 on 8.5 J x 20 ET 34.5 (Front) 285/40 R20 on 9.5 J x 20 ET 35.5 (Rear)	R01, 690 (Minispare)	All Models	\$850
RRN	20"	AMG 5-Spoke Wheels with Black Accents Only available with AMG Line (DG3)	255/45 R20 on 8.5 J x 20 ET 34.5 (Front) 285/40 R20 on 9.5 J x 20 ET 35.5 (Rear)	R01, 690 (Minispare)	All Models	\$850
RVP	20"	AMG Multispoke Wheels Black Only available with AMG Line (DG3)	255/45 R20 on 8.5 J x 20 ET 34.5 (Front) 285/40 R20 on 9.5 J x 20 ET 35.5 (Rear)	R01, 690 (Minispare)	All Models	\$850



Upholstery

MB Tex



101 - Black MB-Tex

Not available with AMG Line (DG3)



105 - Macchiato Beige MB-Tex

Not available with AMG Line (DG3)



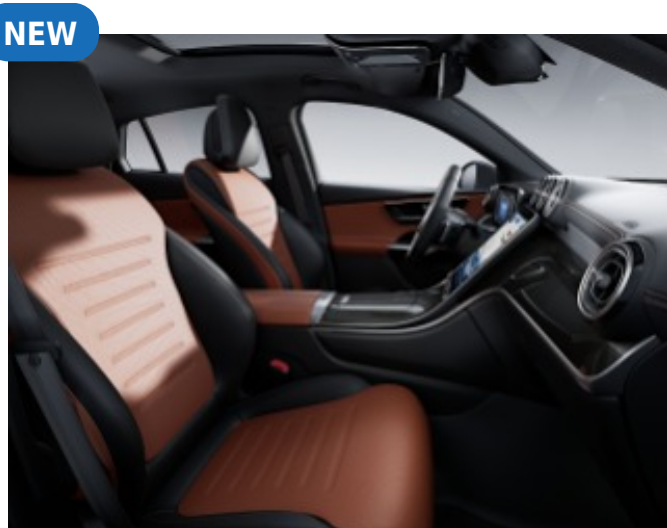
104 - Sienna Brown MB-Tex

Not available with AMG Line (DG3)



111 - AMG Black MB-Tex

Only available with AMG Line (DG3).



194 - AMG Sienna Brown/Black MB-Tex

Only available with AMG Line (DG3). Not available with Starling Blue Metallic (970) or MANUFAKTUR Patagonia Red Metallic (993)



118 - AMG Neva Grey MB-Tex

Only available with AMG Line (DG3). Not available with Mojave Silver Metallic Paint (859)

Leather



201 - Black Leather

Not available with AMG Line (DG3)



205 - Macchiato Beige Leather

Not available with AMG Line (DG3)



211 - AMG Black Leather

Only available with AMG Line (DG3)



294 - AMG Sienna Brown/Black Leather

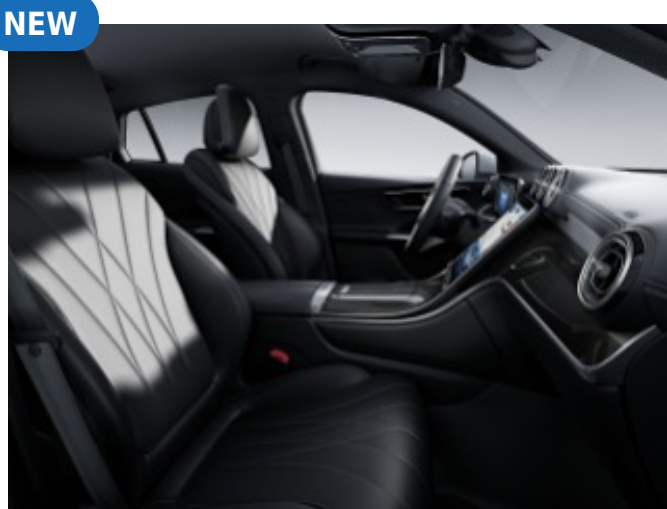
Only available with AMG Line (DG3). Not available with Starling Blue Metallic (970), or MANUFAKTUR Patagonia Red Metallic (993)



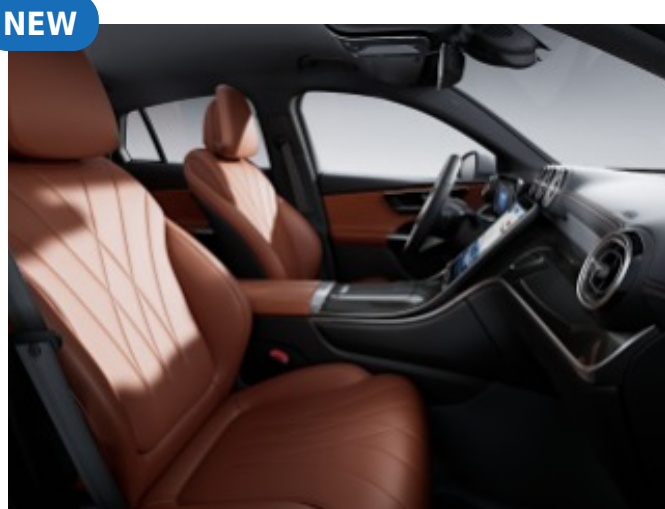
297 - AMG Power Red/Black Leather

Only available with AMG Line (DG3). Not available with Starling Blue Metallic (970) or Nautical Blue Metallic (595); Not available with Natural Grain Walnut Wood Trim (H33) or Glossy Brown Ash Wood (H03)

Nappa Leather



801 - Black Nappa Leather



804 - Sienna Brown Nappa Leather

Not available with Starling Blue Metallic (970), or MANUFAKTUR Patagonia Red Metallic (993)

Fabric Headliner



51U - Black Fabric Headliner

Required for all upholstery.



58U - Crystal Grey Fabric Headliner

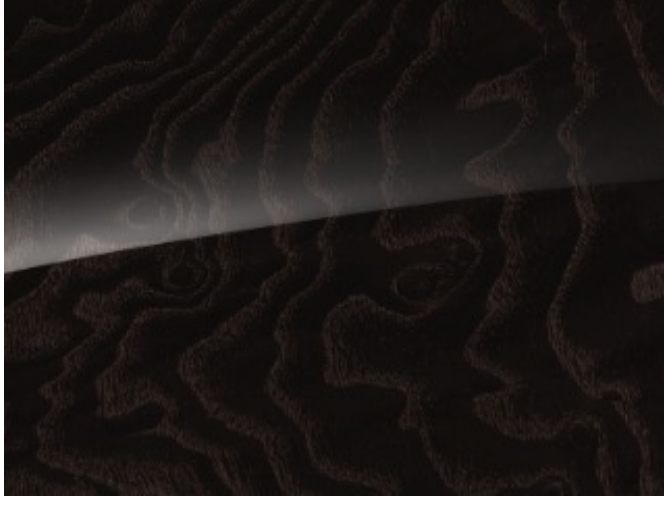
Available with Black MB-Tex (101), Black Leather (201). Not available with AMG Line (DG3)

<i>Code</i>	<i>Description</i>	<i>Availability</i>	<i>Price</i>
101	Black MB-Tex Not available with AMG Line (DG3)	All Models	\$0
105	Macchiato Beige MB-Tex Not available with AMG Line (DG3)	All Models	\$0
104	Sienna Brown MB-Tex Not available with AMG Line (DG3)	All Models	\$0
111	AMG Black MB-Tex Only available with AMG Line (DG3).	All Models	\$0
194 (New)	AMG Sienna Brown/Black MB-Tex Only available with AMG Line (DG3). Not available with Starling Blue Metallic (970) or MANUFAKTUR Patagonia Red Metallic (993)	All Models	\$0
118 (New)	AMG Neva Grey MB-Tex Only available with AMG Line (DG3). Not available with Mojave Silver Metallic Paint (859)	All Models	\$0
201	Black Leather Not available with AMG Line (DG3)	All Models	\$1,620
205	Macchiato Beige Leather Not available with AMG Line (DG3)	All Models	\$1,620
211	AMG Black Leather Only available with AMG Line (DG3)	All Models	\$1,620
294	AMG Sienna Brown/Black Leather Only available with AMG Line (DG3). Not available with Starling Blue Metallic (970), or MANUFAKTUR Patagonia Red Metallic (993)	All Models	\$1,620
297	AMG Power Red/Black Leather Only available with AMG Line (DG3). Not available with Starling Blue Metallic (970) or Nautical Blue Metallic (595); Not available with Natural Grain Walnut Wood Trim (H33) or Glossy Brown Ash Wood (H03)	All Models	\$1,620
801 (New)	Black Nappa Leather	All Models	\$2,590
804 (New)	Sienna Brown Nappa Leather Not available with Starling Blue Metallic (970), or MANUFAKTUR Patagonia Red Metallic (993)	All Models	\$2,590
51U	Black Fabric Headliner Required for all upholsteries.	All Models	\$0
58U	Crystal Grey Fabric Headliner	All Models	\$0

<i>Code</i>	<i>Upholstery</i>	<i>Seats</i>	<i>Floor Mats</i>	<i>Upper Dash/Lower Dash</i>	<i>Seat Belts</i>	<i>Steering Wheel</i>	<i>Headliner</i>
101	Black MB-Tex Not available with AMG Line (DG3)	Black	Black	Black	Black	Black	Black or Crystal Grey
105	Macchiato Beige MB-Tex Not available with AMG Line (DG3)	Macchiato Beige	Black	Black/Macchiato Beige	Black	Black	Black
104	Sienna Brown MB-Tex Not available with AMG Line (DG3)	Sienna Brown	Black	Black	Black	Black	Black
111	AMG Black MB-Tex Only available with AMG Line (DG3).	Black	Black	Black/Black	Black	Black	Black
194 (New)	AMG Sienna Brown/Black MB-Tex Only available with AMG Line (DG3). Not available with Starling Blue Metallic (970) or MANUFAKTUR Patagonia Red Metallic (993)	Black	Black	Black/Black	Black	Black	Black
118 (New)	AMG Neva Grey MB-Tex Only available with AMG Line (DG3). Not available with Mojave Silver Metallic Paint (859)	Neva Grey	Black	Black	Black	Black	Black
201	Black Leather Not available with AMG Line (DG3)	Black	Black	Black	Black	Black	Black or Crystal Grey
205	Macchiato Beige Leather Not available with AMG Line (DG3)	Macchiato Beige	Black	Black/Macchiato Beige	Black	Black	Black or Crystal Grey
211	AMG Black Leather Only available with AMG Line (DG3)	Black	Black	Black/Black	Black	Black	Black
294	AMG Sienna Brown/Black Leather Only available with AMG Line (DG3). Not available with Starling Blue Metallic (970), or MANUFAKTUR Patagonia Red Metallic (993)	Sienna Brown/Black	Black	Black	Black	Black	Black
297	AMG Power Red/Black Leather Only available with AMG Line (DG3). Not available with Starling Blue Metallic (970) or Nautical Blue Metallic (595); Not available with Natural Grain Walnut Wood Trim (H33) or Glossy Brown Ash Wood (H03)	Power Red/Black	Black	Black	Black	Black	Black
801 (New)	Black Nappa Leather	Black	Black	Black	Black	Black	Black
804 (New)	Sienna Brown Nappa Leather Not available with Starling Blue Metallic (970), or MANUFAKTUR Patagonia Red Metallic (993)	Sienna Brown	Black	Black	Black	Black	Black
51U	Black Fabric Headliner Required for all upholsteries.						
58U	Crystal Grey Fabric Headliner						

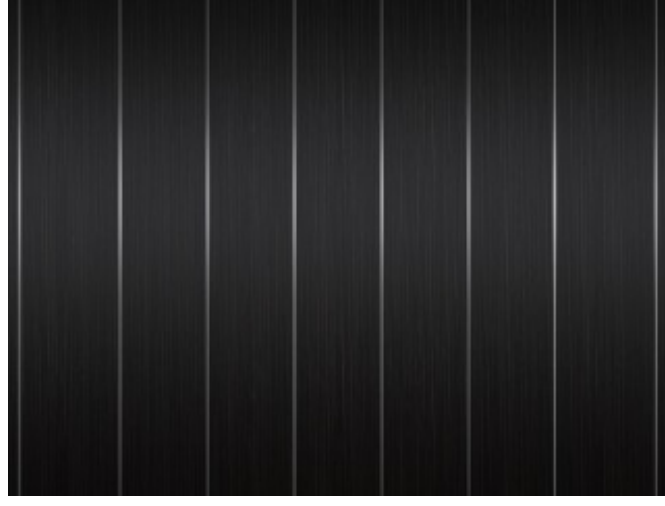


Trims



H03 - Glossy Brown Ash Wood

Only with Piano Black Lacquer Center Console (757); Not available in combination with AMG Power Red/Black Leather (297)



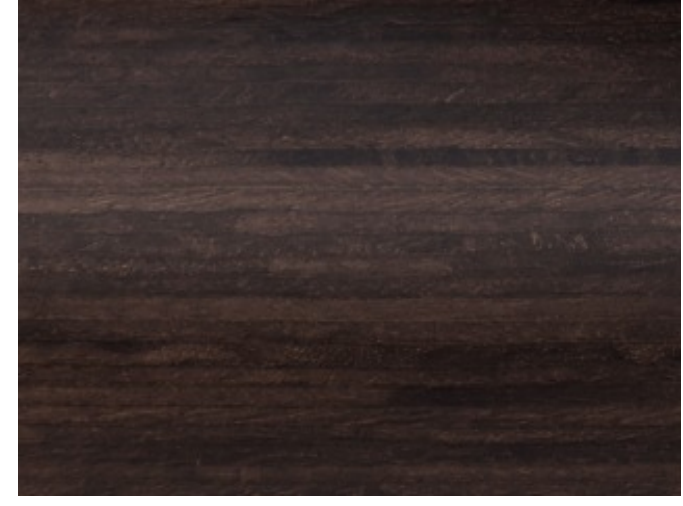
H04 - Natural Grain Black Wood w/ Aluminum Lines

Only with Metal Weave Center Console (795) or Piano Black Lacquer Center Console (757)



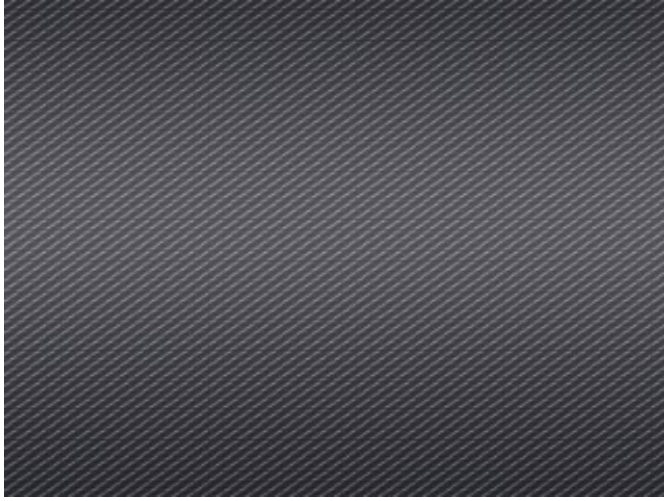
H08 - Finline Anthracite Wood

Only with Metal Weave Center Console (795) or Piano Black Lacquer Center Console (757)



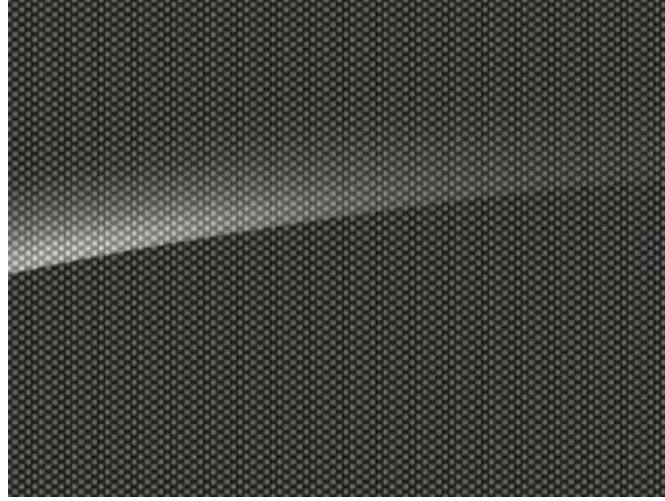
H33 - Natural Grain Walnut Wood

Only with Piano Black Lacquer Center Console (757); Not available in combination with AMG Power Red/Black Leather (297)



H50 - Silver Diamond Pattern

Only with Silver Diamond Pattern Center Console (794) or Piano Black Lacquer Center Console (757)



H64 - Metal Fiber Weave

Only with Metal Weave Center Console (795) or Piano Black Lacquer Center Console (757)



757 - Piano Black Lacquer Center Console



794 - Silver Diamond Pattern Center Console



795 - Metal Weave Center Console

<i>Code</i>	<i>Description</i>	<i>Availability</i>	<i>Price</i>
H03	Glossy Brown Ash Wood Only with Piano Black Lacquer Center Console (757); Not available in combination with AMG Power Red/Black Leather (297)	All Models	\$0
H04	Natural Grain Black Wood w/ Aluminum Lines Only with Metal Weave Center Console (795) or Piano Black Lacquer Center Console (757)	All Models	\$200
H08	Finline Anthracite Wood Only with Metal Weave Center Console (795) or Piano Black Lacquer Center Console (757)	All Models	\$0
H33	Natural Grain Walnut Wood Only with Piano Black Lacquer Center Console (757); Not available in combination with AMG Power Red/Black Leather (297)	All Models	\$0
H50	Silver Diamond Pattern Only with Silver Diamond Pattern Center Console (794) or Piano Black Lacquer Center Console (757)	All Models	\$0
H64	Metal Fiber Weave Only with Metal Weave Center Console (795) or Piano Black Lacquer Center Console (757)	All Models	\$0
757	Piano Black Lacquer Center Console	All Models	\$0
794	Silver Diamond Pattern Center Console	All Models	\$0
795	Metal Weave Center Console	All Models	\$0



Packages

<i>Code</i>	<i>Packages</i>	<i>Availability</i>	<i>MSRP</i>
DX2 (New)	<p>Pinnacle Trim</p> <ul style="list-style-type: none"> ▪ 444 - Head-Up Display ▪ PAX - DIGITAL LIGHT with Projections ▪ 851 - Heat & Noise insulating glass ▪ U19 - Augmented Video for Navigation 	All Models	\$2,150
DA2 (New)	<p>Driver Assistance Package</p> <ul style="list-style-type: none"> ▪ 233 - DISTRONIC PLUS with Steering Assist and Stop & Go Assist ▪ Active Speed Limit Assist ▪ Route-Based Speed Adaptation ▪ 300 - PRE-SAFE® Brake with Pedestrian Recognition ▪ PRE-SAFE® IMPULSE SIDE ▪ P20 - Driver Assistance Package Plus ▪ Active Lane Change Assist ▪ 268 - BAS PLUS with Cross-Traffic Assist ▪ 253 - PRE-SAFE® PLUS 	All Models	\$1,950
DG3	<p>AMG Line</p> <ul style="list-style-type: none"> ▪ Flat-Bottom Multifunction Sport Steering Wheel. ▪ U29 - Perforated Brake Discs with Mercedes-Benz Lettered Calipers ▪ U26 - AMG Line Floor Mats* ▪ 772 - AMG Line Body Styling ▪ P29 - AMG Line Interior ▪ P31 - AMG Line Exterior 	All Models	\$2,850
DC1	<p>Night Package</p> <ul style="list-style-type: none"> ▪ P55 - High-Gloss Black Elements: Front wing, grille lamellas, rear diffuser insert, exterior mirrors, beltline and window trim 	All Models	\$200



Options

Factory Options

<i>Code</i>	<i>Options</i>	<i>Availability</i>	<i>MSRP</i>
21U	Dashcam Requires Pinnacle Trim (Dx2)	All Models	\$200
293	Rear Side Airbags	All Models	\$700
239	Active Distance Assist DISTRONIC	All Models	\$600
401	Ventilated Front Seats Not available with leather upholstery	All Models	\$450
443	Heated Steering Wheel	All Models	\$250
550	Trailer Hitch - Class II	All Models	\$575
810	Burmester® Surround Sound System Recommended	All Models	\$910
846	Brushed Aluminum Running Boards	All Models	\$650
872	Heated Rear Seats	All Models	\$580
72B	Advanced USB Package	All Models	\$220



VPC Installed Options

<i>Code</i>	<i>Options</i>	<i>Availability</i>	<i>MSRP</i>
D03	Illuminated Star Not available with Driver Assistance Package (DA2)	All Models	\$500
D07	Wheel Locking Bolts	All Models	\$160
D08	Door Handle Inserts, Chrome		\$100
D10 (Delayed)	Rear Spoiler, Body Color Currently unavailable due to supplier constraints.	All Models	\$350
D21	Rear Spoiler, Black Currently unavailable due to supplier constraints. Not available with Rear Spoiler, Body Color (D10), Black (040) or Obsidian Black (197) paints	All Models	\$350
D37	MB Star Set (License Plate Frame & Valve caps)	All Models	\$70
D43	All-Season Floor Mats, Black Rubber (Pack of 4)	All Models	\$170
D45	Animated LED Logo Projector	All Models	\$310
D49	First Aid Kit	All Models	\$35



Specifications

GLC300C4



Chassis

Drivetrain

Transmission	9G-TRONIC
Transmission Speeds	9
Drive Configuration	All-Wheel Drive

Engine

Engine Configuration	2.0L inline-4 turbo engine
Power (hp)	255 hp (ICE), 23 hp (ISG)
Torque (lb-ft)	295 lb-ft (ICE), 148 lb-ft (ISG)
Fuel Requirement (Octane)	91
Compression	10.5 : 1
Fuel Tank Size (gallons)	17.4
# Valves per Cylinder	4
Displacement (cc)	1,991

Performance

Acceleration 0-60 mph (sec)	6.2
Top Speed (mph)	130

Fuel Economy

Fuel Economy	TBD
--------------	-----

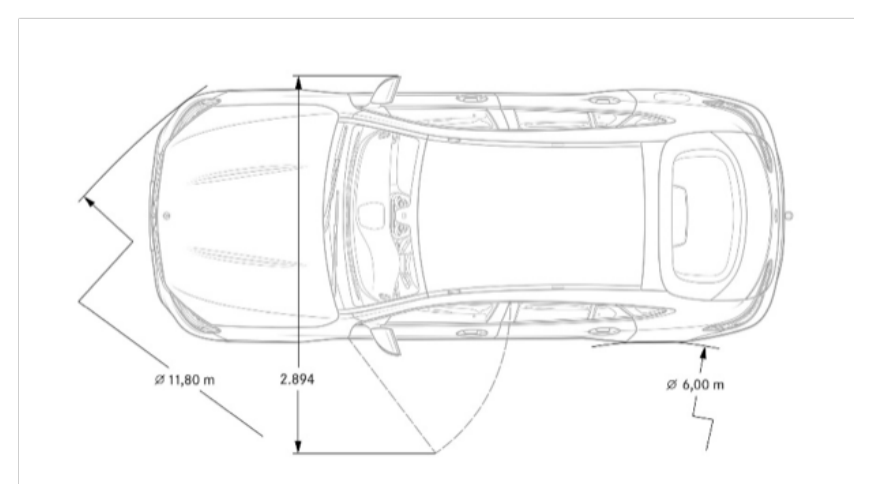
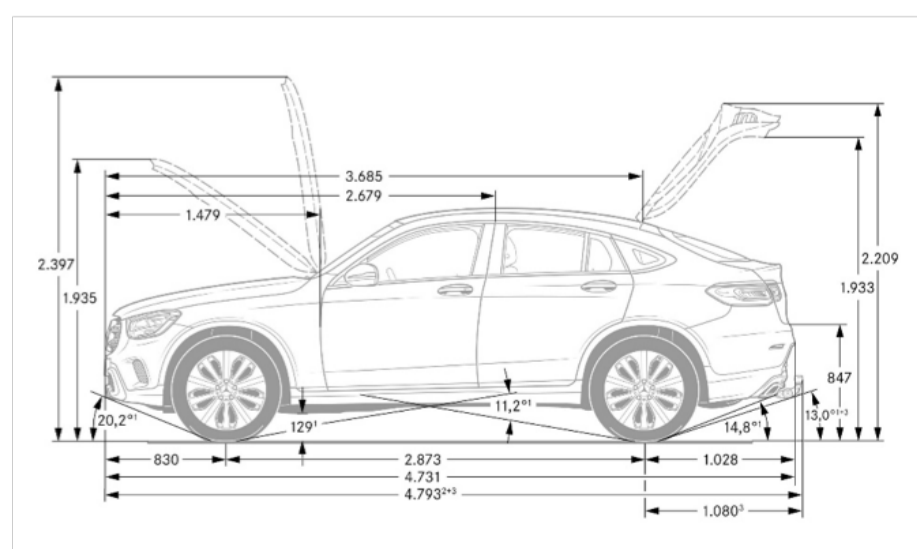
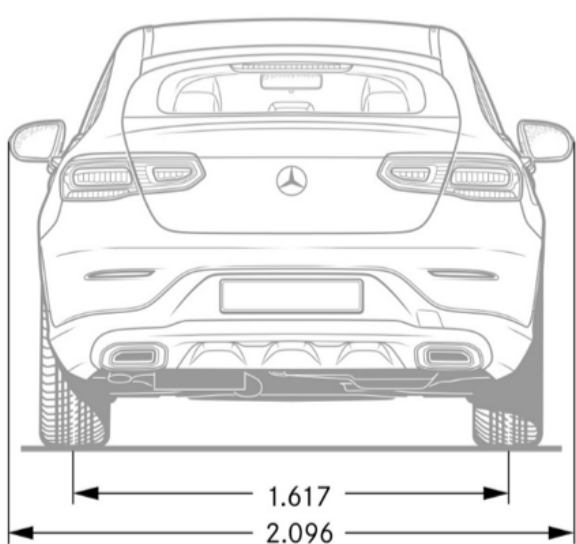
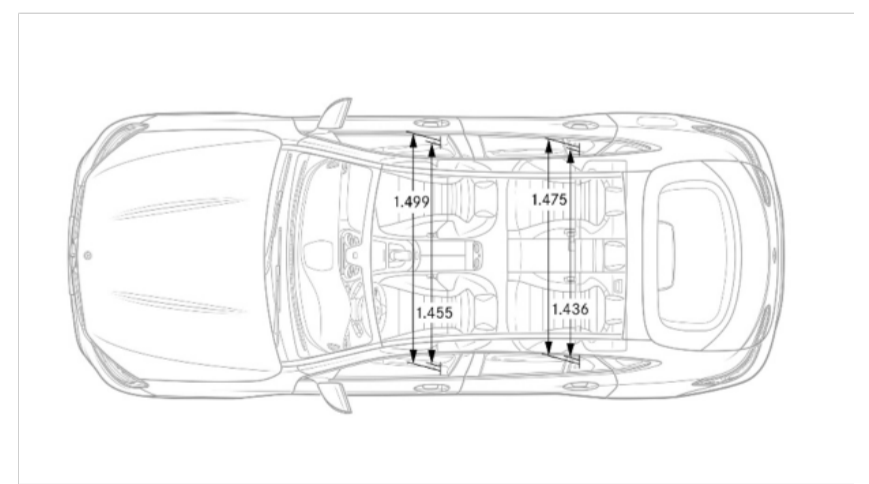
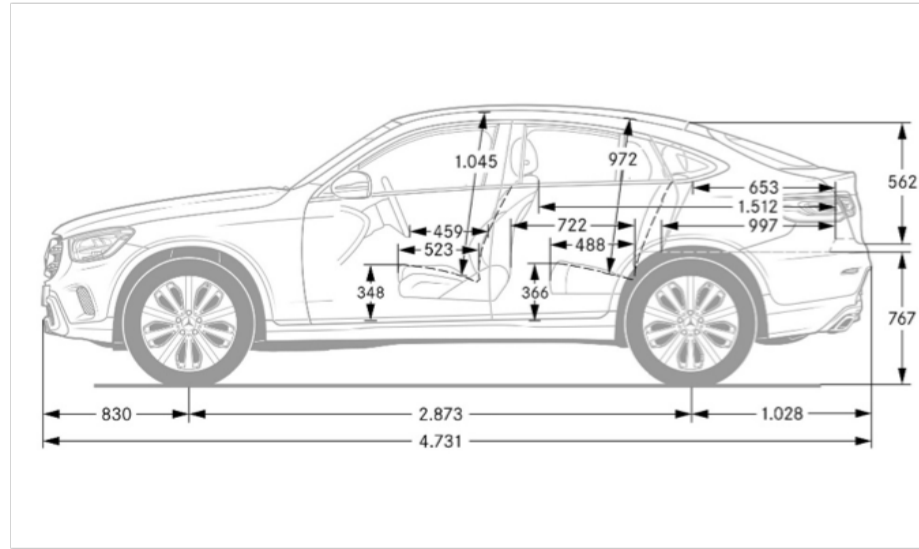
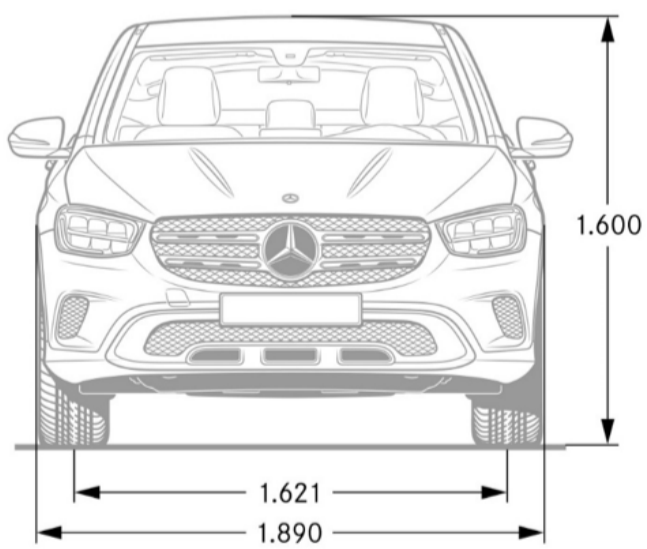
Exterior Dimensions

Vehicle Length (in.)	187.5
Vehicle Width w/ Mirrors (in.)	82.5
Vehicle Height (in.)	64
Wheelbase (in.)	113.7
Coefficient of Drag (cd)	0.27
Track Width Front/Rear (in.)	64.1/64.6
Curb Weight (lbs)	TBA

Wheels and Tires

Interior Dimensions

Trunk Size (cubic feet)	52.6
-------------------------	------



Options In Detail

Mercedes-Benz User Experience (Standard)



Extended MBUX Functions:

Say "Hey Mercedes", and your MBUX system awaits your commands. Personal profiles, predictive functions and a WiFi hotspot completely redefine the term digital networking

Many forms of interaction and personalization:

- The new GLC now includes the latest generation of MBUX (NTG 7)
- Standard 11.9" Touchscreen Media display in portrait format as a visual highlight
- Up to seven different profiles are possible in the vehicle.
- Alongside entry of the Mercedes me PIN, new biometric and interconnected authentication functions ensure a high level of security. These are fingerprint (standard), and voice recognition (standard).
- New convenience functions include prepositioning of the driver's seat and outside mirrors according to body size
- The voice assistant "Hey Mercedes" listens even more carefully, and understands the occupants even better: "Hey Mercedes" can also be controlled from the passenger seat. Several microphones help to tell the system which seat the voice is coming from.
- "Hey Mercedes" explains functions. The activation keyword "Hey Mercedes" is no longer necessary for certain applications. An incoming call can be taken direct with "Accept call", for example
- The appearance of the screens can be individualized with a choice of display styles
- Key functions such as the lights or windscreen wipers can still be operated directly. The climate control panel is permanently at the lower edge of the display

Wireless Smartphone Integration - Apple Carplay, Android Auto (Standard)



Features:

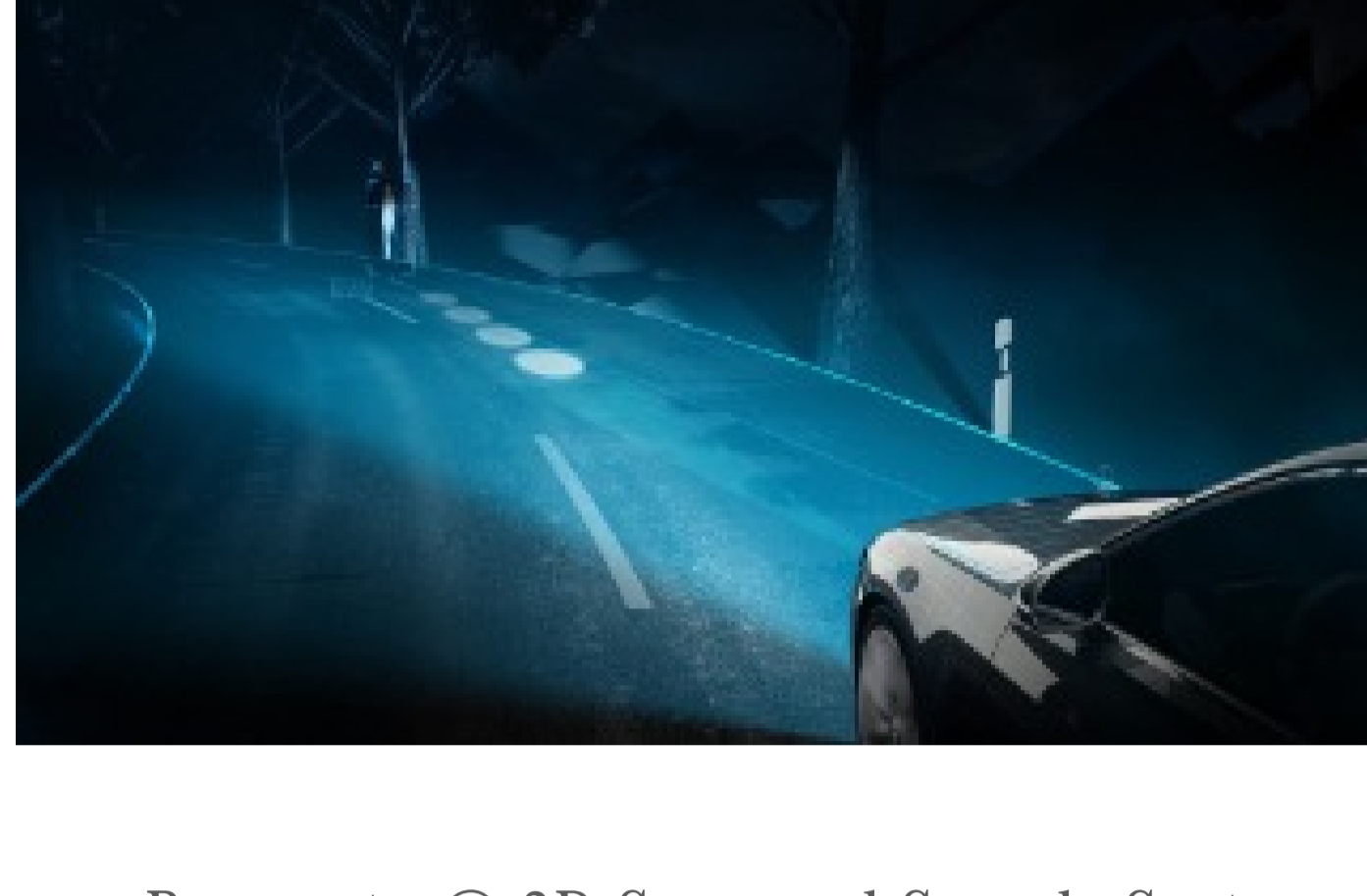
- Smartphone Integration connects the mobile phone with the multimedia system wirelessly via Apple CarPlay™ or Android Auto™. This gives you convenient access to the most important apps on your smartphone.

DIGITAL Light - PAX (in DX2)



Features:

- HD system with projection module (more than 1 million pixels per headlamp), which uses data from the camera, sensors and the navigation system to calculate the brightness value for each individual pixel in near real time
- Background module MULTIBEAM LED
- DIGITAL LIGHT projection functions, depending on local approval regulations
 - Projection function for lines (30U), for example as guide lines in roadworks
 - Projection function for symbols (42U), e.g. as a direction symbol for lane correction when departing from the lane
 - Projection function for animations (43U), light shows when opening and closing the vehicle
- Ultra Wide Highbeam with maximum headlamp range close to the maximum legally permitted
- DIGITAL LIGHT projection functions, depending on local approval regulations, currently available with partial scopes in the USA



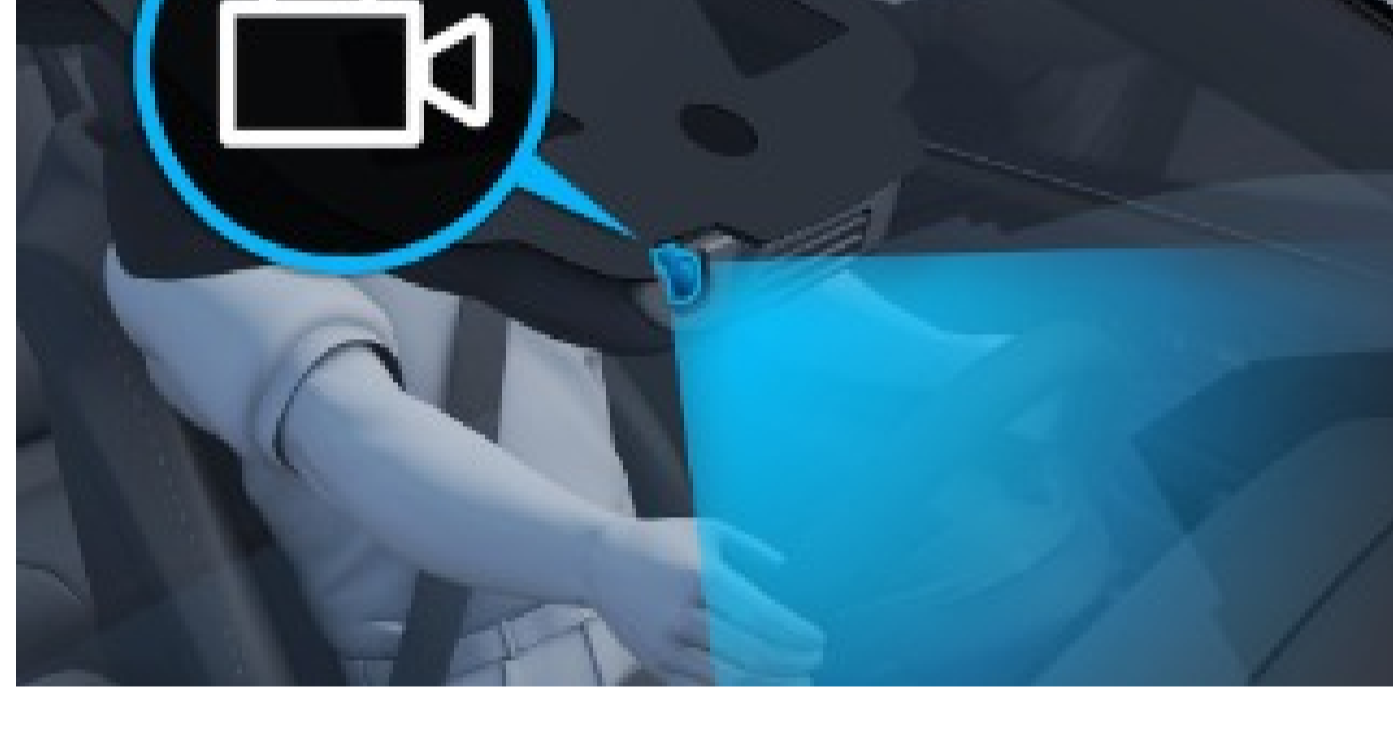
Burmester® 3D Surround Sounds System w/ Sounds Personalization & Music Streaming (Included with DX1 & DX2)



Features:

- 15 high-performance speakers tuned to match the vehicle interior and each with its own amplifier channel
- DSP amplifier with a total of 710 watts (2 x 120 watts, 7 x 50 watts, 6 x 20 watts) - Increase of 120 watts compared to the previous generation Burmester Surround Sound system.
- 2 broadband speakers in the front area for 3D sound
- Frontbass technology with subwoofers integrated into the body shell
- Sound optimisation for the front, rear or all seats
- 2 sound presets: two built-in sound presets of the 3D surround sound system, you can change the listening experience with a single touch of a button. For completely unadulterated music enjoyment without any additional effects, you can activate the "Pure" style. In "3D-Sound" mode you can also enjoy virtual surround sound with all audio signals.
- Equalizer function for setting the bass, midrange and treble frequencies
- Noise compensation (VNC)
- The design of the speakers also features metal covers, with Burmester® lettering on the speakers
- Sound Personalization (32U) - A tailor-made listening experience: with the personalization of the sound system you can easily achieve your perfect sound setup. A setup assistant with innovative algorithms identifies your music preferences together with you and sets the Burmester® sound system to match your requirements. It stores the result in your personal profile.

Dashcam - 21U (Optional - Requires DX2)



The dashcam films and saves what's happening on the road in front of your vehicle - and also records the time and speed. This can help you document the sequence of events in an accident, for example, and provide you with supporting evidence if necessary. Or you can use the dashcam to record landscapes and routes to create your own automotive travel diary.

Components:

- Camera in the windshield
- Recording of videos with a resolution of 1280 x 720 pixels (720p) and a frame rate of 30 Hz
- Recording of speed and time embedded in the video signal
- Control menu in the media display
- Footage stored via USB stick using the Media Interface
- Video material can be viewed on a computer or the media display (only possible when vehicle is stationary) - for this the storage media must first be removed from the interface and reconnected

Advanced USB Package - 72B (Optional)



Features:

- Two USB-C ports in the centre console, with fast-charging capability and suitable for data transfer
- Two USB-C ports under the front centre armrest, with fast-charging capability and suitable for data transfer
- Two USB-C ports for the rear on the centre armrest, with fast-charging capability
- Two 12 V sockets, one in the front, one in the rear
- With this package, all 6 USB ports are capable of USB Power Delivery (100W)

Note: The standard USB (75B) offering includes:

- One USB-C port in the center console, suitable for data transfer
- Two USB-C ports under the front centre armrest, suitable for data transfer
- One 12 V socket in the front
- Maximum power for all 3 USB ports is 15W

Driver Assistance Package (DA2) - In DX0, requires MB Navigation (PBG)



Features:

- The Driver Assistance Package features Level 2 automated driving. State-of-the-art driving assistance systems support the driver according to the situation in terms of speed adjustment, steering, lane changes and the risk of collision. The risk of accidents is reduced - passengers and other road users are effectively protected.
- Drivers are afforded a great degree of relief in monotonous traffic during lengthy trips, for example, and in bumper-to-bumper driving or traffic jams as well as before curves, roundabouts, T-junctions and the end of traffic jams, etc.
- The fusion of different radar, ultrasound and camera sensors, map and navigation data, and live traffic information gives the customer more functionality compared to standard/individual functions.
- **The Driver Assistance Package Includes:**
 - Active Distance Assist DISTRONIC
 - Active Speed Limit Assist with response to changing speed limits
 - Active Stop-and-Go Assist
 - Extended automatic restarting
 - Route-based speed adaptation
 - Active Steering Assist
 - Active Lane Change Assist
 - Active Emergency Stop Assist
 - Evasive Steering Assist
 - Active Blind Spot Assist with exit warning
 - Active Brake Assist with turning and cross-traffic function
 - End-of-Traffic Emergency Braking
 - PRE-SAFE® PLUS
 - PRE-SAFE® Impulse Side

Active Distance Assist DISTRONIC® - 239 (Optional)



- Simply set the desired speed. The driver assistance system maintains this speed for you. In normal driving you don't need to constantly intervene yourself by braking or accelerating if the traffic ahead requires you to do so. Depending on which drive program you are in, your vehicle accelerates faster or slower up to the desired speed.

Features:

- Automatically acting driver assistance system: maintains the defined desired speed and at the same time controls the specified distance you have preselected
- When there are vehicles in front in flowing traffic: in a speed range from 0 to 100 mph
- Without any vehicles in front: in a speed range from 12 to 100 mph
- Visual and audible warning when the driver must intervene
- Depending on the drive program, the vehicle accelerates faster or slower up to the desired speed

Guard 360° (Included with DX1 & DX2)



In addition to the features included with the standard Parking Damage Detection, Guard 360 visualises the surroundings of the parked vehicle, for example if a collision has been detected. All the cameras of the 360° camera system are triggered. The resulting images are time-stamped. These images can be viewed in the central display as well as in the Mercedes me App and can then be used for further analysis purposes.

Head-Up Display - 444 (Included with DX2)



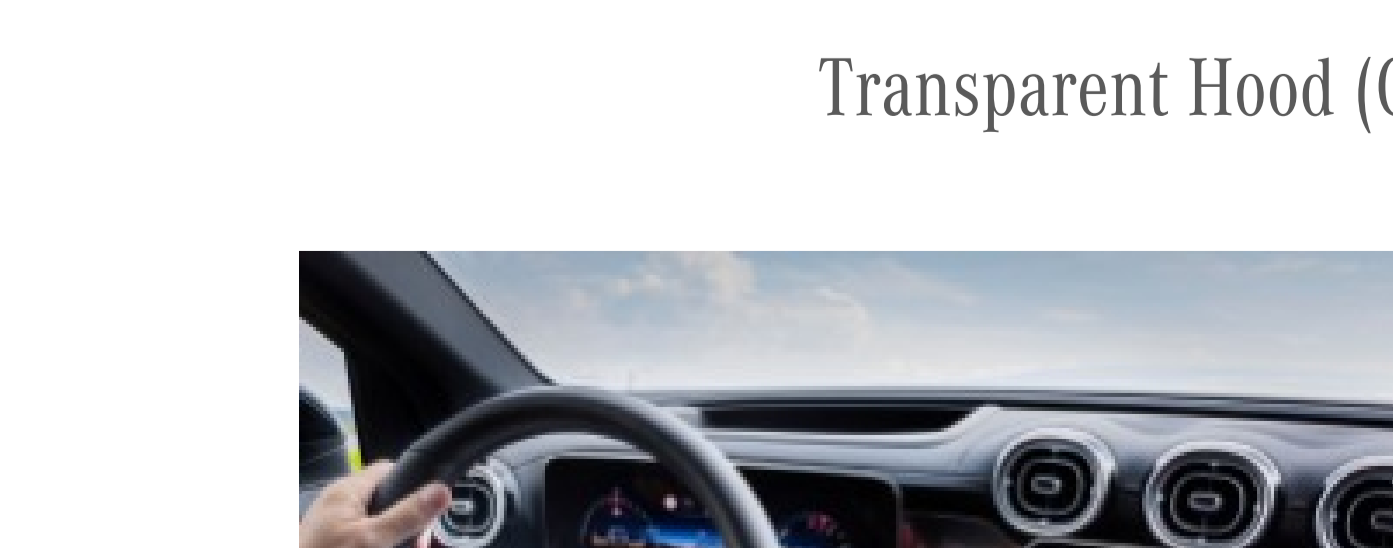
The virtual image generated by the head-up display is projected into the driver's natural field of vision and appears to hover above the hood. The information selected by the driver, for example current speed, speed limits or navigation tips, is displayed in high resolution and in color. The information is therefore also easy to see on sunny days and at night.

The positioning in the direct field of vision enhances your concentration and the good perceptibility takes the strain off your eyes. These factors have a positive effect on your alertness, particularly on long journeys. To enable you to view the projection at a suitable angle, the height of the head-up display can be adjusted. The selected setting can be stored conveniently via the optional memory function for the driver's seat.

Details:

1. A lens and mirror system projects a virtual image into the driver's field of vision above the hood and at a distance of 4.5 m
2. Image size approx. 9° x 3° (approx. 71 x 23.5 cm) with a resolution of 720 x 240 pixels
3. Presentation of information in full colour, making it clearly legible even on sunny days and at night
4. Depending on equipment, display of navigation prompts, speed, speed limits and settings for cruise control or Active Distance Assist DISTRONIC

Transparent Hood (Only with DX1 or DX2)



When the off-road mode is active, the central display shows a virtual view under the front of the vehicle, including the front wheels and their steering position. The view is composed of the images from the 360-degree camera. There are two views: under the vehicle and looking ahead. At speeds up to 5 mph the "transparent hood", i.e. the view under the vehicle, is shown. From 5 to 12 mph the system shows the view ahead. The camera image is switched off at higher speeds.



Gallery

