





# Table of Contents

1	<a href="#">General Information</a>
2	<a href="#">What's New</a>
3	<a href="#">Models</a>
4	<a href="#">Equipment</a>
4.1	<a href="#">Standard Equipment</a>
4.2	<a href="#">Exterior Paint Colors</a>
4.3	<a href="#">Wheels</a>
4.4	<a href="#">Interior Upholstery</a>
4.6	<a href="#">Interior Trims</a>
4.7	<a href="#">Packages</a>
4.8	<a href="#">Options</a>
4.9	<a href="#">Specifications</a>
5	<a href="#">Options In Detail</a>
6	<a href="#">Gallery</a>
7	<a href="#">Sales Hub</a>



# General Information

## Important Note

The information presented in this guide is based on the most current information available and is intended for internal use only. Mercedes-Benz reserves the right to make changes at any time, without notice, to colors, materials, equipment, special specifications and models.

Pricing may not yet be finalized for some models or options.

Due to variances among monitors and printers the colors that appear on your screen and printouts may not be exact.

For illustrative purposes, some images may show vehicles with European Specification.

## Revision History

Date	Description
05/22/2024	GLC 350e SUV available for ordering
05/22/2024	New AMG Lite Pkg (DG0) offering now available
04/25/2024	Initial publication.



# What's New

## *Standard Equipment*

- Center Airbag
- Preinstallation for Digital Vehicle Key
- 3rd Generation MBUX
- 5G Communication Module

## *Paint*

- MANUFAKTUR Alpine Grey (956)
- Nautical Blue Metallic (595) discontinued
- Verde Silver Metallic (188)
- Mojave Silver Metallic (859) discontinued

## *Optional Equipment*

- MB-TeX Steering Wheel (L3M)

## *Wheels*

- AMG Lite 20" Multispoke Wheels, Black (RVV)
- AMG Lite 20" Multispoke Wheels (RVU)

## *Packages*

- AMG Lite Pkg (DG0)



# Models



## ***GLC300W (254.646)***

- MSRP: TBD
- Transmission: 9G-TRONIC
- Transmission Speeds: 9
- Acceleration: 6.2
- Engine Configuration: 2.0L Inline-4 Turbo w/ 48V Mild Hybrid System
- Power (hp): 255 hp (ICE), 23 hp (ISG)
- Torque (lb-ft): 295 lb-ft (ICE), 148 lb-ft (ISG)
- Launch Date: Summer 2024



## ***GLC300W4 (254.647)***

- MSRP: TBD
- Transmission: 9G-TRONIC
- Transmission Speeds: 9
- Acceleration: 6.2
- Engine Configuration: 2.0L Inline-4 Turbo w/ 48V Mild Hybrid System
- Power (hp): 255 hp (ICE), 23 hp (ISG)
- Torque (lb-ft): 295 lb-ft (ICE), 148 lb-ft (ISG)
- Launch Date: Summer 2024



## ***GLC350E4 (254.656)***

- MSRP: TBD
- Transmission: 9G-TRONIC
- Transmission Speeds: 9
- Acceleration: 6.2
- Engine Configuration: 2.0L Inline-4 Turbo Plug-In Hybrid
- Power (hp): 201 hp (ICE) + 134 hp (Electric), 313 hp (Combined)
- Torque (lb-ft): 236 lb-ft (ICE) + 325 lb-ft (Electric), 406 lb-ft (Combined)
- Launch Date: Summer 2024



# Standard Equipment

GLC300W



## *Performance & Handling*

- 2.0L Inline-4 Turbo Engine with 48V Mild-Hybrid
- Rear Wheel Drive
- DYNAMIC SELECT
- 9G-TRONIC 9-Speed Automatic Transmission
- ECO Start/Stop System
- Independent Front/Rear Suspension

## *Comfort & Convenience*

- 382 5G Communication Module
- 896 Preinstallation for Digital Key
- 464 12.3" Digital Instrument Cluster
- 275 16-Way Power Front Seats with Memory, Lumbar, and Thigh extension
- 889 KEYLESS-GO
- Bluetooth® Technology (for Handsfree Phone Use/Audio Streaming)
- 580 Dual-Zone Automatic Climate Control
- 428 Steering Wheel Shift Paddles
- 517 HD Radio
- 440 Electronic Cruise Control
- 30P Storage Package
- 345 Rain Sensing Wipers
- 287 Split-Folding Rear Seats (40/20/40)
- 17U Wireless Android Auto
- 321 Fingerprint Scanner
- 587 Mirror Logo Projector
- KEYLESS-GO w/ HANDS FREE ACCESS
- 528 3rd Generation MBUX
- 868 11.9" Center Touchscreen Display
- 873 Heated Front Seats
- 893 KEYLESS-START
- 890 Power Liftgate
- 75B Three USB-C Ports
- L3E Multifunction leather steering wheel w/ Capacitive Buttons
- Power Tilt & Telescoping Steering Column
- Frontbass® Audio System
- Power Windows with Express Up and Down
- 232 Garage Door Opener
- 249 Auto-Dimming Rearview Mirror
- 16U Wireless AppleCarplay
- 891 Ambient Lighting
- 897 Inductive Wireless Charging
- 536 SiriusXM Satellite Radio

## *Safety & Security*

- New Vehicle 4 Year/50,000 Mile Warranty
- Blind Spot Assist (234)
- PRE-SAFE® now w/ PRE-SAFE Sound
- 3-point Seat Belt with Pretensioners & Dual-Stage Belt Force Limiter
- Front Dual-Stage Airbags
- Front Side Airbags
- Rearview Camera
- ATTENTION ASSIST Driver Drowsiness Monitor
- PARKTRONIC w/ Active Parking Assist
- GUARD 360 Monitoring
- 24h Roadside Assistance Program
- LED Headlamps and Taillamps
- Active Brake Assist
- Center Airbag
- Front and Rear Side Window Airbags
- Driver Kneebag
- ISOFIX Anchor and Tether System
- Tire Pressure Monitoring System
- Adaptive Highbeam Assist



*Performance & Handling*

- 2.0L Inline-4 Turbo Engine with 48V Mild-Hybrid
- 4MATIC® Permanent All-Wheel Drive
- DYNAMIC SELECT
- 9G-TRONIC 9-Speed Automatic Transmission
- ECO Start/Stop System
- Independent Front/Rear Suspension

*Comfort & Convenience*

- 3rd Generation MBUX
- 896 Preinstallation for Digital Key
- 464 12.3" Digital Instrument Cluster
- 275 16-Way Power Front Seats with Memory, Lumbar, and Thigh extension
- 889 KEYLESS-GO
- Bluetooth® Technology (for Handsfree Phone Use/Audio Streaming)
- 580 Dual-Zone Automatic Climate Control
- 428 Steering Wheel Shift Paddles
- 517 HD Radio
- 440 Electronic Cruise Control
- 30P Storage Package
- 345 Rain Sensing Wipers
- 287 Split-Folding Rear Seats (40/20/40)
- 16U Wireless AppleCarplay
- 891 Ambient Lighting
- 897 Inductive Wireless Charging
- 536 SiriusXM Satellite Radio
- 382 5G Communication Module
- 868 11.9" Center Touchscreen Display
- 873 Heated Front Seats
- 893 KEYLESS-START
- 890 Power Liftgate
- 75B Three USB-C Ports
- L3E Multifunction leather steering wheel w/ Capacitive Buttons
- Power Tilt & Telescoping Steering Column
- Frontbass® Audio System
- Power Windows with Express Up and Down
- 232 Garage Door Opener
- 249 Auto-Dimming Rearview Mirror
- USB-C Adapter Cable
- 17U Wireless Android Auto
- 321 Fingerprint Scanner
- 587 Mirror Logo Projector
- KEYLESS-GO w/ HANDS FREE ACCESS

*Safety & Security*

- New Vehicle 4 Year/50,000 Mile Warranty
- Blind Spot Assist (234)
- PRE-SAFE® now w/ PRE-SAFE Sound
- Active Brake Assist
- Center Airbag
- Front and Rear Side Window Airbags
- Driver Kneebag
- ISOFIX Anchor and Tether System
- Tire Pressure Monitoring System
- GUARD 360 Monitoring
- 24h Roadside Assistance Program
- LED Headlamps and Taillamps
- PARKTRONIC w/ Active Parking Assist
- 3-point Seat Belt with Pretensioners & Dual-Stage Belt Force Limiter
- Front Dual-Stage Airbags
- Front Side Airbags
- Rearview Camera
- ATTENTION ASSIST Driver Drowsiness Monitor
- Adaptive Highbeam Assist



*Performance & Handling*

- 2.0L Inline-4 Turbo Plug-In Hybrid
- 4MATIC® Permanent All-Wheel Drive
- Self-Leveling Suspension
- 24.8 kWh Battery
- 9G-TRONIC 9-Speed Automatic Transmission
- Combined Output - 313 hp, 406 lb-ft
- DYNAMIC SELECT

*Comfort & Convenience*

- 3rd Generation MBUX
- 896 Preinstallation for Digital Key
- 464 12.3" Digital Instrument Cluster
- 275 16-Way Power Front Seats with Memory, Lumbar, and Thigh extension
- 889 KEYLESS-GO
- Bluetooth® Technology (for Handsfree Phone Use/Audio Streaming)
- 580 Dual-Zone Automatic Climate Control
- 428 Steering Wheel Shift Paddles
- 517 HD Radio
- 440 Electronic Cruise Control
- 30P Storage Package
- 345 Rain Sensing Wipers
- 287 Split-Folding Rear Seats (40/20/40)
- 16U Wireless AppleCarplay
- 891 Ambient Lighting
- 897 Inductive Wireless Charging
- 536 SiriusXM Satellite Radio
- 382 5G Communication Module
- 868 11.9" Center Touchscreen Display
- 873 Heated Front Seats
- 893 KEYLESS-START
- 890 Power Liftgate
- 75B Three USB-C Ports
- L3E Multifunction leather steering wheel w/ Capacitive Buttons
- Power Tilt & Telescoping Steering Column
- Frontbass® Audio System
- Power Windows with Express Up and Down
- 232 Garage Door Opener
- 249 Auto-Dimming Rearview Mirror
- USB-C Adapter Cable
- 17U Wireless Android Auto
- 321 Fingerprint Scanner
- 587 Mirror Logo Projector
- KEYLESS-GO w/ HANDS FREE ACCESS

*Safety & Security*

- New Vehicle 4 Year/50,000 Mile Warranty
- Blind Spot Assist (234)
- PRE-SAFE® now w/ PRE-SAFE Sound
- Active Brake Assist
- Center Airbag
- Front and Rear Side Window Airbags
- Driver Kneebag
- ISOFIX Anchor and Tether System
- Tire Pressure Monitoring System
- GUARD 360 Monitoring
- 24h Roadside Assistance Program
- LED Headlamps and Taillamps
- PARKTRONIC w/ Active Parking Assist
- 3-point Seat Belt with Pretensioners & Dual-Stage Belt Force Limiter
- Front Dual-Stage Airbags
- Front Side Airbags
- Rearview Camera
- ATTENTION ASSIST Driver Drowsiness Monitor
- Adaptive Highbeam Assist





# Paint

## Non-Metallic Paints



040 - Black



149 - Polar White

## Metallic Paints



197 - Obsidian Black Metallic



188 - Verde Silver Metallic



970 - Starling Blue Metallic



922 - Cirrus Silver Metallic



831 - Graphite Grey Metallic

## MANUFAKTUR Paints



993 - MANUFAKTUR Patagonia Red Metallic



885 - MANUFAKTUR Moonlight White Metallic



818 - MANUFAKTUR Graphite Grey Magno



956 - MANUFAKTUR Alpine Grey

Code	Description	Availability	Price
040	Black	All Models	\$0
149	Polar White	All Models	\$0
197	Obsidian Black Metallic	All Models	\$750
188 (New)	Verde Silver Metallic	All Models	\$750
970	Starling Blue Metallic	All Models	\$750
922	Cirrus Silver Metallic	All Models	\$750
831	Graphite Grey Metallic	All Models	\$750
993	MANUFAKTUR Patagonia Red Metallic	All Models	\$1,750
885	MANUFAKTUR Moonlight White Metallic	All Models	\$1,750
818	MANUFAKTUR Graphite Grey Magno	All Models	\$3,250
956 (New)	MANUFAKTUR Alpine Grey	All Models	\$3,250





# Wheels



### R41 - 18" 10 Spoke Wheels

Not available for GLC 350e  
18"  
R02, 690 (Minispare)  
10-Spoke Wheels  
235/60 R18 on 8 J x 18 ET 32.5



### R38 - 18" 5-Twin Spoke Wheels

Not available for GLC 350e  
18"  
R02, 690 (Minispare)  
5-Twin Spoke Wheels  
235/60 R18 on 8 J x 18 ET 32.5



### 78R - 19" Multispoke Wheels

Not available for GLC 350e  
19"  
R02, 690 (Minispare)  
Multispoke Wheels  
235/55 R19 on 8 J x 19 ET 32.5



### R42 - 20" Multispoke Wheels

Not available for GLC 350e  
20"  
R01, 690 (Minispare)  
Multispoke Wheels  
255/45 R20 on 8.5 J x 20 ET 34.5



### RRE - AMG 19" 5-Spoke Wheels w/ Black Accents

For GLC350E4, Extended Mobility Tires (R66) replaces spare wheel (690). Requires AMG Line (DG3)  
19"  
R02, 690 (Minispare)  
AMG 5-Spoke Wheels with Black Accents  
235/55 R19 on 8 J x 19 ET 32.5 (Front)  
255/50 R19 on 9 J x 19 ET 30 (Rear)



### RRN - AMG 20" 5-Spoke Wheels, w/ Black Accents

For GLC350E4, TIREFIT (B51) replaces spare wheel (690). Requires AMG Line (DG3)  
20"  
R01, 690 (Minispare)  
AMG 5-Spoke Wheels with Black Accents  
255/45 R20 on 8.5 J x 20 ET 34.5 (Front)  
285/40 R20 on 9.5 J x 20 ET 35.5 (Rear)



### RVO - AMG 20" Multispoke Wheels, w/ Black Accents

For GLC350E4, TIREFIT (B51) replaces spare wheel (690). Requires AMG Line (DG3)  
20"  
R01, 690 (Minispare)  
AMG Multispoke Wheels with Black Accents  
255/45 R20 on 8.5 J x 20 ET 34.5 (Front)  
285/40 R20 on 9.5 J x 20 ET 35.5 (Rear)



### RVP - AMG 20" Multispoke Wheels Black

For GLC350E4, TIREFIT (B51) replaces spare wheel (690). Requires AMG Line (DG3)  
20"  
R01, 690 (Minispare)  
AMG Multispoke Wheels Black  
255/45 R20 on 8.5 J x 20 ET 34.5 (Front)  
285/40 R20 on 9.5 J x 20 ET 35.5 (Rear)



### RVU - AMG Lite 20" Multispoke Wheels

Requires AMG Lite Pkg (DG0) Not in combination with DX2, DA2, DG3. Not available with GLC 350e.  
20"  
R01, 690 (Minispare)  
AMG Lite Multispoke Wheels with Black Accents  
255/45 R 20 on 8.5 J x 20 ET 34.5



### RVV - AMG Lite 20" Multispoke Wheels Black

Requires AMG Lite (DG0) not in combination with DX2, DA2, DG3. Not available with GLC 350e.  
20"  
R01, 690 (Minispare)  
AMG Lite Multispoke Wheels Black  
255/45 R 20 on 8.5 J x 20 ET 34.5



### R17 - 19" 5-Twin-Spoke Wheels

Only available with GLC350e  
19"  
R02  
5-Twin-Spoke Wheels  
245/40 R19 on 8.0 J x 19 ET 45.1 wheels (front) and 275/35 R19 on 9.0 J x 19 ET 60.5 wheels (rear)



### R32 - 18" 5-Spoke Wheels

Only available with GLC350e  
18"  
R02  
5-Twin Spoke Wheels  
235/60 R18 on 8.0 J x 18 ET 32.5 (front) and 255/55 R18 on 9.0 J x 18 ET 30 (rear)

Code	Wheel Size	Description	Wheel Dimensions	Mobility	Availability	MSRP
R41	18"	10-Spoke Wheels Not available for GLC 350e	235/60 R18 on 8 J x 18 ET 32.5	R02, 690 (Minispare)	GLC300W, GLC300W4	\$0
R38	18"	5-Twin Spoke Wheels Not available for GLC 350e	235/60 R18 on 8 J x 18 ET 32.5	R02, 690 (Minispare)	GLC300W, GLC300W4	\$0
78R	19"	Multispoke Wheels Not available for GLC 350e	235/55 R19 on 8 J x 19 ET 32.5	R02, 690 (Minispare)	GLC300W, GLC300W4	\$600
R42	20"	Multispoke Wheels Not available for GLC 350e	255/45 R20 on 8.5 J x 20 ET 34.5	R01, 690 (Minispare)	GLC300W, GLC300W4	\$850
RRE	19"	AMG 5-Spoke Wheels with Black Accents For GLC350E4, Extended Mobility Tires (R66) replaces spare wheel (690). Requires AMG Line (DG3)	235/55 R19 on 8 J x 19 ET 32.5 (Front) 255/50 R19 on 9 J x 19 ET 30 (Rear)	R02, 690 (Minispare)	All Models	\$0
RRN	20"	AMG 5-Spoke Wheels with Black Accents For GLC350E4, TIREFIT (B51) replaces spare wheel (690). Requires AMG Line (DG3)	255/45 R20 on 8.5 J x 20 ET 34.5 (Front) 285/40 R20 on 9.5 J x 20 ET 35.5 (Rear)	R01, 690 (Minispare)	All Models	\$850
RVO	20"	AMG Multispoke Wheels with Black Accents For GLC350E4, TIREFIT (B51) replaces spare wheel (690). Requires AMG Line (DG3)	255/45 R20 on 8.5 J x 20 ET 34.5 (Front) 285/40 R20 on 9.5 J x 20 ET 35.5 (Rear)	R01, 690 (Minispare)	All Models	\$850
RVP	20"	AMG Multispoke Wheels Black For GLC350E4, TIREFIT (B51) replaces spare wheel (690). Requires AMG Line (DG3)	255/45 R20 on 8.5 J x 20 ET 34.5 (Front) 285/40 R20 on 9.5 J x 20 ET 35.5 (Rear)	R01, 690 (Minispare)	All Models	\$850
RVU	20"	AMG Lite Multispoke Wheels with Black Accents Requires AMG Lite Pkg (DG0) Not in combination with DX2, DA2, DG3. Not available with GLC 350e.	255/45 R 20 on 8.5 J x 20 ET 34.5	R01, 690 (Minispare)	GLC300W, GLC300W4	\$0
RVV	20"	AMG Lite Multispoke Wheels Black Requires AMG Lite (DG0) not in combination with DX2, DA2, DG3. Not available with GLC 350e.	255/45 R 20 on 8.5 J x 20 ET 34.5	R01, 690 (Minispare)	GLC300W, GLC300W4	\$250
R17 (New)	19"	5-Twin-Spoke Wheels Only available with GLC350e	245/40 R19 on 8.0 J x 19 ET 45.1 wheels (front) and 275/35 R19 on 9.0 J x 19 ET 60.5 wheels (rear)	R02	GLC350E4	\$0
R32 (New)	18"	5-Twin Spoke Wheels Only available with GLC350e	235/60 R18 on 8.0 J x 18 ET 32.5 (front) and 255/55 R18 on 9.0 J x 18 ET 30 (rear)	R02	GLC350E4	\$0





# Upholstery

## MB Tex



**101 - Black MB-Tex**

Not available with AMG Line (DG3)



**105 - Macchiato Beige MB-Tex**

Not available with AMG Line (DG3)



**104 - Sienna Brown MB-Tex**

Not available with AMG Line (DG3)



**111 - AMG Black MB-Tex**

Requires AMG Line (DG3)



**194 - AMG Sienna Brown/Black MB-Tex**

Requires AMG Line (DG3). Not available in combination with Starling Blue Metallic (970) or MANUFAKTUR Patagonia Red Metallic (993)



**118 - AMG Neva Grey MB-Tex**

Requires AMG Line (DG3)

## Leather



**201 - Black Leather**

Not available with AMG Line (DG3)



**205 - Macchiato Beige Leather**

Not available with AMG Line (DG3)



**211 - AMG Black Leather**

Requires AMG Line (DG3)



**294 - AMG Sienna Brown/Black Leather**

Requires AMG Line (DG3). Not available in combination with Starling Blue Metallic (970) or MANUFAKTUR Patagonia Red Metallic (993)



**297 - AMG Power Red/Black Leather**

Requires AMG Line (DG3) Not available with Starling Blue Metallic (970) or Nautical Blue Metallic (595)

## Nappa Leather



**801 - Black Nappa Leather**



**804 - Sienna Brown Nappa Leather**

Not available in combination with Starling Blue Metallic (970) or MANUFAKTUR Patagonia Red Metallic (993)

## Fabric Headliners



**51U - Black Fabric Headliner**

Available with all upholsterys  
Required by AMG Line (DG3)



**58U - Crystal Grey Fabric Headliner**

Available with Black MB-Tex (101), Black Leather (201). Not available with AMG Line (DG3)



<i>Code</i>	<i>Description</i>	<i>Availability</i>	<i>Price</i>
101	Black MB-TEX Not available with AMG Line (DG3)	All Models	\$0
105	Macchiato Beige MB-TEX Not available with AMG Line (DG3)	All Models	\$0
104	Sienna Brown MB-TEX Not available with AMG Line (DG3)	All Models	\$0
111	AMG Black MB-TEX Requires AMG Line (DG3)	All Models	\$0
194	AMG Sienna Brown/Black MB-TEX Requires AMG Line (DG3). Not available in combination with Starling Blue Metallic (970) or MANUFAKTUR Patagonia Red Metallic (993)	All Models	\$0
118	AMG Neva Grey MB-TEX Requires AMG Line (DG3)	All Models	\$0
201	Black Leather Not available with AMG Line (DG3)	All Models	\$1,620
205	Macchiato Beige Leather Not available with AMG Line (DG3)	All Models	\$1,620
211	AMG Black Leather Requires AMG Line (DG3)	All Models	\$1,620
294	AMG Sienna Brown/Black Leather Requires AMG Line (DG3). Not available in combination with Starling Blue Metallic (970) or MANUFAKTUR Patagonia Red Metallic (993)	All Models	\$1,620
297	AMG Power Red/Black Leather Requires AMG Line (DG3) Not available with Starling Blue Metallic (970) or Nautical Blue Metallic (595)	All Models	\$1,620
801	Black Nappa Leather	All Models	\$2,590
804	Sienna Brown Nappa Leather Not available in combination with Starling Blue Metallic (970) or MANUFAKTUR Patagonia Red Metallic (993)	All Models	\$2,590
51U	Black Fabric Headliner	All Models	\$0
58U	Crystal Grey Fabric Headliner	All Models	\$0

<i>Code</i>	<i>Upholstery</i>	<i>Seats</i>	<i>Floor Mats</i>	<i>Upper Dash/Lower Dash</i>	<i>Seat Belts</i>	<i>Steering Wheel</i>	<i>Headliner</i>
101	Black MB-TEX Not available with AMG Line (DG3)	Black	Black	Black	Black	Black	Black or Crystal Grey
105	Macchiato Beige MB-TEX Not available with AMG Line (DG3)	Macchiato Beige	Black	Black/Macchiato Beige	Black	Black	Black
104	Sienna Brown MB-TEX Not available with AMG Line (DG3)	Sienna Brown	Black	Black	Black	Black	Black
111	AMG Black MB-TEX Requires AMG Line (DG3)	Black	Black	Black	Black	Black	Black
194	AMG Sienna Brown/Black MB-TEX Requires AMG Line (DG3). Not available in combination with Starling Blue Metallic (970) or MANUFAKTUR Patagonia Red Metallic (993)	Sienna Brown/Black	Black	Black	Black	Black	Black
118	AMG Neva Grey MB-TEX Requires AMG Line (DG3)	Neva Grey	Black	Black	Black	Black	Black
201	Black Leather Not available with AMG Line (DG3)	Black	Black	Black	Black	Black	Black or Crystal Grey
205	Macchiato Beige Leather Not available with AMG Line (DG3)	Macchiato Beige	Black	Black/Macchiato Beige	Black	Black	Black or Crystal Grey
211	AMG Black Leather Requires AMG Line (DG3)	Black	Black	Black	Black	Black	Black
294	AMG Sienna Brown/Black Leather Requires AMG Line (DG3). Not available in combination with Starling Blue Metallic (970) or MANUFAKTUR Patagonia Red Metallic (993)	Sienna Brown/Black	Black	Black	Black	Black	Black
297	AMG Power Red/Black Leather Requires AMG Line (DG3) Not available with Starling Blue Metallic (970) or Nautical Blue Metallic (595)	Power Red/Black	Black	Black	Black	Black	Black
801	Black Nappa Leather	Black	Black	Black	Black	Black	Black
804	Sienna Brown Nappa Leather Not available in combination with Starling Blue Metallic (970) or MANUFAKTUR Patagonia Red Metallic (993)	Sienna Brown	Black	Black	Black	Black	Black
51U	Black Fabric Headliner						
58U	Crystal Grey Fabric Headliner						



# Trims



## H03 - Glossy Brown Ash Wood

Only with Piano Black Lacquer Center Console (757)



## H04 - Natural Grain Black Wood w/ Aluminum Lines

Only with Metal Weave Center Console (795) or Piano Black Lacquer Center Console (757)



## H33 - Natural Grain Walnut Wood

Only with Piano Black Lacquer Center Console (757)



## H08 - Fineline Anthracite Wood

Only with Metal Weave Center Console (795) or Piano Black Lacquer Center Console (757)



## H50 - Silver Diamond Pattern

Only with Silver Diamond Pattern Center Console (794)



## H64 - Metal Weave

Only with Metal Weave Center Console (795)



## 757 - Piano Black Lacquer Center Console



## 794 - Silver Diamond Pattern Center Console



## 795 - Metal Weave Center Console

<i>Code</i>	<i>Description</i>	<i>Availability</i>	<i>Price</i>
H03	Glossy Brown Ash Wood Only with Piano Black Lacquer Center Console (757)	All Models	\$0
H04	Natural Grain Black Wood w/ Aluminum Lines Only with Metal Weave Center Console (795) or Piano Black Lacquer Center Console (757)	All Models	\$200
H33	Natural Grain Walnut Wood Only with Piano Black Lacquer Center Console (757)	All Models	\$0
H08	Fineline Anthracite Wood Only with Metal Weave Center Console (795) or Piano Black Lacquer Center Console (757)	All Models	\$0
H50	Silver Diamond Pattern Only with Silver Diamond Pattern Center Console (794)	All Models	\$0
H64	Metal Weave Only with Metal Weave Center Console (795)	All Models	\$0
757	Piano Black Lacquer Center Console	All Models	\$0
794	Silver Diamond Pattern Center Console	All Models	\$0
795	Metal Weave Center Console	All Models	\$0





# Packages

<i>Code</i>	<i>Packages</i>	<i>Availability</i>	<i>MSRP</i>
DX1	<p>Exclusive Trim</p> <ul style="list-style-type: none"> <li>▪ P82 - GUARD 360 w/ Picture Taking Functionality</li> <li>▪ 810 - Burmester 3D Surround Sound System (incl. 22U Music Streaming &amp; 32U Sound Personalization)</li> <li>▪ U25 - Illuminated Door Sills</li> <li>▪ PBG - MB Navigation</li> <li>▪ 894 - Enhanced Ambient Lighting</li> <li>▪ P47 - Surround View System</li> </ul>	All Models	\$2,000
DX2	<p>Pinnacle Trim</p> <p>Includes DX1 content</p> <ul style="list-style-type: none"> <li>▪ 444 - Head-Up Display</li> <li>▪ 851 - Heat &amp; Noise insulating glass</li> <li>▪ PAX - DIGITAL LIGHT with Projections</li> </ul>	All Models	\$4,250
DA2	<p>Driver Assistance Package</p> <p>For Premium Trim (DX0), requires MB Navigation (PBG)</p> <ul style="list-style-type: none"> <li>▪ 300 - PRE-SAFE® Brake with Pedestrian Recognition</li> <li>▪ P20 - Driver Assistance Package Plus</li> <li>▪ Route-Based Speed Adaptation</li> <li>▪ 292 - PRE-SAFE® IMPULSE SIDE</li> <li>▪ 253 - PRE-SAFE® PLUS</li> <li>▪ 546 - Active Speed Limit Assist</li> <li>▪ K46 - Automatic Lane Change</li> <li>▪ 243 - Active Lane Change Assist</li> <li>▪ 233 - DISTRONIC PLUS with Steering Assist and Stop &amp; Go Assist</li> <li>▪ 268 - BAS PLUS with Cross-Traffic Assist</li> </ul>	All Models	\$1,950
DG3	<p>AMG Line</p> <ul style="list-style-type: none"> <li>▪ P31 - AMG Line Exterior</li> <li>▪ U34 - MB-Tex instrument panel and beltlines in black nappa look</li> <li>▪ U29 - Perforated Brake Discs with Mercedes-Benz Lettered Calipers</li> <li>▪ 772 - AMG Line Body Styling</li> <li>▪ U26 - AMG Line Floor Mats</li> <li>▪ 319 - Wheel arch trim painted in body color</li> <li>▪ L5C - Flat-Bottom Multifunction Sport Steering Wheel</li> <li>▪ P29 - AMG Line Interior</li> </ul>	All Models	\$3,450
DC1	<p>Night Package</p> <p>Requires AMG Line</p> <ul style="list-style-type: none"> <li>▪ 720 - Black Roof Rails</li> <li>▪ P55 - High-Gloss Black Elements: Front wing, grille lamellas, rear diffuser insert, exterior mirrors, beltline and window trim</li> </ul>	All Models	\$200
DG0 (New)	<p>AMG Lite</p> <p>Not available in combination with - AMG Pkg (DG3), Night Pkg (DC1), Pinnacle Pkg (DX2), Leather / Nappa Leather Upholsteries (200s/800s) or MANUFAKTUR Paints</p> <ul style="list-style-type: none"> <li>▪ D11 - Rear Spoiler, Body Color</li> <li>▪ RVU - AMG 20" Multispoke Wheels</li> <li>▪ RVV - AMG 20" Multispoke Wheel, Black (+250)</li> </ul>	GLC300W, GLC300W4	\$2,150
PAV	<p>Winter Package</p> <ul style="list-style-type: none"> <li>▪ 443 - Heated Steering Wheel</li> <li>▪ 875 - Heated Windshield Washer System</li> </ul>	GLC300W	\$450





# Options

## Factory Options

<i>Code</i>	<i>Options</i>	<i>Availability</i>	<i>MSRP</i>
293	Rear Side Airbags	All Models	\$700
401	Ventilated Front Seats Not available with leather upholstery	All Models	\$450
413	Panorama Sunroof	All Models	\$1,500
550	Trailer Hitch - Class II	All Models	\$575
846	Brushed Aluminum Running Boards	All Models	\$650
872	Heated Rear Seats	All Models	\$500
239	Active Distance Assist DISTRONIC	All Models	\$600
72B	Advanced USB Package	All Models	\$220
PBG	MB Navigation Only available with Premium Trim (DX0)	All Models	\$675
894	Enhanced Ambient Lighting Limited Availability	All Models	\$650
L3M (New)	MB-TEX Steering Wheel Only available with MB-TEX Upholstery. Not available in combination with AMG Line.	GLC300W	\$0
443	Heated Steering Wheel Requires Winter Package (PAV)	GLC300W4, GLC350E4	\$250



## VPC Installed Options

<i>Code</i>	<i>Options</i>	<i>Availability</i>	<i>MSRP</i>
D03	Illuminated Star Not available in combination with Driver Assistance Package (DA2)	All Models	\$500
D07	Wheel Locking Bolts	All Models	\$160
D08	Door Handle Inserts, Chrome	All Models	\$100
D11	Roof Spoiler, Body Color	All Models	\$350
D19	Chrome Trim, Rear Not available in combination with Night Pkg (DC1)	All Models	\$200
D24	Side Cladding, Rugged Matte Black Not available with AMG Line (DG3)	All Models	\$275
D26	Load Sill Guard	All Models	\$175
D37	Mercedes-Benz Star Set Plate frame/valve caps	All Models	\$35
D43	All-Weather Floor Mats, Black Rubber (Pack of 4)	All Models	\$170
D45	Animated LED Logo Projector	All Models	\$310
D49	First Aid Kit	All Models	\$35



# Specifications

## GLC300W



### Chassis

#### Drivetrain

Transmission	9G-TRONIC
Transmission Speeds	9
Drive Configuration	Rear-Wheel Drive

### Engine

Engine Configuration	2.0L Inline-4 Turbo w/ 48V Mild Hybrid System
Power (hp)	255 hp (ICE), 23 hp (ISG)
Torque (lb-ft)	295 lb-ft (ICE), 148 lb-ft (ISG)
Fuel Requirement (Octane)	91
Compression	10.5:1
Fuel Tank Size (gallons)	17.4
Displacement (cc)	1,991
# Valves per Cylinder	4

### Performance

Acceleration	6.2
Top Speed	130 mph

### Fuel Economy

Fuel Economy	TBD
--------------	-----

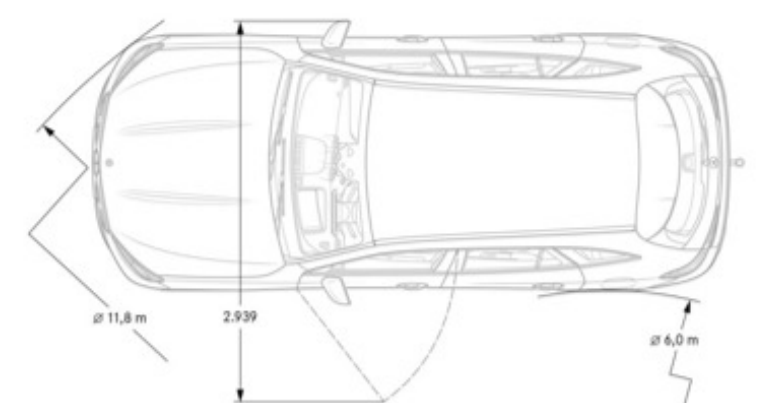
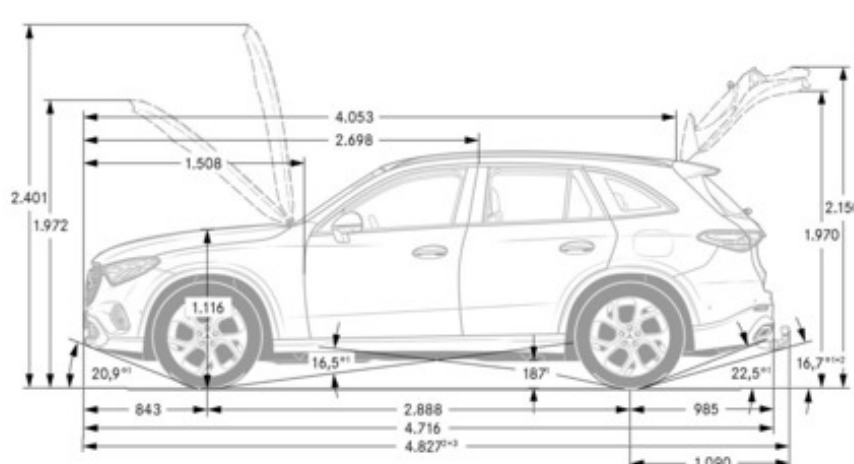
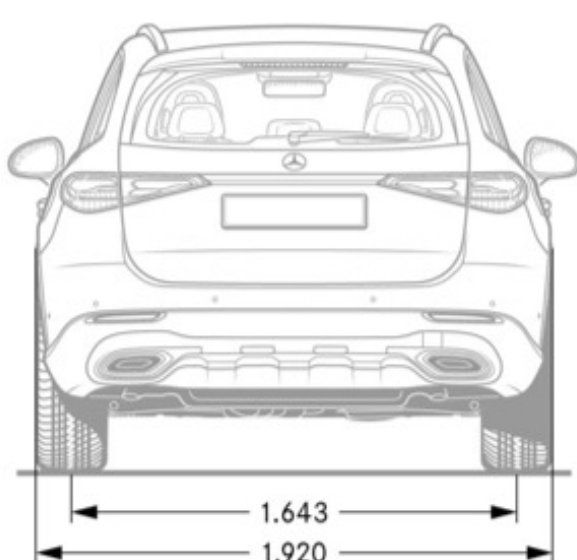
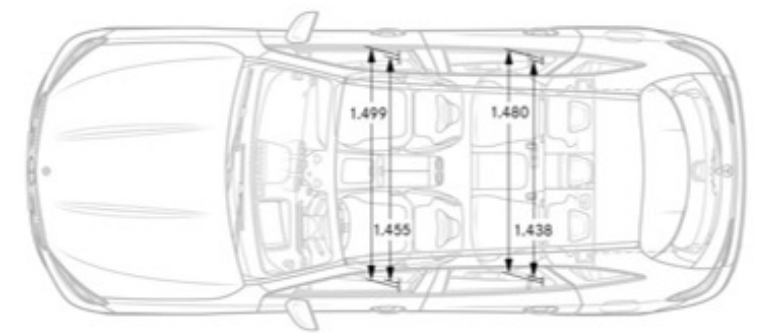
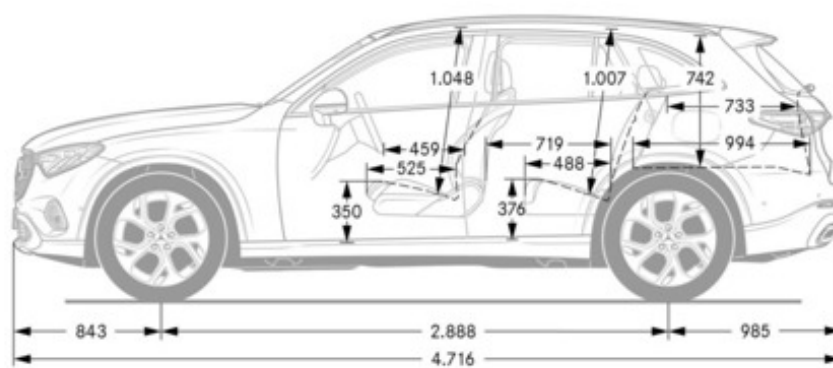
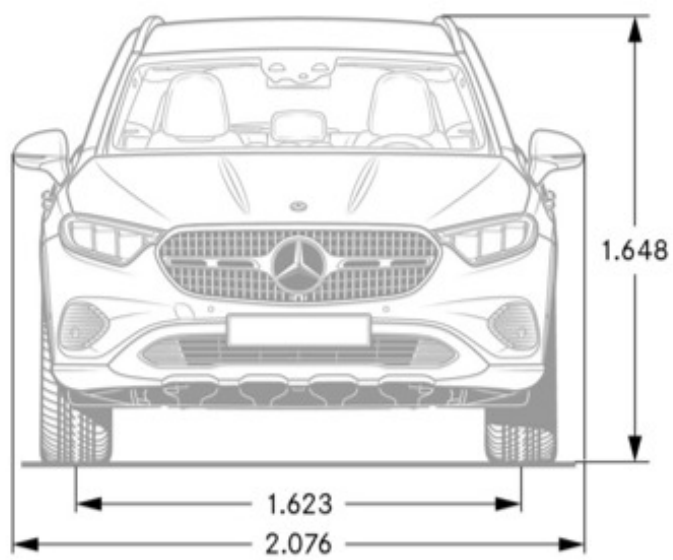
### Exterior Dimensions

Vehicle Length	185.7 in
Vehicle Width with Mirrors	81.7 in
Vehicle Height	64.6 in
Wheelbase	113.1 in
Coefficient of Drag	0.29
Track Width Front/Rear	64.1/64.6 in
Curb Weight (lbs)	TBD

### Wheels and Tires

#### Interior Dimensions

Trunk Size	24.4 cu ft
------------	------------





*Chassis*

*Drivetrain*

<b>Transmission</b>	9G-TRONIC
<b>Transmission Speeds</b>	9
<b>Drive Configuration</b>	All-Wheel Drive

*Engine*

<b>Engine Configuration</b>	2.0L Inline-4 Turbo w/ 48V Mild Hybrid System
<b>Power (hp)</b>	255 hp (ICE), 23 hp (ISG)
<b>Torque (lb-ft)</b>	295 lb-ft ( ICE), 148 lb-ft (ISG)
<b>Fuel Requirement (Octane)</b>	91
<b>Compression</b>	10.5:1
<b>Fuel Tank Size (gallons)</b>	17.4
<b>Displacement (cc)</b>	1,991
<b># Valves per Cylinder</b>	4

*Performance*

<b>Acceleration</b>	6.2
<b>Top Speed</b>	130 mph

*Fuel Economy*

<b>Fuel Economy</b>	TBD
---------------------	-----

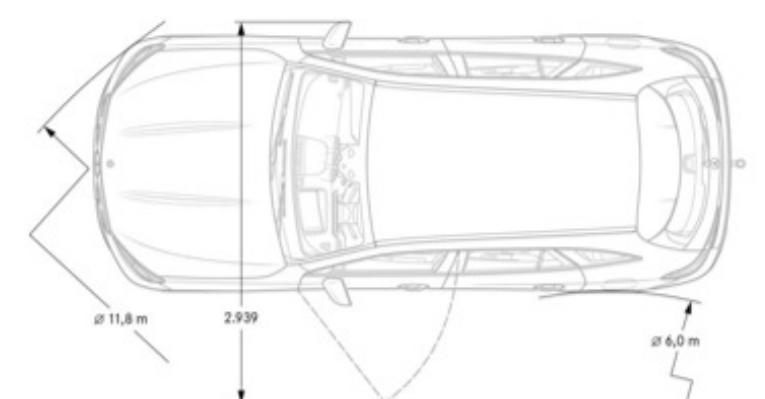
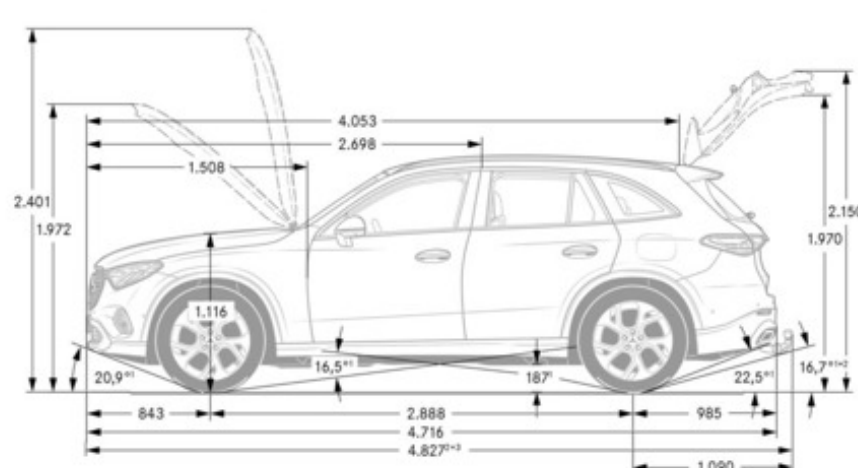
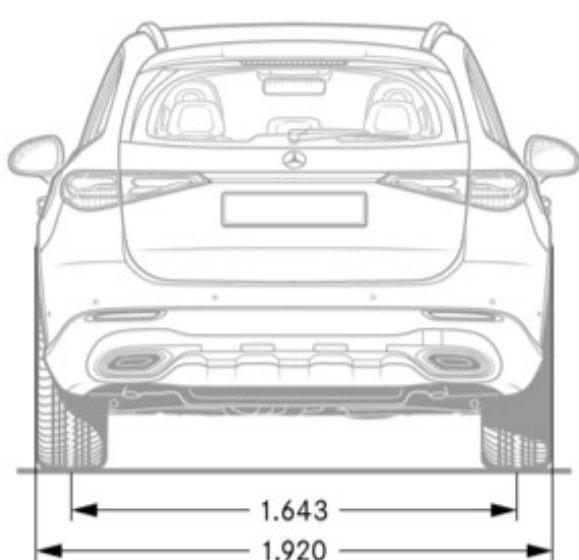
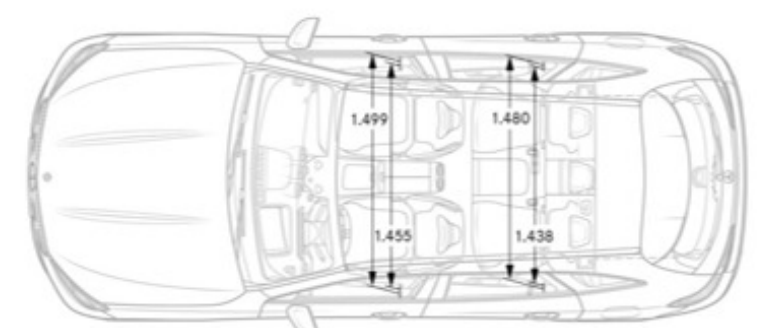
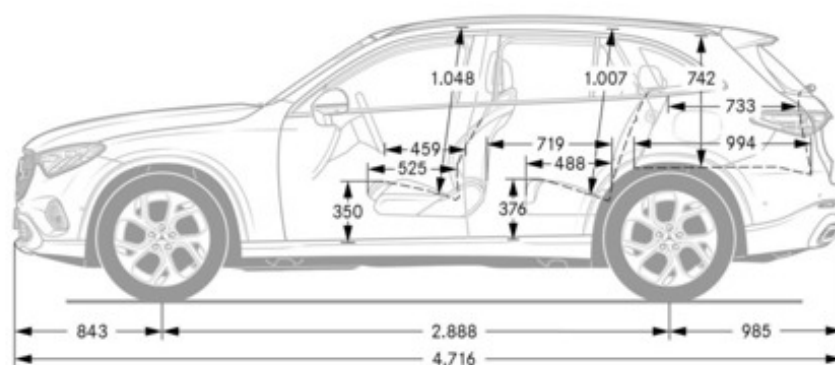
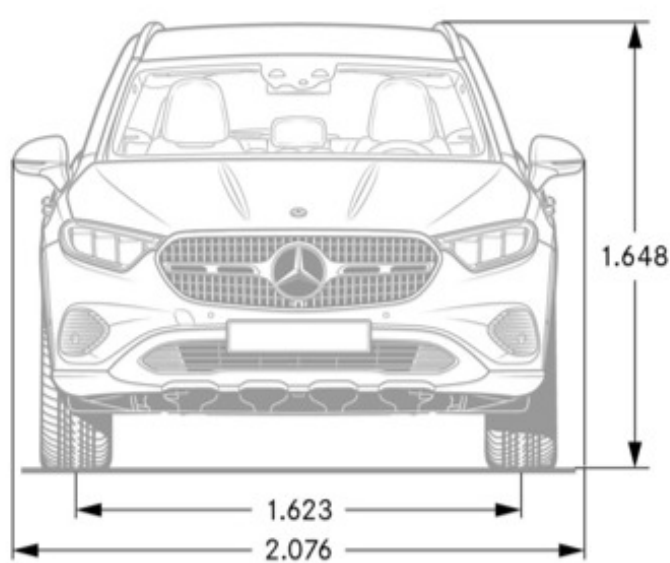
*Exterior Dimensions*

<b>Vehicle Length</b>	185.7 in
<b>Vehicle Width with Mirrors</b>	81.7 in
<b>Vehicle Height</b>	64.6 in
<b>Wheelbase</b>	113.1 in
<b>Coefficient of Drag</b>	0.29
<b>Track Width Front/Rear</b>	64.1/64.6 in
<b>Curb Weight (lbs)</b>	TBD

*Wheels and Tires*

*Interior Dimensions*

<b>Trunk Size</b>	24.4 cu ft
-------------------	------------



*Chassis*

*Drivetrain*

<b>Transmission</b>	9G-TRONIC
<b>Transmission Speeds</b>	9
<b>Drive Configuration</b>	All-Wheel Drive

*Engine*

<b>Engine Configuration</b>	2.0L Inline-4 Turbo Plug-In Hybrid
<b>Power (hp)</b>	201 hp (ICE) + 134 hp (Electric), 313 hp (Combined)
<b>Torque (lb-ft)</b>	236 lb-ft ( ICE) + 325 lb-ft (Electric), 406 lb-ft (Combined)
<b>Fuel Requirement (Octane)</b>	91
<b>Compression</b>	10.5:1
<b>Fuel Tank Size (gallons)</b>	17.4
<b>Displacement (cc)</b>	1,991
<b># Valves per Cylinder</b>	4

*Performance*

<b>Acceleration</b>	6.2
<b>Top Speed</b>	130 mph

*Fuel Economy*

<b>Fuel Economy</b>	TBD
---------------------	-----

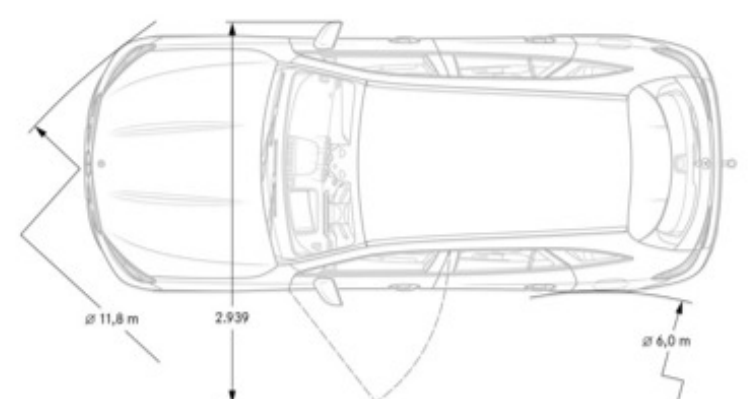
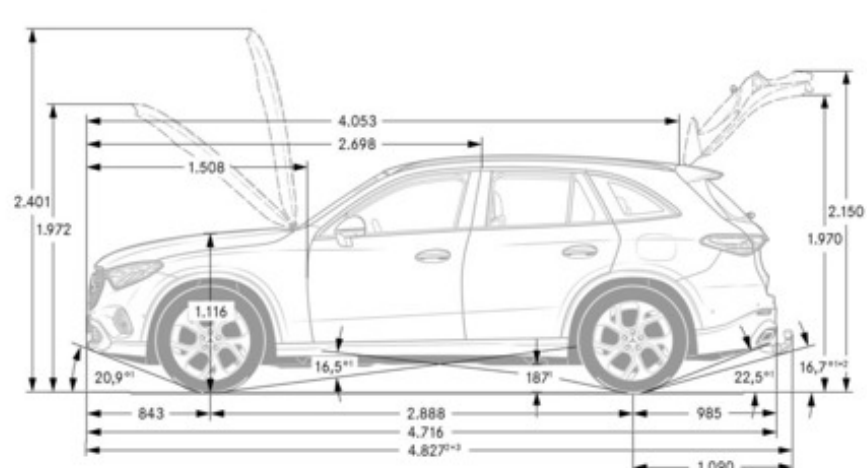
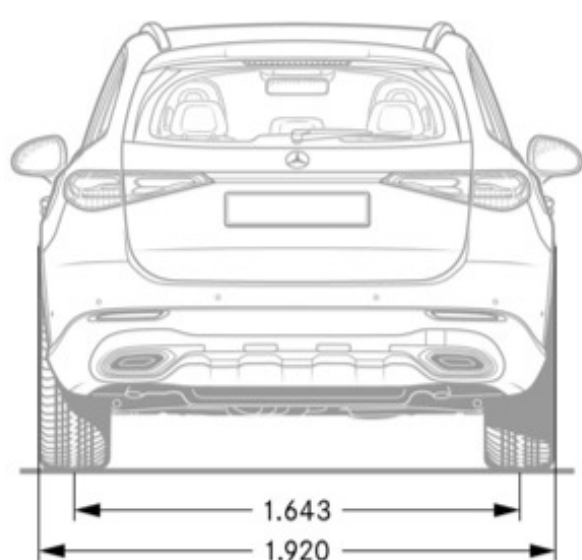
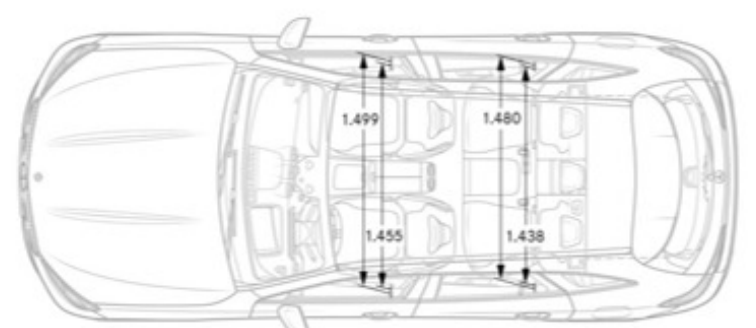
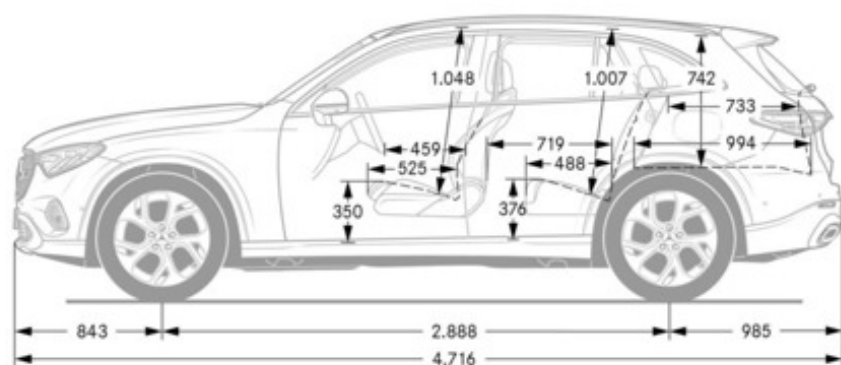
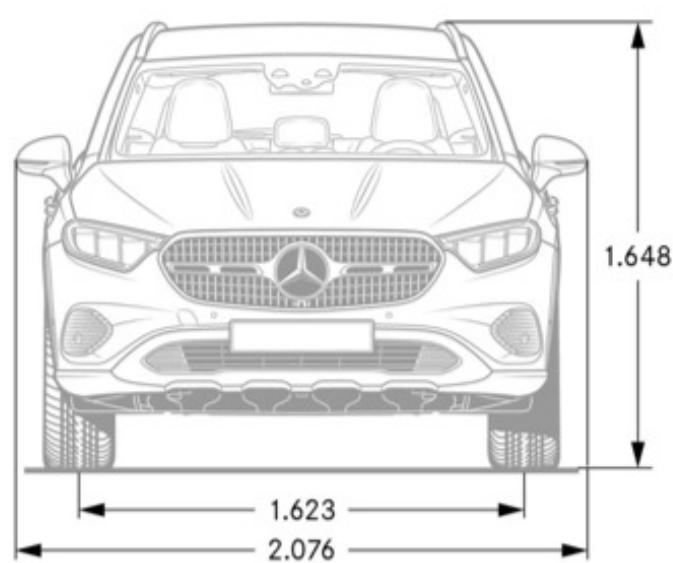
*Exterior Dimensions*

<b>Vehicle Length</b>	185.7 in
<b>Vehicle Width with Mirrors</b>	81.7 in
<b>Vehicle Height</b>	64.6 in
<b>Wheelbase</b>	113.1 in
<b>Coefficient of Drag</b>	0.29
<b>Track Width Front/Rear</b>	64.1/64.6 in
<b>Curb Weight (lbs)</b>	TBD

*Wheels and Tires*

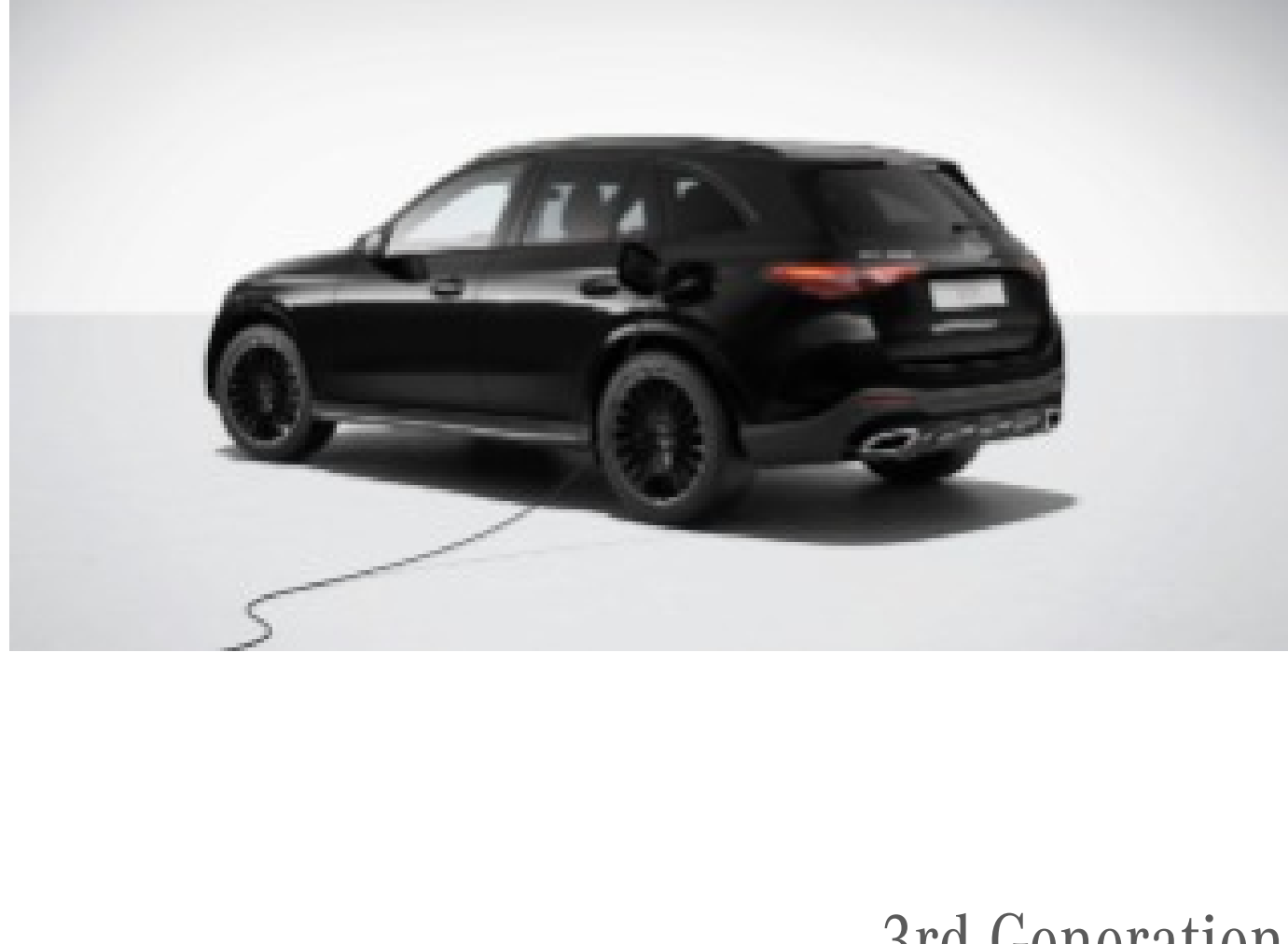
*Interior Dimensions*

<b>Trunk Size</b>	24.4 cu ft
-------------------	------------





## GLC 350e 4MATIC Plug-in Hybrid

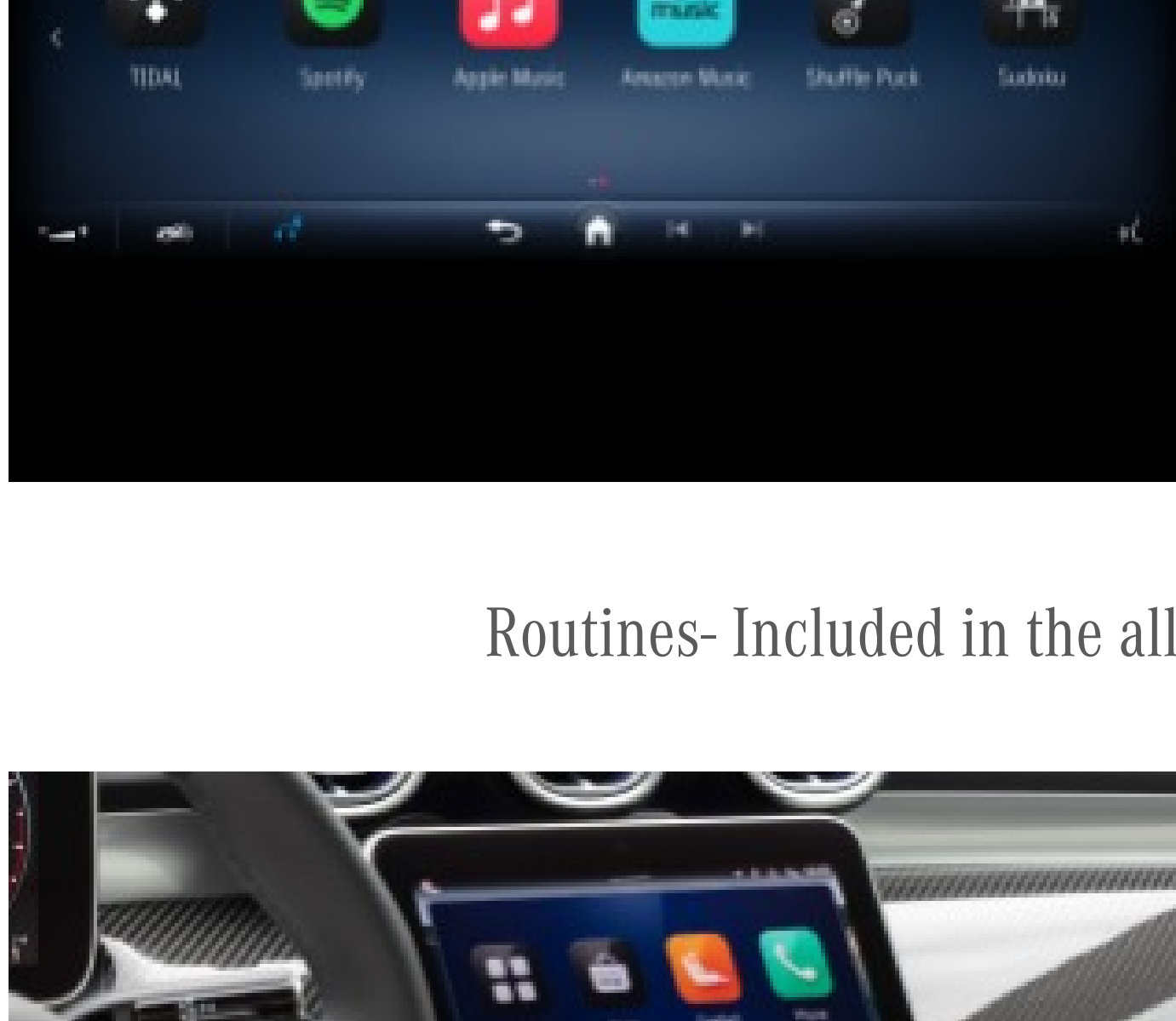


## Introduction of the GLC 350e 4MATIC Plug-in Hybrid

The GLC 350e includes 2 year of Mercedes Me Charge which enables connection to the charging network. This does NOT include complimentary charging at Electrify America stations. Plug & Charge is not available on the GLC 350e.

- 2.0 L I4 Engine that produces 201 hp paired with an Electric Motor with an output of 134 hp for a combined 313 hp
- 24.8kWh battery
- WLTP Electric Range of 120 km (75 miles)
- Standard AC and DC Charging- up to 60kW (83B)
- Self-Leveling Suspension System
- Standard MB Navigation

## 3rd Generation MBUX (Standard)



## Features

MBUX 3rd generation offers an expandable portfolio of In-Car Apps in different categories.

- Integrated App Store to expand the multimedia offering in the vehicle from various categories such as:
  - Social media (user account required)
  - Games
  - Native integration of Amazon Music, Apple Music and Spotify (user account required)

## Routines- Included in the all new MBUX System (Standard)



## MBUX 3.0 brings all-new Routines function as standard

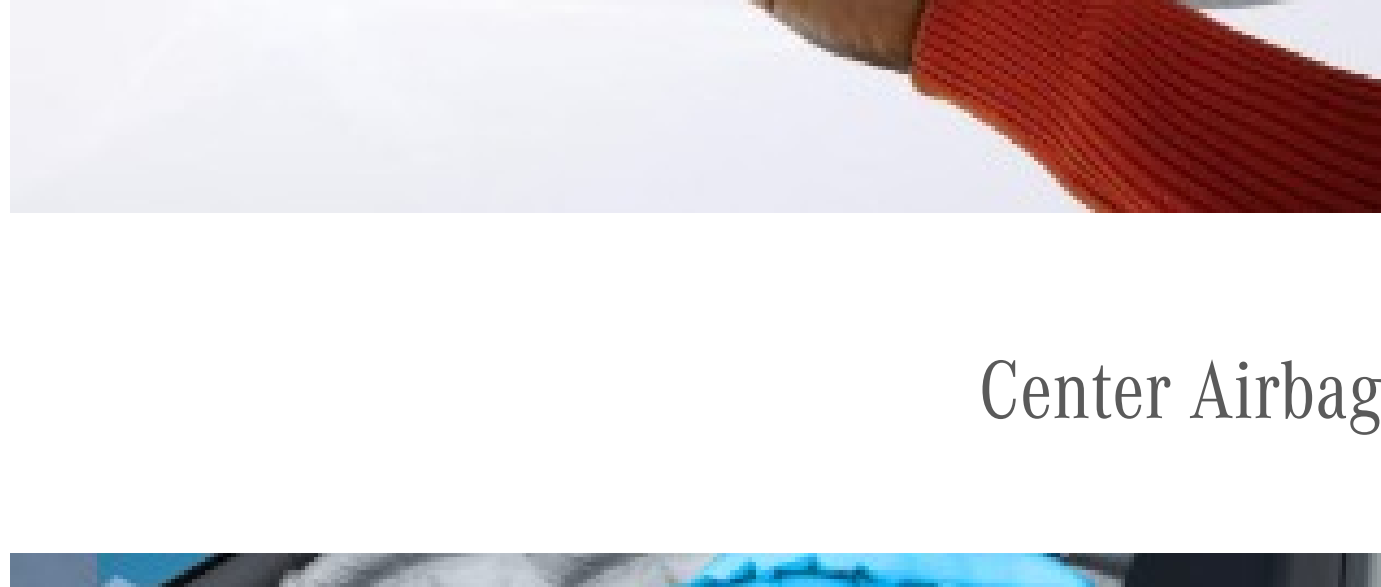
Increasing the personalization and automation of vehicle and comfort features with the introduction of Routines. There are three ways routines can be created:

- Implented generic Routines from library
- User-created routines
- Learned Routines from system AI

Example Routines could include: "When I leave for work, turn radio to station X on volume 5" or "When it is cold outside, turn on seat heater".

For more information please see detailed [Routines user guide here](#).

## Digital Vehicle Key- 896 (Standard)



## Mercedes-Benz Digital Vehicle Key

With Mercedes-Benz Digital Vehicle Key, users can unlock, lock, and drive their Mercedes-Benz simply with a compatible iPhone or Apple Watch. Key sharing is also possible with up to 32 devices. In doing so, the main user of the Mercedes me Connect account can assign different access for each device.

Customers with Apple iPhone 11 and newer with iOS 16.4 and Apple Watch Series 6 and newer will be eligible to utilize Mercedes-Benz's latest technological enhancement.

For instructions on pairing with the Mercedes me Connect App, please click [Learn More](#) below:

[Learn More](#)

## Center Airbag - 325 (Standard)



Additional airbag for increased front occupant protection in the event of a side impact

The center airbag can protect the driver and front passenger from colliding in the event of a side collision. The center airbag is installed in the seat cushion on the inside of the driver's seat and is triggered in the event of a corresponding collision.

## DIGITAL Light - PAX (in DX2)



## Features:

- HD system with projection module (more than 1 million pixels per headlamp), which uses data from the camera, sensors and the navigation system to calculate the brightness value for each individual pixel in near real time
- BACKGROUND module MULTIBEAM LED
- DIGITAL LIGHT projection functions, depending on local approval regulations
  - Projection function for lines (30U), for example as guide lines in roadworks
  - Projection function for symbols (42U), e.g. as a direction symbol for lane correction when departing from the lane
  - Projection function for animations (43U), light shows when opening and closing the vehicle
- Ultra Wide Highbeam with maximum headlamp range close to the maximum legally permitted
- DIGITAL LIGHT projection functions, depending on local approval regulations, currently available with partial scopes in the USA

## Burmester® 3D Surround Sounds System w/ Sounds Personalization &amp; Music Streaming (Included with DX1 &amp; DX2)



## Features:

- 15 high-performance speakers to match the vehicle interior and each with its own amplifier channel
- DSP amplifier with a total output of 710 watts (2 x 120 watts, 7 x 50 watts, 6 x 20 watts) - Increase of 120 watts compared to the previous generation Burmester Surround Sound system.
- 2 broadband speakers in the front area for 3D sound
- Frontbass technology with subwoofers integrated into the body shell
- Sound optimisation for the front, rear or all seats
- 2 sound presets: two built-in sound presets of the 3D surround sound system, you can change the listening experience with a single touch of a button. For completely unadulterated music enjoyment without any additional effects, you can activate the "Pure" style. In "3D-Sound" mode you can also enjoy virtual surround sound with all audio signals.
- Equalizer function for setting the bass, midrange and treble frequencies
- Noise compensation (VNC)
- The design of the speakers also features metal covers, with Burmester® lettering on the speakers
- Sound Personalization (32U)- A tailor-made listening experience: with the personalization of the sound system you can easily achieve your perfect sound setup. A setup assistant with innovative algorithms identifies your music preferences together with you and sets the Burmester® sound system to match your requirements. It stores the result in your personal profile.

## Driver Assistance Package (DA2) - In DX0, requires MB Navigation (PBG)



## Features:

- The Driver Assistance Package features Level 2 automated driving. State-of-the-art driving assistance systems support the driver according to the situation in terms of speed adjustment, steering, lane changes and the risk of collision. The risk of accidents is reduced - passengers and other road users are effectively protected.
- Drivers are afforded a great degree of relief in monotonous traffic during lengthy trips, for example, and in bumper-to-bumper driving or traffic jams as well as before curves, roundabouts, T-junctions and the end of traffic jams, etc.
- The fusion of different radar, ultrasound and camera sensors, map and navigation data, and live traffic information gives the customer more functionality compared to standard/individual functions.
- **The Driver Assistance Package includes:**
  - Active Distance Assist DISTRONIC
  - Active Speed Limit Assist with response to changing speed limits
  - Active Stop-and-Go Assist
  - Extended automatic restarting
  - Route-based speed adaptation
  - Active Steering Assist
  - Active Lane Change Assist
  - Automatic Lane Change Assist
  - Active Emergency Stop Assist
  - Evasive Steering Assist
  - Active Blind Spot Assist with exit warning
  - Active Brake Assist with turning and cross-traffic function
  - End-of-Traffic Emergency Braking
  - PRE-SAFE® PLUS
  - PRE-SAFE® Impulse Side

## Driver Assistance Feature: Automatic Lane Change Assist (Optional)

Automatic Lane Change Assist feature included in Driver Assistance Package (DA2) as part of P20. With Driver Assistance enabled, the E-class can automatically initiate a lane change and pass slower vehicles on the highway without driver intervention. In the instrument cluster, next to the green active steering assist icon (steering wheel with hands), an "A" will appear on the left and right side of the steering wheel indicating that the system is on. When initiating a lane change, a chime sounds to indicate to the driver that the vehicle is changing lanes, and the turn signal is activated. An automatic lane change can be canceled by the driver at any point. The driver must remain responsible at all times and ready to takeover.

## Active Distance Assist DISTRONIC® - 239 (Optional)

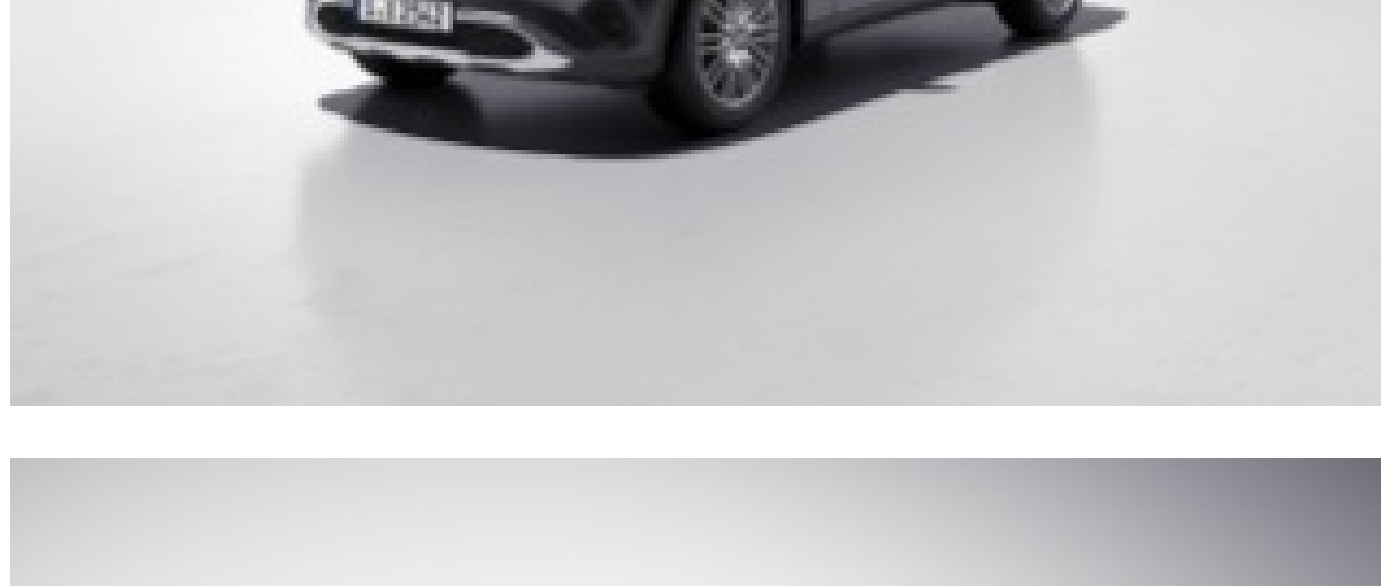


- Simply set the desired speed. The driver assistance system maintains this speed for you. In normal driving you don't need to constantly intervene yourself by braking or accelerating if the traffic ahead requires you to do so. Depending on which drive program you are in, your vehicle accelerates faster or slower up to the desired speed.

## Features:

- Automatically acting driver assistance system: maintains the defined desired speed and at the same time controls the specified distance you have preselected
- When there are vehicles in front in flowing traffic: in a speed range from 0 to 100 mph
- Without any vehicles in front: in a speed range from 12 to 100 mph
- Visual and audible warning when the driver must intervene
- Depending on the drive program, the vehicle accelerates faster or slower up to the desired speed

## Standard vs AMG Line



## Standard

## Exterior Features:

- Radiator grille with integrated Mercedes star and a dark grey louver with chrome overlay, radiator grille frame in chrome
- Front bumper with underguard in chrome and air inlets with diamond-pattern mesh in black
- Body-colored rear bumper with underguard in chrome
- Exhaust system with two tailpipe trim elements integrated into the bumper (non-functional)
- Beltline trim strips in polished aluminium
- Side window weatherstrips in polished aluminium
- Trim on the B-pillars in high-gloss black
- Trim piece between the rear taillamps in high-gloss black
- Polished aluminium roof rails

## Interior Features:

- Multifunction steering wheel in leather (L3E)
- Air vents in silver chrome
- Doors with high-gloss black trim elements with silver chrome surrounds and switches in silver chrome
- Overhead control panel in high-gloss black
- Black fabric roof liner (51U) or fabric roof liner in crystal grey (58U)



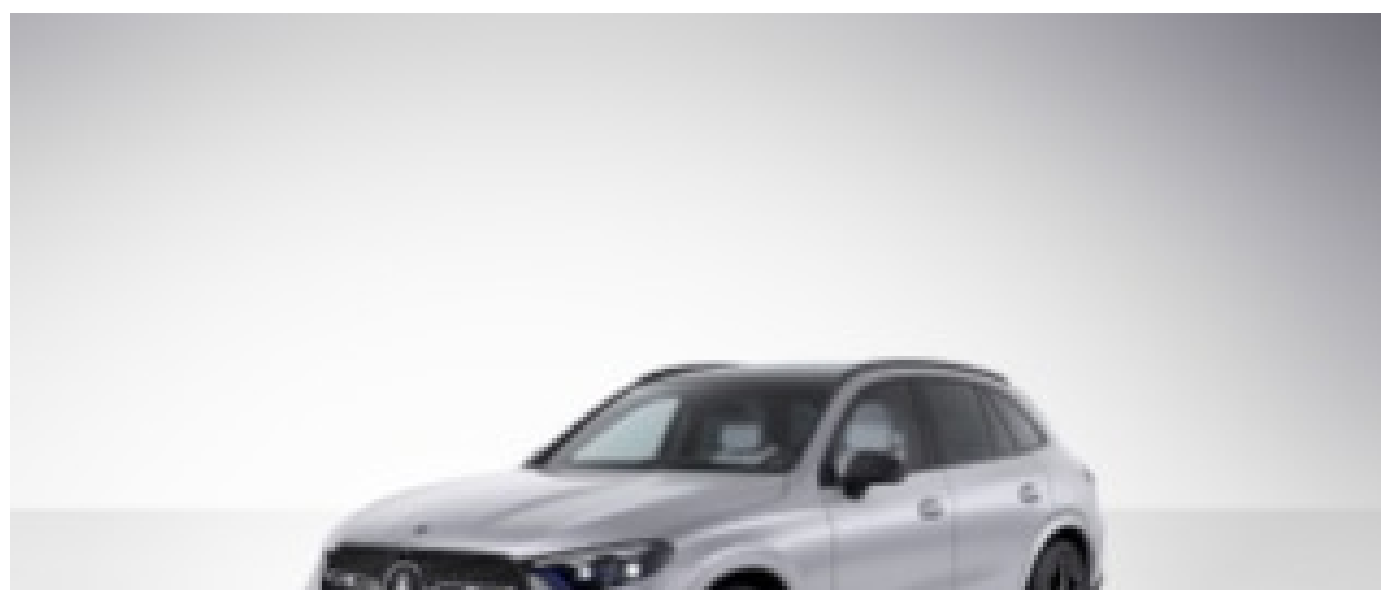
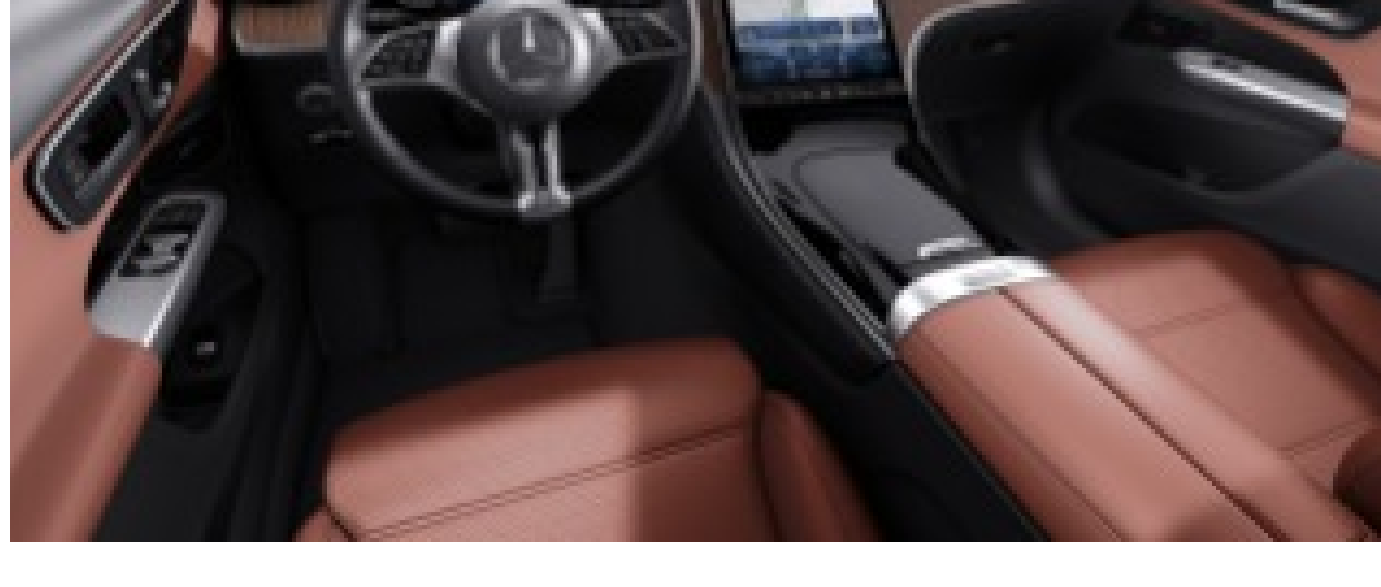
## AMG Line

## Exterior Features:

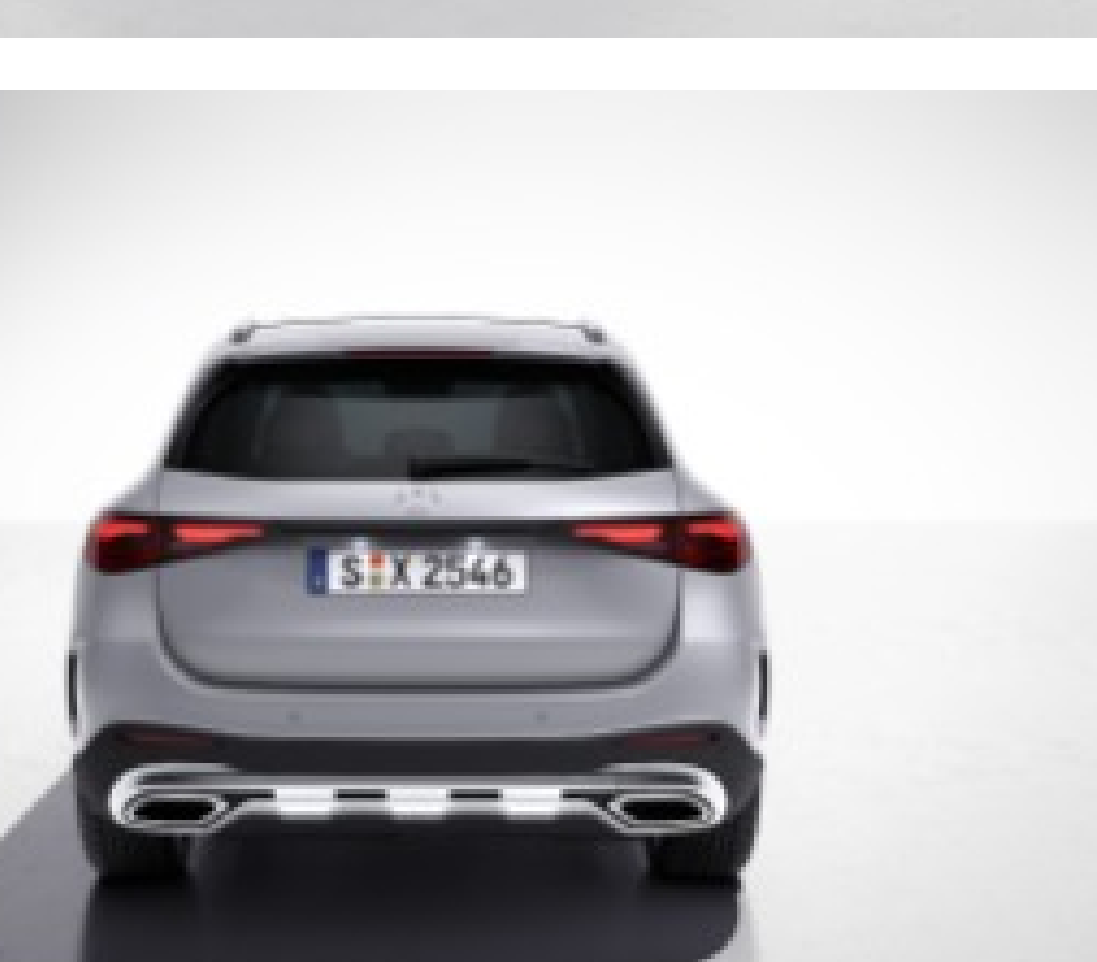
- AMG bodystyling consisting of AMG front bumper with sporty air intakes and chrome trim element
- Radiator grille with Mercedes-Benz pattern and integrated Mercedes star and louver in dark grey matte with chrome inlay and black frame
- Wheel arch linings in body color
- Exhaust system with two visible tailpipe trim elements integrated into the bumper and sporty engine sound
- Brake system with larger brake disks on the front axle (U29)

## Interior Features:

- Multifunction sports steering wheel in nappa leather (L5C), with horizontal twin-spokes, flat bottom, deep embossing in the grip area, steering-wheel bezel and steering-wheel paddle shifters in silver chrome
- AMG brushed stainless steel sports pedals with black rubber studs
- MB-TEX instrument panel and beltlines in black nappa look (U34)
- Air vents with elements in silver chrome
- Doors with high-gloss black trim elements and surround in silver chrome and switches in silver chrome
- Floor mats in black with AMG lettering
- Overhead control panel in high-gloss black
- Black fabric headliner (51U)



## Transparent Hood (Only with GLC300W4 &amp; DX1 or DX2)



When the off-road mode is active, the central display shows a virtual view under the front of the vehicle, including the front wheels and their steering position. The view is composed of the images from the 360-degree camera. There are two views: under the vehicle and looking ahead. At speeds up to 5 mph the "transparent hood", i.e. the view under the vehicle, is shown. From 5 to 12 mph the system shows the view ahead. The camera image is switched off at higher speeds.



# Gallery

All

Exterior

Interior



# Sales Hub

