

AMG GLC Coupe



C253

Model Year 2018

Preliminary – Subject to Change

AMG
DRIVING PERFORMANCE

GLC 43 4MATIC, GLC63 4MATIC+, and GLC63 S 4MATIC+



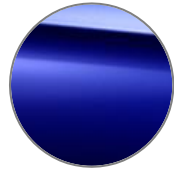
Models



What's new



Standard Equipment



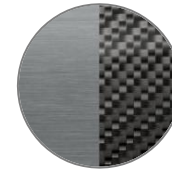
Exterior Paint Colors



Wheels



Interior Upholstery



Interior Trims



Option Packages



Stand-Alone Options



Options in Detail



Specifications



AMG GLC 43 (253.364)

- MSRP \$60,400
- AMG-enhanced 3.0L V6 biturbo engine
- 362 hp
- 384 lb-ft
- 4.8 sec (0-60 mph)
- Launch date: 7/2017



AMG GLC 63 (253.388)

- MSRP \$tbd
- Handcrafted AMG 4.0L V8 biturbo engine
- 469 hp
- 479 lb-ft
- 3.9 sec (0-60 mph)
- Launch date: Late 2017



AMG GLC 63 S (253.389)

- MSRP \$tbd
- Handcrafted AMG 4.0L V8 biturbo engine
- 503 hp
- 516 lb-ft
- 3.7 sec (0-60 mph)
- Launch date: Late 2017

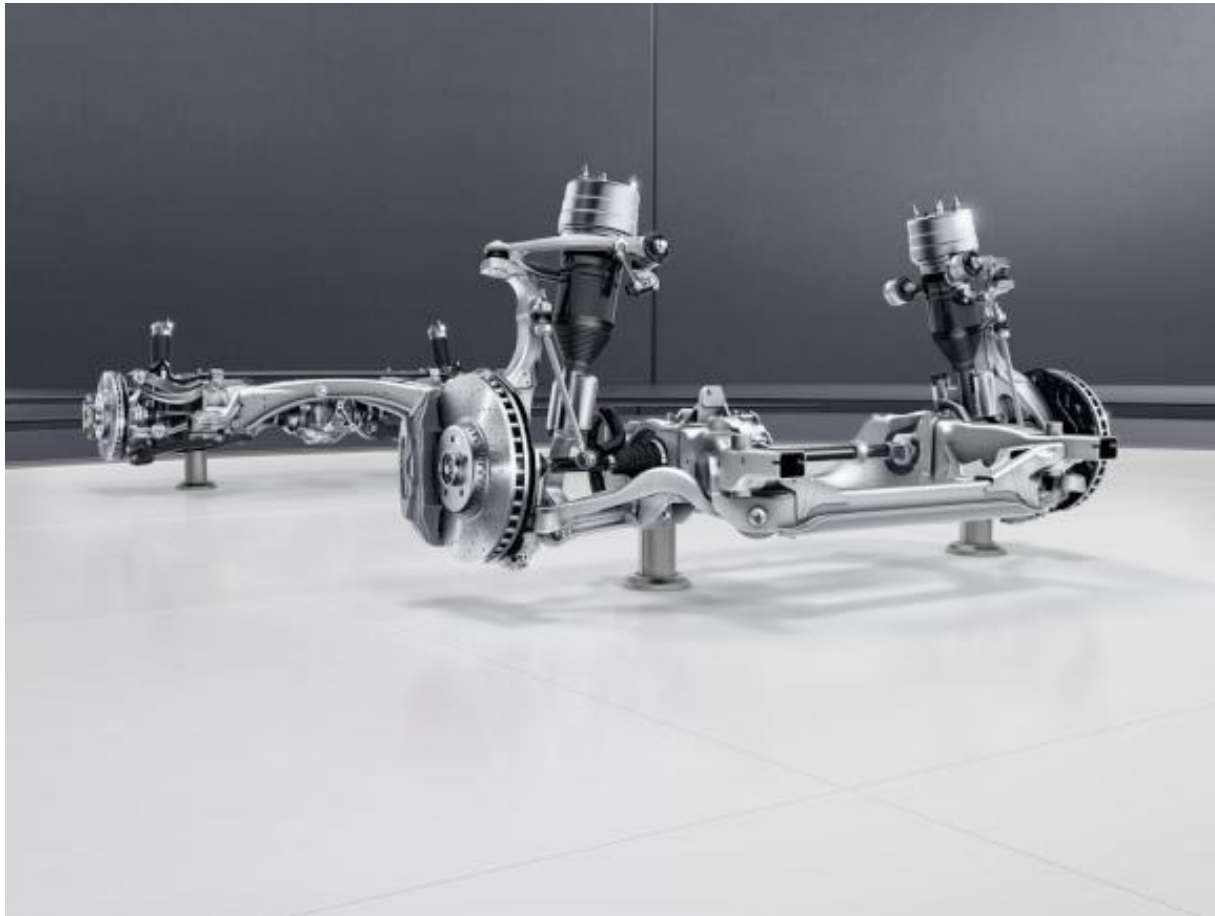
Standard Equipment

- AMG Performance 4MATIC+ (*GLC63/63 S only*)
- AMG SPEEDSHIFT® MCT 9-Speed Transmission (*GLC63/63 S only*)
- Storage Package becomes standard (seatback pockets, storage nets, rear seat release switches in cargo area)
- Front passenger seat memory function becomes standard
- Heated Windscreen Wiper System becomes standard
- Distinct Panamericana grille now available on GLC63 and GLC63 S

Optional Equipment

- New 'Categorical' packaging strategy
- Smartphone Integration Package (868) available as of August production (*Not available w/ COMAND*)
- Removable Ski and Snowboard Bag available (282)
- AMG Track Pace (255) becomes available as a standalone option (*Requires Multimedia Package*)
- AMG Performance Exhaust System becomes available (U78)
- New wheel designs for GLC63/63 S models

AMG Performance 4MATIC+



AMG Performance 4MATIC+

GLC63/63 S only (standard)

The performance-oriented all-wheel drive with fully variable torque distribution combines optimum traction, hallmark AMG driving dynamics and the ultimate in driving enjoyment. It improves handling safety and road-holding on wet or wintry road surfaces. Thanks to the fully variable torque distribution the driver benefits from the advantages of all-wheel drive and rear-wheel drive in equal measure. An electronically controlled clutch provides for variable connection of the permanently driven rear axle with the front axle. The ideal torque distribution is calculated continuously, according to the given driving situation and the driver's wishes. This enables a seamless transition from traction-oriented all-wheel drive to 100% rear-wheel drive. In addition to traction and transverse dynamics, the all-wheel drive also improves the longitudinal dynamics of the vehicle for even more dynamic acceleration.

The interaxle transfer case transfers the torque via the compact beveloid output shaft to the front-axle differential. The power transmission from the front axle differential to the front left drive shaft is enabled by an intermediate shaft, which passes through a tube that is encapsulated in the engine oil pan. The compact design ensures that no space is lost inside the vehicle.

- Combines the advantages of an all-wheel drive with those of a rear-wheel drive: optimum traction, hallmark AMG vehicle dynamics and maximum driving pleasure
- Improved handling safety and road-holding on wet or wintry road surfaces
- A variable multi-plate clutch guarantees full realization of the road adhesion potential of all four wheels, especially on snow or ice.
- Improved longitudinal dynamics for even more dynamic acceleration
- The compact, lightweight design avoids any loss of space in the interior

Performance & Handling

- GLC43: AMG Enhanced 3.0L V6 Biturbo (362 hp, 384 lb-ft torque)
- GLC63: Handcrafted AMG 4.0L V8 Biturbo (469 hp, 479 lb-ft torque)
- GLC63 S: Handcrafted AMG 4.0L V8 Biturbo (503 hp, 516 lb-ft torque)
- AMG Sport Suspension based on AIR BODY CONTROL
- GLC43: AMG Enhanced 9G-TRONIC 9-speed Automatic Transmission
- GLC63/63 S: AMG SPEEDSHIFT® MCT 9-Speed Transmission
- GLC63/63 S: AMG High Performance Braking System
- GLC63: Mechanical rear-axle limited-slip differential
- GLC63 S: Electronic rear-axle limited-slip differential
- GLC43: AMG Performance 4MATIC (31:69)
- GLC63/63 S: AMG Performance 4MATIC+ (fully variable torque distribution)
- AMG DYNAMIC SELECT (GLC63 S includes RACE mode)
- 3-Stage ESP

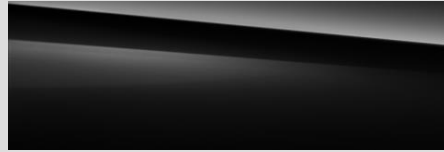
Comfort & Convenience

- KEYLESS START & KEYLESS GO
- Power Folding Mirrors
- Audio System with CD drive
- GLC63/63 S: Burmester® Surround Sound System
- Two USB Ports
- Bluetooth® Technology (for Handsfree Phone Use/Audio Streaming)
- HD Radio
- SiriusXM Satellite Radio
- Power and Heated Front Seats with Memory
- 4-way Lumbar Support
- Power Tilt & Telescoping Steering Column
- Electronic Cruise Control
- Power Windows with Express Up and Down
- Automatic Headlamps with Twilight Sensor & Locator Lighting
- Central Controller with 7" high-mounted tablet-style color display
- Multifunction leather steering wheel
- Pre-wiring for GARMIN® Map Pilot
- Dual-Zone Automatic Climate Control
- Garage Door Opener
- Intermittent Wipers with Rain Sensor
- Sliding Sunroof
- LED Headlamps and taillights
- Auto-Dimming Driver & Rearview Mirror
- Front and Rear Cupholders
- Split-Folding Rear Seats (40/20/40)
- Power Liftgate
- 115V AC Power Outlet

Safety & Security

- New Vehicle 4 Year/50,000 Mile Warranty
- 24h Roadside Assistance Program
- 3-point Seat Belt with Pretensioners & Dual-Stage Belt Force Limiter
- Front Dual-Stage Airbags
- Front and Rear Side Window Airbags
- Front Side Airbags
- Driver Kneebag
- Rearview Camera
- ISOFIX Anchor and Tether System
- ATTENTION ASSIST Driver Drowsiness Monitor
- COLLISION PREVENTION ASSIST PLUS (CPA+)
- PRE-SAFE
- Smart Key with Panic Button
- Tire Pressure Monitoring System
- Anti-theft Alarm System
- Blind Spot Assist

Non-metallic Paints



040
Black
Option price: \$0

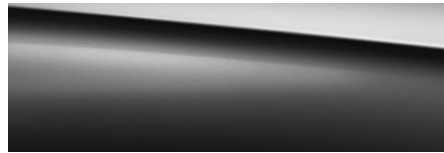


149
Polar White
Option price: \$0

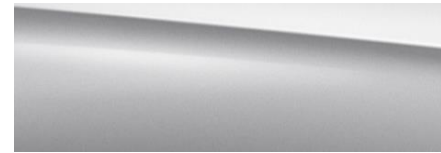
Code
Color
Option price: \$XXX

Code
Color
Option price: \$XXX

Metallic Paints



197
Obsidian Black
Option price: \$720



775
Iridium Silver
Option price: \$720



796
Dakota Brown
Option price: \$720



890
Lunar Blue
Option price: \$720



896
Brilliant Blue
Option price: \$720



992
Selenite Grey
Option price: \$720



988
Diamond Silver
Option price: \$720

Code
Color
Option price: \$XXX

designo® Paints



271
Dakota Brown Magno
Option price: \$3,950



799
Diamond White Metallic
Option price: \$1,515



996
Cardinal Red Metallic
Option price: \$1,080



93R
20" AMG Multi-Spoke
R02, R66
Option price: \$0
GLC43 only



92R
20" AMG Multi-Spoke
R02, R66
Option price: \$0
GLC43 only



650
21" AMG Twin 5-Spoke
R01
Option price: \$1,000
GLC43 only



684
21" AMG Twin 5-Spoke
R01
Option price: \$1,000
GLC43 only



RZS
20" AMG Twin 5-Spoke
R01, B51
\$0
GLC63/63 S only



RZT
20" AMG Twin 5-Spoke, Black
R01, B51
\$*tbd*
GLC63/63 S only



RWA
21" AMG Twin 5-Spoke
R01, B51
\$*tbd*
GLC63/63 S only



RWB
21" AMG Twin 5-Spoke, Black
R01, B51
\$*tbd*
GLC63/63 S only



RWD
21" AMG Forged Cross-Spoke
R01, B51
\$*tbd*
GLC63 S only



RWE
21" AMG Forged Cross-Spoke,
Black
R01, B51
\$*tbd* *GLC63 S only*

Code	Wheel Size	Description	Wheel Dimensions	Mobility	Availability	MSRP
93R	20"	AMG Multi-Spoke Wheel w/ Black Accents	225/45 R20 on 8.5 J x 20 ET 40 285/40 R20 on 9.5 J x 20 ET 22	Front Rear	R02, R66	GLC43 \$ 0
92R	20"	AMG Multi-Spoke Wheel	255/40 R20 on 8.5 J x 20 ET 40 285/40 R20 on 9.5 J x 20 ET 22	Front Rear	R02, R66	GLC43 \$ 0
650	21"	AMG Twin 5-Spoke Wheel	255/40 R21 on 8.5 J x 21 ET 40 285/35 R21 on 9.5 J x 21 ET 22	Front Rear	R01	GLC43 \$ 1,000
684	21"	AMG Twin 5-Spoke Wheel w/ Black Accents	255/40 R21 on 8.5 J x 21 ET 40 285/35 R21 on 9.5 J x 21 ET 22	Front Rear	R01	GLC43 \$ 1,000
RZS	20"	AMG Twin 5-spoke Wheel	265/45 R20 on 9.5 J x 20 ET 30 295/40 R20 on 10 J x 20 ET 28	Front Rear	R01, B51	GLC63/63 S \$ tbd
RZT	20"	AMG Twin 5-spoke Wheel, Black	265/45 R20 on 9.5 J x 20 ET 30 295/40 R20 on 10 J x 20 ET 28	Front Rear	R01, B51	GLC63/63 S \$ tbd
RWA	21"	AMG Twin 5-spoke Wheel	265/40 R21 on 9.5 J x 21 ET 30 295/35 R21 on 10 J x 21 ET 28	Front Rear	R01, B51	GLC63/63 S \$ tbd
RWB	21"	AMG Twin 5-spoke Wheel, Black	265/40 R21 on 9.5 J x 21 ET 30 295/35 R21 on 10 J x 21 ET 28	Front Rear	R01, B51	GLC63/63 S \$ tbd
RWD	21"	AMG Forged Cross-spoke Wheel	265/40 R21 on 9.5 J x 21 ET 30 295/35 R21 on 10 J X 21 ET 28	Front Rear	R01, B51	GLC63 S \$ tbd
RWE	21"	AMG Forged Cross-spoke Wheel, Black	265/40 R21 on 9.5 J x 21 ET 30 295/35 R21 on 10 J X 21 ET 28	Front Rear	R01, B51	GLC63 S \$ tbd



641

Black MB-TEX w/ DINAMICA and Red Stitching

Option price: \$0

GLC43 only

Interior Upholstery – Leather



221
Black
Option price: \$1,620
GLC43 only



224
Espresso Brown/Black
Option price: \$1,620
GLC43 only



225
Silk Beige/Espresso Brown
Option price: \$1,620
GLC43 only



234
Saddle Brown/Black
Option price: \$1,620
GLC43 only



241
Black w/ Red Stitching
Option price: \$1,620
GLC43 only



297
Cranberry Red/Black
Option price: \$1,620
GLC43 only

Interior Upholstery – Nappa Leather



801

Black

Option price: \$tbd

GLC63 only



811

Black with Grey Accents

Option price: \$tbd

GLC63 S only



857

Black/Red Pepper

Option price: \$tbd

GLC63 only

Interior Upholstery – *designo* Exclusive Nappa Leather



GLC43: 971

GLC63/63 S: 961

Black/Black

Option price: \$tbd

Requires P87 designo Package

Requires Dark Brown Linden Wood Trim (H07)



GLC43: 975

GLC63/63 S: 965

Platinum White Pearl/Black

Option price: \$tbd

Requires P62 designo Package

Requires Natural Grain Black Ash Wood & Aluminum Trim (737)

Interior Upholstery



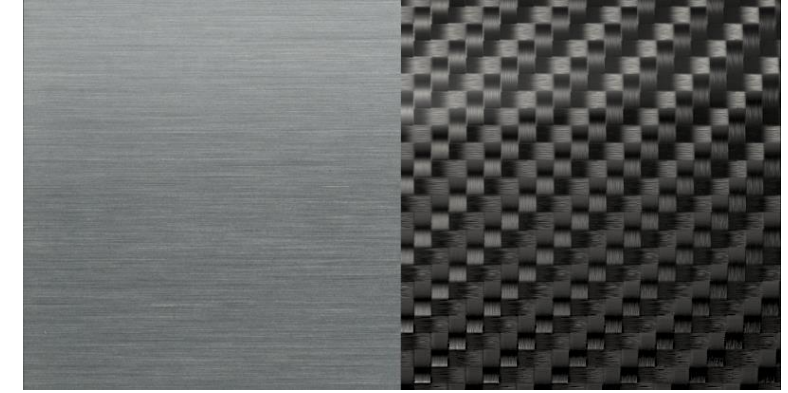
<i>Code</i>	<i>Upholstery</i>	<i>Seats</i>	<i>Floor Mats</i>	<i>Upper Dash/Lower Dash</i>	<i>Seat Belts</i>	<i>Steering Wheel</i>	<i>Headliner</i>
641	Black MB-Tex/DINAMICA with Red Stitching	Black	Black	BlackBlack	Red	Black	Black
221	Black	Black	Black	BlackBlack	Black	Black	Black
224	Espresso Brown/Black	Espresso Brown	Espresso Brown	Espresso Brown/Black	Black	Espresso Brown	Black
225	Silk Beige/ Espresso Brown	Silk Beige	Espresso Brown	Espresso Brown/Silk Beige	Silk Beige	Espresso Brown	Porcelain
234	Saddle Brown/ Black	Saddle Brown	Black	Black/Saddle Brown	Black	Black	Black
241	Black with Red Stitching	Black	Black	Black	Red	Black	Black
297	Cranberry Red/Black Leather	Cranberry Red/ Black	Black	Black	Black	Black	Black
801	Black Nappa	Black	Black	Black	Black	Black	Black
811	Black Nappa with Grey Accents	Black w/ Grey Accents	Black	Black	Silver	Black	Black
857	Black/Red Pepper Nappa	Red Pepper/Black	Black	Black	Black	Black	Black
961	<i>designo</i> Black Nappa	Black	Black	Black	Black	Black	Black
965	<i>designo</i> Platinum White Pearl/Black Nappa	Platinum White Pearl/Black	Black	Black	Black	Black	Black
971	<i>designo</i> Black Nappa	Black	Black	Black	Black	Black	Black
975	<i>designo</i> Platinum White Pearl/Black Nappa	Platinum White Pearl/Black	Black	Black	Black	Black	Black



H07
Dark Brown Linden Wood
Option price: \$0



H24
Light Brown Linden Wood
Option price: \$0



H73
AMG Carbon Fiber
Option price: \$975



737
Natural Grain Black Ash Wood/
Brushed Aluminum Trim
Option price: \$0

<i>Code</i>	<i>Packages</i>	<i>Availability</i>	<i>MSRP</i>
P01	Premium Package <i>Standard</i> <ul style="list-style-type: none"> ▪ 234 - Blind Spot Assist ▪ 536 - SiriusXM® Satellite Radio ▪ 889 - KEYLESS-GO ▪ U80 - 115V AC Power Outlet 	All Models	\$ 0
319	Advanced Lighting Package <ul style="list-style-type: none"> ▪ 640 - Active LED headlamps ▪ 608 - Adaptive Highbeam Assist ▪ 877 - Ambient Lighting ▪ U25 - AMG Illuminated door sills 	All Models	\$ 1,050
320	Multimedia Package <i>Not available with Smartphone Integration Package (868)</i> <ul style="list-style-type: none"> ▪ 531 - COMAND navigation ▪ 448 - Touchpad ▪ 502 - Map Updates for 3 Years ▪ 815 - Single-disc CD/DVD player 	All Models	\$ 2,200
996	Advanced Parking Assist Package <i>Not available with Trailer Hitch (550)</i> <ul style="list-style-type: none"> ▪ P44 - Surround View System ▪ P17 - HANDS-FREE ACCESS Package ▪ 235 - PARKTRONIC with Active Parking Assist 	All Models	\$ 1,290

<i>Code</i>	<i>Packages</i>	<i>Availability</i>	<i>MSRP</i>
997	<p>Driver Assistance Package <i>Requires Multimedia Package (320)</i></p> <ul style="list-style-type: none"> ▪ 23P - Driver Assistance Package Plus ▪ 233 - DISTRONIC PLUS with Steering Assist and Stop & Go Pilot ▪ 237 - Active Blind Spot Assist ▪ 238 - Active Lane Keeping Assist ▪ 253 - PRE-SAFE® PLUS ▪ 268 - BAS PLUS with Cross-Traffic Assist ▪ 300 - PRE-SAFE® Brake with Pedestrian Recognition ▪ 513 - Speed Limit Assist 	All Models	\$ 3,150
521	<p>AMG Night Package <i>GLC43 requires the choice of either wheel 93R or 684</i></p> <p>GLC43: Gloss black elements include front simulated underguard, front fins, rear diffuser trim; exhaust tailpipes in black chrome</p> <p>GLC63/63 S: Gloss black elements include front splitter, side sill inserts, exterior mirror housings, shoulderline trim strip and window frame, and trim strip on rear apron; exhaust tailpipes in black chrome</p>	All Models	\$ 200
868	<p>Smartphone Integration Package - Delayed Until 09/17 Production <i>Not available with Multimedia Package (320)</i></p> <ul style="list-style-type: none"> ▪ 14U - Smartphone Integration ▪ 16U - Apple CarPlay™ ▪ 17U - Android Auto 	All Models	\$ 350

<i>Code</i>	<i>Packages</i>	<i>Availability</i>	<i>MSRP</i>
P62	<p><i>designo</i> Platinum White Pearl/Black Nappa Leather Package <i>Requires Natural Grain Black Ash Wood and Aluminum Trim (737)</i></p> <ul style="list-style-type: none"> ▪ 975 - <i>designo</i> Platinum White Pearl / Black Two-Tone Nappa Leather seats in diamond quilt design, with white contrast stitching, and <i>designo</i> badge on backrests of front and rear seats ▪ Center door panels and armrests in Platinum White Pearl 	All Models	\$ Tbd
P87	<p><i>designo</i> Black Nappa Leather Package <i>Requires Dark Brown Linden Wood Trim (H07)</i></p> <ul style="list-style-type: none"> ▪ 971 - <i>designo</i> Black Nappa Leather seats in diamond quilt design, with crystal grey contrast stitching, and <i>designo</i> badge on backrests of front and rear seats ▪ Center door panels and armrests in Black with crystal grey contrast stitching 	All Models	\$ Tbd
B28	<p>AMG Exterior Carbon Fiber Package</p> <ul style="list-style-type: none"> ▪ AMG Carbon Fiber Exterior Mirror Covers ▪ AMG Carbon Fiber Trunk Lid Spoiler 		\$ 1,750

Stand-Alone Options

<i>Code</i>	<i>Options</i>	<i>MSRP</i>
282	Ski and Snowboard Bag	\$ 250
313	Manual Rear-Side Window Sunshades	\$ 380
401	Heated and Ventilated Front Seats <i>Requires leather upholstery</i>	\$ 450
443	Heated Steering Wheel <i>Not with 224 & 225 upholsteries; only available on GLC43</i>	\$ 250
463	Head-Up Display with AMG-specific Content	\$ 990
550	Trailer Hitch – Class II Hitch <i>Not with Advanced Parking Assist Package (996)</i>	\$ 575
810	Burmester® Surround Sound System <i>(standard on GLC63/63 S)</i>	\$ 850
846	Brushed Aluminum Running Boards	\$ 670
872	Heated Rear Seats <i>(must have 873 or 401)</i>	\$ 580
B51	TIREFIT <i>Only with 21" wheels (650, 684); standard on GLC 63/63 S</i>	\$ 0
P21	AIR BALANCE Cabin-air Purification and Fragrance System	\$ 350
U17	Replace Red or Silver Seatbelts with Black <i>Requires 641, 241, or 811 upholstery</i>	\$ 0
255	AMG Track Pace App <i>Requires Multimedia Package (320)</i>	\$ 150

Stand-Alone Options



<i>Code</i>	<i>Options</i>	<i>MSRP</i>
895	Telescopic Cargo Rods	\$ 200
942	Cargo Protection and Sill Guard	\$ 100
U78	AMG Performance Exhaust System	\$ 1,250

Stand-Alone Options



<i>Code</i>	<i>VPC Installed Accessories</i>	<i>MSRP</i>	
00A	Illuminated Star <i>Not with Driver's Assistance Package (997)</i>	\$	500
03A	SD-Card for GARMIN® Map Pilot Navigation <i>Not with Multimedia Package (320)</i>	\$	625
15A	LED Logo Projectors	\$	200
16A	Carbon Fiber Look Exterior Mirror Covers <i>Not available with Night Package (521) or AMG Exterior Carbon Fiber Package (B28)</i>	\$	250
068	Wheel Locks	\$	150
070	Chrome Door Handles	\$	100
<i>Code</i>	<i>Special Order Options (Additional Charge of \$250)</i>	<i>MSRP</i>	
293	Rear Side Air Bags	\$	420

Steering Wheels



Sport Steering Wheel

Option price: \$0

Not available with 224 and 225 upholstery

GLC43 only

The 12 ergonomic control buttons on the leather multifunction sport steering wheel with flattened bottom section enable operation of the display menus in the instrument cluster and the Audio/COMAND display on the left. On the right, the driver can control the volume of audio devices, telephone and navigation system. Silver-colored aluminum shift paddles emphasize the sporty appeal.



Heated Steering Wheel (443)

Option price: \$250

Not with 224 & 225 upholstery

GLC43 only

On cold days, heating of the steering wheel rim very rapidly ensures cozy temperatures of the grip area and thus also warm hands. The temperature oscillates around 95°F.



AMG Performance Steering Wheel in Nappa (L6J)

Option price: \$tbd

Standard on GLC63; optional on GLC63 S

For outstanding vehicle control, the AMG Performance steering wheel in nappa leather features a flattened bottom section as well as perforated grip areas. The sporty design is completed by silver-colored aluminum shift paddles and a 12-o'clock marker.



AMG Performance Steering Wheel in Nappa/DINAMICA (L6K)

Option price: \$tbd

Standard on GLC63 S; optional on GLC63

For even better grip during sporty maneuvers, the grip area on the AMG Performance steering wheel in nappa leather is finished in DINAMICA microfiber. The steering wheel bezel comes in silver chrome with "AMG" lettering, silver-colored aluminum shift paddles and a 12-o'clock marker to round off the design.

AMG Track Pace App for Apple iPhone® (255)



AMG Track Pace App for Apple iPhone® (255)

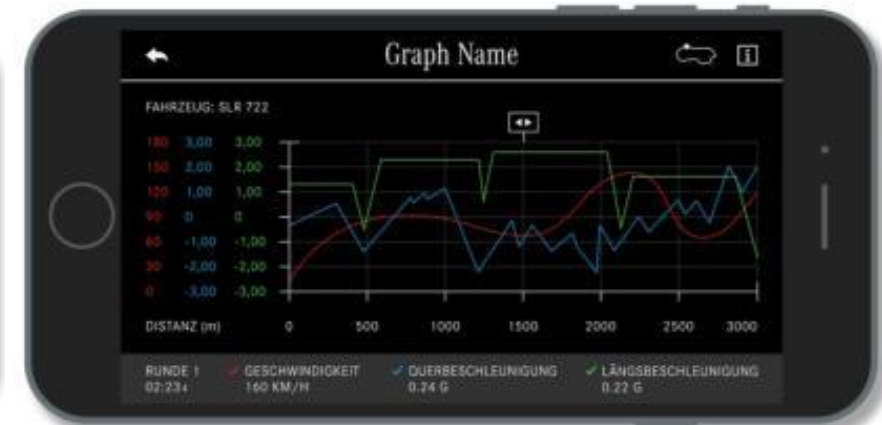
Option price: \$150

Requires Multimedia Package (320)

With the "AMG Track Pace" app, a smartphone can be turned into a personal racing engineer. This enables lap/sector times or even videos to be recorded and analyzed. Another attractive feature is the option to exchange data with other AMG drivers e.g. via social networks.

Overview of the AMG Track Pace app:

- Stores vehicle-specific data (e.g. speed, acceleration) as well as lap and sector times
- Video recordings via smartphone/GoPro are also possible
- Driving ability can be analyzed and improved in a targeted manner
- Connection via WLAN
- Exchange data with other AMG drivers via social networks such as Facebook (Share function) or the AMG Private Lounge

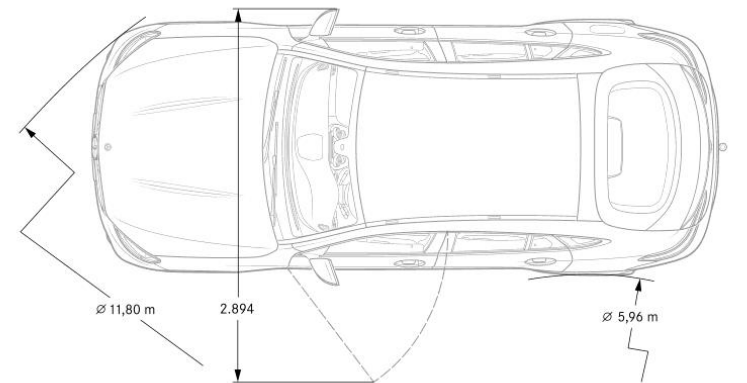
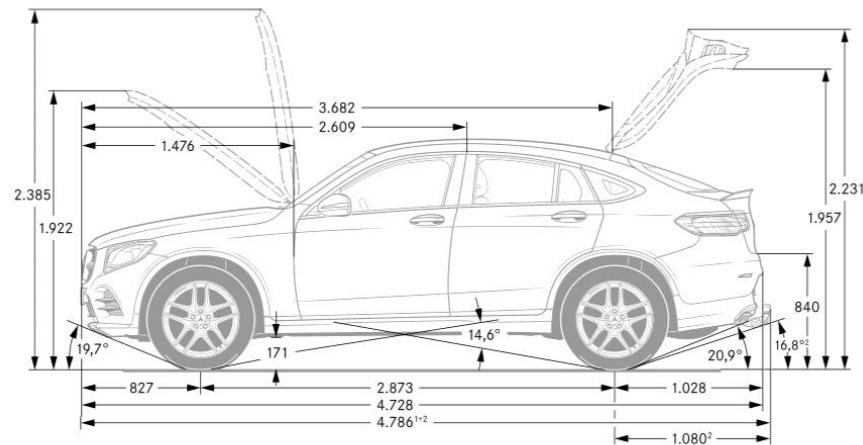
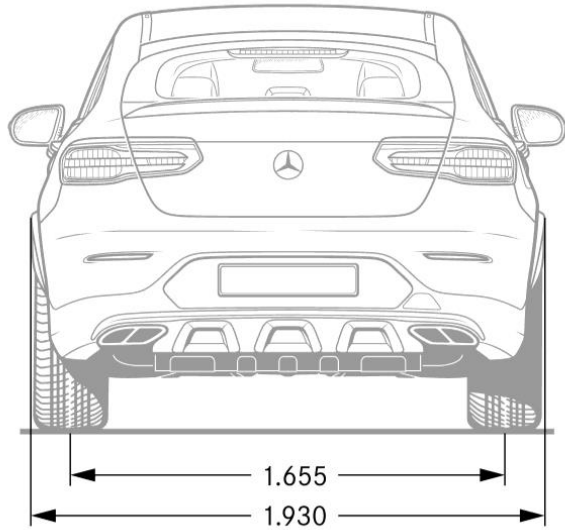
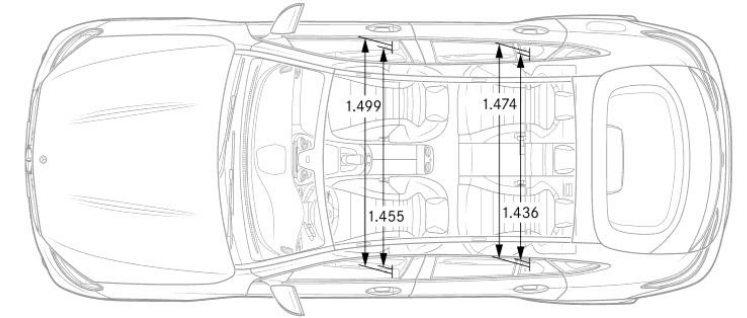
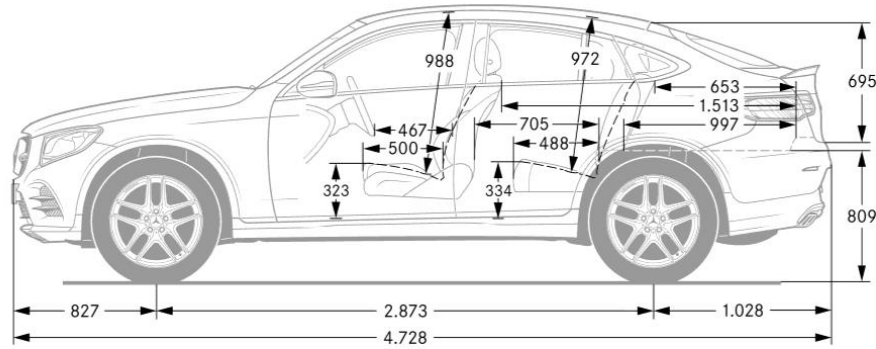
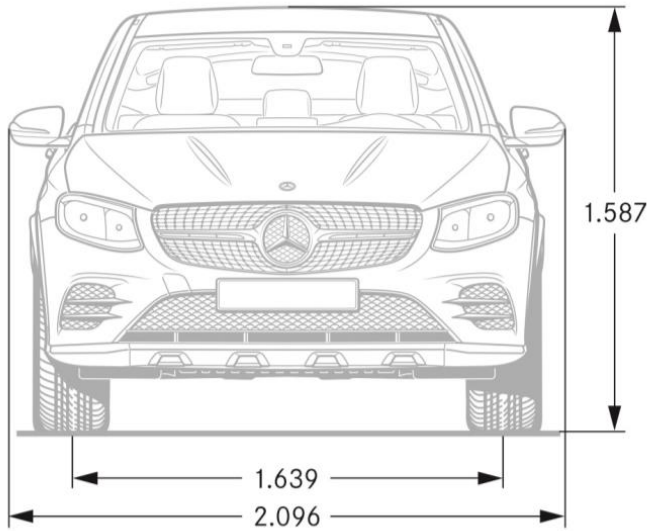


Specifications

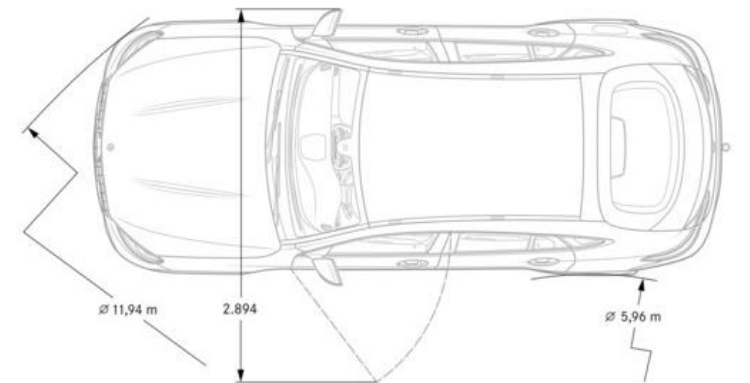
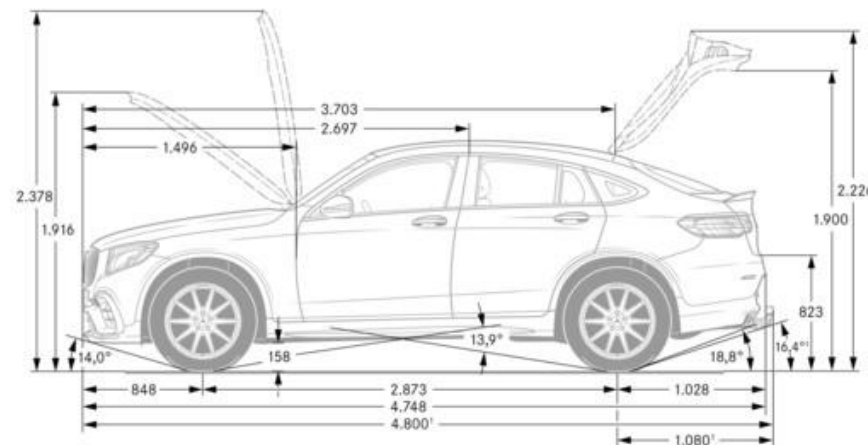
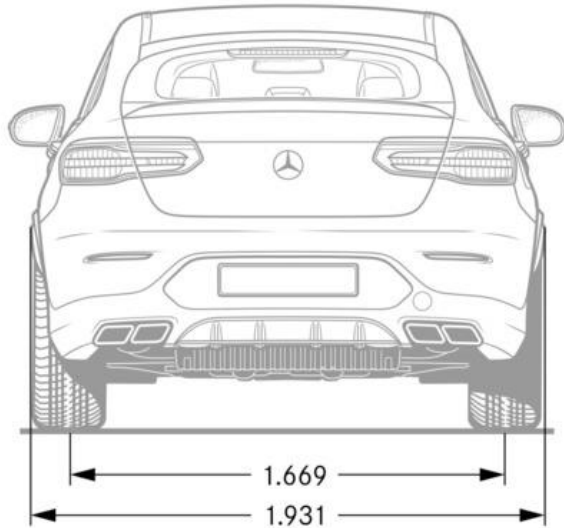
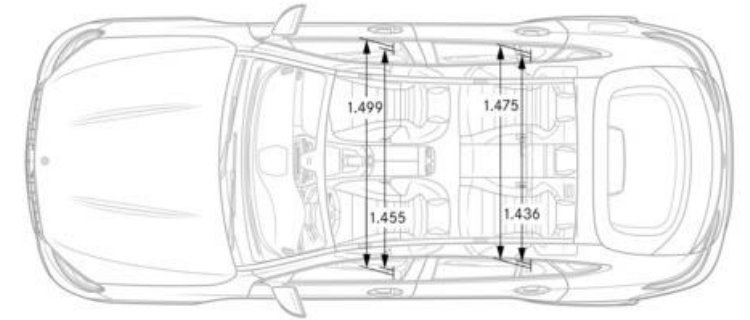
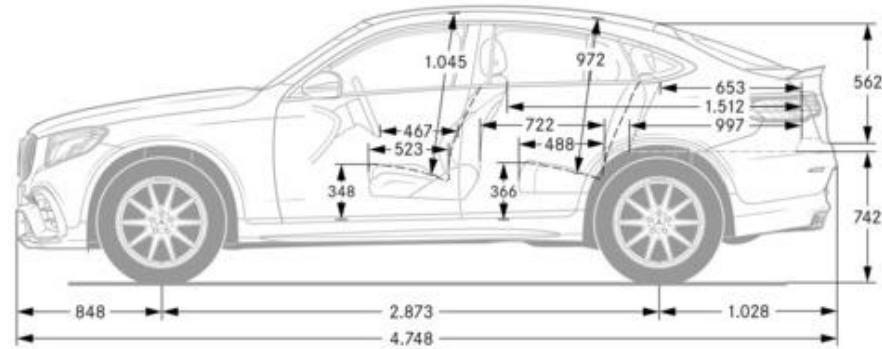
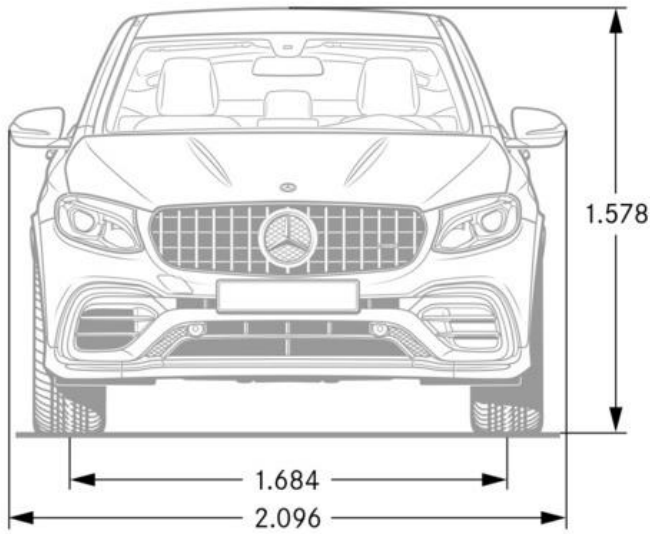


	<i>AMG GLC 43</i>	<i>AMG GLC 63</i>	<i>AMG GLC63 S</i>
Engine Configuration	AMG-enhanced 3.0L V6 biturbo engine	Handcrafted AMG 4.0L V8 biturbo	Handcrafted AMG 4.0L V8 biturbo
Power (hp)	362	469	503
Torque (lb-ft)	384	479	516
Displacement (cc)	2,996	3,982	
Acceleration 0-60 mph (sec)	4.8	3.9	3.7
Fuel Economy (Cty/Hwy/Comb)	tbd	Tbd	tbd
Top Speed (mph)	130 (lim.)	155 (lim.)	174 (lim.)
Fuel Requirement (Octane)	91	91	91
# Valves per cylinder	4	4	4
Compression	10.7 : 1	10.5 : 1	10.5 : 1
Transmission	AMG-enhanced 9G-TRONIC	AMG SPEEDSHIFT® MCT 9-Speed	AMG SPEEDSHIFT® MCT 9-Speed
Transmission Speeds	9	9	9
Drive Configuration	All-Wheel Drive	All-Wheel Drive	All-Wheel Drive
Fuel Tank Size (gallons)	17.4	17.4	17.4
Trunk Size (cubic feet)	56.5	tbd	tbd
Curb Weight (lbs)	3,926	4,268	4,290
Vehicle Length (in.)	186.1	186.8	186.8
Vehicle Width w/ exterior mirrors (in.)	76.0	76.0	76.0
Vehicle Height (in.)	64.1	62.1	62.4
Wheelbase (in.)	113.1	113.1	113.1
Track Width Front/Rear (in.)	64.5/65.2	66.3/65.7	65.4/64.9
Coefficient of Drag (Cd)	n/a	n/a	n/a

Specifications* – GLC 43 Coupe 4MATIC



Specifications* – GLC 63 Coupe 4MATIC+



Specifications* – GLC 63 S Coupe 4MATIC+

