

# AMG GLC SUV



BITURBO

X253

Model Year 2018

Preliminary – Subject to Change

**AMG**

DRIVING PERFORMANCE

## *GLC 43 4MATIC and GLC63 4MATIC+*



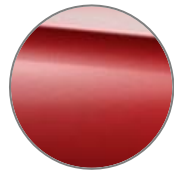
Models



What's new



Standard Equipment



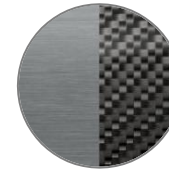
Exterior Paint Colors



Wheels



Interior Upholstery



Interior Trims



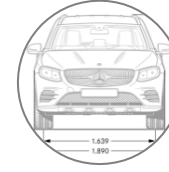
Option Packages



Stand-Alone Options



Options in Detail



Specifications



*AMG GLC 43 (253.964)*

- MSRP \$56,050
- AMG-enhanced 3.0L V6 biturbo engine
- 362 hp
- 384 lb-ft
- 4.8 sec (0-60 mph)
- Launch date: 7/2017



*AMG GLC 63 (253.988)*

- MSRP \$tbd
- Handcrafted AMG 4.0L V8 biturbo engine
- 469 hp
- 479 lb-ft
- 3.9 sec (0-60 mph)
- Launch date: Late 2017

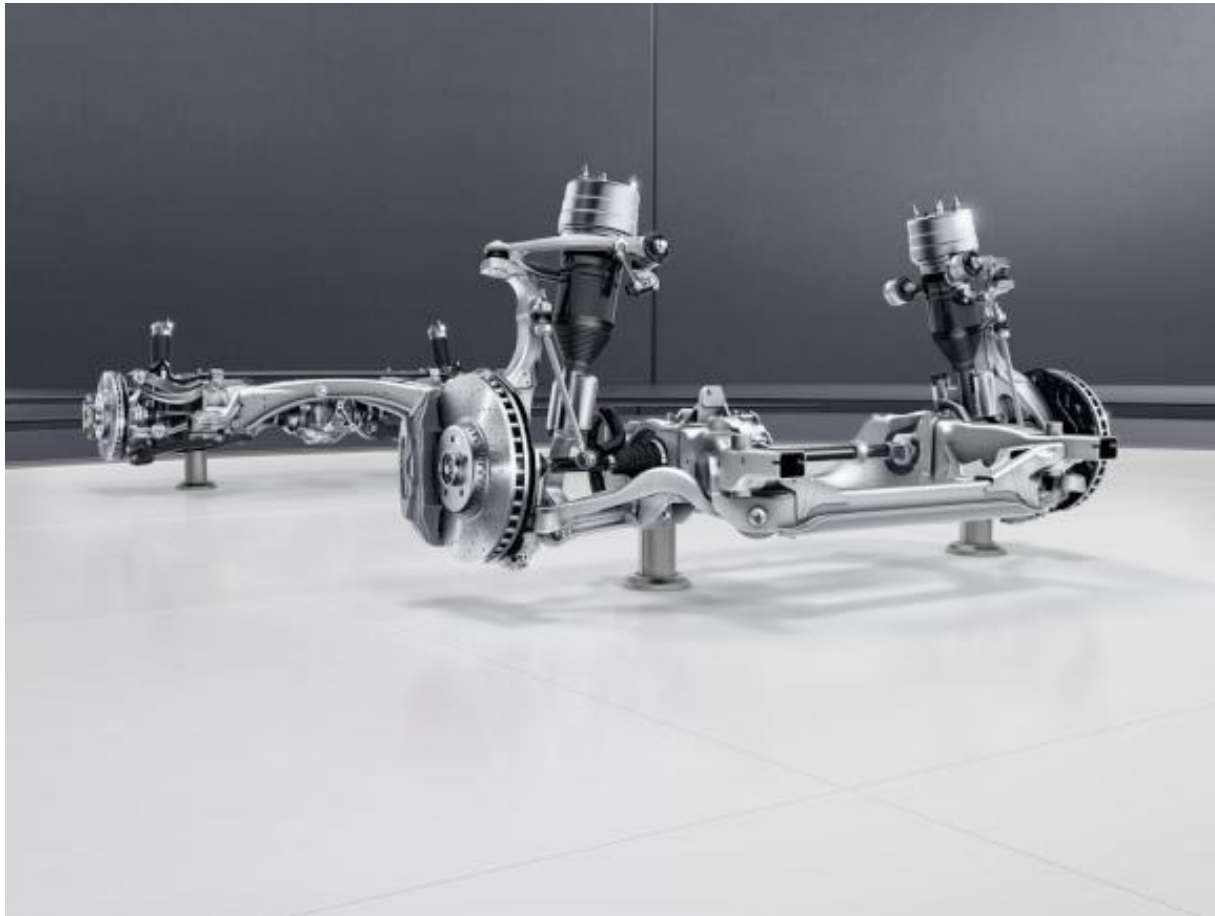
## *Standard Equipment*

- AMG Performance 4MATIC+ (*GLC63 only*)
- AMG SPEEDSHIFT® MCT 9-Speed Transmission (*GLC63 only*)
- Storage Package becomes standard (seatback pockets, storage nets, rear seat release switches in cargo area)
- Heated windscreen wiper system (875) becomes standard
- Front passenger seat memory function (242) becomes standard
- Distinct Panamericana grille now available on GLC 63

## *Optional Equipment*

- New 'Categorical' packaging strategy
- Smartphone Integration Package (868) available as of August production (*Not available w/ Multimedia Package (320)*)
- Removable Ski and Snowboard Bag available (282)
- Telescopic Cargo Rods (895) available
- Cargo Protection and Sill Guard (942) becomes available
- AMG Track Pace (255) becomes available as a standalone option (*Requires Multimedia Package (320)*)
- AMG Performance Exhaust System becomes available (U78)
- New wheel designs for GLC63/63 S models

## *AMG Performance 4MATIC+*



### **AMG Performance 4MATIC+**

*GLC63 only (standard)*

The performance-oriented all-wheel drive with fully variable torque distribution combines optimum traction, hallmark AMG driving dynamics and the ultimate in driving enjoyment. It improves handling safety and road-holding on wet or wintry road surfaces. Thanks to the fully variable torque distribution the driver benefits from the advantages of all-wheel drive and rear-wheel drive in equal measure. An electronically controlled clutch provides for variable connection of the permanently driven rear axle with the front axle. The ideal torque distribution is calculated continuously, according to the given driving situation and the driver's wishes. This enables a seamless transition from traction-oriented all-wheel drive to 100% rear-wheel drive. In addition to traction and transverse dynamics, the all-wheel drive also improves the longitudinal dynamics of the vehicle for even more dynamic acceleration.

The interaxle transfer case transfers the torque via the compact beveloid output shaft to the front-axle differential. The power transmission from the front axle differential to the front left drive shaft is enabled by an intermediate shaft, which passes through a tube that is encapsulated in the engine oil pan. The compact design ensures that no space is lost inside the vehicle.

- Combines the advantages of an all-wheel drive with those of a rear-wheel drive: optimum traction, hallmark AMG vehicle dynamics and maximum driving pleasure
- Improved handling safety and road-holding on wet or wintry road surfaces
- A variable multi-plate clutch guarantees full realization of the road adhesion potential of all four wheels, especially on snow or ice.
- Improved longitudinal dynamics for even more dynamic acceleration
- The compact, lightweight design avoids any loss of space in the interior

## *Performance & Handling*

- GLC43: AMG Enhanced 3.0L V6 Biturbo (362 hp, 384 lb-ft torque)
- GLC63: Handcrafted AMG 4.0L V8 Biturbo (469 hp, 479 lb-ft torque)
- AMG Sport Suspension based on AIR BODY CONTROL
- GLC43: AMG Enhanced 9G-TRONIC 9-speed Automatic Transmission
- GLC63: AMG SPEEDSHIFT® MCT 9-Speed Transmission
- GLC63: Mechanical rear-axle limited-slip differential
- GLC43: AMG Performance 4MATIC (31:69)
- GLC63: AMG Performance 4MATIC+ (fully variable torque distribution)
- GLC63: AMG High Performance Braking System
- AMG DYNAMIC SELECT
- 3-Stage ESP

## *Comfort & Convenience*

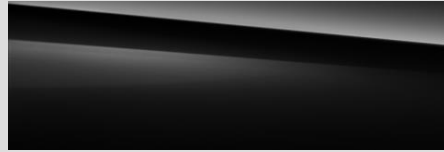
- KEYLESS START & KEYLESS GO
- Power Folding Mirrors
- Audio System with CD drive
- GLC63: Burmester® Surround Sound System
- Two USB Ports
- Bluetooth® Technology (for Handsfree Phone Use/Audio Streaming)
- SiriusXM Satellite Radio
- HD Radio
- Power Heated Front Seats with Driver Memory
- 4-way Lumbar Support
- Power Tilt & Telescoping Steering Column
- Electronic Cruise Control
- Power Windows with Express Up and Down
- Storage Package
- Central Controller with 7" high-mounted tablet-style color display
- Multifunction leather steering wheel
- Pre-wiring for GARMIN® Map Pilot
- Dual-Zone Automatic Climate Control
- Garage Door Opener
- Intermittent Wipers with Rain Sensor
- Auto-Dimming Driver & Rearview Mirror
- Front and Rear Cupholders
- Split-Folding Rear Seats (40/20/40)
- Power Liftgate
- Automatic Headlamps with Twilight Sensor & Locator Lighting
- GLC63: LED headlamps
- 115V AC Power Outlet

## *Safety & Security*

- New Vehicle 4 Year/50,000 Mile Warranty
- 24h Roadside Assistance Program
- 3-point Seat Belt with Pre-tensioners & Dual-Stage Belt Force Limiter
- Front Dual-Stage Airbags
- Front and Rear Side Window Airbags
- Front Side Airbags
- Driver Knee Airbag
- Rearview Camera
- ISOFIX Anchor and Tether System
- ATTENTION ASSIST Driver Drowsiness Monitor
- COLLISION PREVENTION ASSIST PLUS (CPA+)
- PRE-SAFE
- Smart Key with Panic Button
- Tire Pressure Monitoring System
- Anti-theft Alarm System
- Blind Spot Assist

# Exterior Paint Colors

## Non-metallic Paints

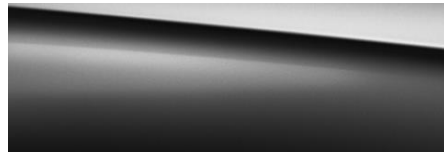


040  
Black  
*Option price: \$0*

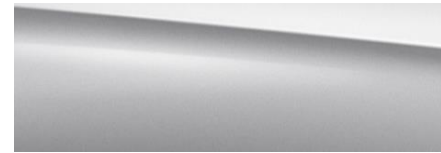


149  
Polar White  
*Option price: \$0*

## Metallic Paints



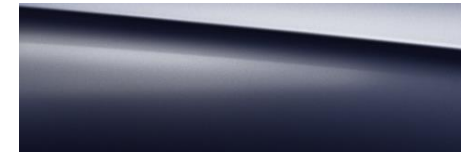
197  
Obsidian Black  
*Option price: \$720*



775  
Iridium Silver  
*Option price: \$720*



796  
Dakota Brown  
*Option price: \$720*



890  
Lunar Blue  
*Option price: \$720*



896  
Brilliant Blue  
*Option price: \$720*



992  
Selenite Grey  
*Option price: \$720*



988  
Diamond Silver  
*Option price: \$720*

## designo® Paints



271  
Dakota Brown Magno  
*Option price: \$3,950*



799  
Diamond White  
*Option price: \$1,515*



996  
Cardinal Red  
*Option price: \$1,080*



92R  
20" AMG Multi-Spoke  
R02, R66  
Option price: \$0  
GLC43 only



93R  
20" AMG Multi-Spoke  
R02, R66  
Option price: \$0  
GLC43 only



650  
21" AMG Twin 5-Spoke  
R01  
Option price: \$1,000  
GLC43 only



684  
21" AMG Twin 5-Spoke  
R01  
Option price: \$1,000  
GLC43 only



RZS  
20" AMG Twin 5-Spoke  
R01, B51  
\$0  
GLC63 only



RZT  
20" AMG Twin 5-Spoke, Black  
R01, B51  
\$tbd  
GLC63 only



RWA  
21" AMG Twin 5-Spoke  
R01, B51  
\$tbd  
GLC63 only



RWB  
21" AMG Twin 5-Spoke, Black  
R01, B51  
\$tbd  
GLC63 only



Code	Wheel Size	Description	Wheel Dimensions	Mobility	Availability	MSRP
92R	20"	AMG Multi-spoke Wheel	225/45 R20 on 8.5 J x 20 ET 40 285/40 R20 on 9.5 J x 20 ET 22	Front Rear	R02, R66	GLC43 \$0
93R	20"	AMG Multi-spoke Wheel	255/40 R20 on 8.5 J x 20 ET 40 285/40 R20 on 9.5 J x 20 ET 22	Front Rear	R02, R66	GLC43 \$0
650	21"	AMG Twin 5-spoke Wheel	255/40 R21 on 8.5 J x 21 ET 40 285/35 R21 on 9.5 J x 21 ET 22	Front Rear	R01	GLC43 \$1,000
684	21"	AMG Twin 5-spoke Wheel	255/40 R21 on 8.5 J x 21 ET 40 285/35 R21 on 9.5 J x 21 ET 22	Front Rear	R01	GLC43 \$1,000
RZS	20"	AMG Twin 5-spoke Wheel	265/45 R20 on 9.5 J x 20 ET 30 295/40 R20 on 10 J x 20 ET 28	Front Rear	R01, B51	GLC63 Tbd
RZT	20"	AMG Twin 5-spoke Wheel, Black	265/45 R20 on 9.5 J x 20 ET 30 295/40 R20 on 10 J x 20 ET 28	Front Rear	R01, B51	GLC63 Tbd
RWA	21"	AMG Twin 5-spoke Wheel	265/40 R21 on 9.5 J x 21 ET 30 295/35 R21 on 10 J x 21 ET 28	Front Rear	R01, B51	GLC63 Tbd
RWB	21"	AMG Twin 5-spoke Wheel, Black	265/40 R21 on 9.5 J x 21 ET 30 295/35 R21 on 10 J x 21 ET 28	Front Rear	R01, B51	GLC63 Tbd



641

Black MB-Tex w/ DINAMICA and Red Stitching

*Option price: \$0*

*GLC43 only*



611

Black MB-Tex w / DINAMICA

*Option price: \$tbd*

*GLC63 only*

# Interior Upholstery – Leather



221  
Black  
Option price: \$1,620  
GLC43 only



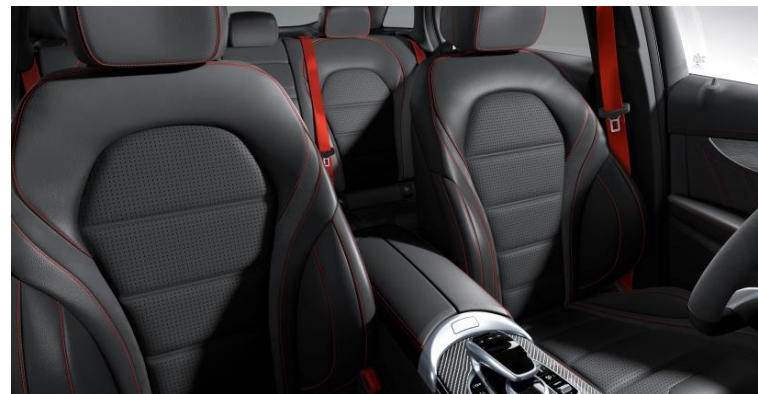
224  
Espresso Brown/Black  
Option price: \$1,620  
GLC43 only



225  
Silk Beige/Espresso Brown  
Option price: \$1,620  
GLC43 only



234  
Saddle Brown/Black  
Option price: \$1,620  
GLC43 only



241  
Black w/ Red Stitching  
Option price: \$1,620  
GLC43 only

# Interior Upholstery – Nappa Leather



857  
Black/Red Pepper  
*Option price: \$tbd*  
*GLC63 only*



801  
Black  
*Option price: \$tbd*  
*GLC63 only*

# Interior Upholstery – *designo* Nappa Leather



GLC43: 975

GLC63: 965

Platinum White Pearl/Black

*Option price: \$tbd*

*Requires P62 designo Package and 737 Trim*



GLC43: 971

GLC63: 961

Black/Black

*Option price: \$tbd*

*Requires P87 designo Package and H07 Trim*



51U

Black Fabric Headliner

*Option price: \$0*

*Standard with all upholsteries except Silk  
Beige/Esspresso Brown Leather (225)*

*Standard on GLC63*



55U

Porcelain Fabric Headliner

*Option price: \$0*

*Requires Silk Beige/Esspresso Brown Leather (225)*

*GLC43 only*

# Interior Upholstery



<i>Code</i>	<i>Upholstery</i>	<i>Seats</i>	<i>Floor Mats</i>	<i>Upper Dash/Lower Dash</i>	<i>Seat Belts</i>	<i>Steering Wheel</i>	<i>Headliner</i>
641	Black MB-Tex/DINAMICA with red stitching	Black	Black	Black/Black	Red	Black	Black
611	Black MB-Tex/DINAMICA	Black	Black	Black	Black	Black	Black
221	Black	Black	Black	Black/Black	Black	Black	Black
224	Espresso Brown/Black	Espresso Brown	Espresso Brown	Espresso Brown/Black	Black	Espresso Brown	Black
225	Silk Beige/ Espresso Brown	Silk Beige	Espresso Brown	Espresso Brown/Silk Beige	Silk Beige	Espresso Brown	Porcelain
234	Saddle Brown/ Black	Saddle Brown	Black	Black/Saddle Brown	Black	Black	Black
241	Black with Red Stitching	Black	Black	Black	Red	Black	Black
801	Black Nappa	Black	Black	Black	Black	Black	Black
857	Black/Red Pepper Nappa	Red Pepper/Black	Black	Black	Black	Black	Black
961	<i>designo</i> Black Nappa	Black	Black	Black	Black	Black	Black
965	<i>designo</i> Platinum White Pearl/Black Nappa	Platinum White Pearl/Black	Black	Black	Black	Black	Black
971	<i>designo</i> Black Nappa	Black	Black	Black	Black	Black	Black
975	<i>designo</i> Platinum White Pearl/Black Nappa	Platinum White Pearl/Black	Black	Black	Black	Black	Black

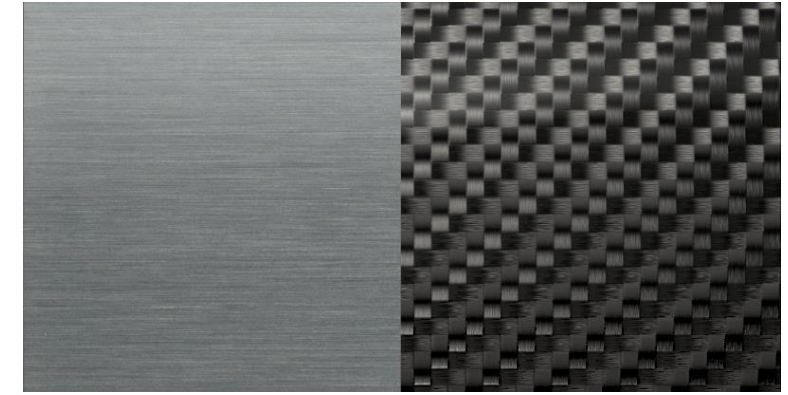
# Interior Trims



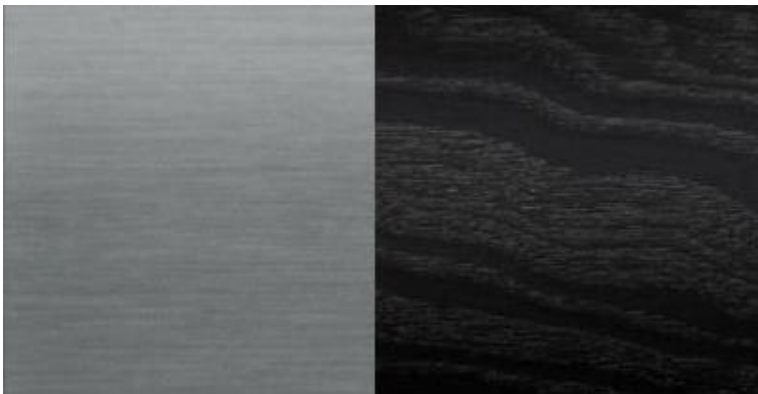
H07  
Dark Brown Linden Wood  
*Option price: \$0*



H24  
Light Brown Linden Wood  
*Option price: \$0*



H73  
AMG Carbon Fiber  
*Option price: \$975*



737  
Natural Grain Black Ash Wood & Aluminum Trim  
*Option price: \$0*



<i>Code</i>	<i>Packages</i>	<i>Availability</i>	<i>MSRP</i>
P01	<b>Premium Package</b> <i>Standard</i> <ul style="list-style-type: none"> <li>▪ 889 – KEYLESS GO</li> <li>▪ 234 – Blind Spot Assist</li> <li>▪ 536 – SiriusXM® Satellite Radio</li> <li>▪ U80 – 115V AC power outlet</li> </ul>	All Models	\$ 0
319	<b>Advanced Lighting Package</b> <i>Not with Static LED Headlamps (632)</i> <ul style="list-style-type: none"> <li>▪ 640 – Active LED headlamps</li> <li>▪ 608 – Adaptive Highbeam Assist</li> <li>▪ 877 – Multicolor Ambient Lighting</li> <li>▪ U25 – AMG Illuminated Door Sills</li> </ul>	All Models	\$ 1,900
320	<b>Multimedia Package</b> <i>Not available with Smartphone Integration Package (868)</i> <ul style="list-style-type: none"> <li>▪ 531 – COMAND navigation</li> <li>▪ 502 – Navigation map updates for 3 years</li> <li>▪ 448 – Touchpad</li> <li>▪ 815 – Single-disc CD/DVD player</li> </ul>	All Models	\$ 2,200
996	<b>Advanced Parking Assist Package</b> <i>Not available with Trailer Hitch (550)</i> P44 – Parking Package with Surround View System P17 – HANDS-FREE ACCESS Package 235 – PARKTRONIC w/ Active Parking Assist	All Models	\$ 1,290

<i>Code</i>	<i>Packages</i>	<i>Availability</i>	<i>MSRP</i>
997	<p><b>Driver Assistance Package</b>  <i>Requires Multimedia Package (320)</i></p> <ul style="list-style-type: none"> <li>▪ 23P - Driver Assistance Package Plus</li> <li>▪ 233 - DISTRONIC PLUS with Steering Pilot</li> <li>▪ 237 - Active Blind Spot Assist</li> <li>▪ 238 - Active Lane Keeping Assist</li> <li>▪ 253 - PRE-SAFE® PLUS</li> <li>▪ 268 - BAS PLUS with Cross-Traffic Assist</li> <li>▪ 300 - PRE-SAFE® Brake with Pedestrian Recognition</li> <li>▪ 513 - Speed Limit Assist</li> </ul>	All Models	\$ 3,150
521	<p><b>AMG Night Package</b>  <i>GLC43 requires choice of wheel 93R or 684</i></p> <p>GLC43: Gloss black elements include front simulated underguard, front fins, and rear diffuser trim; roof rails in black and exhaust tailpipes in black chrome</p> <p>GLC63: Gloss black elements include front splitter, side sill inserts, exterior mirror housings, shoulderline trim strip and window frame; roof rails in matte black; exhaust tailpipes in black chrome</p>	All Models	\$ 200
868	<p><b>Smartphone Integration Package - Delayed Until 09/17 Production</b>  <i>Not available with Multimedia Package (320)</i></p> <ul style="list-style-type: none"> <li>▪ 14U - Smartphone Integration</li> <li>▪ 16U - Apple CarPlay™</li> <li>▪ 17U - Android Auto</li> </ul>	All Models	\$ 350

<i>Code</i>	<i>Packages</i>	<i>Availability</i>	<i>MSRP</i>
P62	<p><b><i>designo</i> Platinum White Pearl/Black Nappa Leather Package</b>  <i>Requires Natural Grain Black Ash Wood and Aluminum Trim (737)</i></p> <ul style="list-style-type: none"> <li>▪ <i>designo</i> Platinum White Pearl / Black Two-Tone Nappa Leather seats in diamond quilt design, with white contrast stitching, and <i>designo</i> badge on backrests of front and rear seats (interior code 975 on GLC43, interior code 965 on GLC63)</li> <li>▪ Center door panels and armrests in Platinum White Pearl</li> </ul>	All Models	\$ Tbd
P87	<p><b><i>designo</i> Black Nappa Leather Package</b>  <i>Requires Dark Brown Linden Wood Trim (H07)</i></p> <ul style="list-style-type: none"> <li>▪ <i>designo</i> Black Nappa Leather seats in diamond quilt design, with crystal grey contrast stitching, and <i>designo</i> badge on backrests of front and rear seats (interior code 971 on GLC43, interior code 961 on GLC63)</li> <li>▪ Center door panels and armrests in Black with crystal grey contrast stitching</li> </ul>	All Models	\$ Tbd
B28	<p><b>Exterior Carbon Fiber Package</b></p> <ul style="list-style-type: none"> <li>• GLC43: AMG Exterior Mirror Housings in Carbon Fiber</li> <li>• GLC63: AMG Exterior Mirror Housings and AMG Spoiler Lip in Carbon Fiber</li> </ul>	GLC43 GLC63	\$ 1,200 \$ Tbd

# Stand-Alone Options



<i>Code</i>	<i>Options</i>	<i>MSRP</i>
282	Ski and Snowboard Bag	\$ 250
313	Manual Rear-Side Window Sunshades	\$ 380
401	Heated and Ventilated Front Seats <i>Requires leather upholstery</i>	\$ 450
413	Panorama Roof <i>Steel Roof is standard without sunroof</i>	\$ 1,500
443	Heated Steering Wheel <i>Not with 224 &amp; 225 upholsteries; only available on GLC43</i>	\$ 250
463	Head-Up Display with AMG-specific Content	\$ 990
550	Trailer Hitch – Class II Hitch <i>Not with Advanced Parking Assist Package (996)</i>	\$ 575
632	LED Headlamps <i>Standard on GLC63; Not available with Advanced Lighting Package (319)</i>	\$ 850
810	Burmester® Surround Sound System <i>Standard on GLC63</i>	\$ 850
846	Brushed Aluminum Running Boards	\$ 670
872	Heated Rear Seats ( <i>must have 873 or 401</i> )	\$ 580
B51	TIREFIT <i>Standard on GLC63; For GLC43, only with 21" wheels (650, 684)</i>	\$ 0
P21	AIR BALANCE Cabin-air Purification and Fragrance System	\$ 350
U17	Replace Red Seatbelts with Black <i>Only available on GLC43; Requires 641 and 241 upholsteries</i>	\$ 0
255	AMG Track Pace Application <i>Requires Multimedia Package (320)</i>	\$ 150

# Stand-Alone Options



<i>Code</i>	<i>Options</i>	<i>MSRP</i>
895	Telescopic Cargo Rods	\$ 200
942	Cargo Protection and Sill Guard	\$ 100
U78	AMG Performance Exhaust System	\$ 1,250

# Stand-Alone Options



<i>Code</i>	<i>VPC Installed Accessories</i>	<i>MSRP</i>	
00A	Illuminated Star <i>Not with Driver's Assistance Package (997)</i>	\$	500
03A	SD-Card for GARMIN® Map Pilot Navigation <i>Not with Multimedia Package (320)</i>	\$	625
15A	LED Logo Projector	\$	200
16A	Carbon Fiber Look Exterior Mirror Covers <i>Only available on GLC63; Not available with AMG Carbon Fiber Exterior Package (B28) or AMG Night Package (521)</i>	\$	250
068	Wheel Locks	\$	150
070	Chrome Door Handles	\$	100
105	Roof Spoiler	\$	350
<i>Code</i>	<i>Special Order Options (Additional Charge of \$250)</i>	<i>MSRP</i>	
293	Rear Side Air Bags	\$	420

## *Steering Wheels*



### **Sport Steering Wheel**

*Option price: \$0*

*GLC43 only*

*Not available with 224 and 225 upholstery.*

The 12 ergonomic control buttons on the leather multifunction sport steering wheel with flattened bottom section enable operation of the display menus in the instrument cluster and the Audio/COMAND display on the left. On the right, the driver can control the volume of audio devices, telephone and navigation system. Silver-colored aluminum shift paddles emphasize the sporty appeal.



### **Heated Steering Wheel (443)**

*Option price: \$250*

*GLC43 only*

*Not with 224 & 225 upholstery*

On cold days, heating of the steering wheel rim very rapidly ensures cozy temperatures of the grip area and thus also warm hands. The temperature oscillates around 95°F.

## Steering Wheels



### AMG Performance Steering Wheel in Nappa (L6J)

*Option price: \$tbd*

*Standard on GLC63*

For outstanding vehicle control, the AMG Performance steering wheel in nappa leather features a flattened bottom section as well as perforated grip areas. The sporty design is completed by silver-colored aluminum shift paddles and a 12-o'clock marker.



### AMG Performance Steering Wheel in Nappa/DINAMICA (L6K)

*Option price: \$tbd*

*Optional on GLC63 only*

For even better grip during sporty maneuvers, the grip area on the AMG Performance steering wheel in nappa leather is finished in DINAMICA microfiber. The steering wheel bezel comes in silver chrome with "AMG" lettering, silver-colored aluminum shift paddles and a 12-o'clock marker to round off the design.



## AMG Track Pace App for Apple iPhone® (255)



### AMG Track Pace App for Apple iPhone® (255)

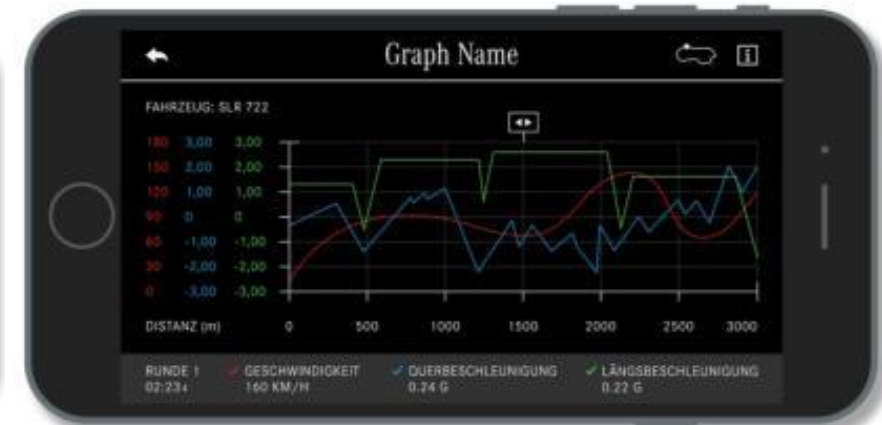
Option price: \$150

Requires Multimedia Package (320)

With the "AMG Track Pace" app, a smartphone can be turned into a personal racing engineer. This enables lap/sector times or even videos to be recorded and analyzed. Another attractive feature is the option to exchange data with other AMG drivers e.g. via social networks.

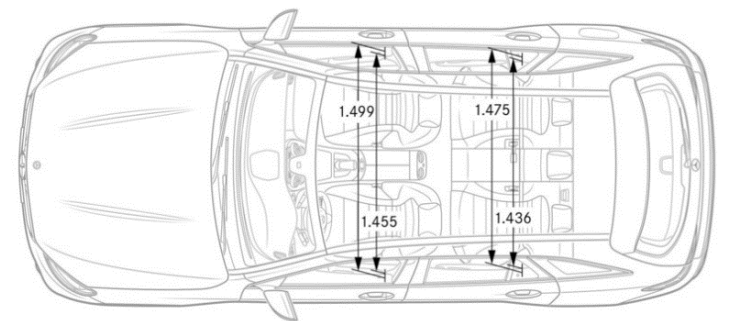
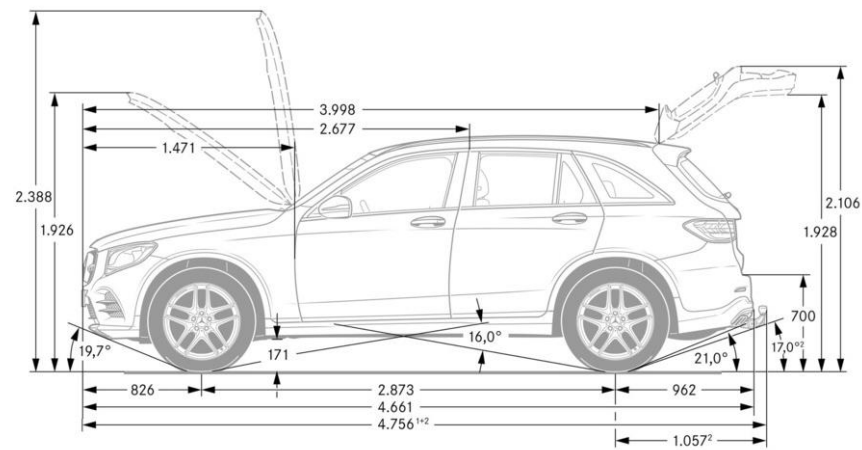
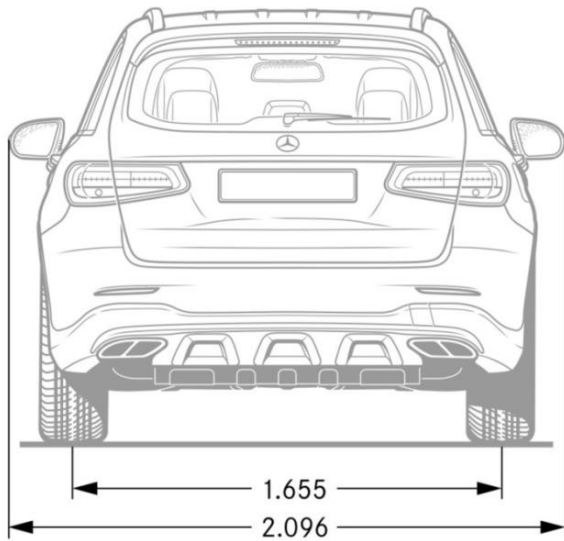
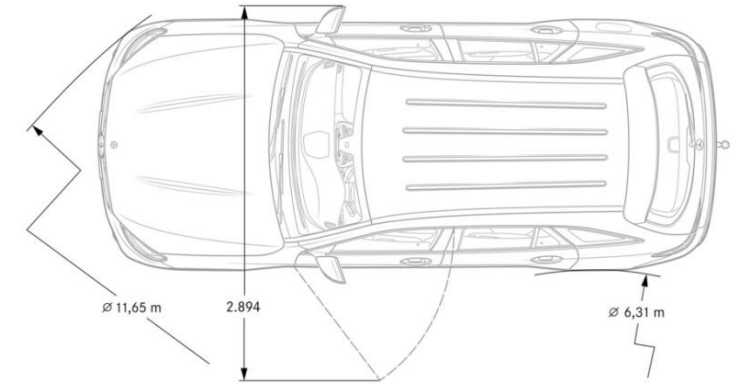
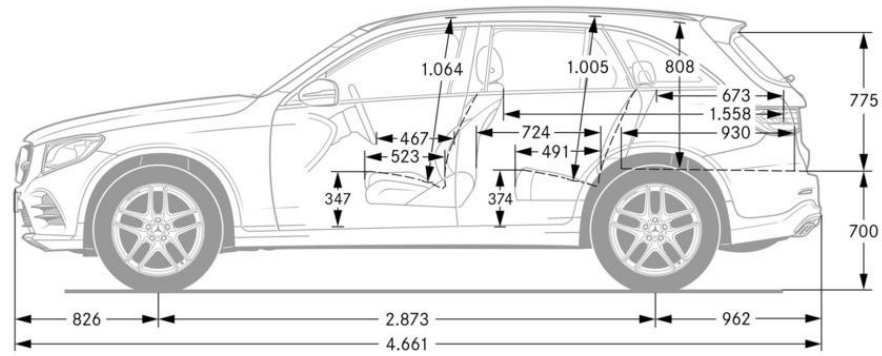
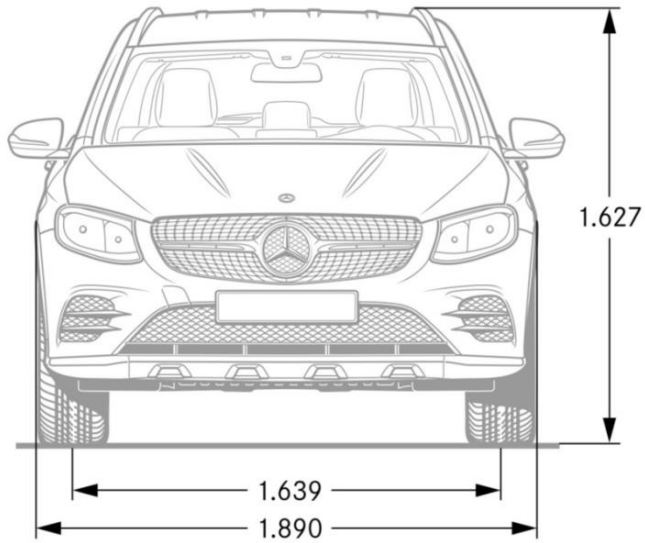
Overview of the AMG Track Pace app:

- Stores vehicle-specific data (e.g. speed, acceleration) as well as lap and sector times
- Video recordings via smartphone/GoPro are also possible
- Driving ability can be analyzed and improved in a targeted manner
- Connection via WLAN
- Exchange data with other AMG drivers via social networks such as Facebook (Share function) or the AMG Private Lounge



	<i>AMG GLC 43</i>	<i>AMG GLC 63</i>
Engine Configuration	AMG-enhanced 3.0L V6 biturbo engine	Handcrafted AMG 4.0L V8 biturbo engine
Power (hp)	362	469
Torque (lb-ft)	384	479
Displacement (cc)	2,996	3,982
Acceleration 0-60 mph (sec)	4.8	3.9
Fuel Economy (Cty/Hwy/Comb)	Tbd	Tbd
Top Speed (mph)	130 (lim.)	155 (lim.)
Fuel Requirement (Octane)	91	91
# Valves per cylinder	4	4
Compression	10.7 : 1	10.5 : 1
Transmission	AMG-enhanced 9G-TRONIC	AMG SPEEDSHIFT® MCT 9-Speed
Transmission Speeds	9	9
Drive Configuration	All-Wheel Drive	All-Wheel Drive
Fuel Tank Size (gallons)	17.4	17.4
Trunk Size (cubic feet)	56.5	56.5
Curb Weight (lbs)	4,145	Tbd
Vehicle Length (in.)	183.5	184.2
Vehicle Width w/ exterior mirrors (in.)	82.5	82.5
Vehicle Height (in.)	64.1	63.8
Wheelbase (in.)	113.1	113.1
Track Width Front/Rear (in.)	64.5/65.2	66.3/65.7
Coefficient of Drag (Cd)	n/a	n/a

# Specifications\* – GLC 43 SUV



# Specifications\* – GLC 63 SUV

