

# AMG GLC Coupe



C253

Model Year 2018

Preliminary - Subject to Change

**AMG**  
DRIVING PERFORMANCE

*GLC43 4MATIC, GLC63 4MATIC+, and GLC63 S 4MATIC+*



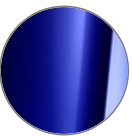
Models



What's new



Standard Equipment



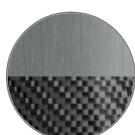
Exterior Paint Colors



Wheels



Interior Upholstery



Interior Trims



Option Packages



Stand-Alone Options



Options in Detail



Build Recommendations



Specifications



*AMG GLC 43 (253.364)*

- MSRP \$60,400
- AMG-enhanced 3.0L V6 biturbo engine
- 362 hp
- 384 lb-ft
- 4.8 sec (0-60 mph)
- Launch date: 7/2017



*AMG GLC 63 (253.388)*

- MSRP \$73,150
- Handcrafted AMG 4.0L V8 biturbo engine
- 469 hp
- 479 lb-ft
- 3.9 sec (0-60 mph)
- Launch date: Q1 2018



*AMG GLC 63 S (253.389)*

- MSRP \$80,750
- Handcrafted AMG 4.0L V8 biturbo engine
- 503 hp
- 516 lb-ft
- 3.7 sec (0-60 mph)
- Launch date: Q1 2018



## Standard Equipment

- AMG Performance 4MATIC+ (GLC63/63 S only)
- AMG SPEEDSHIFT® MCT 9-Speed Transmission (GLC63/63 S only)
- Storage Package becomes standard (seatback pockets, storage nets, rear seat release switches in cargo area)
- Front passenger seat memory function becomes standard
- Heated Windscreen Wiper System becomes standard
- Distinct Panamericana grille now available on GLC63 and GLC63 S

## Optional Equipment

- New 'Categorical' packaging strategy
- Smartphone Integration Package (868) available as of August production (Not available w/ COMAND)
- Removable Ski and Snowboard Bag available (282)
- AMG Track Pace (255) becomes available as a standalone option (Requires Multimedia Package)
- AMG Performance Exhaust System becomes available (U78)
- New wheel designs for GLC63/63 S models



## AMG Performance 4MATIC+



### AMG Performance 4MATIC+ GLC63/63 S only (standard)

The performance-oriented all-wheel drive with fully variable torque distribution combines optimum traction, hallmark AMG driving dynamics and the ultimate in driving enjoyment. It improves handling safety and road-holding on wet or wintry road surfaces. Thanks to the fully variable torque distribution the driver benefits from the advantages of all-wheel drive and rear-wheel drive in equal measure. An electronically controlled clutch provides for variable connection of the permanently driven rear axle with the front axle. The ideal torque distribution is calculated continuously, according to the given driving situation and the driver's wishes. This enables a seamless transition from traction-oriented all-wheel drive to 100% rear-wheel drive. In addition to traction and transverse dynamics, the all-wheel drive also improves the longitudinal dynamics of the vehicle for even more dynamic acceleration.

The interaxle transfer case transfers the torque via the compact beveloid output shaft to the front-axle differential. The power transmission from the front axle differential to the front left drive shaft is enabled by an intermediate shaft, which passes through a tube that is encapsulated in the engine oil pan. The compact design ensures that no space is lost inside the vehicle.

- Combines the advantages of an all-wheel drive with those of a rear-wheel drive: optimum traction, hallmark AMG vehicle dynamics and maximum driving pleasure
- Improved handling safety and road-holding on wet or wintry road surfaces
- A variable multi-plate clutch guarantees full realization of the road adhesion potential of all four wheels, especially on snow or ice.
- Improved longitudinal dynamics for even more dynamic acceleration
- The compact, lightweight design avoids any loss of space in the interior

# Standard Equipment



## Performance & Handling

- GLC43: AMG Enhanced 3.0L V6 Biturbo (362 hp, 384 lb-ft torque)
- GLC63: Handcrafted AMG 4.0L V8 Biturbo (469 hp, 479 lb-ft torque)
- GLC63 S: Handcrafted AMG 4.0L V8 Biturbo (503 hp, 516 lb-ft torque)
- AMG Sport Suspension based on AIR BODY CONTROL
- GLC43: AMG Enhanced 9G-TRONIC 9-speed Automatic Transmission
- GLC63/63 S: AMG SPEEDSHIFT® MCT 9-Speed Transmission
- GLC63/63 S: AMG High Performance Braking System

- GLC63: Mechanical rear-axle limited-slip differential
- GLC63 S: Electronic rear-axle limited-slip differential
- GLC43: AMG Performance 4MATIC (3.1:69)
- GLC63/63 S: AMG Performance 4MATIC+ (fully variable torque distribution)
- AMG DYNAMIC SELECT (GLC63 S includes RACE mode)
- 3-Stage ESP

## Comfort & Convenience

- KEYLESS START & KEYLESS GO
- Power Folding Mirrors
- Audio System with CD drive
- GLC63/63 S: Burmester® Surround Sound System
- Two USB Ports
- Bluetooth® Technology (for Handsfree Phone Use/Audio Streaming)
- HD Radio
- SiriusXM Satellite Radio
- Power and Heated Front Seats with Memory
- 4-way Lumbar Support
- Power Tilt & Telescoping Steering Column
- Electronic Cruise Control
- Power Windows with Express Up and Down
- Automatic Headlamps with Twilight Sensor & Locator Lighting

- Central Controller with 7" high-mounted tablet-style color display
- Multifunction leather steering wheel
- Pre-wiring for GARMIN® Map Pilot
- Dual-Zone Automatic Climate Control
- Garage Door Opener
- Intermittent Wipers with Rain Sensor
- Sliding Sunroof
- LED Headlamps and taillights
- Auto-Dimming Driver & Rearview Mirror
- Front and Rear Cupholders
- Split-Folding Rear Seats (40/20/40)
- Power Liftgate
- 115V AC Power Outlet

## Safety & Security

- New Vehicle 4 Year/50,000 Mile Warranty
- 24 Roadside Assistance Program
- 3-point Seat Belt with Pretensioners & Dual-Stage Belt Force Limiter
- Front Dual-Stage Airbags
- Front and Rear Side Window Airbags
- Front Side Airbags
- Driver Kneebag
- Rearview Camera

- ISOFIX Anchor and Tether System
- ATTENTION ASSIST Driver Drowsiness Monitor
- COLLISION PREVENTION ASSIST PLUS (CPA+)
- PRE-SAFE
- Smart Key with Panic Button
- Tire Pressure Monitoring System
- Anti-theft Alarm System
- Blind Spot Assist



# Exterior Paint Colors



## Non-metallic Paints



040  
Black  
Option price: \$0



149  
Polar White  
Option price: \$0



197  
Obsidian Black  
Option price: \$720



775  
Iridium Silver  
Option price: \$720



796  
Dakota Brown  
Option price: \$720



890  
Lunar Blue  
Option price: \$720



896  
Brilliant Blue  
Option price: \$720



992  
Selenite Grey  
Option price: \$720



988  
Diamond Silver  
Option price: \$720



271  
Dakota Brown Magno  
Option price: \$3,950



799  
Diamond White Metallic  
Option price: \$1,515



996  
Cardinal Red Metallic  
Option price: \$1,080

## designo® Paints



93R  
20" AMG Multi-Spoke  
R02, R66  
Option price: \$0  
GLC43 only



92R  
20" AMG Multi-Spoke  
R02, R66  
Option price: \$0  
GLC43 only



650  
21" AMG Twin 5-Spoke  
R01  
Option price: \$1,000  
GLC43 only



684  
21" AMG Twin 5-Spoke  
R01  
Option price: \$1,000  
GLC43 only





# Wheels



**RZS**  
20" AMG Twin 5-Spoke  
R01, B51  
\$0  
*GLC63/63 S only*



**RZT**  
20" AMG Twin 5-Spoke, Black  
R01, B51  
\$tbd  
*GLC63/63 S only*



**RWA**  
21" AMG Twin 5-Spoke  
R01, B51  
\$tbd  
*GLC63/63 S only*



**RWB**  
21" AMG Twin 5-Spoke, Black  
R01, B51  
\$tbd  
*GLC63/63 S only*



**RWD**  
21" AMG Forged Cross-Spoke  
R01, B51  
\$tbd  
*GLC63 S only*



**RWE**  
21" AMG Forged Cross-Spoke,  
Black  
R01, B51  
\$tbd *GLC63 S only*

Mercedes-Benz USA

R01: High-Performance Tires  
R02: All-Season Tires

R66: MOE Tires (Extended Mobility)  
B51: TREFIT

GLC Coupe MY18



Code	Wheel Size	Description	Wheel Dimensions	Mobility	Availability	MSRP
93R	20"	AMG Multi-Spoke Wheel w/ Black Accents	255/45 R20 on 8.5 J x 20 ET 40 285/40 R20 on 9.5 J x 20 ET 22	R02, R66	GLC43	\$ 0
92R	20"	AMG Multi-Spoke Wheel	255/45 R20 on 8.5 J x 20 ET 40 285/40 R20 on 9.5 J x 20 ET 22	R02, R66	GLC43	\$ 0
650	21"	AMG Twin 5-Spoke Wheel	255/40 R21 on 8.5 J x 21 ET 40 285/35 R21 on 9.5 J x 21 ET 22	R01	GLC43	\$ 1,000
684	21"	AMG Twin 5-Spoke Wheel w/ Black Accents	255/40 R21 on 8.5 J x 21 ET 40 285/35 R21 on 9.5 J x 21 ET 22	R01	GLC43	\$ 1,000
RZS	20"	AMG Twin 5-spoke Wheel	265/45 R20 on 9.5 J x 20 ET 30 295/40 R20 on 10 J x 20 ET 28	R01, B51	GLC63/63 S	\$ <i>tbd</i>
RZT	20"	AMG Twin 5-spoke Wheel, Black	265/45 R20 on 9.5 J x 20 ET 30 295/40 R20 on 10 J x 20 ET 28	R01, B51	GLC63/63 S	\$ <i>tbd</i>
RWA	21"	AMG Twin 5-spoke Wheel	265/40 R21 on 9.5 J x 21 ET 30 295/35 R21 on 10 J x 21 ET 28	R01, B51	GLC63/63 S	\$ <i>tbd</i>
RWB	21"	AMG Twin 5-spoke Wheel, Black	265/40 R21 on 9.5 J x 21 ET 30 295/35 R21 on 10 J x 21 ET 28	R01, B51	GLC63/63 S	\$ <i>tbd</i>
RWD	21"	AMG Forged Cross-spoke Wheel	265/40 R21 on 9.5 J x 21 ET 30 295/35 R21 on 10 J X 21 ET 28	R01, B51	GLC63 S	\$ <i>tbd</i>
RWE	21"	AMG Forged Cross-spoke Wheel, Black	265/40 R21 on 9.5 J x 21 ET 30 295/35 R21 on 10 J X 21 ET 28	R01, B51	GLC63 S	\$ <i>tbd</i>



# Interior Upholstery – MB-Tex



641  
Black MB-Tex w / DINAMICA and Red Stitching  
Option price: \$0  
GLC43 only



611  
Black MB-Tex w / DINAMICA  
Option price: \$1bd  
GLC63 only



# Interior Upholstery – Leather



221  
Black  
Option price: \$1,620  
GLC43 only



224  
Espresso Brown/Black  
Option price: \$1,620  
GLC43 only



225  
Silk Beige/Espresso Brown  
Option price: \$1,620  
GLC43 only



234  
Saddle Brown/Black  
Option price: \$1,620  
GLC43 only



241  
Black w/ Red Stitching  
Option price: \$1,620  
GLC43 only



297  
Cranberry Red/Black  
Option price: \$1,620  
GLC43 only



# Interior Upholstery – Nappa Leather



801  
Black  
Option price: \$1bd  
GLC63/63 S only



851  
Platinum White Pearl/Black  
Option price: \$1bd  
GLC63/63 S only



857  
Black/Red Pepper  
Option price: \$1bd  
GLC63/63 S only



811  
Black with Grey Accents  
Option price: \$1bd  
GLC63 S only



# Interior Upholstery – *designo* Exclusive Nappa Leather



GLC43: 971

GLC63/63 S: 961

Black/Black

Option price: \$3,100

Requires P87 *designo* Package

Requires Dark Brown Linden Wood Trim (H07)



GLC43: 975

GLC63/63 S: 965

Platinum White Pearl/Black

Option price: \$3,100

Requires P62 *designo* Package (includes Natural

Grain Black Ash Wood & Aluminum Trim)



# Interior Upholstery



<i>Code</i>	<i>Upholstery</i>	<i>Seats</i>	<i>Floor Mats</i>	<i>Upper Dash/Lower Dash</i>	<i>Seat Belts</i>	<i>Steering Wheel</i>	<i>Headliner</i>
641	Black MB-Tex/DINAMICA with Red Stitching	Black	Black	Black	Red	Black	Black
611	Black MB-Tex/DINAMICA	Black	Black	Black	Black	Black	Black
221	Black	Black	Black	Black	Black	Black	Black
224	Espresso Brown/Black	Espresso Brown	Espresso Brown (non-AMG)	Espresso Brown/Black	Black	Espresso Brown	Black
225	Silk Beige/ Espresso Brown	Silk Beige	Espresso Brown (non-AMG)	Espresso Brown/Silk Beige	Silk Beige	Espresso Brown	Porcelain
234	Saddle Brown/ Black	Saddle Brown	Black	Black/Saddle Brown	Black	Black	Black
241	Black with Red Stitching	Black	Black	Black	Red	Black	Black
297	Cranberry Red/Black Leather	Cranberry Red/ Black	Black	Black	Black	Black	Black
801	Black Nappa	Black	Black	Black	Black	Black	Black
811	Black Nappa with Grey Accents	Black w/ Grey Accents	Black	Black	Silver	Black	Black
851	Platinum White Pearl/Black Nappa	Platinum White Pearl/Black	Black	Black	Black	Black	Black
857	Black/Red Pepper Nappa	Red Pepper/Black	Black	Black	Black	Black	Black
961	<i>designo</i> Black Nappa	Black	Black	Black	Black	Black	Black
965	<i>designo</i> Platinum White Pearl/Black Nappa	Platinum White Pearl/Black	Black	Black	Black	Black	Black
971	<i>designo</i> Black Nappa	Black	Black	Black	Black	Black	Black
975	<i>designo</i> Platinum White Pearl/Black Nappa	Platinum White Pearl/Black	Black	Black	Black	Black	Black

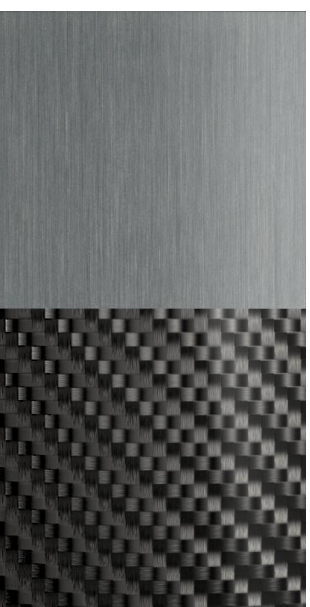
# Interior Trims



H07  
Dark Brown Linden Wood  
*Option price: \$0*



H24  
Light Brown Linden Wood  
*Option price: \$0*



H73  
AMG Carbon Fiber  
*Option price: \$975*



737  
Natural Grain Black Ash Wood/  
Brushed Aluminum Trim  
*Option price: \$0*





# Option Packages



Code	Packages	Availability	MSRP
P01	<p><b>Premium Package</b></p> <p><i>Standard</i></p> <ul style="list-style-type: none"> <li>▪ 234 - Blind Spot Assist</li> <li>▪ 536 - SiriusXM® Satellite Radio</li> <li>▪ 889 - KEYLESS-GO</li> <li>▪ U80 - 115V AC Power Outlet</li> </ul>	All Models	\$ 0
319	<p><b>Advanced Lighting Package</b></p> <ul style="list-style-type: none"> <li>▪ 640 - Active LED headlamps</li> <li>▪ 608 - Adaptive Highbeam Assist</li> <li>▪ 877 - Ambient Lighting</li> <li>▪ U25 - AMG Illuminated door sills</li> </ul>	All Models	\$ 1,050
320	<p><b>Multimedia Package</b></p> <p><i>Not available with Smartphone Integration Package (868)</i></p> <ul style="list-style-type: none"> <li>▪ 531 - COMAND navigation</li> <li>▪ 448 - Touchpad</li> <li>▪ 502 - Map Updates for 3 Years</li> <li>▪ 815 - Single-disc CD/DVD player</li> </ul>	All Models	\$ 2,200
996	<p><b>Advanced Parking Assist Package</b></p> <p><i>Not available with Trailer Hitch (550)</i></p> <ul style="list-style-type: none"> <li>▪ P44 - Surround View System</li> <li>▪ P17 - HANDS-FREE ACCESS Package</li> <li>▪ 235 - PARKTRONIC with Active Parking Assist</li> </ul>	All Models	\$ 1,290



# Option Packages



Code	Packages	Availability	MSRP
997	<p><b>Driver Assistance Package</b> <i>Requires Multimedia Package (320)</i></p> <ul style="list-style-type: none"> <li>▪ 23P - Driver Assistance Package Plus</li> <li>▪ 233 - DISTRONIC PLUS with Steering Assist and Stop &amp; Go Pilot</li> <li>▪ 237 - Active Blind Spot Assist</li> <li>▪ 238 - Active Lane Keeping Assist</li> <li>▪ 253 - PRE-SAFE® PLUS</li> <li>▪ 268 - BAS PLUS with Cross-Traffic Assist</li> <li>▪ 300 - PRE-SAFE® Brake with Pedestrian Recognition</li> <li>▪ 513 - Speed Limit Assist</li> </ul>	All Models	\$ 2,250
521	<p><b>AMG Night Package</b> <i>GLC43 requires the choice of either wheel 93R or 684</i></p> <p>GLC43: Gloss black elements include front simulated underguard, front fins, rear diffuser trim, exhaust tailpipes in black chrome</p> <p>GLC63/63 S: Gloss black elements include front splitter, side sill inserts, exterior mirror housings, shoulderline trim strip and window frame, and trim strip on rear apron; exhaust tailpipes in black chrome</p>	All Models	\$ 200
868	<p><b>Smartphone Integration Package (Delayed Availability)</b> <i>Not available with Multimedia Package (320)</i></p> <ul style="list-style-type: none"> <li>▪ 14U - Smartphone Integration</li> <li>▪ 16U - Apple CarPlay™</li> <li>▪ 17U - Android Auto</li> </ul>	All Models	\$ 350



# Option Packages



Code	Packages	Availability	MSRP
P62	<p><b>designo Platinum White Pearl/Black Nappa Leather Package</b></p> <ul style="list-style-type: none"> <li>▪ Includes Natural Grain Black Ash Wood and Aluminum Trim</li> <li>▪ 975 (965 on GLC63s) - <i>designo</i> Platinum White Pearl / Black Two-Tone Nappa Leather seats in diamond quilt design, with white contrast stitching, and <i>designo</i> badge on backrests of front and rear seats</li> <li>▪ Center door panels and armrests in Platinum White Pearl</li> </ul>	All Models	\$ 3,100
P87	<p><b>designo Black Nappa Leather Package</b></p> <p><i>Requires Dark Brown Linden Wood Trim - H07 (AMG Carbon Fiber Trim (H73) on delay)</i></p> <ul style="list-style-type: none"> <li>▪ 971 (961 on GLC63s) - <i>designo</i> Black Nappa Leather seats in diamond quilt design, with crystal grey contrast stitching, and <i>designo</i> badge on backrests of front and rear seats</li> <li>▪ Center door panels and armrests in Black with crystal grey contrast stitching</li> </ul> <p><b>AMG Exterior Carbon Fiber Package (Delayed Availability on GLC43)</b></p> <ul style="list-style-type: none"> <li>▪ AMG Carbon Fiber Exterior Mirror Covers</li> <li>▪ AMG Carbon Fiber Trunk Lid Spoiler</li> </ul>	All Models	\$ 3,100
B28	<p><b>AMG Exterior Carbon Fiber Package (Delayed Availability on GLC43)</b></p> <ul style="list-style-type: none"> <li>▪ AMG Carbon Fiber Exterior Mirror Covers</li> <li>▪ AMG Carbon Fiber Trunk Lid Spoiler</li> </ul>	All Models	\$ 1,750



# Stand-Alone Options



<i>Code</i>	<i>Options</i>	<i>Availability</i>	<i>MSRP</i>
282	Ski and Snowboard Bag		\$ 250
313	Manual Rear-Side Window Sunshades		\$ 380
401	Heated and Ventilated Front Seats <i>Requires leather upholstery</i>		\$ 450
443	Heated Steering Wheel <i>Not with 224 &amp; 225 upholstery; only available on GLC43</i>		\$ 250
463	Head-Up Display with AMG-specific Content		\$ 990
550	Class II Trailer Hitch <i>Not with Advanced Parking Assist Package (996)</i>		\$ 575
810	Burmester® Surround Sound System (standard on GLC63/63 S)		\$ 850
846	Brushed Aluminum Running Boards		\$ 670
872	Heated Rear Seats (must have 873 or 401)		\$ 580
B51	TIREFIT <i>Only with 21" wheels (650, 684) ; standard on GLC 63/63 S</i>		\$ 0
P21	AIR BALANCE Cabin-air Purification and Fragrance System		\$ 350
U17	Replace Red or Silver Seatbelts with Black <i>Requires 641, 241, or 811 upholstery</i>		\$ 0
255	AMG Track Pace App (Delayed App Availability) <i>Requires Multimedia Package (320). No cost on GLC63 S.</i>		\$ 150



# Stand-Alone Options



<i>Code</i>	<i>Options</i>	<i>MSRP</i>
895	Telescopic Cargo Rods	\$ 200
942	Cargo Protection and Sill Guard	\$ 100
U78	AMG Performance Exhaust System	\$ 1,250



# Stand-Alone Options



<i>Code</i>	<i>VPC Installed Accessories</i>	<i>MSRP</i>
00A	Illuminated Star <i>Not with Driver's Assistance Package (997)</i>	\$ 500
03A	SD-Card for GARMIN® Map Pilot Navigation <i>Not with Multimedia Package (320)</i>	\$ 625
15A	LED Logo Projectors	\$ 200
16A	Carbon Fiber Look Exterior Mirror Covers <i>Not available with Night Package (521) or AMG Exterior Carbon Fiber Package (B28)</i>	\$ 250
068	Wheel Locks	\$ 150
070	Chrome Door Handles	\$ 100
<i>Code</i>	<i>Special Order Options (Additional Charge of \$250)</i>	<i>MSRP</i>
293	Rear Side Air Bags	\$ 420



## Steering Wheels

### **Sport Steering Wheel**

*Option price: \$0*

*Not available with 224 and 225 upholstery*

*GLC43 only*

The 12 ergonomic control buttons on the leather multifunction sport steering wheel with flattened bottom section enable operation of the display menus in the instrument cluster and the Audio/COMMAND display on the left. On the right, the driver can control the volume of audio devices, telephone and navigation system. Silver-colored aluminum shift paddles emphasize the sporty appeal.



### **Heated Steering Wheel (443)**

*Option price: \$250*

*Not with 224 & 225 upholstery*

*GLC43 only*

On cold days, heating of the steering wheel rim very rapidly ensures cozy temperatures of the grip area and thus also warm hands. The temperature oscillates around 95°F.



## Steering Wheels



### **AMG Performance Steering Wheel in Nappa (L6J)**

*Option price: \$tbd*

*Standard on GLC63; optional on GLC63 S*

For outstanding vehicle control, the AMG Performance steering wheel in nappa leather features a flattened bottom section as well as perforated grip areas. The sporty design is completed by silver-colored aluminum shift paddles and a 12-o'clock marker.

### **AMG Performance Steering Wheel in Nappa/DINAMICA (L6K)**

*Option price: \$tbd*

*Standard on GLC63 S; optional on GLC63 (Delayed Availability)*

For even better grip during sporty maneuvers, the grip area on the AMG Performance steering wheel in nappa leather is finished in DINAMICA microfiber. The steering wheel bezel comes in silver chrome with "AMG" lettering, silver-colored aluminum shift paddles and a 12-o'clock marker to round off the design.

**For GLC63 S only:** If you have interior 811, stitching and 12 o'clock mark come in Grey. If you have interior 851, stitching and 12 o'clock mark come in White. If you have interior 857, stitching and 12 o'clock mark come in Red.





## AMG Track Pace App for Apple iPhone® (255)

### AMG Track Pace App for Apple iPhone® (255) (Delayed App Availability)

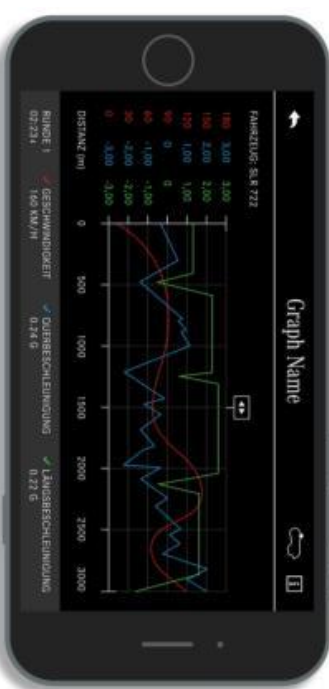
Option price: \$150

Requires Multimedia Package (320)

With the "AMG Track Pace" app, a smartphone can be turned into a personal racing engineer. This enables lap/sector times or even videos to be recorded and analyzed. Another attractive feature is the option to exchange data with other AMG drivers e.g. via social networks.

Overview of the AMG Track Pace app:

- Stores vehicle-specific data (e.g. speed, acceleration) as well as lap and sector times
- Video recordings via smartphone/GoPro are also possible
- Driving ability can be analyzed and improved in a targeted manner
- Connection via WLAN
- Exchange data with other AMG drivers via social networks such as Facebook (Share function) or the AMG Private Lounge



# Build Recommendations



## Build Recommendation for the GLC43 Coupe

Model	GLC43 Coupe	GLC43 Coupe	GLC43 Coupe
Baumuster	253364	253364	253364
Exterior Color	040 Black	992 Selenite Grey Metallic	896 Brilliant Blue Metallic
Upholstery	641 Black MB-Tex/DINAMICA	241 Black Leather w/red stitching	975 designo Platinum White Nappa Leather
Option Package	868 Smartphone Integration	320 Multimedia Package 996 Advanced Parking AssistPackage 521 Night package	320 Multimedia Package P62 <i>designo</i> Interior Package 996 Advanced Parking Assist Package 997 Driver Assistance Package 319 Advanced Lighting package
Wheel	93R 20" AMG Multi-Spoke w/black accents	93R 20" AMG Multi-Spoke w/black accents	684 21" AMG Twin 5-spoke w/black accents
Trim	737 Black ash wood/aluminum	737 Black Ash wood/aluminum	737 Black Ash wood/aluminum
Standalone Options	810 Burmester Sound System Y05 Red Seat Belts R02 All-Season Tires	810 Burmester Sound System U17 Black Seat Belts R02 All-Season Tires U78 AMG Performance Exhaust	810 Burmester Sound System 401 Heated & Ventilated Front Seats B51 Tirefit U78 AMG Performance Exhaust 255 AMG Track Pace app 463 Head up display
Estimated MSRP	\$61,600	\$68,530	\$75,700



# Build Recommendations



## Build Recommendation for the GLC63 Coupe

	GLC63 Coupe 253388	GLC63 Coupe 253388
<b>Model</b>	GLC63 Coupe	GLC63 Coupe
<b>Baumuster</b>	253388	253388
<b>Exterior Color</b>	988 Diamond Silver 801 Black Nappa Leather	040 Black 857 Black / Red Pepper
<b>Upholstery</b>		
<b>Option Package</b>	868 Smartphone Integration 996 Advanced Parking Assist Package	868 Smartphone integration 996 Advanced Parking Assist Package 319 Advanced Lighting package
<b>Wheel</b>	RZT 20" AMG Twin 5-Spoke, Black	RWA 20"
<b>Trim</b>	737 Black ash wood/aluminum	737 Black Ash wood/aluminum
<b>Standalone Options</b>	U78 AMG Performance Exhaust	401 Heated & Ventilated Front Seats U78 AMG Performance Exhaust 255 AMG Track Pace app 463 Head up display
<b>Estimated MSRP</b>	<b>\$Tbd (Low)</b>	<b>\$Tbd (High)</b>

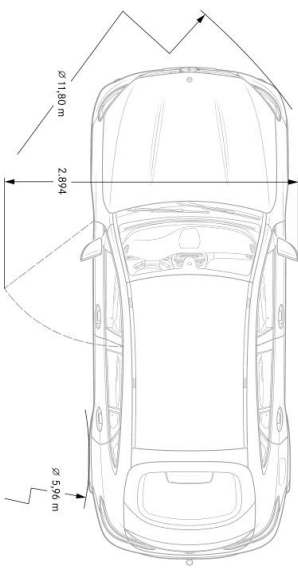
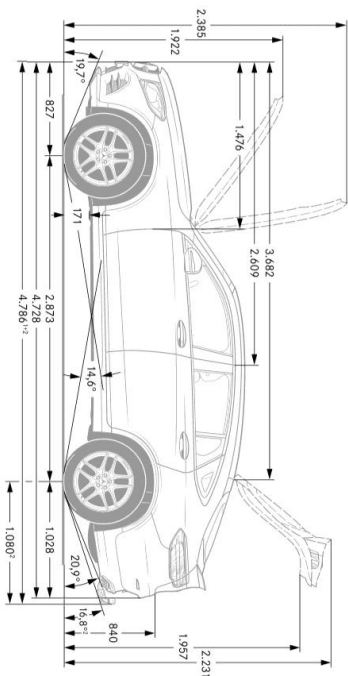
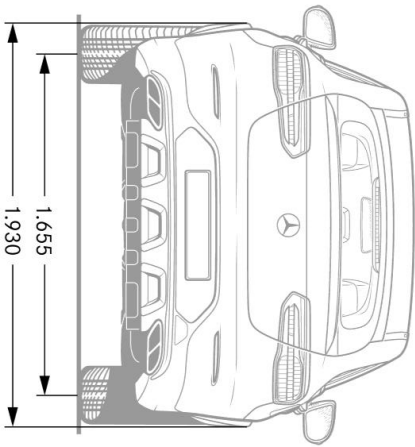
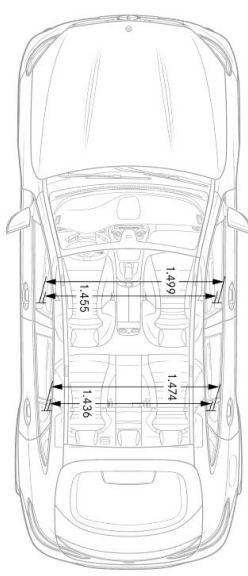
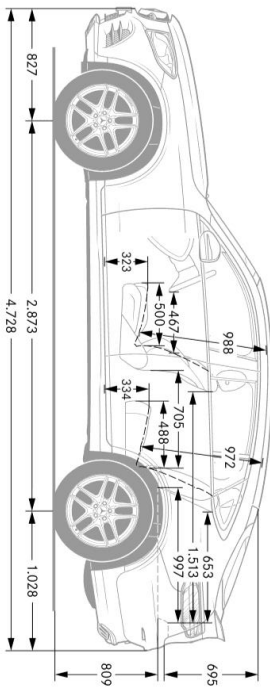
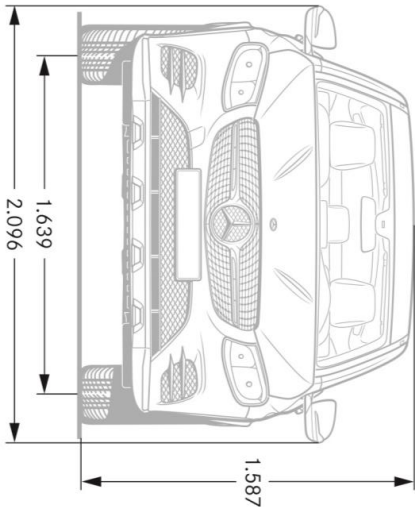


# Specifications



	<b>AMG GLC 43</b>	<b>AMG GLC 63</b>	<b>AMG GLC63 S</b>
Engine Configuration	AMG-enhanced 3.0L V6 biturbo engine	Handcrafted AMG 4.0L V8 biturbo	Handcrafted AMG 4.0L V8 biturbo
Power (hp)	362	469	503
Torque (lb-ft)	384	479	516
Displacement (cc)	2,996	3,982	3,982
Acceleration 0-60 mph (sec)	4.8	3.9	3.7
Fuel Economy (City/Hwy/Comb)	18/24/20	Tbd	tbd
Top Speed (mph)	130 (lim.)	155 (lim.)	174 (lim.)
Fuel Requirement (Octane)	91	91	91
# Valves per cylinder	4	4	4
Compression	10.7 : 1	10.5 : 1	10.5 : 1
Transmission	AMG-enhanced 9G-TRONIC	AMG SPEEDSHIFT® MCT 9-Speed	AMG SPEEDSHIFT® MCT 9-Speed
Transmission Speeds	9	9	9
Drive Configuration	All-Wheel Drive	All-Wheel Drive	All-Wheel Drive
Fuel Tank Size (gallons)	17.4	17.4	17.4
Trunk Size (cubic feet)	56.5	tbd	tbd
Curb Weight (lbs)	4,140	4,475	4,511
Vehicle Length (in.)	186.1	186.8	82.5
Vehicle Width w/ exterior mirrors (in.)	82.5	82.5	76.0
Vehicle Height (in.)	64.1	62.1	62.4
Wheelbase (in.)	113.1	113.1	113.1
Track Width Front/Rear (in.)	64.5/65.2	66.3/65.7	65.4/64.9
Coefficient of Drag (Cd)	n/a	n/a	n/a

# Specifications \* – GLC 43 Coupe 4MATIC



# Specifications \* – GLC 63 Coupe 4MATIC+

