

# 2021 GLC Coupe Order Guide



# Table of Contents

1	<a href="#">General Information</a>
2	<a href="#">What's New</a>
3	<a href="#">Models</a>
4	<a href="#">Equipment</a>
4.1	<a href="#">Standard Equipment</a>
4.2	<a href="#">Exterior Paint Colors</a>
4.3	<a href="#">Wheels</a>
4.4	<a href="#">Interior Upholstery</a>
4.5	<a href="#">Interior Trims</a>
4.6	<a href="#">Packages</a>
4.7	<a href="#">Options</a>
4.8	<a href="#">Specifications</a>
5	<a href="#">Options In Detail</a>
6	<a href="#">Build Recommendations</a>
7	<a href="#">Gallery</a>

# General Information

## Important Note

The information presented in this guide is based on the most current information available and is intended for internal use only. Mercedes-Benz reserves the right to make changes at any time, without notice, to colors, materials, equipment, special specifications and models.

Pricing may not yet be finalized for some models or options.

Due to variances among monitors and printers the colors that appear on your screen and printouts may not be exact.

For illustrative purposes, some images may show vehicles with European Specification.

## Revision History

<b>Date</b>	<b>Description</b>
05/20/2020	Initial DOG posted

# What's New

## GLC43



### Paints

- Cirrus Silver Metallic

### Options

- Dashcam
- MBUX Interior Assistant

## GLC63



### Paints

- Cirrus Silver

### Options

- MBUX Interior Assistant
- Dashcam

## GLC63 S



### Paints

- Cirrus Silver

### Options

- Dashcam
- MBUX Interior Assistant

### Standard Equipment

- PARKTRONIC w/ Active Parking Assist
- Surround View Camera

### Optional Equipment

- AMG Performance Steering Wheel in DINAMICA (L6G) no longer available on GLC43
- HANDS-FREE ACCESS (871) now a stand-alone option
- Dashcam (21U) newly available
- AMG Spoiler Lip in Gloss Black (U97) no longer available on GLC43
- MBUX Interior Assistant (77B) newly available

### Packages

- DA3 Parking Assistance Package has been dissolved, with some items standard and some now optional
- DE4/DE5 AMG Performance Studio Packages no longer available on GLC43
- DC4 Exterior Carbon Fiber Package no longer available on GLC43/63

### Paint

- Iridium Silver (775) no longer available
- New paint: Cirrus Silver Metallic (922)

### Upholstery

- Silk Beige (235) no longer available

# Models



## **GLC43 (253.364)**

- MSRP: \$64,900
- Transmission: AMG SPEEDSHIFT® TCT 9-Speed
- Transmission Speeds: 9
- Acceleration 0-60 mph (sec): 4.7
- Engine Configuration: AMG-enhanced 3.0L V6 biturbo engine
- Power (hp): 385 @ 6,100 rpm
- Torque (lb-ft): 384 @ 2,500-5,000 rpm
- Launch Date: Q4 2020



## **GLC63 (253.388)**

- MSRP: \$76,900
- Transmission: AMG SPEEDSHIFT® MCT 9-Speed
- Transmission Speeds: 9
- Acceleration 0-60 mph (sec): 3.8
- Engine Configuration: Handcrafted AMG 4.0L V8 biturbo engine
- Power (hp): 469 @ 5,500-6,250 rpm
- Torque (lb-ft): 479 @ 1,750-4,500 rpm
- Launch Date: Q4 2020



## **GLC63 S (253.389)**

- MSRP: \$84,500
- Transmission: AMG SPEEDSHIFT® MCT 9-Speed
- Transmission Speeds: 9
- Acceleration 0-60 mph (sec): 3.6
- Engine Configuration: Handcrafted AMG 4.0L V8 biturbo engine
- Power (hp): 503 @ 5,500-6,250 rpm
- Torque (lb-ft): 516 @ 1,750-4,500 rpm
- Launch Date: Q4 2020

# Standard Equipment

## GLC43



### *Performance & Handling*

- AMG Enhanced 3.0L V6 Biturbo (385 hp, 384 lb-ft torque)
- AMG SPEEDSHIFT® TCT 9-speed Transmission
- AMG DYNAMIC SELECT
- AMG Sport Suspension based on AIR BODY CONTROL
- AMG Performance 4MATIC (31:69)
- 3-Stage ESP

### *Comfort & Convenience*

- KEYLESS START & KEYLESS GO
- Bluetooth® Technology (for Handsfree Phone Use/Audio Streaming)
- SiriusXM Satellite Radio
- 4-way Lumbar Support
- Electronic Cruise Control
- Automatic Headlamps with Twilight Sensor & Locator Lighting
- 10.25" Center Media Display with touchpad
- Dual-Zone Automatic Climate Control
- Intermittent Wipers with Rain Sensor
- LED Headlamps and taillights
- Front and Rear Cupholders
- Power Liftgate
- Smartphone Integration (Apple CarPlay and Android Auto)
- Power Folding Mirrors
- HD Radio
- Power and Heated Front Seats w/ Memory
- Power Tilt & Telescoping Steering Column
- Power Windows with Express Up and Down
- 64-Color Ambient Lighting & AMG Illuminated Door Sills
- AMG Performance Steering Wheel
- Garage Door Opener
- Sliding Sunroof
- Auto-Dimming Driver & Rearview Mirror
- Split-Folding Rear Seats (40/20/40)
- 115V AC Power Outlet

### *Safety & Security*

- New Vehicle 4 Year/50,000 Mile Warranty
- 3-point Seat Belt with Pretensioners & Dual-Stage Belt Force Limiter
- Front and Rear Side Window Airbags
- Driver Kneebag
- PARKTRONIC w/ Active Parking Assist
- ATTENTION ASSIST Driver Drowsiness Monitor
- PRE-SAFE
- Tire Pressure Monitoring System
- Blind Spot Assist
- 24h Roadside Assistance Program
- Front Dual-Stage Airbags
- Front Side Airbags
- Surround View Camera
- ISOFIX Anchor and Tether System
- Active Brake Assist
- Smart Key with Panic Button
- Anti-theft Alarm System

*Performance & Handling*

- Handcrafted AMG 4.0L V8 Biturbo (469 hp, 479 lb-ft torque)
- AMG SPEEDSHIFT® MCT 9-Speed Transmission
- Electronic rear-axle limited-slip differential
- AMG DYNAMIC SELECT
- AMG Performance Exhaust System
- AMG Sport Suspension based on AIR BODY CONTROL
- AMG High Performance Braking System
- AMG Performance 4MATIC+ (fully variable torque distribution)
- 3-Stage ESP

*Comfort & Convenience*

- KEYLESS START & KEYLESS GO
- Bluetooth® Technology (for Handsfree Phone Use/Audio Streaming)
- SiriusXM Satellite Radio
- 4-way Lumbar Support
- Electronic Cruise Control
- Automatic Headlamps with Twilight Sensor & Locator Lighting
- 10.25" Center Media Display with touchpad
- Dual-Zone Automatic Climate Control
- Intermittent Wipers with Rain Sensor
- LED Headlamps and taillights
- Front and Rear Cupholders
- Power Liftgate
- Smartphone Integration (Apple CarPlay and Android Auto)
- 12.3" Digital Instrument Cluster
- Power Folding Mirrors
- HD Radio
- Power and Heated Front Seats w/ Memory
- Power Tilt & Telescoping Steering Column
- Power Windows with Express Up and Down
- 64-Color Ambient Lighting & AMG Illuminated Door Sills
- AMG Performance Steering Wheel
- Garage Door Opener
- Sliding Sunroof
- Auto-Dimming Driver & Rearview Mirror
- Split-Folding Rear Seats (40/20/40)
- 115V AC Power Outlet
- Burmester® Surround Sound System
- Multimedia Package including Navigation, Live Traffic, and Augmented Reality

*Safety & Security*

- New Vehicle 4 Year/50,000 Mile Warranty
- 3-point Seat Belt with Pretensioners & Dual-Stage Belt Force Limiter
- Front and Rear Side Window Airbags
- Driver Kneebag
- PARKTRONIC w/ Active Parking Assist
- ATTENTION ASSIST Driver Drowsiness Monitor
- PRE-SAFE
- Tire Pressure Monitoring System
- Blind Spot Assist
- 24h Roadside Assistance Program
- Front Dual-Stage Airbags
- Front Side Airbags
- Surround View Camera
- ISOFIX Anchor and Tether System
- Active Brake Assist
- Smart Key with Panic Button
- Anti-theft Alarm System

*Performance & Handling*

- Handcrafted AMG 4.0L V8 Biturbo (503 hp, 516 lb-ft torque)
- AMG SPEEDSHIFT® MCT 9-Speed Transmission
- Electronic rear-axle limited-slip differential
- AMG DYNAMIC SELECT (including RACE mode)
- AMG Performance Exhaust System
- AMG Sport Suspension based on AIR BODY CONTROL
- AMG High Performance Braking System
- AMG Performance 4MATIC+ (fully variable torque distribution)
- 3-Stage ESP
- AMG Dynamic Engine Mounts

*Comfort & Convenience*

- KEYLESS START & KEYLESS GO
- Bluetooth® Technology (for Handsfree Phone Use/Audio Streaming)
- SiriusXM Satellite Radio
- 4-way Lumbar Support
- Electronic Cruise Control
- Automatic Headlamps with Twilight Sensor & Locator Lighting
- 10.25" Center Media Display with touchpad
- Dual-Zone Automatic Climate Control
- Intermittent Wipers with Rain Sensor
- LED Headlamps and taillights
- Front and Rear Cupholders
- Power Liftgate
- Smartphone Integration (Apple CarPlay and Android Auto)
- 12.3" Digital Instrument Cluster
- AMG Track Pace
- Power Folding Mirrors
- HD Radio
- Power and Heated Front Seats w/ Memory
- Power Tilt & Telescoping Steering Column
- Power Windows with Express Up and Down
- 64-Color Ambient Lighting & AMG Illuminated Door Sills
- AMG Performance Steering Wheel
- Garage Door Opener
- Sliding Sunroof
- Auto-Dimming Driver & Rearview Mirror
- Split-Folding Rear Seats (40/20/40)
- 115V AC Power Outlet
- Burmester® Surround Sound System
- Multimedia Package including Navigation, Live Traffic, and Augmented Reality
- AMG DRIVE UNIT

*Safety & Security*

- New Vehicle 4 Year/50,000 Mile Warranty
- 3-point Seat Belt with Pretensioners & Dual-Stage Belt Force Limiter
- Front and Rear Side Window Airbags
- Driver Kneebag
- PARKTRONIC w/ Active Parking Assist
- ATTENTION ASSIST Driver Drowsiness Monitor
- PRE-SAFE
- Tire Pressure Monitoring System
- Blind Spot Assist
- 24h Roadside Assistance Program
- Front Dual-Stage Airbags
- Front Side Airbags
- Surround View Camera
- ISOFIX Anchor and Tether System
- Active Brake Assist
- Smart Key with Panic Button
- Anti-theft Alarm System

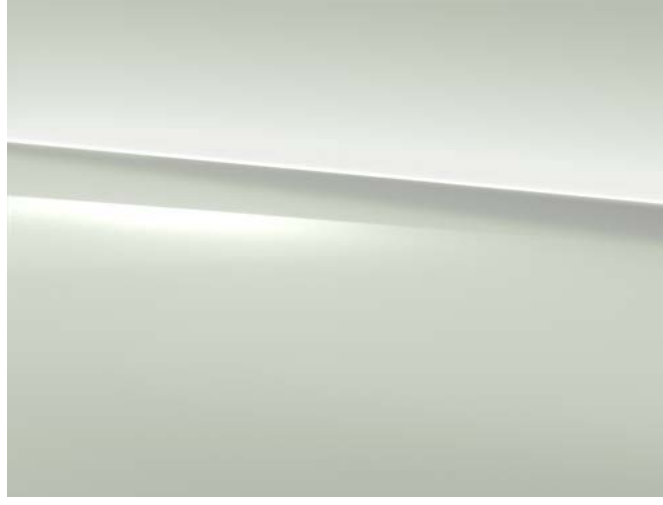


# Paint

## Non-Metallic Paints

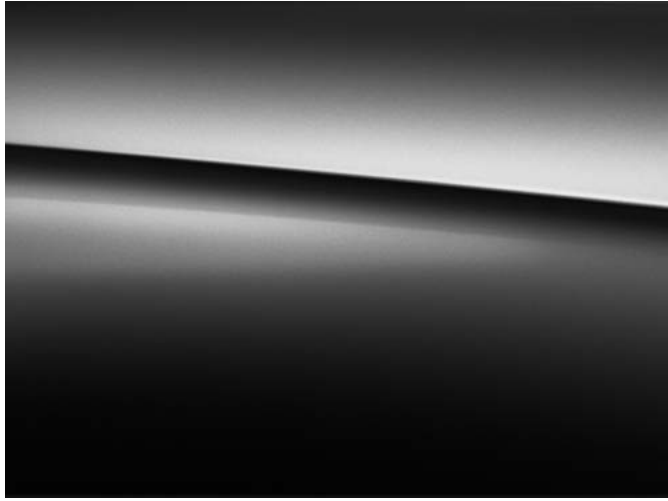


**040 - Black**

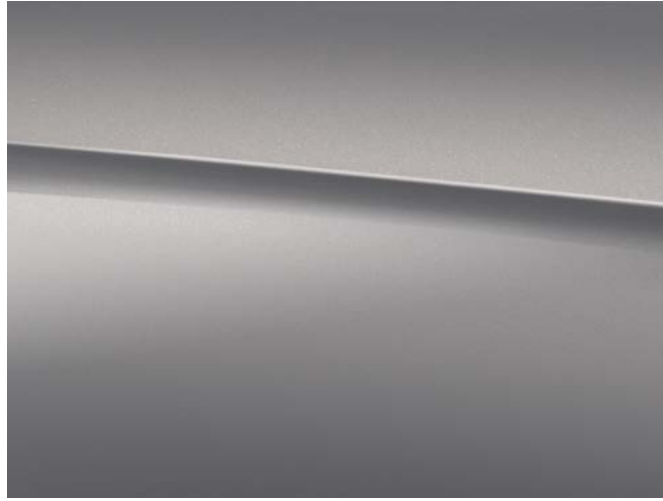


**149 - Polar White**

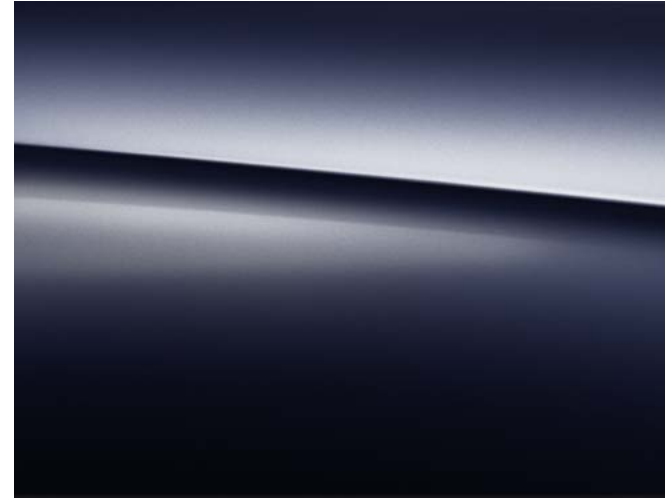
## Metallic Paints



**197 - Obsidian Black**



**859 - Mojave Silver**



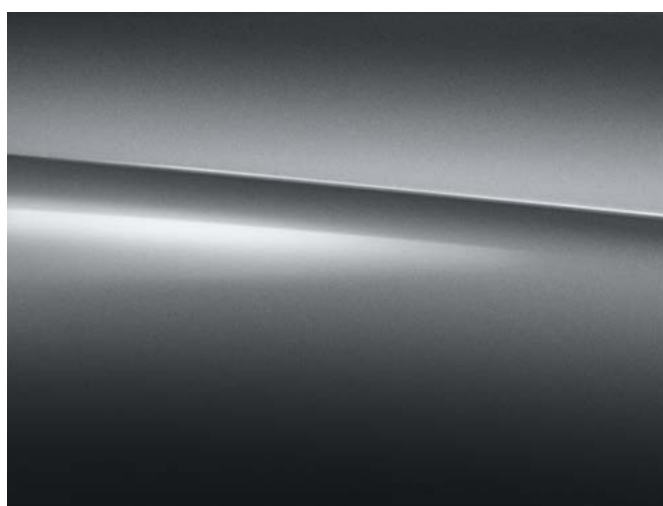
**890 - Lunar Blue**



**896 - Brilliant Blue**



**922 - Cirrus Silver Metallic**



**992 - Selenite Grey**

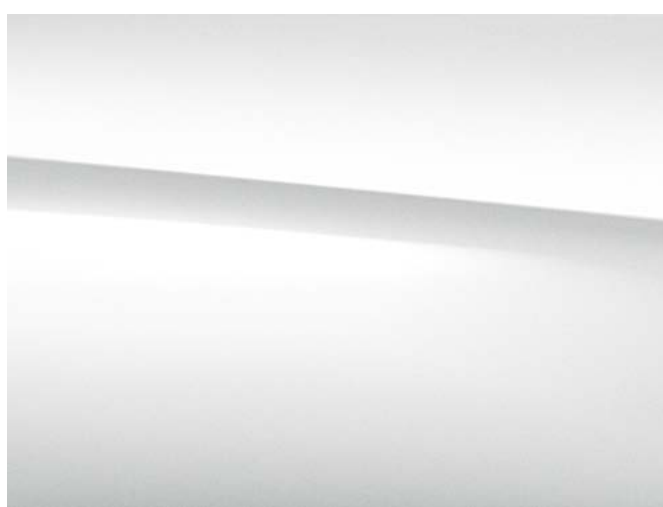


**831 - Graphite Grey**

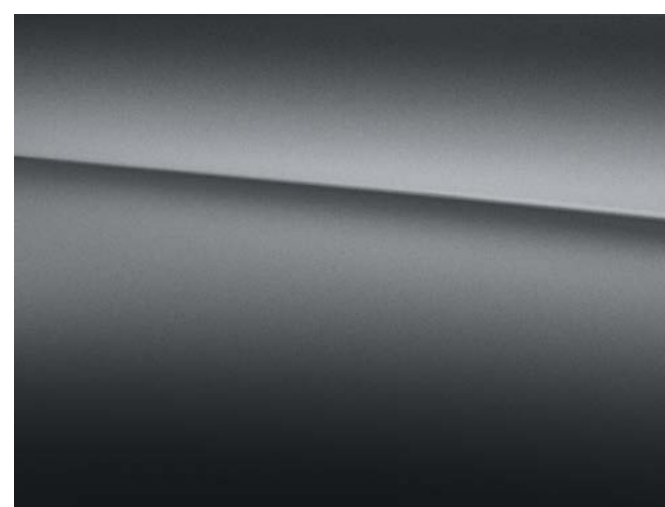
## designo Paints



**996 - Cardinal Red Metallic**



**799 - Diamond White Metallic**



**297 - Selenite Grey Magno**

<i>Code</i>	<i>Description</i>	<i>Availability</i>	<i>Price</i>
040	Black	All Models	\$0
149	Polar White	All Models	\$0
197	Obsidian Black	All Models	\$720
859	Mojave Silver	All Models	\$720
890	Lunar Blue	All Models	\$720
896	Brilliant Blue	All Models	\$720
922 (New)	Cirrus Silver Metallic	All Models	\$720
992	Selenite Grey	All Models	\$720
831	Graphite Grey	All Models	\$720
996	Cardinal Red Metallic	All Models	\$1,080
799	Diamond White Metallic	All Models	\$1,515
297	Selenite Grey Magno	All Models	\$2,020

# Wheels



**RZX - 20" AMG Y 5-spoke Wheel**

Standard on GLC43  
20"

R02 (All-Season Tires), R66 (MOE Tires - Extended Mobility)  
255/45 R20 on 8.5 J x 20 ET40 (Front) 285/40 R20 on 9.5 J x 20 ET22 (Rear)

**RZY - 20" AMG Y 5-Spoke Wheel w/ Black Accents**

20"

R02 (All-Season Tires), R66 (MOE Tires - Extended Mobility)  
255/45 R20 on 8.5 J x 20 ET40 (Front) 285/40 R20 on 9.5 J x 20 ET22 (Rear)

**RWM - 21" AMG Split 10-Spoke Wheel**

21"

R01 (High-Performance Tires), B51 (Tirefit Mobility Kit)  
255/40 R21 on 8.5 J x 21 ET40 (Front) 285/35 R21 on 9.5 J x 21 ET22 (Rear)

**RWN - 21" AMG Split 10-Spoke Wheel w/ Black Accents**

21"

R01 (High-Performance Tires), B51 (Tirefit Mobility Kit)  
255/40 R21 on 8.5 J x 21 ET40 (Front) 285/35 R21 on 9.5 J x 21 ET22 (Rear)



**RZS - 20" AMG Twin 5-spoke Wheel**

Standard on GLC63/63 S  
20"

R01 (High-Performance Tires), B51 (Tirefit Mobility Kit)  
265/45 R20 on 9.5 J x20 ET30 (Front) 295/40 R20 on 10 J x20 ET28 (Rear)

**RZT - 20" AMG Twin 5-spoke Wheel w/ Black Accents**

20"

R01 (High-Performance Tires), B51 (Tirefit Mobility Kit)  
265/45 R20 on 9.5 J x20 ET30 (Front) 295/40 R20 on 10 J x20 ET28 (Rear)

**RWK - 21" AMG Multispoke Wheel**

21"

R01 (High-Performance Tires), B51 (Tirefit Mobility Kit)  
265/40 R21 on 9.5 J x 21 ET30 (Front) 295/35 R21 on 10 J x 21 ET28 (Rear)

**RWL - 21" AMG Multispoke Wheel, Black**

21"

R01 (High-Performance Tires), B51 (Tirefit Mobility Kit)  
265/40 R21 on 9.5 J x 21 ET30 (Front) 295/35 R21 on 10 J x 21 ET28 (Rear)



**RWD - 21" AMG Forged Cross-spoke Wheel**

21"

R01 (High-Performance Tires), B51 (Tirefit Mobility Kit)  
265/40 R21 on 9.5 J x 21 ET30 (Front) 295/35 R21 on 10 J x 21 ET28 (Rear)

**RWE - 21" AMG Forged Cross-spoke Wheel, Black**

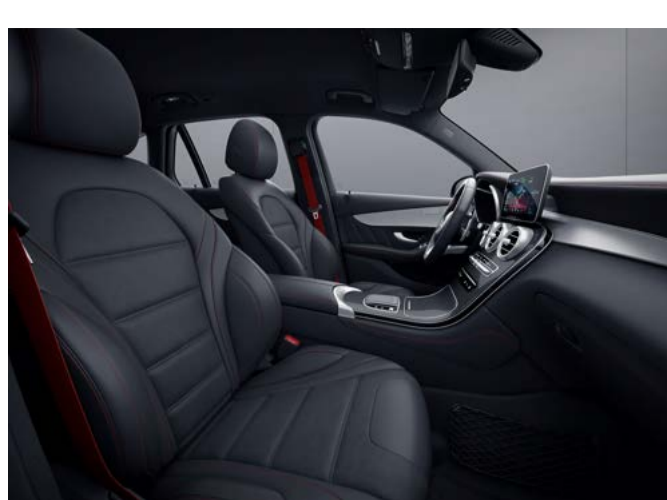
21"

R01 (High-Performance Tires), B51 (Tirefit Mobility Kit)  
265/40 R21 on 9.5 J x 21 ET30 (Front) 295/35 R21 on 10 J x 21 ET28 (Rear)

Code	Wheel Size	Description	Wheel Dimensions	Mobility	Availability	MSRP
RZX	20"	Standard on GLC43	255/45 R20 on 8.5 J x 20 ET40 (Front) 285/40 R20 on 9.5 J x 20 ET22 (Rear)	R02 (All-Season Tires), R66 (MOE Tires - Extended Mobility)	GLC43	\$0
RZY	20"		255/45 R20 on 8.5 J x 20 ET40 (Front) 285/40 R20 on 9.5 J x 20 ET22 (Rear)	R02 (All-Season Tires), R66 (MOE Tires - Extended Mobility)	GLC43	\$200
RWM	21"		255/40 R21 on 8.5 J x 21 ET40 (Front) 285/35 R21 on 9.5 J x 21 ET22 (Rear)	R01 (High-Performance Tires), B51 (Tirefit Mobility Kit)	GLC43	\$1,000
RWN	21"		255/40 R21 on 8.5 J x 21 ET40 (Front) 285/35 R21 on 9.5 J x 21 ET22 (Rear)	R01 (High-Performance Tires), B51 (Tirefit Mobility Kit)	GLC43	\$1,500
RZS	20"	Standard on GLC63/63 S	265/45 R20 on 9.5 J x20 ET30 (Front) 295/40 R20 on 10 J x20 ET28 (Rear)	R01 (High-Performance Tires), B51 (Tirefit Mobility Kit)	GLC63, GLC63 S	\$0
RZT	20"		265/45 R20 on 9.5 J x20 ET30 (Front) 295/40 R20 on 10 J x20 ET28 (Rear)	R01 (High-Performance Tires), B51 (Tirefit Mobility Kit)	GLC63, GLC63 S	\$200
RWK	21"		265/40 R21 on 9.5 J x 21 ET30 (Front) 295/35 R21 on 10 J x 21 ET28 (Rear)	R01 (High-Performance Tires), B51 (Tirefit Mobility Kit)	GLC63, GLC63 S	\$1,000
RWL	21"		265/40 R21 on 9.5 J x 21 ET30 (Front) 295/35 R21 on 10 J x 21 ET28 (Rear)	R01 (High-Performance Tires), B51 (Tirefit Mobility Kit)	GLC63, GLC63 S	\$1,500
RWD	21"		265/40 R21 on 9.5 J x 21 ET30 (Front) 295/35 R21 on 10 J x 21 ET28 (Rear)	R01 (High-Performance Tires), B51 (Tirefit Mobility Kit)	GLC63 S	\$2,250
RWE	21"		265/40 R21 on 9.5 J x 21 ET30 (Front) 295/35 R21 on 10 J x 21 ET28 (Rear)	R01 (High-Performance Tires), B51 (Tirefit Mobility Kit)	GLC63 S	\$2,750

# Upholstery

## MB Tex



**641 - Black MB-Tex w/ DINAMICA and Red Stitching**



**611 - Black MB-Tex w/ DINAMICA**  
Also available with AMG Performance Seats (DE4)

## Leather



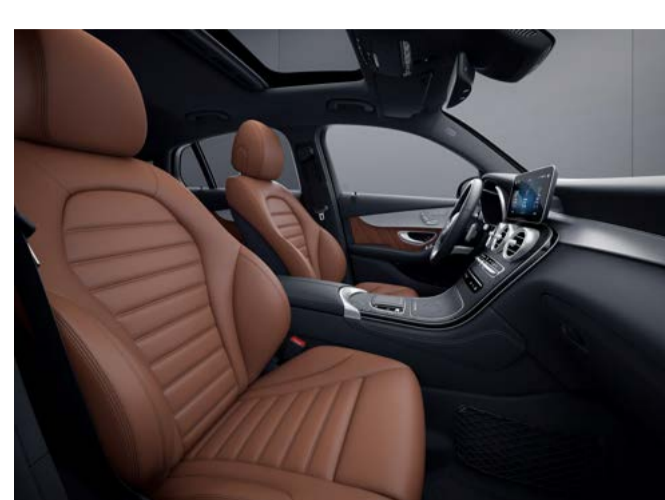
**241 - Black Leather w/ Red Stitching**  
Seats in picture are not available. Refer to 261 for seat design.



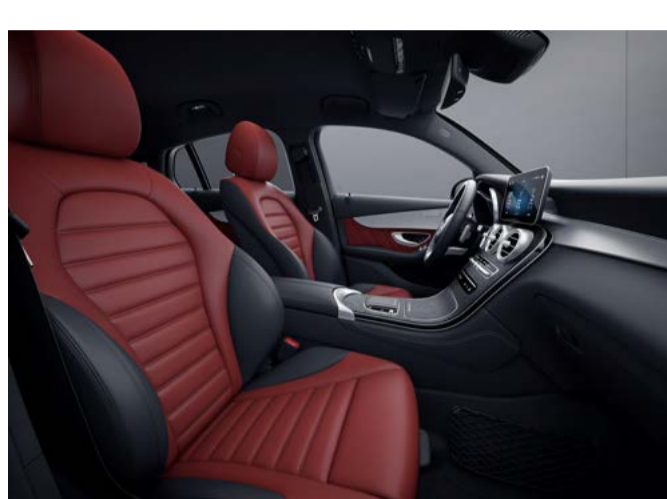
**261 - Black**



**228 - Magma Grey**



**264 - Saddle Brown**



**297 - Cranberry Red**

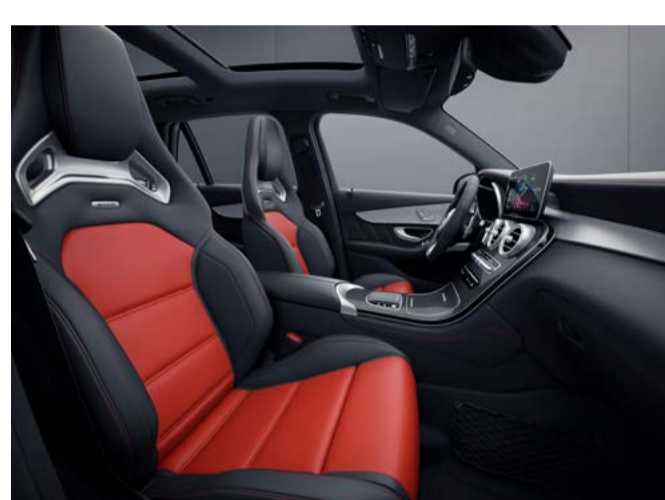
## Nappa Leather



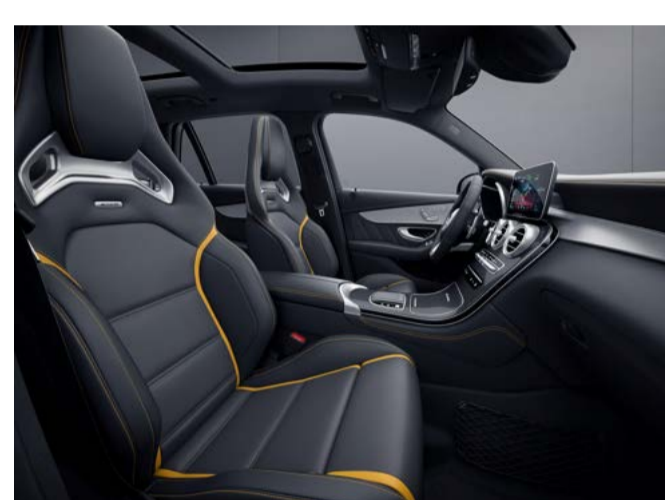
**801 - Black Nappa**  
Also available with AMG Performance Seats (DE5)



**851 - Platinum White Pearl/Black Nappa**  
Also available with AMG Performance Seats (DE5) as shown



**857 - Red Pepper/Black Nappa**  
Also available with AMG Performance Seats (DE5) as shown



**858 - Magma Grey/Black Nappa w/ Yellow Accents**  
Also available with AMG Performance Seats (DE5) as shown



**811 - Black w/ Grey Accents**  
Also available with AMG Performance Seats (DE5) as shown

## Exclusive Nappa Leather



**DD1+975 - Platinum White Pearl/Black**



**DD1+965 - Platinum White Pearl/Black**  
Also available with AMG Performance Seats (DE5) as shown

Code	Description	Availability	Price
641	Black MB-Tex w/ DINAMICA and Red Stitching	GLC43	\$0
611	Black MB-Tex w/ DINAMICA Also available with AMG Performance Seats (DE4)	GLC63	\$0
241	Black Leather w/ Red Stitching Seats in picture are not available. Refer to 261 for seat design.	GLC43	\$1,620
261	Black	GLC43	\$1,620
228	Magma Grey	GLC43	\$1,620
264	Saddle Brown	GLC43	\$1,620
297	Cranberry Red	GLC43	\$1,620
801	Black Nappa Also available with AMG Performance Seats (DE5)	GLC63, GLC63 S	\$2,590 (GLC63) \$0 (GLC63 S)
851	Platinum White Pearl/Black Nappa Also available with AMG Performance Seats (DE5) as shown	GLC63, GLC63 S	\$2,590 (GLC63) \$0 (GLC63 S)
857	Red Pepper/Black Nappa Also available with AMG Performance Seats (DE5) as shown	GLC63, GLC63 S	\$2,590 (GLC63) \$0 (GLC63 S)
858	Magma Grey/Black Nappa w/ Yellow Accents Also available with AMG Performance Seats (DE5) as shown	GLC63, GLC63 S	\$2,590 (GLC63) \$0 (GLC63 S)
811	Black w/ Grey Accents Also available with AMG Performance Seats (DE5) as shown	GLC63 S	\$0
DD1+975	Platinum White Pearl/Black	GLC43	\$3,100
DD1+965	Platinum White Pearl/Black Also available with AMG Performance Seats (DE5) as shown	GLC63, GLC63 S	\$3,100 (GLC63) \$500 (GLC63 S)

Code	Upholstery	Seats	Floor Mats	Upper Dash/Lower Dash	Seat Belts	Steering Wheel	Headliner
641	Black MB-Tex w/ DINAMICA and Red Stitching	Black	Black	Black/Black	Red	Black	Black
611	Black MB-Tex w/ DINAMICA Also available with AMG Performance Seats (DE4)	Black	Black	Black/Black	Black	Black	Black
241	Black Leather w/ Red Stitching Seats in picture are not available. Refer to 261 for seat design.	Black	Black	Black/Black	Red	Black	Black
261	Black	Black	Black	Black/Black	Black	Black	Black
228	Magma Grey	Magma Grey	Black	Black/Black	Black	Black	Black
264	Saddle Brown	Saddle Brown	Black	Black/Black	Black	Black	Black
297	Cranberry Red	Cranberry Red/ Black	Black	Black/Black	Black	Black	Black
801	Black Nappa Also available with AMG Performance Seats (DE5)	Black	Black	Black	Black	Black	Black
851	Platinum White Pearl/Black Nappa Also available with AMG Performance Seats (DE5) as shown	Platinum White Pearl/Black	Black	Black	Black	Black	Black
857	Red Pepper/Black Nappa Also available with AMG Performance Seats (DE5) as shown	Red Pepper/Black	Black	Black	Black	Black	Black
858	Magma Grey/Black Nappa w/ Yellow Accents Also available with AMG Performance Seats (DE5) as shown	Magma Grey/Black	Black	Black	Black	Black	Black
811	Black w/ Grey Accents Also available with AMG Performance Seats (DE5) as shown	Black w/ Grey Accents	Black	Black	Silver	Black	Black
DD1+975	Platinum White Pearl/Black	Platinum White Pearl/Black	Black	Black	Black	Black	Black
DD1+965	Platinum White Pearl/Black Also available with AMG Performance Seats (DE5) as shown	Platinum White Pearl/Black	Black	Black	Black	Black	Black

# Trims



**H07 - Dark Brown Linden Wood**



**H31 - Natural Grain Grey Oak**



**737 + 739 - Natural Grain Black Ash Wood & Aluminum Trim**



**H33 - Natural Grain Walnut Wood**



**H73 - AMG Carbon Fiber**

Door trim in aluminum

<i>Code</i>	<i>Description</i>	<i>Availability</i>	<i>Price</i>
H07	Dark Brown Linden Wood	All Models	\$0
H31	Natural Grain Grey Oak	All Models	\$0
737 + 739	Natural Grain Black Ash Wood & Aluminum Trim	All Models	\$0
H33	Natural Grain Walnut Wood	All Models	\$0
H73	AMG Carbon Fiber Door trim in aluminum	All Models	\$975

# Packages

<i>Code</i>	<i>Packages</i>	<i>Availability</i>	<i>MSRP</i>
DA2	<p>Driver Assistance Package</p> <p>GLC43: Requires DA5 Multimedia Package</p> <ul style="list-style-type: none"> <li>▪ PRE-SAFE® PLUS</li> <li>▪ BAS PLUS with Cross-Traffic Assist</li> <li>▪ Active Speed Limit Assist</li> <li>▪ Route-Based Speed Adaptation</li> <li>▪ DISTRONIC PLUS with Steering Assist and Stop &amp; Go Pilot</li> <li>▪ Active Blind Spot Assist</li> <li>▪ PRE-SAFE® Brake with Pedestrian Recognition</li> <li>▪ Active Emergency Stop Assist</li> <li>▪ Active Lane Keeping Assist</li> <li>▪ Active Lane Change Assist</li> </ul>	All Models	\$1,700
DA4	<p>Exterior Lighting Package</p> <ul style="list-style-type: none"> <li>▪ LED Intelligent Light System</li> <li>▪ Adaptive Highbeam Assist</li> </ul>	All Models	\$800
DA5	<p>Multimedia Package</p> <p>Standard on GLC63/63 S</p> <ul style="list-style-type: none"> <li>▪ MB Hard-Disc Navigation with Live Traffic</li> <li>▪ MBUX Premium Multimedia System</li> <li>▪ Augmented Video for Navigation</li> <li>▪ Navigation Services</li> </ul>	GLC43	\$1,300
DC1	<p>AMG Night Package</p> <p>Not with DC2 AMG Performance Studio Package (already included)</p> <ul style="list-style-type: none"> <li>▪ GLC63/63 S: Gloss black elements include A-Wing and front splitter trim, side sill inserts, rear diffuser trim, exterior mirror housings, and window trim; exhaust tailpipes in black chrome</li> <li>▪ GLC43: Gloss black elements include front splitter trim, rear diffuser trim, window trim, and exterior mirror housings; exhaust tailpipes in black chrome</li> </ul>	All Models	\$750
DC2	<p>AMG Performance Studio Package</p> <p>Not with 550 Class II Trailer Hitch; Not with DC1 AMG Night Package (already included)</p> <ul style="list-style-type: none"> <li>▪ AMG Night Package contents</li> <li>▪ AMG Optics Package including high-gloss black for the following: front splitter in the front apron, diffuser board on rear apron, and rear spoiler lip</li> </ul>	GLC43	\$1,950
DD1	<p>designo Platinum White Pearl/Black Nappa Leather Package</p> <p>If Natural Grain Black Ash Wood trim desired, you will only need to select 739 as 737 will come over automatically</p> <ul style="list-style-type: none"> <li>▪ designo Platinum White Pearl / Black Two-Tone Nappa Leather seats in diamond quilt design with white contrast stitching (interior code 975 on GLC43, interior code 965 on GLC63/63 S)</li> <li>▪ Center door panels and armrests in Platinum White Pearl</li> </ul>	All Models	\$3,100 (GLC43, GLC63) \$500 (GLC63 S)
DE4	<p>AMG Performance Seat Package</p> <p>Required for MB-Tex upholsteries (611). N/A on GLC43.</p> <ul style="list-style-type: none"> <li>▪ AMG Performance Seats</li> </ul>	GLC63	\$2,500
DE5	<p>AMG Performance Seat Package Advanced</p> <p>Required for leather and designo upholsteries. N/A on GLC43.</p> <ul style="list-style-type: none"> <li>▪ AMG Performance Seats</li> </ul>	GLC63, GLC63 S	\$2,500
DC4	<p>AMG Exterior Carbon Fiber Package</p> <p>Only available on GLC63 S</p> <ul style="list-style-type: none"> <li>▪ AMG Carbon Fiber Exterior Mirror Covers</li> </ul>	GLC63 S	\$1,200

# Options

## Factory Options

<i>Code</i>	<i>Options</i>	<i>Availability</i>	<i>MSRP</i>
L6J	AMG Performance Steering Wheel in Nappa	All Models	\$0
L6K	AMG Performance Steering Wheel in Nappa/DINAMICA	All Models	\$500 (GLC43, GLC63) \$0 (GLC63 S)
U17	Omission of Color Seat Belts Can be selected with 641 or 241 (GLC43) to change from red seat belts, or 811 or 851 (GLC63 S) to change from silver seat belts. All other upholsteries already come with black seat belts.	GLC43, GLC63 S	\$0
U78	AMG Performance Exhaust System	GLC43	\$1,250
U88	AMG DRIVE UNIT Required with L6G steering wheel. Not available with 443. Standard on GLC63 S.	GLC43, GLC63	\$400
21U (New)	Dashcam On GLC43, requires DA5 Multimedia Package	All Models	\$200
256	AMG Track Pace Requires DA5 Multimedia Package on GLC43	GLC43, GLC63	\$250
293	Rear Side Air Bags	All Models	\$700
401	Ventilated Front Seats GLC43: not with 297 or 641 upholsteries. GLC63: not with 611.	All Models	\$450
443	Heated Steering Wheel Not available with U88	GLC43	\$250
463	Head-Up Display with AMG-specific Content	All Models	\$1,100
464	12.3" Digital Instrument Cluster Standard on GLC63/63 S	GLC43	\$750
550	Class II Trailer Hitch On GLC43, not with DC2 AMG Performance Studio Package	All Models	\$575
581	3-Zone Automatic Climate Control	All Models	\$760
690	Emergency Spare Tire Removes lockable compartment on trunk floor	GLC43	\$200
77B (New)	MBUX Interior Assistant	All Models	\$300
810	Burmester Surround Sound System	GLC43	\$850
846	Brushed Aluminum Running Boards	All Models	\$650
851	Heat & Noise-Insulating Front-Side Dual-Pane Glass	GLC43	\$150
871	HANDS-FREE ACCESS	All Models	\$100
872	Heated Rear Seats	All Models	\$580
897	Inductive Wireless Charging & NFC Pairing	All Models	\$200
B26	AMG Aerodynamics Package Includes additional large front spoiler and larger rear diffuser w/ diffuser attachment. Only on GLC63/63 S; not with 550 trailer hitch	GLC63, GLC63 S	\$1,400
L6G	AMG Performance Steering Wheel in DINAMICA Requires U88	GLC63, GLC63 S	\$600 (GLC63) \$100 (GLC63 S)
L6H	AMG Performance Steering Wheel in DINAMICA/Carbon Fiber	GLC63, GLC63 S	\$900 (GLC63) \$400 (GLC63 S)
U97	Spoiler Lip in High-Gloss Black Only in conjunction with DC1 AMG Night Package	GLC63, GLC63 S	\$350
B07	AMG Carbon Ceramic Braking System	GLC63 S	\$5,450

## VPC Installed Options

<i>Code</i>	<i>Options</i>	<i>Availability</i>	<i>MSRP</i>
D03	Illuminated Star Not with Driver's Assistance Package (DA2)	All Models	\$500
D07	Wheel Locking Bolts	All Models	\$150
D08	Chrome Door Handle Inserts	All Models	\$100
D17	Carbon Fiber Look Exterior Mirror Covers Not available with Night Package (DC1) or AMG Exterior Carbon Fiber Package (DC4)	All Models	\$250
D25	USB-C Adapter Cable		\$25
D32	LED AMG Crest Projectors	All Models	\$275
D33	All Weather Front Floor Mats	All Models	\$120

# Specifications

GLC43



## Chassis

### Drivetrain

Transmission	AMG SPEEDSHIFT® TCT 9-Speed
Transmission Speeds	9
Drive Configuration	4MATIC All-Wheel Drive

### Engine

Engine Configuration	AMG-enhanced 3.0L V6 biturbo engine
Power (hp)	385 @ 6,100 rpm
Torque (lb-ft)	384 @ 2,500-5,000 rpm
Fuel Requirement (Octane)	91
Compression	10.5 : 1
Fuel Tank Size (gallons)	17.4
# Valves per Cylinder	4
Displacement (cc)	2,996

### Performance

Acceleration 0-60 mph (sec)	4.7
Top Speed (mph)	130 (lim.), 155 w/ R01 tires

### Fuel Economy

Fuel Economy (Cty/Hwy/Comb)	18/24/21
-----------------------------	----------

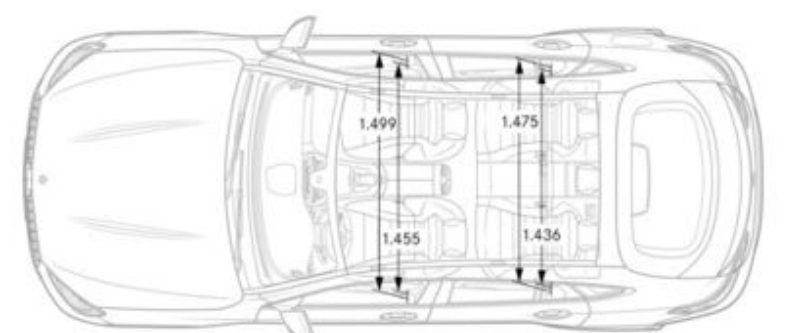
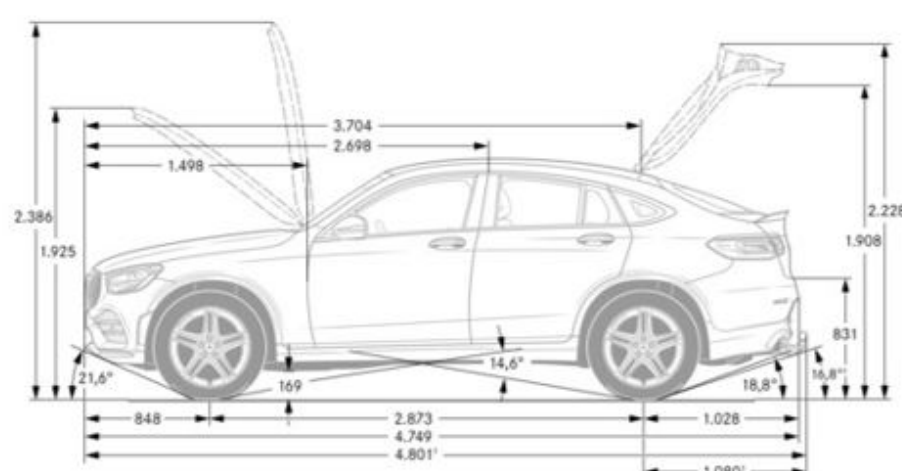
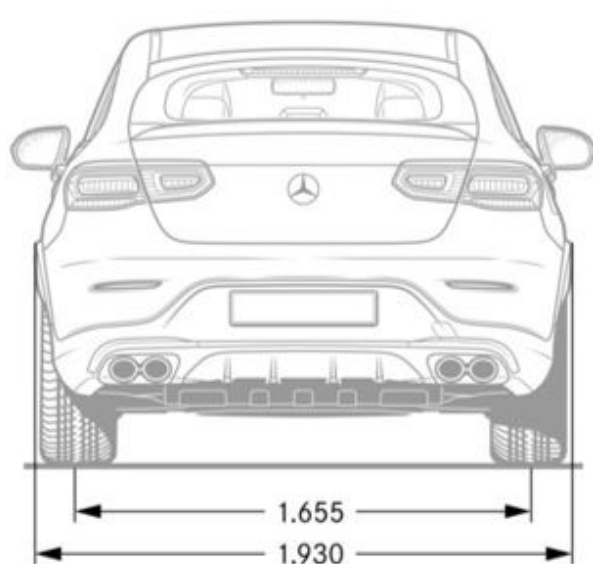
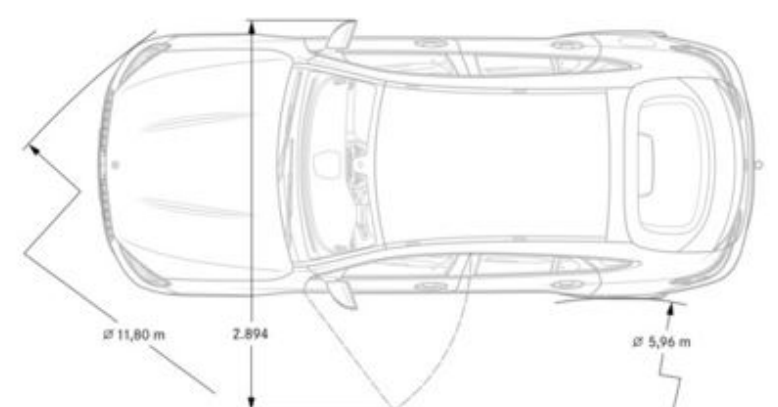
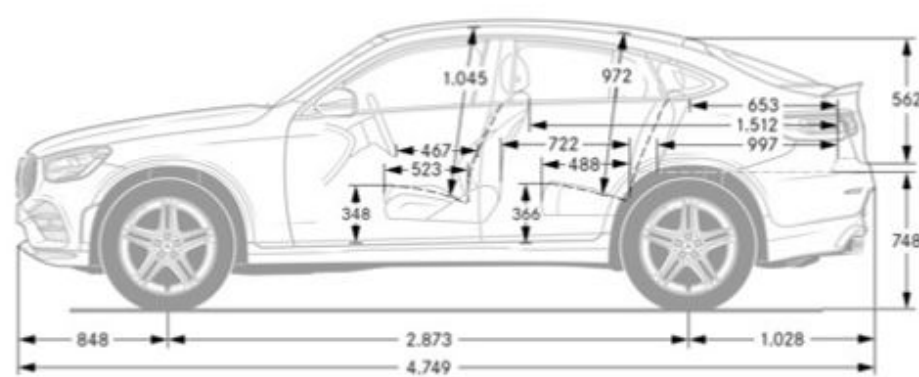
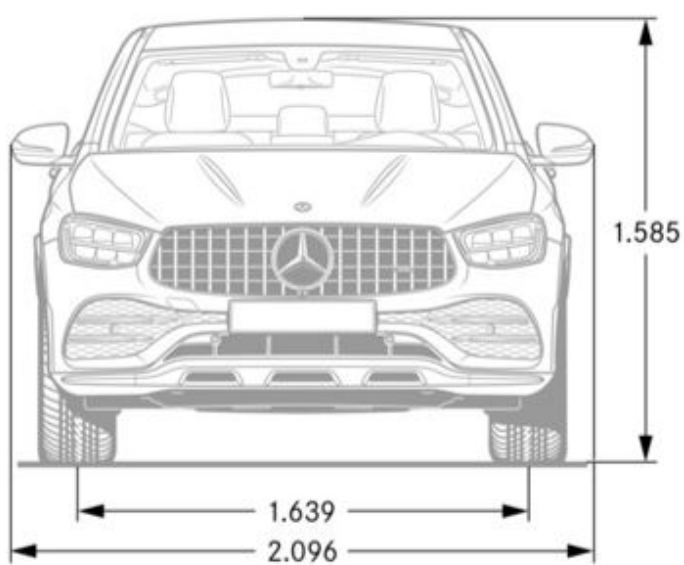
### Exterior Dimensions

Vehicle Length (in.)	187
Vehicle Width w/ Mirrors (in.)	82.5
Vehicle Height (in.)	62.4
Wheelbase (in.)	113.1
Track Width Front/Rear (in.)	64.5/65.2
Curb Weight (lbs)	4,235

### Wheels and Tires

### Interior Dimensions

Luggage Capacity Behind Front Seats (cubic feet)	36.1
--	------



*Chassis*

*Drivetrain*

<b>Transmission</b>	AMG SPEEDSHIFT® MCT 9-Speed
<b>Transmission Speeds</b>	9
<b>Drive Configuration</b>	4MATIC+ Variable All-Wheel Drive

*Engine*

<b>Engine Configuration</b>	Handcrafted AMG 4.0L V8 biturbo engine
<b>Power (hp)</b>	469 @ 5,500-6,250 rpm
<b>Torque (lb-ft)</b>	479 @ 1,750-4,500 rpm
<b>Fuel Requirement (Octane)</b>	91
<b>Compression</b>	10.5 : 1
<b>Fuel Tank Size (gallons)</b>	17.4
<b># Valves per Cylinder</b>	4
<b>Displacement (cc)</b>	3,982

*Performance*

<b>Acceleration 0-60 mph (sec)</b>	3.8
<b>Top Speed (mph)</b>	155 (lim.)

*Fuel Economy*

<b>Fuel Economy (Cty/Hwy/Comb)</b>	16/22/18
------------------------------------	----------

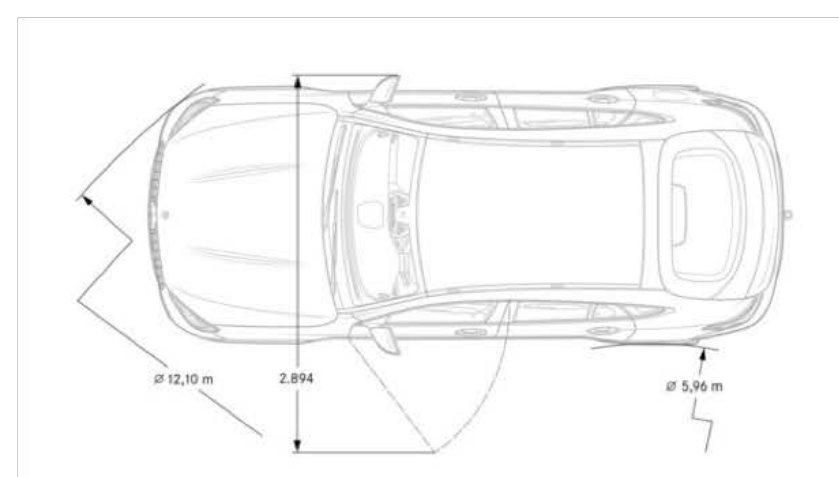
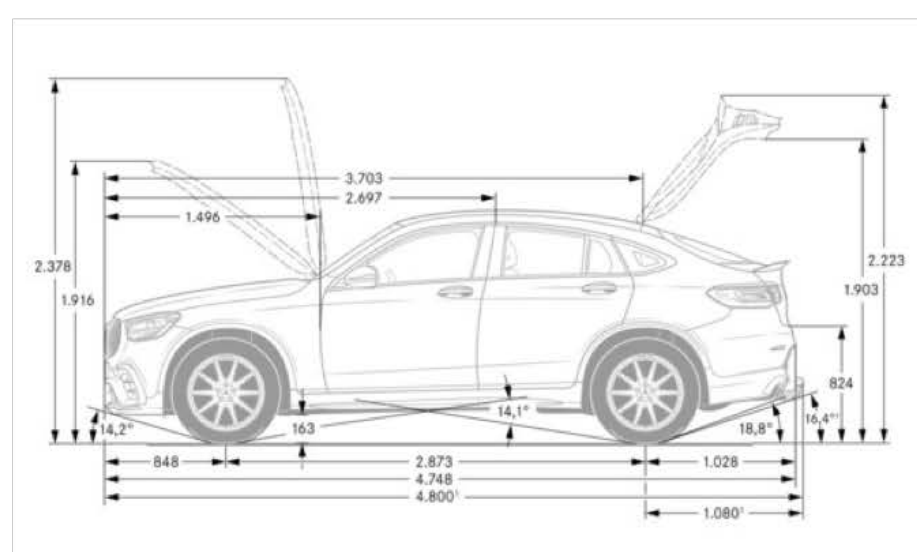
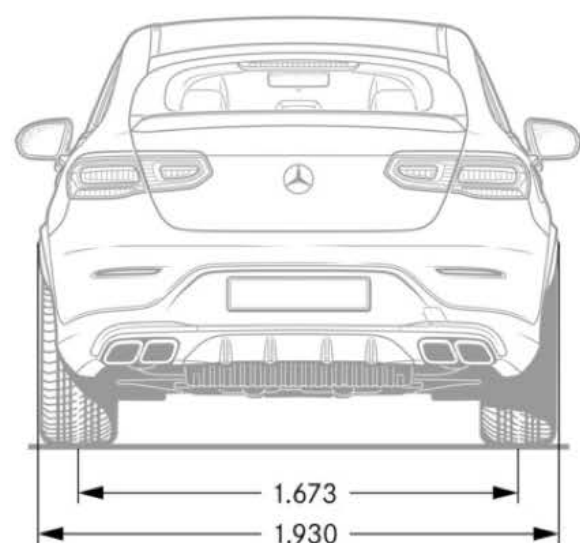
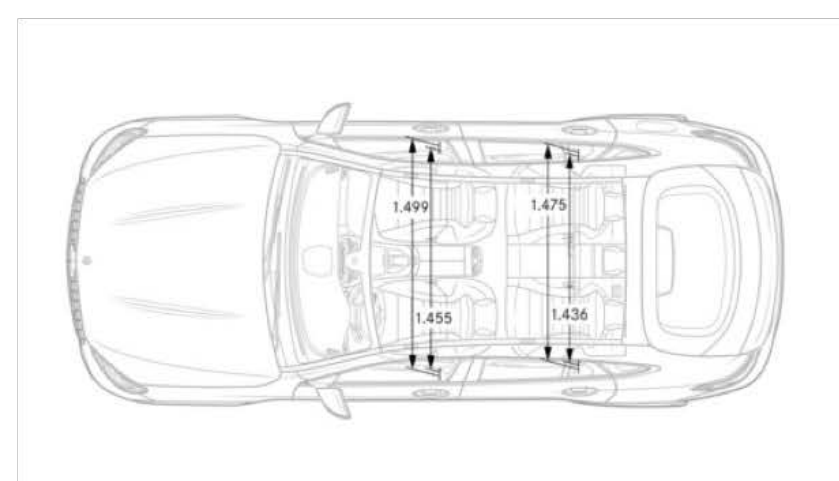
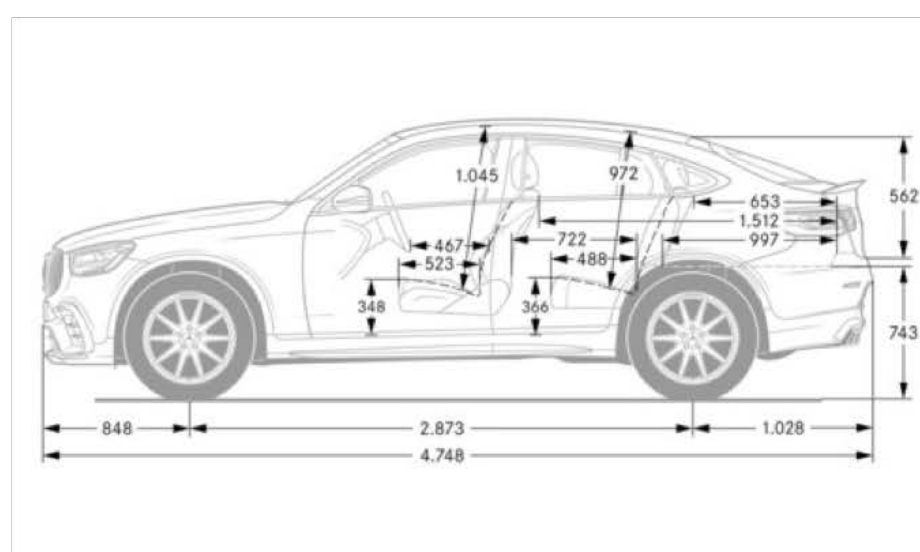
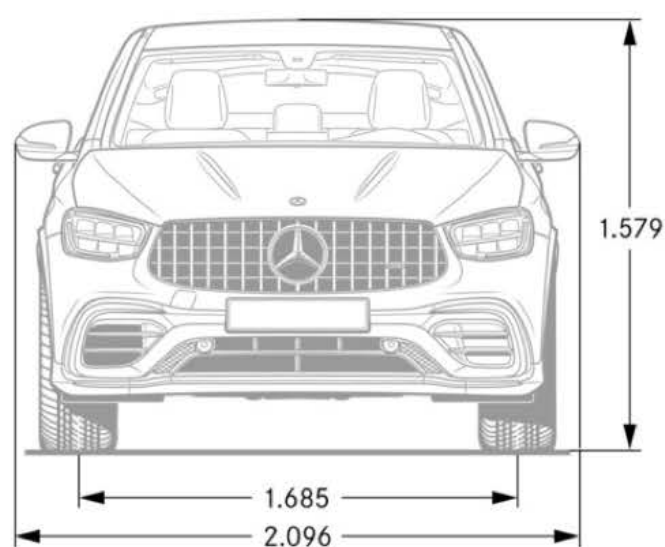
*Exterior Dimensions*

<b>Vehicle Length (in.)</b>	186.9
<b>Vehicle Width w/ Mirrors (in.)</b>	82.5
<b>Vehicle Height (in.)</b>	62.4
<b>Wheelbase (in.)</b>	113.1
<b>Track Width Front/Rear (in.)</b>	65.5/65.1
<b>Curb Weight (lbs)</b>	4,579

*Wheels and Tires*

*Interior Dimensions*

<b>Luggage Capacity Behind Front Seats (cubic feet)</b>	36.1
---	------





*Chassis*

*Drivetrain*

<b>Transmission</b>	AMG SPEEDSHIFT® MCT 9-Speed
<b>Transmission Speeds</b>	9
<b>Drive Configuration</b>	4MATIC+ Variable All-Wheel Drive

*Engine*

<b>Engine Configuration</b>	Handcrafted AMG 4.0L V8 biturbo engine
<b>Power (hp)</b>	503 @ 5,500-6,250 rpm
<b>Torque (lb-ft)</b>	516 @ 1,750-4,500 rpm
<b>Fuel Requirement (Octane)</b>	91
<b>Compression</b>	10.5 : 1
<b>Fuel Tank Size (gallons)</b>	17.4
<b># Valves per Cylinder</b>	4
<b>Displacement (cc)</b>	3,982

*Performance*

<b>Acceleration 0-60 mph (sec)</b>	3.6
<b>Top Speed (mph)</b>	174 (lim.)

*Fuel Economy*

<b>Fuel Economy (Cty/Hwy/Comb)</b>	16/22/18
------------------------------------	----------

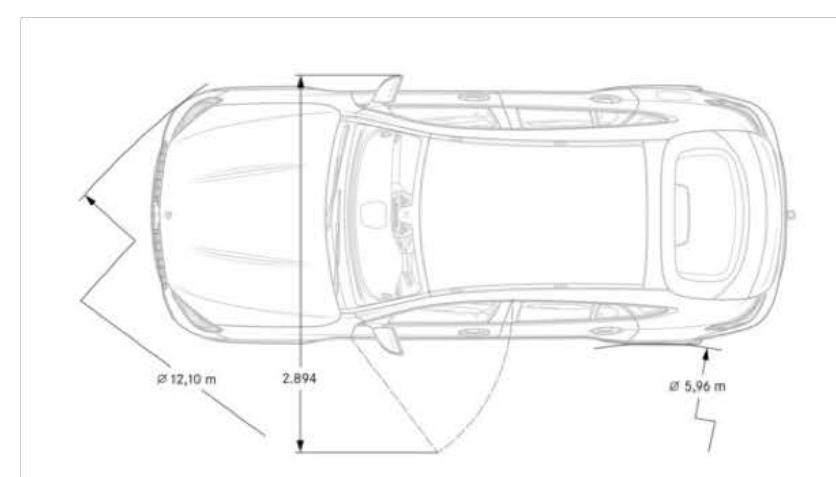
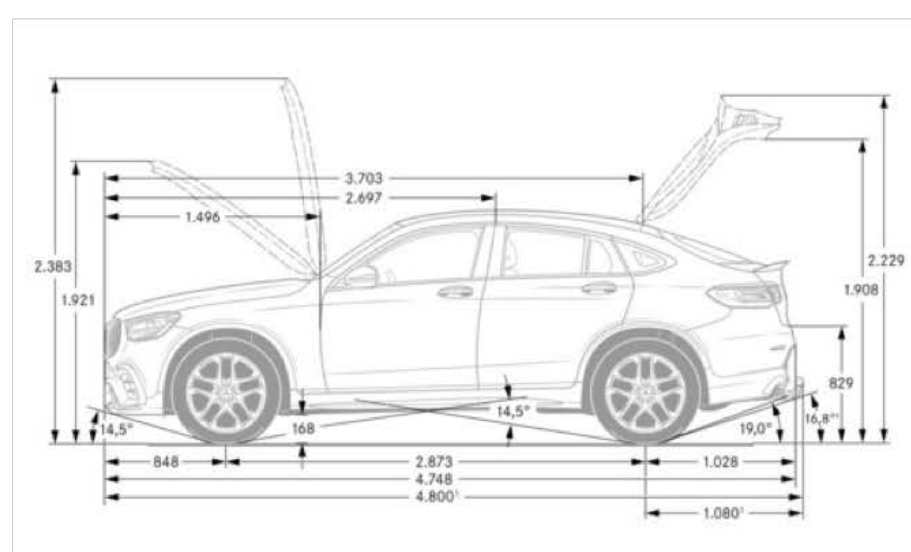
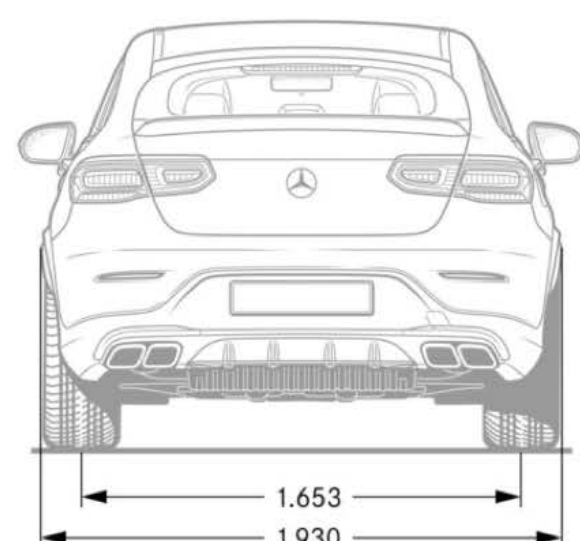
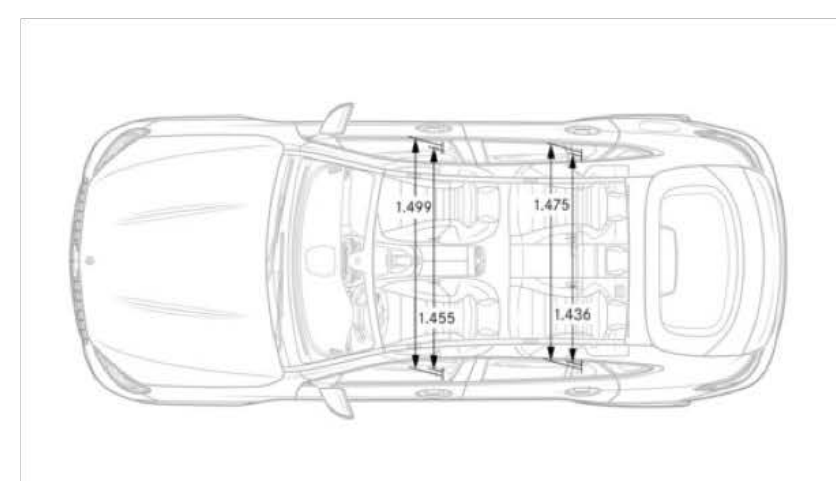
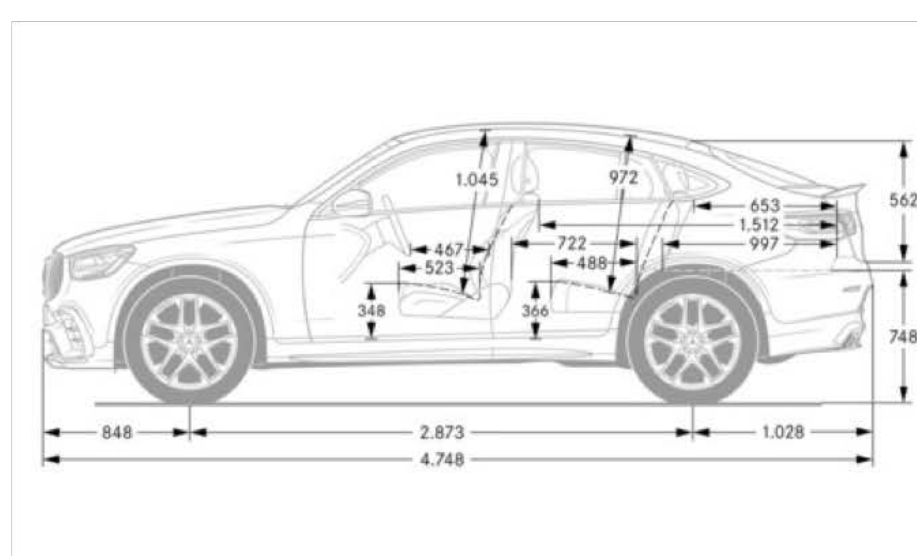
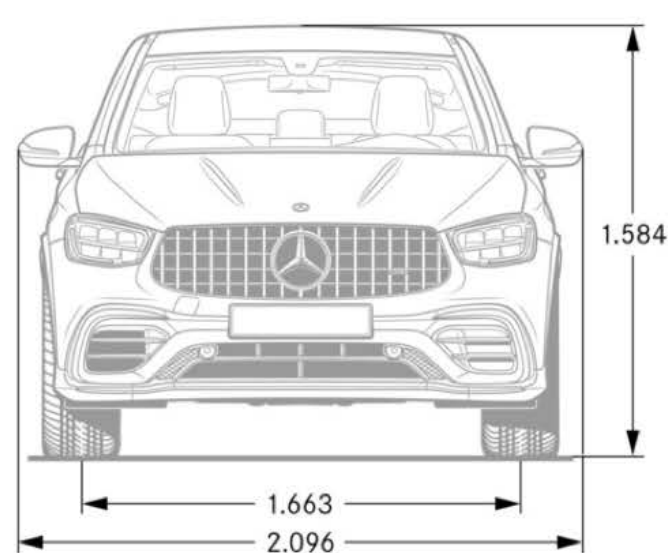
*Exterior Dimensions*

<b>Vehicle Length (in.)</b>	186.9
<b>Vehicle Width w/ Mirrors (in.)</b>	82.5
<b>Vehicle Height (in.)</b>	62.4
<b>Wheelbase (in.)</b>	113.1
<b>Track Width Front/Rear (in.)</b>	65.5/65.1
<b>Curb Weight (lbs)</b>	4,586

*Wheels and Tires*

*Interior Dimensions*

<b>Luggage Capacity Behind Front Seats (cubic feet)</b>	36.1
---	------



## Steering Wheels



## AMG Performance Steering Wheel in Nappa (L6J)

**Option price: \$0. Standard on GLC43/63; optional on GLC63 S**

For outstanding vehicle control, the AMG Performance steering wheel in Nappa leather features a flattened bottom section as well as silver-colored grip areas. The sporty design is completed by silver-colored aluminum shift paddles and a 12-o'clock marker.



## AMG Performance Steering Wheel in Nappa/DINAMICA (L6K)

**Option price: \$500. Standard on GLC63 S; optional on GLC43 and GLC63**

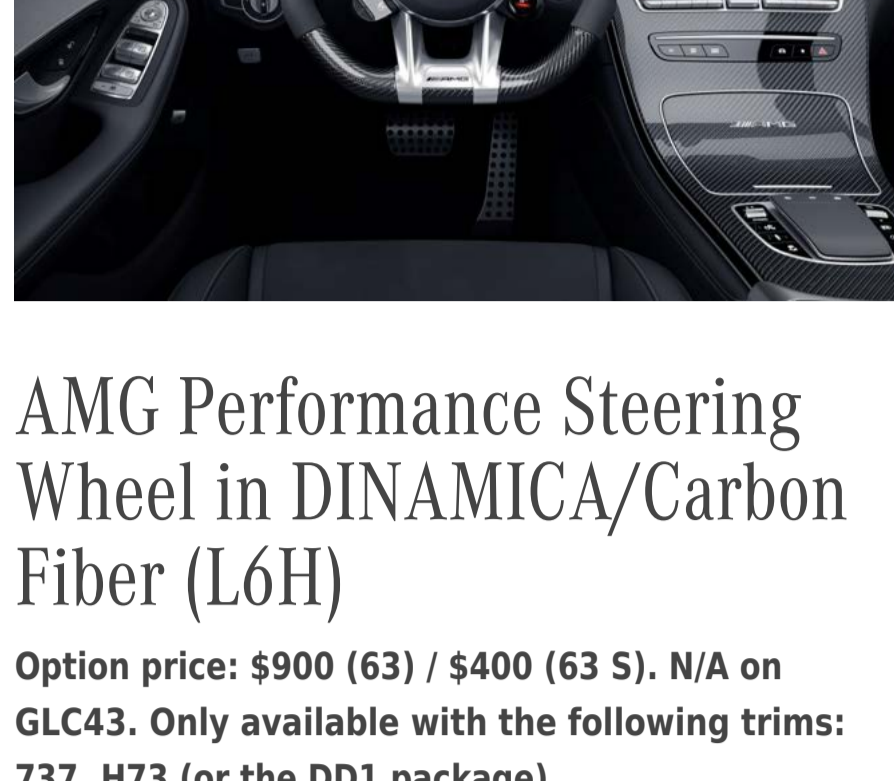
- For even better grip during sporty maneuvers, the grip area on the AMG Performance steering wheel in Nappa leather is finished in DINAMICA microfiber. The steering wheel bezel comes in silver chrome with "AMG" lettering, silver-colored aluminum shift paddles and a 12-o'clock marker to round off the design.
- For GLC63 S only:** If you have interior 811, stitching and 12 o'clock mark come in Grey. If you have interior 851, stitching and 12 o'clock mark come in White. If you have interior 857, stitching and 12 o'clock mark come in Red.



## AMG Performance Steering Wheel in DINAMICA (L6G)

**Option price: \$600 (63) / \$100 (63 S). N/A on GLC43. Requires U88 AMG DRIVE UNIT. Not available with 235 or 228 upholstery.**

This AMG steering wheel is completely finished in black non-slip DINAMICA microfiber for a precise grip.



## AMG Performance Steering Wheel in DINAMICA/Carbon Fiber (L6H)

**Option price: \$900 (63) / \$400 (63 S). N/A on GLC43. Only available with the following trims: 737, H73 (or the DD1 package).**

Striking carbon fiber is combined with black DINAMICA microfiber providing a good grip, and a visual and haptic highlight.

## AMG Drive Unit

## U88

With the AMG steering wheel buttons you can make your steering wheel radically sporty: they allow fast, purposeful control of specific dynamic driving functions. For a focused, concentrated and performance-oriented driving sensation - and an authentic racing car atmosphere in the cockpit.

The AMG Performance steering wheels with AMG steering wheel buttons are reminiscent of Formula 1 steering wheels in terms of their operation and characteristics, and for good reason: thanks to the ergonomic positioning of the additional steering wheel buttons in the immediate grip area, you can keep your hands on the steering wheel at all times - thanks to the intuitively understandable functionality, you can always keep an eye on the road. Ideal prerequisites for challenging driving situations which require your full attention.

The individual steering wheel buttons are implemented as modern, mini displays. Pictograms on the buttons visualize the AMG-specific function which can be accessed in each case.

## Components

■ Two vertically positioned function displays on the left with rocker switch. Can be freely assigned AMG functions, for example for:

- Direct selection of manual mode
- Adjustment of the adaptive suspension
- Activation/deactivation of the Electronic Stability Program (ESP®)
- Switching of AMG Performance Exhaust System

■ Function display on the right with round control knob:

- Selection of drive programs and display of currently selected mode



## AMG Track Pace

## 256

AMG Track Pace transforms your AMG vehicle into your virtual race engineer. With the aid of lap, sector and acceleration times plus selected live telematics data you can analyze and improve your driving skill on cordoned-off tracks in a targeted manner.

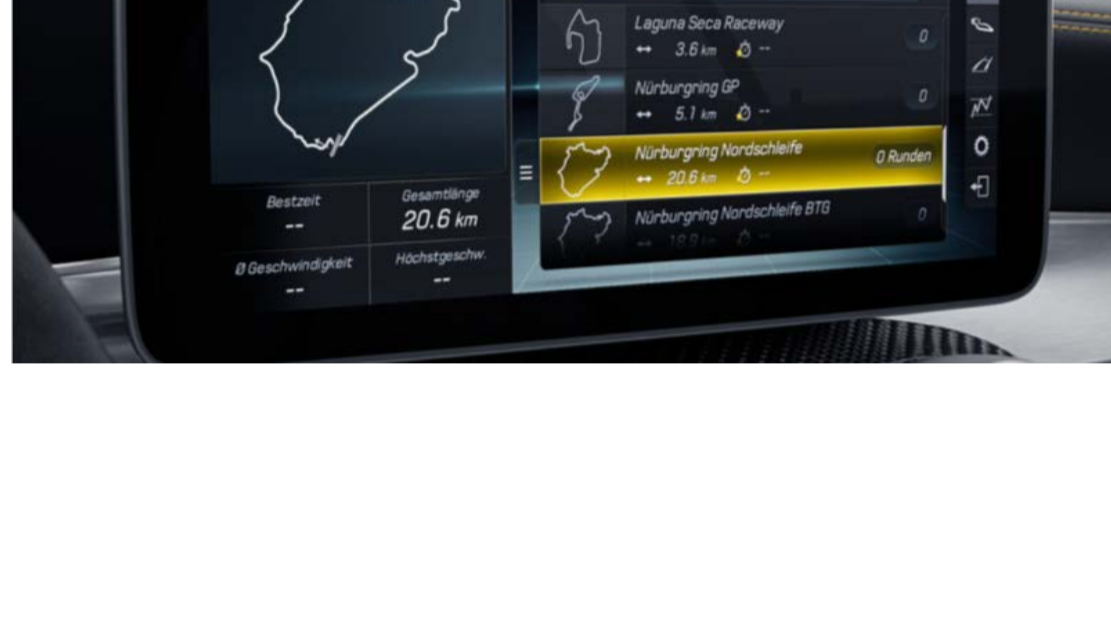
In order to determine as precise a position as possible, AMG Track Pace works with a specially programmed algorithm which combines vehicle data such as wheel speed, steering angle and yaw rate with the satellite-aided GPS positioning system and updates every 50 milliseconds (20 Hz technology). This makes position measurement significantly more precise than with external applications such as third-party-provider apps on the smartphone.

In order to record and continually improve your individual performance, recorded data such as lateral and longitudinal acceleration, accelerator and brake pedal position or steering angle are used. All values are clearly depicted and can be read out directly in the vehicle. Fast or slow laps can be noted from the corner of the eye thanks to various color displays.

As well as recording drives on circuits or public routes, AMG Track Pace can also be used to record accelerations such as from standstill to 60mph or over a quarter mile plus deceleration values. Measurement with AMG Track Pace starts automatically when driving off or in deceleration mode when falling below a certain speed.

AMG Track Pace stores individual laps and sprints in the vehicle database. You can determine a reference time and compare your current drive with it - down to the last inch. This saves you any heavy and difficult-to-use additional equipment for analyzing your driving data.

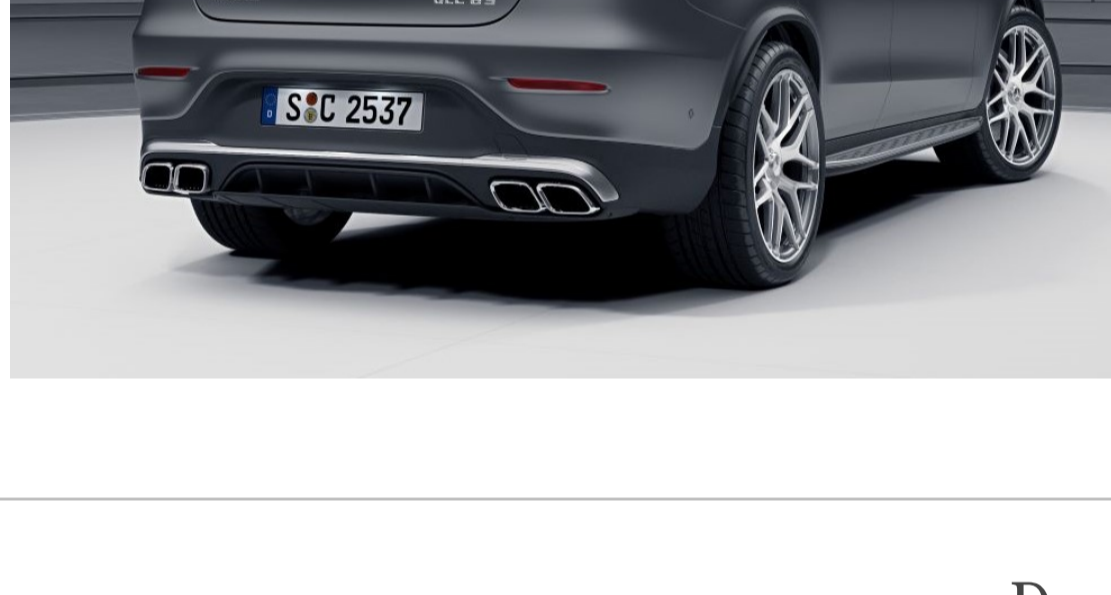
The functions of AMG Track Pace are continually being improved and extended. You can find current information at [www.mercedes-amg.com/track-pace](http://www.mercedes-amg.com/track-pace).



## AMG Aerodynamics Package

## B26

Get the most out of your vehicle: With the AMG Aerodynamics Package, you can specifically sharpen the looks while benefiting from improved driving characteristics. The additional large front spoiler lip and larger rear diffuser with diffuser blade help to reduce lift at the front and rear and make your vehicle even sportier.



## Dashcam

## 21U

Requires Multimedia Package (DA5)

The dashcam films and saves what's happening on the road in front of your vehicle - and also records the time and speed. This can help you in documenting the sequence of events in an accident, for example, and provide you the supporting evidence if necessary. Or you can hold on to landscapes and routes which are worth seeing and create your own automotive travel diary.

## Components

- Camera in the windshield
- Recording of videos with a resolution of 1280 x 720 pixels (720p) and a frame rate of 30 Hz
- Additional storage of speed and time, embedded in the video signal
- Menu in the media display, or optionally also control via the Touch Control buttons or touchpad
- Storage option via USB stick using the Media Interface
- Video material can be viewed on a computer or the media display (only possible when vehicle is stationary) - for this the storage media must first be removed from the interface and reconnected



## MBUX Interior Assistant

## 77B

Enjoy countless ease of operation: this innovative system detects and interprets your hand and arm movements. As such you can activate selected functions in a matter of seconds. As part of this, the system is able to differentiate between driver and front passenger - so that you reach precisely the menus you wish to use.

## Components

- 3D camera in the overhead control panel, proximity sensors near the media display and touchpad
- The system detects and interprets hand movements and as part of this differentiates between the driver and front passenger
- Specifically highlights certain elements in the media display or enlarges them (media/radio, seat adjustment, navigation or Active Parking Assist)
- Activate reading lamp - by moving hand up and down beneath rear-view mirror
- Activate search light - stretch hand out towards the unoccupied front passenger seat
- Call up the personal favorites menu - defined gestures, form a "V" using index and middle fingers. This feature is customizable for both driver and passenger



## Brakes



## Sports Braking System

**Standard on GLC 43 (GLC 43 only)**

4-piston front and single piston rear calipers

- Front axle: brake disks measuring 14.2 x 1.4 inch, internally ventilated and perforated, with 4-piston aluminum fixed caliper and black "AMG" lettering
- Rear axle: brake disks measuring 12.6 x 0.9 inch, internally ventilated, with 1-piston floating caliper with brake caliper-integrated electric parking brake
- Painted in silver brake calipers



## AMG High-Performance Braking System (B06)

**Standard on GLC 63 (GLC 63 only)**

6-piston front and single piston rear calipers

- Front axle: integral brake discs measuring 15.4 inch x 1.4 inch, internally ventilated and perforated with 6-piston fixed caliper
- Rear axle: brake discs measuring 14.2 x 1.0 inch, internally ventilated and perforated with 1-piston floating caliper
- Grey-painted brake calipers with white AMG lettering
- Painted in grey brake calipers



## AMG High-Performance Composite Braking System (U70)

**Standard on GLC 63 S (GLC 63 S only)**

6-piston front and single piston rear calipers

- Front axle: Compound brake disc measuring 15.4 x 1.4 inch, internally ventilated and perforated with 6-piston fixed caliper
- Rear axle: Brake discs measuring 14.2 x 1.0 inch, internally ventilated and perforated with 1-piston floating caliper
- Increased fade resistance and reduced thermal deformation of brake discs
- Painted in red brake calipers



## AMG High-Performance Ceramic Composite Braking System (B07)

**Option price: \$5,450 (GLC 63 S only). See Advisory**

6-piston front and single piston rear calipers

- Front axle: compound ceramic disc with a diameter of 15.8 x 1.5 inch, internally ventilated and perforated, with 6-piston fixed caliper
- Rear axle: integral brake disc with a diameter of 14.2 x 1.0 inch, internally ventilated, perforated and grooved with 1-piston combined floating brake caliper
- Bronze brake calipers with 40% weight saving compared with standard brake discs

## Advisory on B07 AMG High-Performance Ceramic Compound Braking System

The AMG Ceramic Compound Braking system has numerous benefits - namely, it is 40% lighter than a conventional steel braking system, offers significantly longer service life for the brake rotors, and provides exceptional resistance to brake fade under repeated aggressive stops.\*

The materials in your AMG Ceramic Compound Braking system were derived from Formula One technology, and therefore will perform differently than conventional brakes.

Especially when cold, this ceramic composite material will resonate during braking and potentially feel less responsive under light brake pressure but with no loss in braking power. You will hear sounds, e.g. squealing, that you might not expect and which may be louder than what you are used to during ordinary everyday braking maneuvers - rest assured that this is a normal operating characteristic for this brake system, and is a by-product of the unique properties of the material. Mercedes-AMG recommends that the driver engage the brakes in an assertive manner in order to mitigate some of this noise during normal operation; Mercedes-AMG also recommends that the brakes be brought up to operating temperature before use in high-performance driving situations in order to improve braking performance.

\*Brake weight based on AMG Germany official measurements. Service life based on F1 Safety car longevity and is dependent on individual driving style and conditions and will vary. Brake pads and rotors should be regularly serviced to ensure proper wear. Please reference your Mercedes-AMG Maintenance Booklet or contact your dealer for scheduled intervals.



# Build Recommendations

**GLC43** MSRP \$64,900



<b>Exterior Color</b>	922 Cirrus Silver Metallic	\$720
<b>Wheel</b>	RZX 20" AMG Y 5-spoke Wheel	\$0
<b>Upholstery</b>	641 Black MB-Tex w/ DINAMICA and Red Stitching	\$0
<b>Trim</b>	737 + 739 Natural Grain Black Ash Wood & Aluminum Trim	\$0
<b>Standalone Options</b>	810 Burmester Surround Sound System	\$850
	L6J AMG Performance Steering Wheel in Nappa	\$0
	871 HANDS-FREE ACCESS	\$100
<b>Package</b>	DC1 AMG Night Package	\$750
<b>Estimated MSRP 1</b>		\$67,320

<b>Exterior Color</b>	831 Graphite Grey	\$720
<b>Wheel</b>	RZY 20" AMG Y 5-Spoke Wheel w/ Black Accents	\$200
<b>Upholstery</b>	228 Magma Grey	\$1,620
<b>Trim</b>	H31 Natural Grain Grey Oak	\$0
<b>Standalone Options</b>	810 Burmester Surround Sound System	\$850
	U78 AMG Performance Exhaust System	\$1,250
	L6J AMG Performance Steering Wheel in Nappa	\$0
	871 HANDS-FREE ACCESS	\$100
<b>Package</b>	DA5 Multimedia Package	\$1,300
	DC1 AMG Night Package	\$750
<b>Estimated MSRP 2</b>		\$71,690

<b>Exterior Color</b>	197 Obsidian Black	\$720
<b>Wheel</b>	RWN 21" AMG Split 10-Spoke Wheel w/ Black Accents	\$1,500
<b>Upholstery</b>	297 Cranberry Red	\$1,620
<b>Trim</b>	H73 AMG Carbon Fiber	\$975
<b>Standalone Options</b>	810 Burmester Surround Sound System	\$850
	401 Ventilated Front Seats	\$450
	U78 AMG Performance Exhaust System	\$1,250
	256 AMG Track Pace	\$250
	U17 Omission of Color Seat Belts	\$0
	L6J AMG Performance Steering Wheel in Nappa	\$0
	871 HANDS-FREE ACCESS	\$100
<b>Package</b>	DA5 Multimedia Package	\$1,300
	DA4 Exterior Lighting Package	\$800
	DC1 AMG Night Package	\$750
<b>Estimated MSRP 3</b>		\$75,465

**GLC63** MSRP \$76,900



<b>Exterior Color</b>	149 Polar White	\$0
<b>Wheel</b>	RZT 20" AMG Twin 5-spoke Wheel w/ Black Accents	\$200
<b>Upholstery</b>	611 Black MB-Tex w/ DINAMICA	\$0
<b>Trim</b>	737 + 739 Natural Grain Black Ash Wood & Aluminum Trim	\$0
<b>Standalone Options</b>	L6J AMG Performance Steering Wheel in Nappa	\$0
	871 HANDS-FREE ACCESS	\$100
<b>Package</b>	DC1 AMG Night Package	\$750
<b>Estimated MSRP 1</b>		\$77,950

<b>Exterior Color</b>	040 Black	\$0
<b>Wheel</b>	RWK 21" AMG Multispoke Wheel	\$1,000
<b>Upholstery</b>	801 Black Nappa	\$2,590
<b>Trim</b>	H31 Natural Grain Grey Oak	\$0
<b>Standalone Options</b>	401 Ventilated Front Seats	\$450
	U88 AMG DRIVE UNIT	\$400
	L6J AMG Performance Steering Wheel in Nappa	\$0
	871 HANDS-FREE ACCESS	\$100
<b>Package</b>	DC1 AMG Night Package	\$750
	DA4 Exterior Lighting Package	\$800
<b>Estimated MSRP 2</b>		\$82,990

**GLC63 S** MSRP \$84,500



<b>Exterior Color</b>	922 Cirrus Silver	\$720
<b>Wheel</b>	RWD 21" AMG Forged Cross-spoke Wheel	\$2,250
<b>Upholstery</b>	811 Black w/ Grey Accents	\$0
<b>Trim</b>	737 + 739 Natural Grain Black Ash Wood & Aluminum Trim	\$0
<b>Standalone Options</b>	L6K AMG Performance Steering Wheel in Nappa/DINAMICA	\$0
	871 HANDS-FREE ACCESS	\$100
<b>Package</b>	DC1 AMG Night Package	\$750
<b>Estimated MSRP 1</b>		\$88,320

<b>Exterior Color</b>	831 Graphite Grey	\$720
<b>Wheel</b>	RWE 21" AMG Forged Cross-spoke Wheel, Black	\$2,750
<b>Upholstery</b>	858 Magma Grey/Black Nappa w/ Yellow Accents	\$0
<b>Trim</b>	H73 AMG Carbon Fiber	\$975
<b>Standalone Options</b>	401 Ventilated Front Seats	\$450
	L6H AMG Performance Steering Wheel in DINAMICA/Carbon Fiber	\$400
	B26 AMG Aerodynamics Package	\$1,400
	871 HANDS-FREE ACCESS	\$100
<b>Package</b>	DA4 Exterior Lighting Package	\$800
	DA2 Driver Assistance Package	\$1,700
<b>Estimated MSRP 2</b>		\$93,795

# Gallery

All

Exterior

Interior

