

2022 GLC Coupe Order Guide



Table of Contents

1	General Information
2	What's New
3	Models
4	Equipment
4.1	Standard Equipment
4.2	Exterior Paint Colors
4.3	Wheels
4.4	Interior Upholstery
4.6	Interior Trims
4.7	Packages
4.8	Options
4.9	Specifications
5	Options In Detail
6	Gallery

General Information

Important Note

The information presented in this guide is based on the most current information available and is intended for internal use only. Mercedes-Benz reserves the right to make changes at any time, without notice, to colors, materials, equipment, special specifications and models.

Pricing may not yet be finalized for some models or options.

Due to variances among monitors and printers the colors that appear on your screen and printouts may not be exact.

For illustrative purposes, some images may show vehicles with European Specification.

Revision History

Date	Description
06/16/2021	AMG Pricing Updates on Wheels, Paints, LED Intelligent Light System, and 2 USB Ports in Rear
05/25/2021	Initial publication.

What's New

Models

- **GLC63 Coupe (non-S version) no longer offered**

Standard Equipment

- **USB-C Adapter Cable**
- **HANDS-FREE ACCESS**
- **Adaptive Highbeam Assist**
- **12.3" Digital Instrument Cluster (GLC43 only since already standard on GLC63 S)**

Paint

- **Starling Blue (970) replaces Brilliant Blue (896)**

Upholstery

- **Magma Grey/Black Leather (228) no longer available**
- **designo Platinum White/Black upholstery package (DD1) no longer available**

Wheels

- **21" AMG Forged Cross-spoke wheels (RWD) no longer available**

Options

- **AMG Carbon Ceramic Braking System (B07) no longer available**
- **LED Intelligent Light System (640) now a stand-alone option**
- **DA4 Exterior Lighting Package no longer available**
- **New option: 2 USB Ports in Rear (U82)**

Models



GLC43 (253.364)

- MSRP: TBD
- Transmission: AMG SPEEDSHIFT® TCT 9-Speed
- Transmission Speeds: 9
- Acceleration 0-60 mph (sec): 4.7
- Engine Configuration: AMG-enhanced 3.0L V6 biturbo engine
- Power (hp): 385 @ 5,500-6,100 rpm
- Torque (lb-ft): 384 @ 2,500-5,000 rpm
- Launch Date: Q4 2021



GLC63 S (253.389)

- MSRP: \$84,500
- Transmission: AMG SPEEDSHIFT® MCT 9-Speed
- Transmission Speeds: 9
- Acceleration 0-60 mph (sec): 3.6
- Engine Configuration: Handcrafted AMG 4.0L V8 biturbo engine
- Power (hp): 503 @ 5,500-6,250 rpm
- Torque (lb-ft): 516 @ 1,750-4,500 rpm
- Launch Date: Q4 2021

Standard Equipment

GLC43



Performance & Handling

- AMG Enhanced 3.0L V6 Biturbo (385 hp, 384 lb-ft torque)
- AMG SPEEDSHIFT® TCT 9-speed Transmission
- AMG DYNAMIC SELECT
- AMG Sport Suspension based on AIR BODY CONTROL
- AMG Performance 4MATIC (31:69)
- 3-Stage ESP

Comfort & Convenience

- KEYLESS START & KEYLESS GO
- Bluetooth® Technology (for Handsfree Phone Use/Audio Streaming)
- HD Radio
- Power and Heated Front Seats w/ Memory
- Power Tilt & Telescoping Steering Column
- Power Windows with Express Up and Down
- Automatic Headlamps with Twilight Sensor & Locator Lighting
- 10.25" Center Media Display with touchpad
- AMG Performance Steering Wheel
- Garage Door Opener
- Sliding Sunroof
- Adaptive Highbeam Assist
- Front and Rear Cupholders
- Power Liftgate
- Smartphone Integration (Apple CarPlay and Android Auto)
- HANDS-FREE ACCESS
- USB-C Adapter Cable
- SiriusXM Satellite Radio
- 4-way Lumbar Support
- Electronic Cruise Control
- Power Folding Mirrors
- 64-Color Ambient Lighting & AMG Illuminated Door Sills
- 12.3" Digital Instrument Cluster
- Dual-Zone Automatic Climate Control
- Intermittent Wipers with Rain Sensor
- LED Headlamps and taillights
- Auto-Dimming Driver & Rearview Mirror
- Split-Folding Rear Seats (40/20/40)
- 115V AC Power Outlet

Safety & Security

- New Vehicle 4 Year/50,000 Mile Warranty
- 3-point Seat Belt with Pretensioners & Dual-Stage Belt Force Limiter
- Front and Rear Side Window Airbags
- Driver Kneebag
- PARKTRONIC w/ Active Parking Assist
- ATTENTION ASSIST Driver Drowsiness Monitor
- PRE-SAFE
- Tire Pressure Monitoring System
- Blind Spot Assist
- 24h Roadside Assistance Program
- Front Dual-Stage Airbags
- Front Side Airbags
- Surround View Camera
- ISOFIX Anchor and Tether System
- Active Brake Assist
- Smart Key with Panic Button
- Anti-theft Alarm System

Performance & Handling

- Handcrafted AMG 4.0L V8 Biturbo (503 hp, 516 lb-ft torque)
- AMG SPEEDSHIFT® MCT 9-Speed Transmission
- Electronic rear-axle limited-slip differential
- AMG DYNAMIC SELECT (including RACE mode)
- AMG Performance Exhaust System
- AMG Sport Suspension based on AIR BODY CONTROL
- AMG High Performance Braking System
- AMG Performance 4MATIC+ (fully variable torque distribution)
- 3-Stage ESP
- AMG Dynamic Engine Mounts

Comfort & Convenience

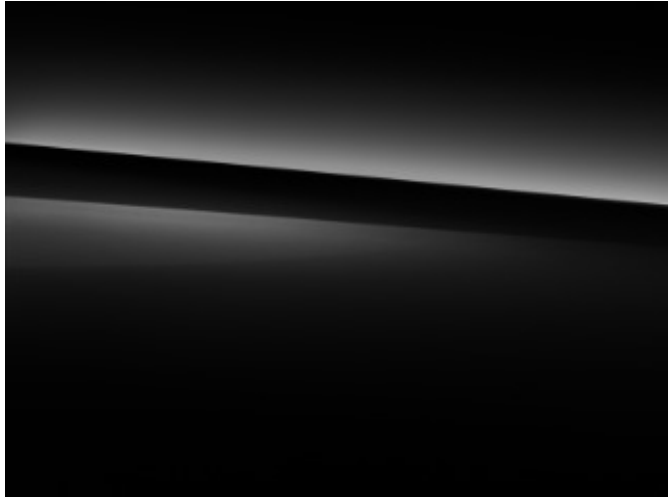
- KEYLESS START & KEYLESS GO
- Power Folding Mirrors
- USB-C Adapter Cable
- SiriusXM Satellite Radio
- 4-way Lumbar Support
- Electronic Cruise Control
- Automatic Headlamps with Twilight Sensor & Locator Lighting
- 10.25" Center Media Display with touchpad
- Dual-Zone Automatic Climate Control
- Intermittent Wipers with Rain Sensor
- LED Headlamps and taillights
- Auto-Dimming Driver & Rearview Mirror
- Split-Folding Rear Seats (40/20/40)
- 115V AC Power Outlet
- Burmester® Surround Sound System
- Multimedia Package including Navigation, Live Traffic, and Augmented Reality
- AMG DRIVE UNIT
- HANDS-FREE ACCESS
- Bluetooth® Technology (for Handsfree Phone Use/Audio Streaming)
- HD Radio
- Power and Heated Front Seats w/ Memory
- Power Tilt & Telescoping Steering Column
- Power Windows with Express Up and Down
- 64-Color Ambient Lighting & AMG Illuminated Door Sills
- AMG Performance Steering Wheel
- Garage Door Opener
- Sliding Sunroof
- Adaptive Highbeam Assist
- Front and Rear Cupholders
- Power Liftgate
- Smartphone Integration (Apple CarPlay and Android Auto)
- 12.3" Digital Instrument Cluster
- AMG Track Pace

Safety & Security

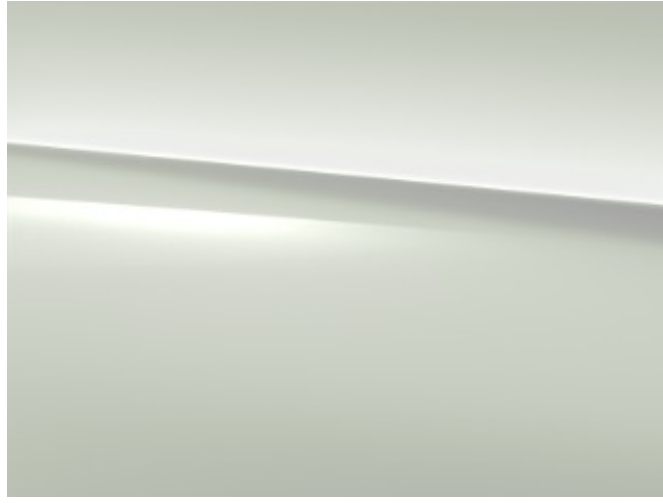
- New Vehicle 4 Year/50,000 Mile Warranty
- 3-point Seat Belt with Pretensioners & Dual-Stage Belt Force Limiter
- Front and Rear Side Window Airbags
- Driver Kneebag
- PARKTRONIC w/ Active Parking Assist
- ATTENTION ASSIST Driver Drowsiness Monitor
- PRE-SAFE
- Tire Pressure Monitoring System
- Blind Spot Assist
- 24h Roadside Assistance Program
- Front Dual-Stage Airbags
- Front Side Airbags
- Surround View Camera
- ISOFIX Anchor and Tether System
- Active Brake Assist
- Smart Key with Panic Button
- Anti-theft Alarm System

Paint

Non-Metallic Paints

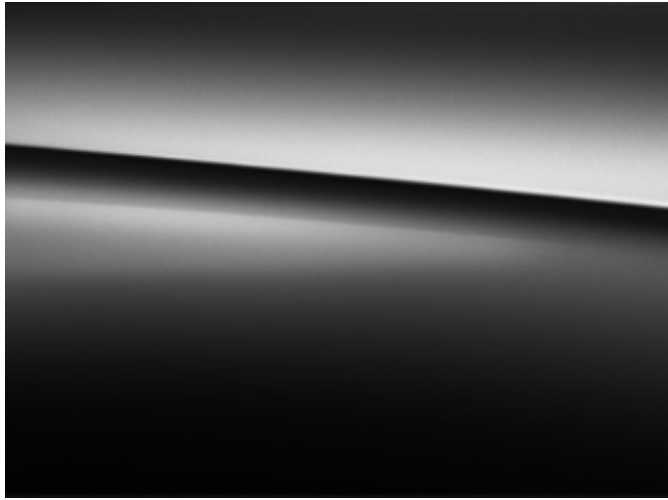


040 - Black

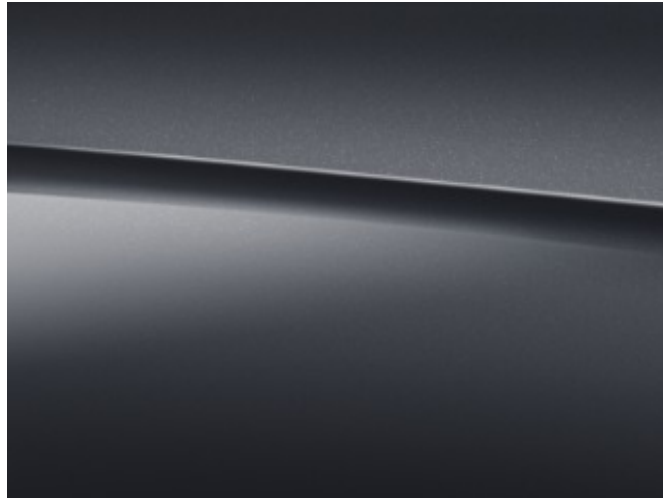


149 - Polar White

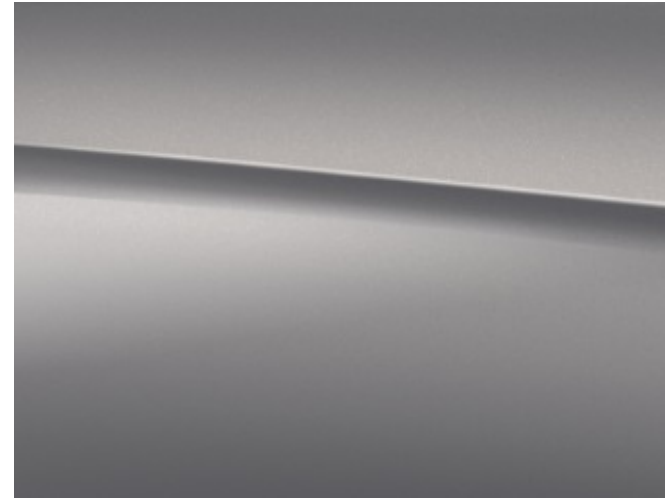
Metallic Paints



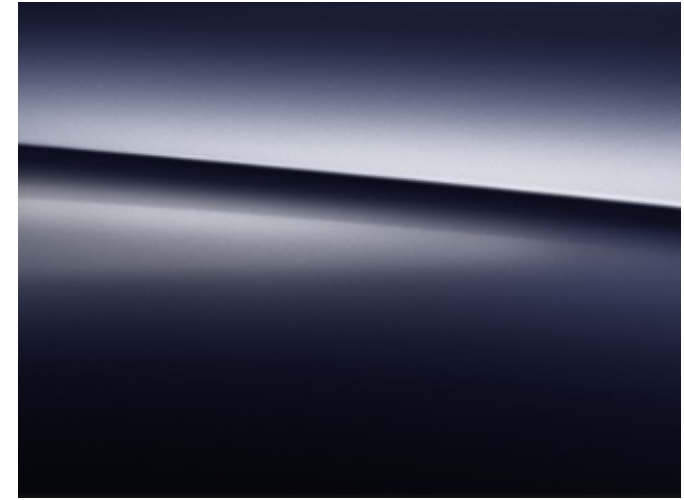
197 - Obsidian Black



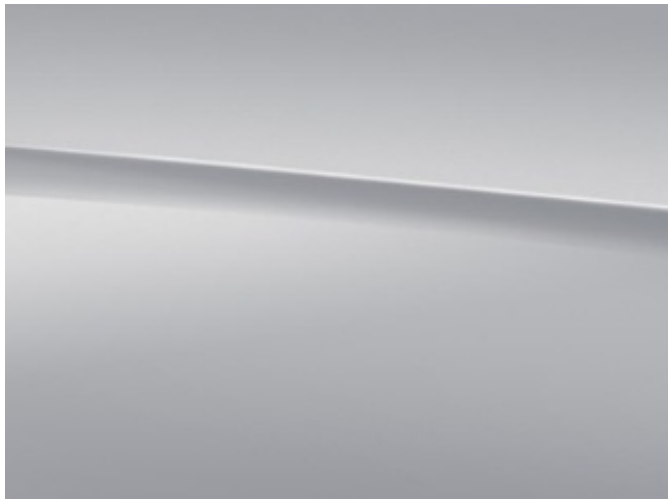
831 - Graphite Grey



859 - Mojave Silver



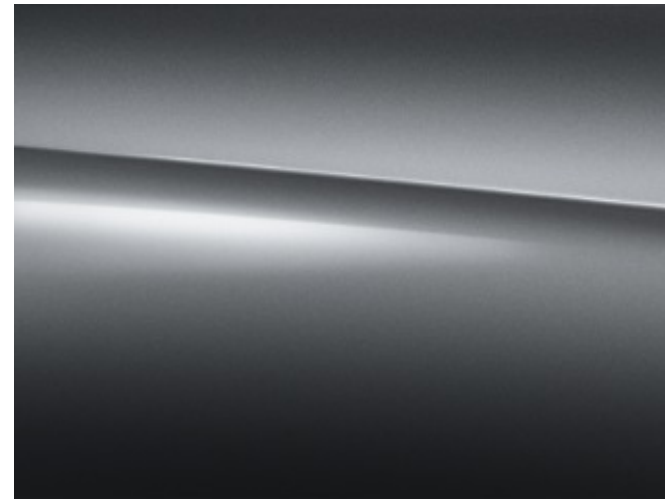
890 - Lunar Blue



922 - Cirrus Silver Metallic

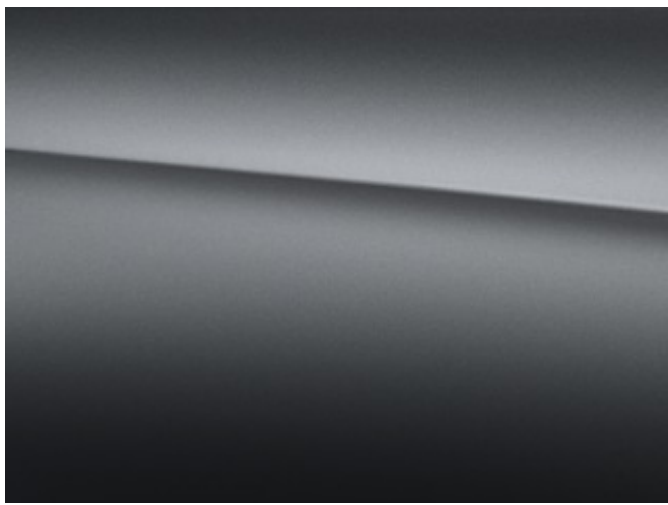


970 - Starling Blue

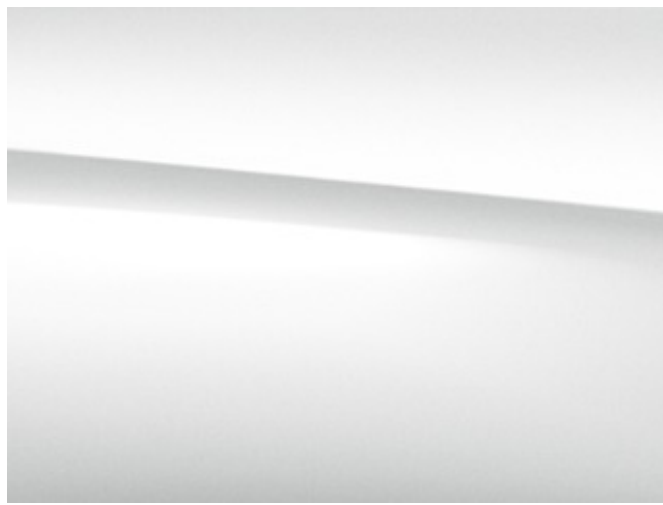


992 - Selenite Grey

MANUFAKTUR Paints



297 - Selenite Grey Magno



799 - Diamond White Metallic



996 - Cardinal Red Metallic

<i>Code</i>	<i>Description</i>	<i>Availability</i>	<i>Price</i>
040	Black	All Models	\$0
149	Polar White	All Models	\$0
197	Obsidian Black	All Models	\$750
831	Graphite Grey	All Models	\$750
859	Mojave Silver	All Models	\$750
890	Lunar Blue	All Models	\$750
922	Cirrus Silver Metallic	All Models	\$750
970	Starling Blue	All Models	\$750
992	Selenite Grey	All Models	\$750
297	Selenite Grey Magno	All Models	\$2,020
799	Diamond White Metallic	All Models	\$1,515
996	Cardinal Red Metallic	All Models	\$1,080

Wheels



RZX - 20" AMG Y 5-spoke Wheel

Standard on GLC43
20"

R02 (All-Season Tires), R66 (MOE Tires - Extended Mobility)

255/45 R20 on 8.5 J x 20 ET40 (Front) 285/40 R20 on 9.5 J x 20 ET22 (Rear)

RZY - 20" AMG Y 5-Spoke Wheel w/ Black Accents

20"

R02 (All-Season Tires), R66 (MOE Tires - Extended Mobility)

255/45 R20 on 8.5 J x 20 ET40 (Front) 285/40 R20 on 9.5 J x 20 ET22 (Rear)

RWM - 21" AMG Split 10-Spoke Wheel

21"

R01 (High-Performance Tires), B51 (Tirefit Mobility Kit)

255/40 R21 on 8.5 J x 21 ET40 (Front) 285/35 R21 on 9.5 J x 21 ET22 (Rear)

RWN - 21" AMG Split 10-Spoke Wheel w/ Black Accents

21"

R01 (High-Performance Tires), B51 (Tirefit Mobility Kit)

255/40 R21 on 8.5 J x 21 ET40 (Front) 285/35 R21 on 9.5 J x 21 ET22 (Rear)



RZS - 20" AMG Twin 5-spoke Wheel

20"

R01 (High-Performance Tires), B51 (Tirefit Mobility Kit)

265/45 R20 on 9.5 J x 20 ET30 (Front) 295/40 R20 on 10 J x 20 ET28 (Rear)

RZT - 20" AMG Twin 5-spoke Wheel w/ Black Accents

20"

R01 (High-Performance Tires), B51 (Tirefit Mobility Kit)

265/45 R20 on 9.5 J x 20 ET30 (Front) 295/40 R20 on 10 J x 20 ET28 (Rear)

RWK - 21" AMG Multispoke Wheel

21"

R01 (High-Performance Tires), B51 (Tirefit Mobility Kit)

265/40 R21 on 9.5 J x 21 ET30 (Front) 295/35 R21 on 10 J x 21 ET28 (Rear)

RWL - 21" AMG Multispoke Wheel, Black

21"

R01 (High-Performance Tires), B51 (Tirefit Mobility Kit)

265/40 R21 on 9.5 J x 21 ET30 (Front) 295/35 R21 on 10 J x 21 ET28 (Rear)



RWE - 21" AMG Forged Cross-spoke Wheel, Black

21"

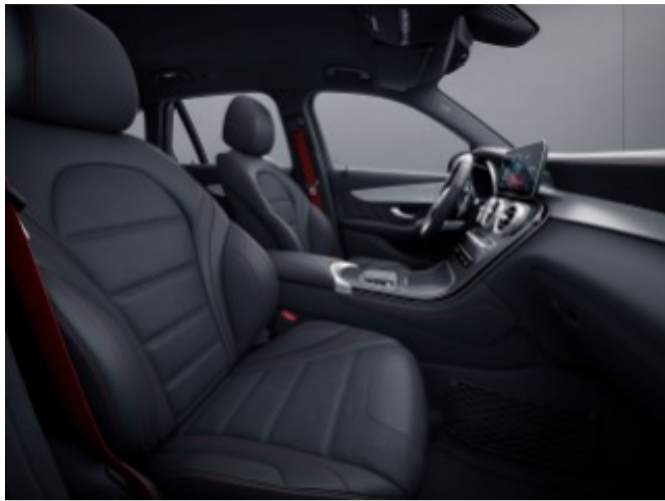
R01 (High-Performance Tires), B51 (Tirefit Mobility Kit)

265/40 R21 on 9.5 J x 21 ET30 (Front) 295/35 R21 on 10 J x 21 ET28 (Rear)

Code	Wheel Size	Description	Wheel Dimensions	Mobility	Availability	MSRP
RZX	20"	Standard on GLC43	255/45 R20 on 8.5 J x 20 ET40 (Front) 285/40 R20 on 9.5 J x 20 ET22 (Rear)	R02 (All-Season Tires), R66 (MOE Tires - Extended Mobility)	GLC43	\$0
RZY	20"		255/45 R20 on 8.5 J x 20 ET40 (Front) 285/40 R20 on 9.5 J x 20 ET22 (Rear)	R02 (All-Season Tires), R66 (MOE Tires - Extended Mobility)	GLC43	\$200
RWM	21"		255/40 R21 on 8.5 J x 21 ET40 (Front) 285/35 R21 on 9.5 J x 21 ET22 (Rear)	R01 (High-Performance Tires), B51 (Tirefit Mobility Kit)	GLC43	\$1,100
RWN	21"		255/40 R21 on 8.5 J x 21 ET40 (Front) 285/35 R21 on 9.5 J x 21 ET22 (Rear)	R01 (High-Performance Tires), B51 (Tirefit Mobility Kit)	GLC43	\$1,600
RZS	20"		265/45 R20 on 9.5 J x 20 ET30 (Front) 295/40 R20 on 10 J x 20 ET28 (Rear)	R01 (High-Performance Tires), B51 (Tirefit Mobility Kit)	GLC63 S	\$0
RZT	20"		265/45 R20 on 9.5 J x 20 ET30 (Front) 295/40 R20 on 10 J x 20 ET28 (Rear)	R01 (High-Performance Tires), B51 (Tirefit Mobility Kit)	GLC63 S	\$200
RWK	21"		265/40 R21 on 9.5 J x 21 ET30 (Front) 295/35 R21 on 10 J x 21 ET28 (Rear)	R01 (High-Performance Tires), B51 (Tirefit Mobility Kit)	GLC63 S	\$1,100
RWL	21"		265/40 R21 on 9.5 J x 21 ET30 (Front) 295/35 R21 on 10 J x 21 ET28 (Rear)	R01 (High-Performance Tires), B51 (Tirefit Mobility Kit)	GLC63 S	\$1,600
RWE	21"		265/40 R21 on 9.5 J x 21 ET30 (Front) 295/35 R21 on 10 J x 21 ET28 (Rear)	R01 (High-Performance Tires), B51 (Tirefit Mobility Kit)	GLC63 S	\$2,850

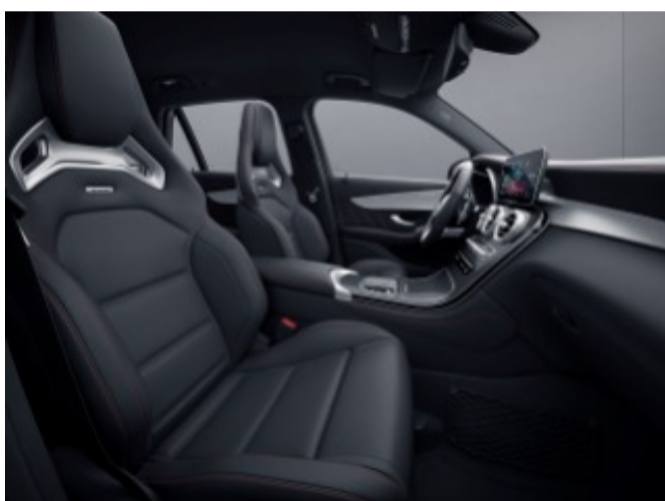
Upholstery

MB Tex



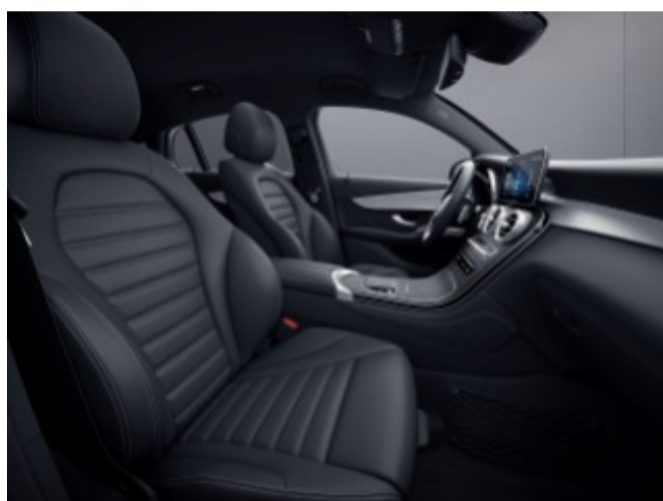
641 - Black MB-Tex w/ DINAMICA and Red Stitching

Leather



241 - Black Leather w/ Red Stitching

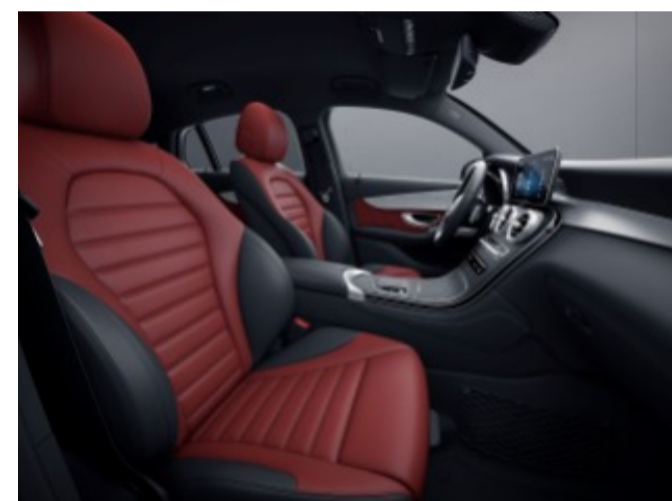
Seats in picture are not available. Refer to 261 for seat design.



261 - Black



264 - Saddle Brown



297 - Cranberry Red

Nappa Leather



801 - Black Nappa

Also available with AMG Performance Seats (DE5)



811 - Black Nappa w/ Grey Accents

Also available with AMG Performance Seats (DE5) as shown



851 - Platinum White Pearl/Black Nappa

Also available with AMG Performance Seats (DE5) as shown



857 - Red Pepper/Black Nappa

Also available with AMG Performance Seats (DE5) as shown



858 - Magma Grey/Black Nappa w/ Yellow Accents

Also available with AMG Performance Seats (DE5) as shown

<i>Code</i>	<i>Description</i>	<i>Availability</i>	<i>Price</i>
641	Black MB-TEX w/ DINAMICA and Red Stitching	GLC43	\$0
241	Black Leather w/ Red Stitching Seats in picture are not available. Refer to 261 for seat design.	GLC43	\$1,620
261	Black	GLC43	\$1,620
264	Saddle Brown	GLC43	\$1,620
297	Cranberry Red	GLC43	\$1,620
801	Black Nappa Also available with AMG Performance Seats (DE5)	GLC63 S	\$0
811	Black Nappa w/ Grey Accents Also available with AMG Performance Seats (DE5) as shown	GLC63 S	\$0
851	Platinum White Pearl/Black Nappa Also available with AMG Performance Seats (DE5) as shown	GLC63 S	\$0
857	Red Pepper/Black Nappa Also available with AMG Performance Seats (DE5) as shown	GLC63 S	\$0
858	Magma Grey/Black Nappa w/ Yellow Accents Also available with AMG Performance Seats (DE5) as shown	GLC63 S	\$0

<i>Code</i>	<i>Upholstery</i>	<i>Seats</i>	<i>Floor Mats</i>	<i>Upper Dash/Lower Dash</i>	<i>Seat Belts</i>	<i>Steering Wheel</i>	<i>Headliner</i>
641	Black MB-TEX w/ DINAMICA and Red Stitching	Black	Black	Black/Black	Red	Black	Black
241	Black Leather w/ Red Stitching Seats in picture are not available. Refer to 261 for seat design.	Black	Black	Black/Black	Red	Black	Black
261	Black	Black	Black	Black/Black	Black	Black	Black
264	Saddle Brown	Saddle Brown	Black	Black/Black	Black	Black	Black
297	Cranberry Red	Cranberry Red/ Black	Black	Black/Black	Black	Black	Black
801	Black Nappa Also available with AMG Performance Seats (DE5)	Black	Black	Black	Black	Black	Black
811	Black Nappa w/ Grey Accents Also available with AMG Performance Seats (DE5) as shown	Black w/ Grey Accents	Black	Black	Silver	Black	Black
851	Platinum White Pearl/Black Nappa Also available with AMG Performance Seats (DE5) as shown	Platinum White Pearl/Black	Black	Black	Black	Black	Black
857	Red Pepper/Black Nappa Also available with AMG Performance Seats (DE5) as shown	Red Pepper/Black	Black	Black	Black	Black	Black
858	Magma Grey/Black Nappa w/ Yellow Accents Also available with AMG Performance Seats (DE5) as shown	Magma Grey/Black	Black	Black	Black	Black	Black

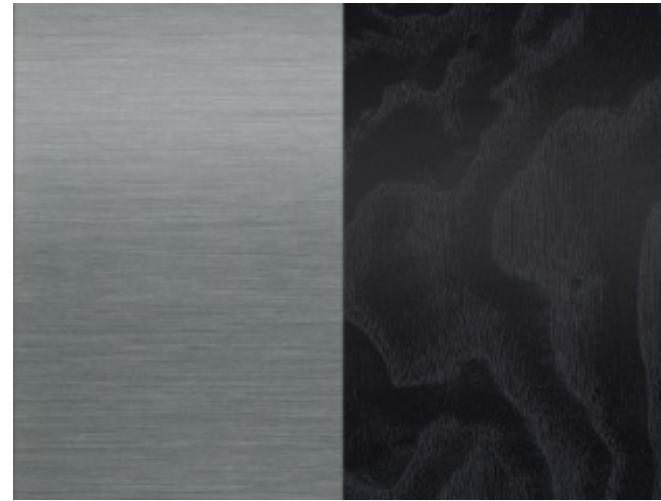
Trims



H07 - Dark Brown Linden Wood



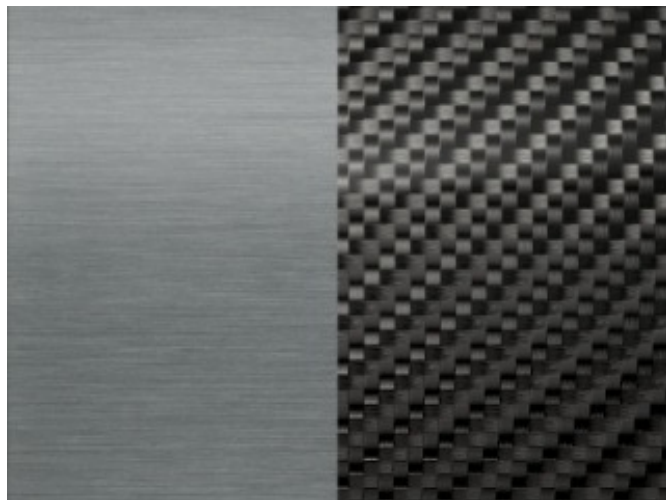
H31 - Natural Grain Grey Oak



737 + 739 - Natural Grain Black Ash Wood & Aluminum Trim



H33 - Natural Grain Walnut Wood



H73 - AMG Carbon Fiber

Door trim in aluminum

<i>Code</i>	<i>Description</i>	<i>Availability</i>	<i>Price</i>
H07	Dark Brown Linden Wood	All Models	\$0
H31	Natural Grain Grey Oak	All Models	\$0
737 + 739	Natural Grain Black Ash Wood & Aluminum Trim	All Models	\$0
H33	Natural Grain Walnut Wood	All Models	\$0
H73	AMG Carbon Fiber Door trim in aluminum	All Models	\$975

Packages

<i>Code</i>	<i>Packages</i>	<i>Availability</i>	<i>MSRP</i>
DA2	<p>Driver Assistance Package</p> <p>GLC43: Requires DA5 Multimedia Package</p> <ul style="list-style-type: none"> ▪ BAS PLUS with Cross-Traffic Assist ▪ DISTRONIC PLUS with Steering Assist and Stop & Go Pilot ▪ Active Blind Spot Assist ▪ Active Lane Keeping Assist ▪ Route-Based Speed Adaptation ▪ Active Lane Change Assist ▪ Active Emergency Stop Assist ▪ PRE-SAFE® Brake with Pedestrian Recognition ▪ PRE-SAFE® PLUS ▪ Active Speed Limit Assist 	All Models	\$1,700
DA5	<p>Multimedia Package</p> <p>Standard on GLC63 S</p> <ul style="list-style-type: none"> ▪ MBUX Premium Multimedia System ▪ Augmented Video for Navigation ▪ Navigation Services ▪ MB Hard-Disc Navigation with Live Traffic 	GLC43	\$1,295
DC1	<p>AMG Night Package</p> <p>Not with DC2 AMG Performance Studio Package (already included)</p> <ul style="list-style-type: none"> ▪ GLC43: Gloss black elements include front splitter trim, rear diffuser trim, window trim, and exterior mirror housings; exhaust tailpipes in black chrome ▪ GLC63/63 S: Gloss black elements include A-Wing and front splitter trim, side sill inserts, rear diffuser trim, exterior mirror housings, and window trim; exhaust tailpipes in black chrome 	All Models	\$750
DC2	<p>AMG Performance Studio Package</p> <p>Not with 550 Class II Trailer Hitch; Not with DC1 AMG Night Package (already included)</p> <ul style="list-style-type: none"> ▪ AMG Night Package contents ▪ AMG Optics Package including high-gloss black for the following: front splitter in the front apron, diffuser board on rear apron, and rear spoiler lip 	GLC43	\$1,950
DC4	<p>AMG Exterior Carbon Fiber Package</p> <p>Only available on GLC63 S</p> <ul style="list-style-type: none"> ▪ AMG Carbon Fiber Exterior Mirror Covers 	GLC63 S	\$1,200
DE5	<p>AMG Performance Seat Package Advanced</p> <p>Required for leather and designo upholsteries. N/A on GLC43.</p> <ul style="list-style-type: none"> ▪ AMG Performance Seats 	GLC63 S	\$2,500

Options

Factory Options

<i>Code</i>	<i>Options</i>	<i>Availability</i>	<i>MSRP</i>
L6J	AMG Performance Steering Wheel in Nappa	All Models	\$0
L6K	AMG Performance Steering Wheel in Nappa/DINAMICA	All Models	\$500 (GLC43) \$0 (GLC63 S)
U17	Black Seatbelts Can be selected with 641 or 241 (GLC43) to change from red seat belts, or 811 or 851 (GLC63 S) to change from silver seat belts. All other upholsteries already come with black seat belts.	All Models	\$0
U78	AMG Performance Exhaust System	GLC43	\$1,250
U82	2 USB Ports in Rear Replaces 115V outlet (U80)	All Models	\$50
U88	AMG DRIVE UNIT Required with L6G steering wheel. Not available with 443. Standard on GLC63 S.	GLC43	\$400
21U	Dashcam On GLC43, requires DA5 Multimedia Package	All Models	\$200
256	AMG Track Pace On GLC43, requires DA5 Multimedia Package	GLC43	\$250
293	Rear Side Air Bags	All Models	\$700
401	Heated and Ventilated Front Seats GLC43: not with 297, 264, or 641 upholsteries	All Models	\$450
443	Heated Steering Wheel Not available with U88	GLC43	\$250
463	Head-Up Display with AMG-specific Content	All Models	\$1,100
550	Class II Trailer Hitch On GLC43, not with DC2 AMG Performance Studio Package	All Models	\$575
581	3-Zone Automatic Climate Control	All Models	\$760
640	LED Intelligent Light System	All Models	\$650
690	Emergency Spare Tire Removes lockable compartment on trunk floor	GLC43	\$200
77B	MBUX Interior Assistant	All Models	\$300
810	Burmester Surround Sound System	GLC43	\$850
846	Brushed Aluminum Running Boards	All Models	\$650
851	Heat & Noise-Insulating Front-Side Dual-Pane Glass	GLC43	\$150
872	Heated Rear Seats	All Models	\$580
897	Inductive Wireless Charging & NFC Pairing	All Models	\$200
B26	AMG Aerodynamics Package Includes additional large front spoiler and larger rear diffuser w/ diffuser attachment. Only on GLC63 S; not with 550 trailer hitch	GLC63 S	\$1,400
L6G	AMG Performance Steering Wheel in DINAMICA Requires U88	GLC63 S	\$100
L6H	AMG Performance Steering Wheel in DINAMICA/Carbon Fiber	GLC63 S	\$400
U97	Spoiler Lip in High-Gloss Black Only in conjunction with DC1 AMG Night Package	GLC63 S	\$350

VPC Installed Options

<i>Code</i>	<i>Options</i>	<i>Availability</i>	<i>MSRP</i>
D03	Illuminated Star Not with Driver's Assistance Package (DA2)	All Models	\$500
D07	Wheel Locking Bolts	All Models	\$150
D08	Chrome Door Handle Inserts	All Models	\$100
D32	LED AMG Crest Projectors	All Models	\$275
D43	All-Season Floor Mats, Black Rubber 4 Pack	All Models	\$160

Specifications

GLC43



Chassis

Drivetrain

Transmission	AMG SPEEDSHIFT® TCT 9-Speed
Transmission Speeds	9
Drive Configuration	4MATIC All-Wheel Drive

Engine

Engine Configuration	AMG-enhanced 3.0L V6 biturbo engine
Power (hp)	385 @ 5,500-6,100 rpm
Torque (lb-ft)	384 @ 2,500-5,000 rpm
Fuel Requirement (Octane)	91
Compression	10.5 : 1
Fuel Tank Size (gallons)	17.4
# Valves per Cylinder	4
Displacement (cc)	2,996

Performance

Acceleration 0-60 mph (sec)	4.7
Top Speed (mph)	130 (lim.), 155 w/ R01 tires

Fuel Economy

Fuel Economy (Cty/Hwy/Comb)	17/24/20
-----------------------------	----------

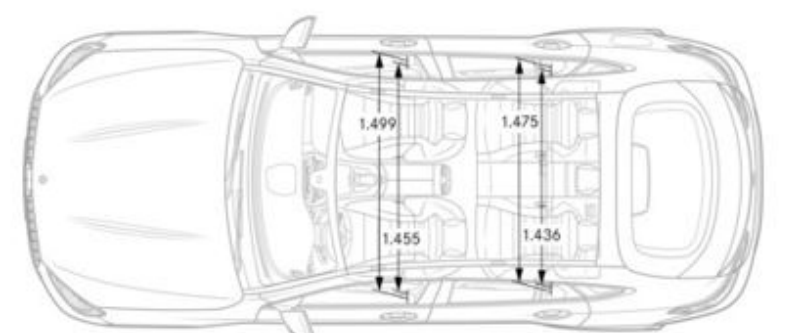
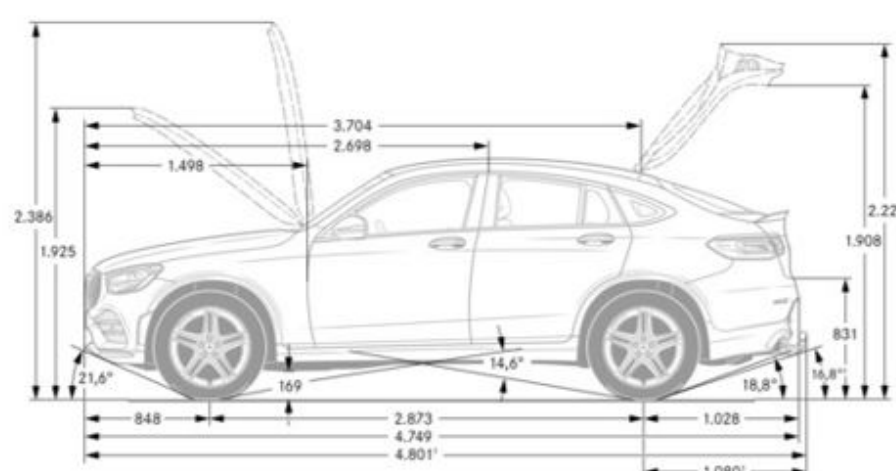
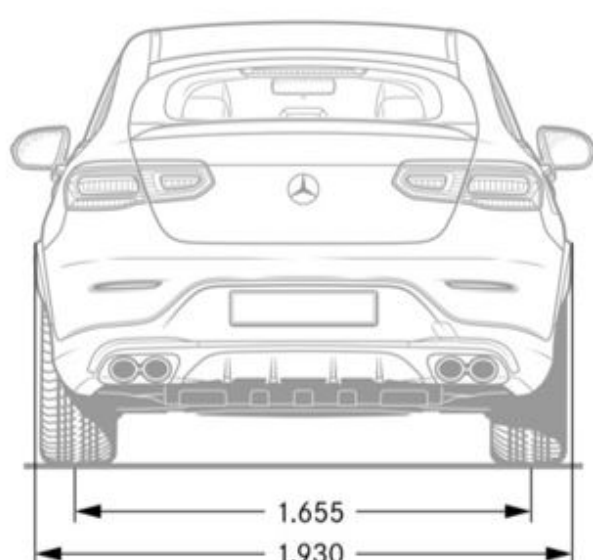
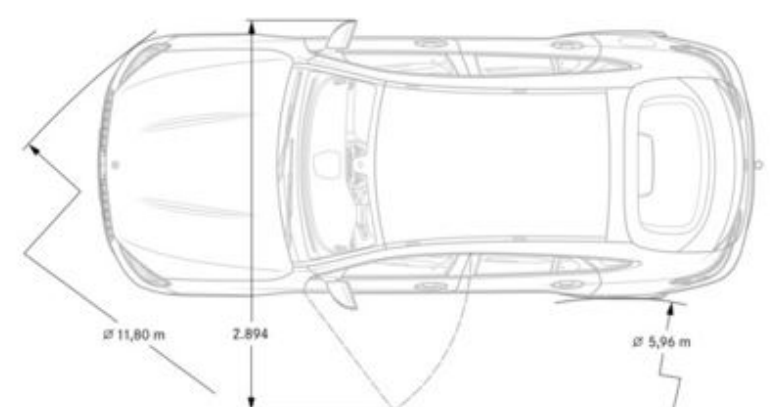
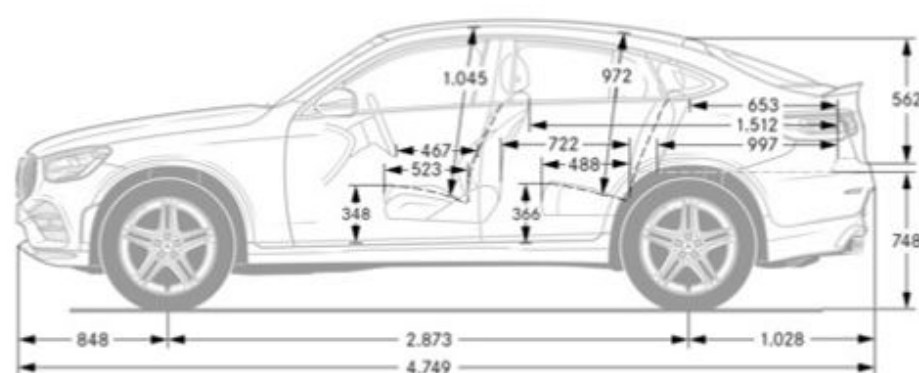
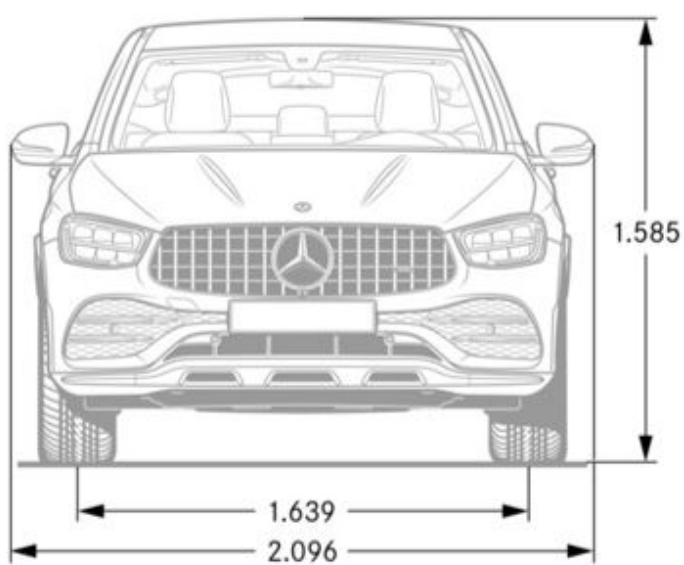
Exterior Dimensions

Vehicle Length (in.)	187
Vehicle Width w/ Mirrors (in.)	82.5
Vehicle Height (in.)	62.4
Wheelbase (in.)	113.1
Track Width Front/Rear (in.)	64.5/65.2
Curb Weight (lbs)	4,235

Wheels and Tires

Interior Dimensions

Luggage Capacity Behind Rear Seats (cubic feet)	18.05
---	-------



Chassis

Drivetrain

Transmission	AMG SPEEDSHIFT® MCT 9-Speed
Transmission Speeds	9
Drive Configuration	4MATIC+ Variable All-Wheel Drive

Engine

Engine Configuration	Handcrafted AMG 4.0L V8 biturbo engine
Power (hp)	503 @ 5,500-6,250 rpm
Torque (lb-ft)	516 @ 1,750-4,500 rpm
Fuel Requirement (Octane)	91
Compression	10.5 : 1
Fuel Tank Size (gallons)	17.4
# Valves per Cylinder	4
Displacement (cc)	3,982

Performance

Acceleration 0-60 mph (sec)	3.6
Top Speed (mph)	174 (lim.)

Fuel Economy

Fuel Economy (Cty/Hwy/Comb)	15/22/17
------------------------------------	----------

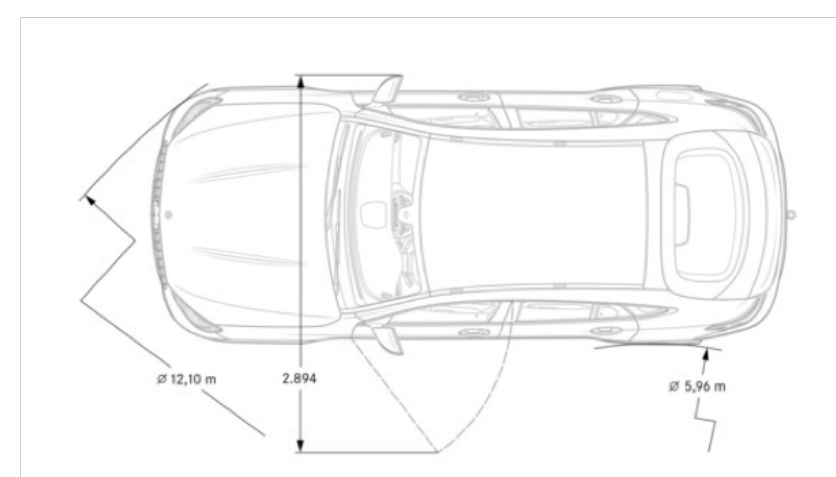
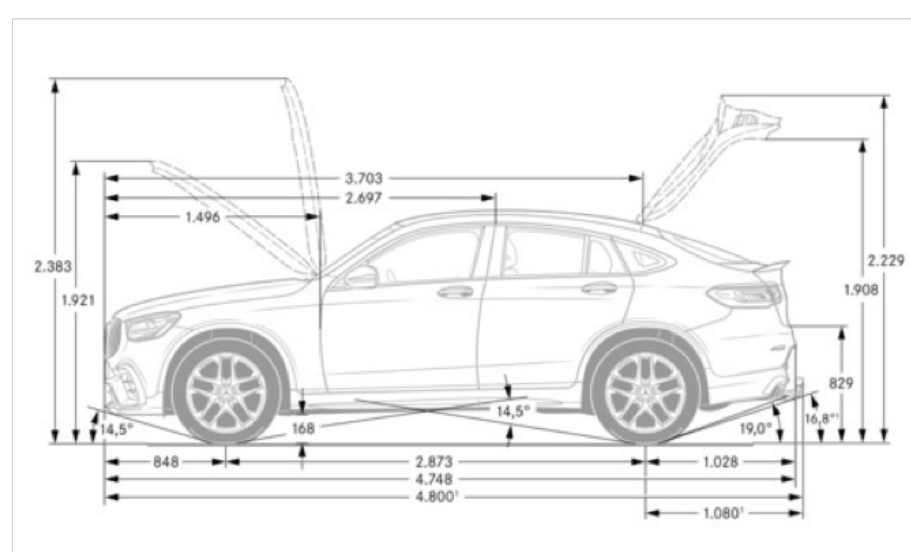
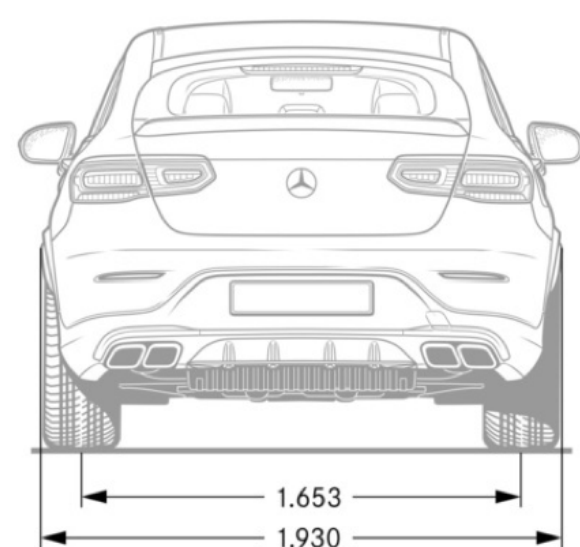
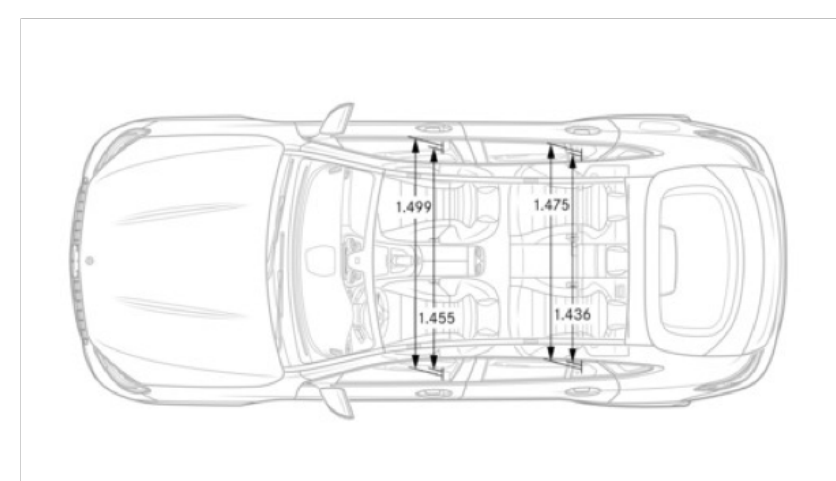
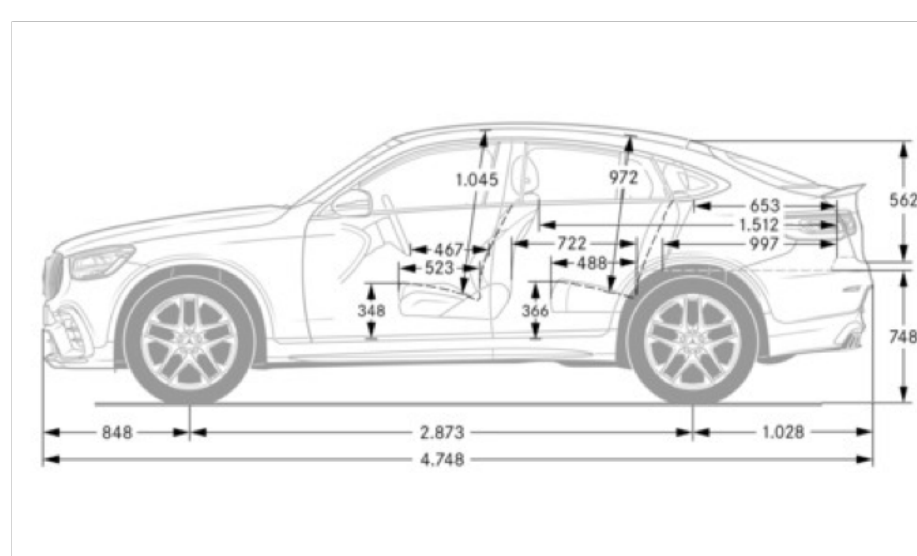
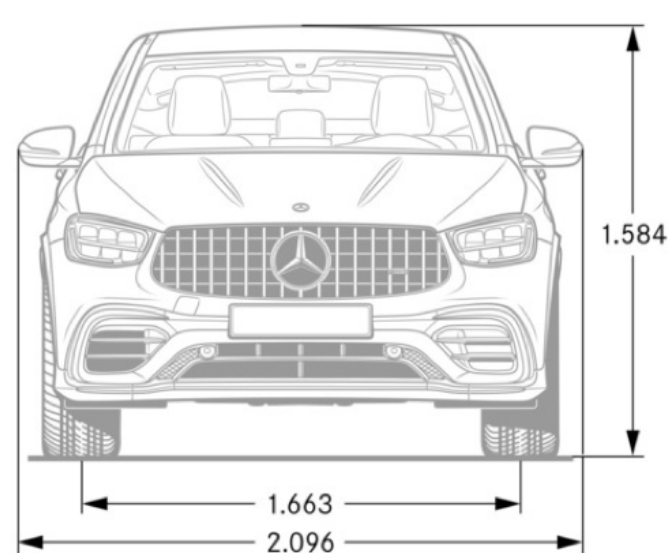
Exterior Dimensions

Vehicle Length (in.)	186.9
Vehicle Width w/ Mirrors (in.)	82.5
Vehicle Height (in.)	62.4
Wheelbase (in.)	113.1
Track Width Front/Rear (in.)	65.5/65.1
Curb Weight (lbs)	4,590

Wheels and Tires

Interior Dimensions

Luggage Capacity Behind Rear Seats (cubic feet)	18.05
--	-------



Steering Wheels



AMG Performance Steering Wheel in Nappa (L6J)

Option price: \$0. Standard on GLC43

For performance vehicle control, the AMG Performance steering wheel in Nappa leather features a flattened bottom section as well as perforated grip areas. The sporty design is completed by silver-colored aluminum shift paddles and a 12-o'clock marker.



AMG Performance Steering Wheel in Nappa/DINAMICA (L6K)

Option price: \$500. Standard on GLC63 S

- For even better grip during sporty maneuvers, the grip area on the AMG Performance steering wheel in Nappa leather is finished in DINAMICA microfiber. The steering wheel bezel comes in silver chrome with "AMG" lettering, silver-colored aluminum shift paddles and a 12-o'clock marker to round off the design.

- For GLC63 S only:** If you have interior 811, stitching and 12 o'clock mark come in Grey. If you have interior 851, stitching and 12 o'clock mark come in White. If you have interior 857, stitching and 12 o'clock mark come in Red.



AMG Performance Steering Wheel in DINAMICA (L6G)

Option price: \$100 Only available on GLC63 S.

This AMG steering wheel is completely finished in black non-slip DINAMICA microfiber for a precise grip.



AMG Performance Steering Wheel in DINAMICA/Carbon Fiber (L6H)

Option price: \$400 Only available on GLC63 S.

Only available with the following trims: 737, H73 (or the DD1 package).

Striking carbon fiber is combined with black DINAMICA microfiber providing a good grip, and a visual and haptic highlight.

AMG Drive Unit

U88

With the AMG steering wheel buttons you can make your steering wheel radically sporty: they allow fast, purposeful control of specific dynamic driving functions. For a focused, concentrated and performance-oriented driving sensation - and an authentic racing car atmosphere in the cockpit.

The AMG Performance steering wheels with AMG steering wheel buttons are reminiscent of Formula 1 steering wheels in terms of their operation and characteristics, and for good reason: thanks to the ergonomic positioning of the additional steering wheel buttons in the immediate grip area, you can keep your hands on the steering wheel at all times - thanks to the intuitively understandable functionality, you can always keep an eye on the road. Ideal prerequisites for challenging driving situations which require your full attention.

The individual steering wheel buttons are implemented as modern, mini displays. Pictograms on the buttons visualize the AMG-specific function which can be accessed in each case.

Components

■ Two vertically positioned function displays on the left with rocker switch. Can be freely assigned AMG functions, for example for:

- Direct selection of manual mode
- Adjustment of the adaptive suspension
- Activation/deactivation of the Electronic Stability Program (ESP®)
- Switching of AMG Performance Exhaust System

■ Function display on the right with round control knob:

- Selection of drive programs and display of currently selected mode



AMG Track Pace

256

AMG Track Pace transforms your AMG vehicle into your virtual race engineer. With the aid of lap, sector and acceleration times plus selected live telemetrics data you can analyze and improve your driving skill on cordoned-off tracks in a targeted manner.

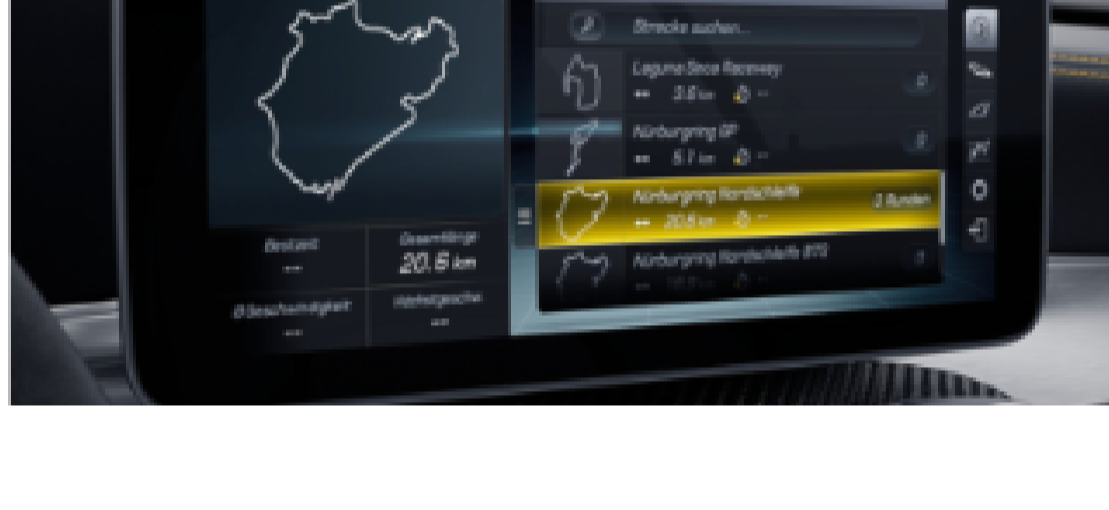
In order to determine as precise a position as possible, AMG Track Pace works with a specially programmed algorithm which combines vehicle data such as wheel speed, steering angle and yaw rate with the satellite-aided GPS positioning system and updates every 50 milliseconds (20 Hz technology). This makes position measurement significantly more precise than with external applications such as third-party-provider apps on the smartphone.

In order to record and continually improve your individual performance, recorded data such as lateral and longitudinal acceleration, accelerator and brake pedal position or steering angle are used. All values are clearly depicted and can be read out directly in the vehicle. Fast or slow laps can be noted from the corner of the eye thanks to various color displays.

As well as recording drives on circuits or public routes, AMG Track Pace can also be used to record accelerations such as from standstill to 60mph or over a quarter mile plus deceleration values. Measurement with AMG Track Pace starts automatically when driving off or in deceleration mode when falling below a certain speed.

AMG Track Pace stores individual laps and sprints in the vehicle database. You can determine a reference time and compare your current drive with it - down to the last inch. This saves you any heavy and difficult-to-use additional equipment for analyzing your driving data.

The functions of AMG Track Pace are continually being improved and extended. You can find current information at www.mercedes-amg.com/track-pace.



AMG Aerodynamics Package



B26

Get the most out of your vehicle: With the AMG Aerodynamics Package, you can specifically sharpen the looks while benefitting from improved driving characteristics. The additional large front spoiler lip and larger rear diffuser with diffuser blade help to reduce lift at the front and rear and make your vehicle even sportier.

*63 non-S model in photo is no longer available

Dashcam

21U

Requires Multimedia Package (DA5)



The dashcam films and saves what's happening on the road in front of your vehicle - and also records the time and speed. This can help you in documenting the sequence of events in an accident, for example, and provide you the supporting evidence if necessary. Or you can hold on to landscapes and routes which are worth seeing and create your own automotive travel diary.

Components

-Camera in the windshield

-Recording of videos with a resolution of 1280 x 720 pixels (720p) and a frame rate of 30 Hz

-Additional storage of speed and time, embedded in the video signal

-Menu in the media display, or optionally also control via the Touch Control buttons or touchpad

-Storage option via USB stick using the Media Interface

-Video material can be viewed on a computer or the media display (only possible when vehicle is stationary) - for this the storage media must first be removed from the interface and reconnected

MBUX Interior Assistant

77B

Enjoy contactless ease of operation: this innovative system detects and activates your hand and arm movements. As such you can activate selected functions in a matter of seconds. As part of this, the system is able to differentiate between driver and front passenger - so that you reach precisely the menus you wish to use.

Components

-3D camera in the overhead control panel, proximity sensors near the media display and touchpad

-The system detects and interprets hand movements and as part of this differentiates between the driver and front passenger

-Specifically highlights certain elements in the media display or enlarges them (media/radio, seat adjustment, navigation or Active Parking Assist)

-Activate reading lamp - by moving hand up and down beneath rear-view mirror

-Activate search light - stretch hand out towards the unoccupied front passenger seat

-Call up the personal favorites menu - defined gestures, form a "V" using index and middle fingers. This feature is customizable for both driver and passenger



Brakes



Sports Braking System

Standard on GLC 43

4-piston front and single piston rear calipers

- Front axle: brake disks measuring 14.2 x 1.4 inch, internally ventilated and perforated, with 4-piston aluminum fixed caliper and black "AMG" lettering
- Rear axle: brake disks measuring 12.6 x 0.9 inch, internally ventilated, with 1-piston floating caliper with brake caliper-integrated electric parking brake
- Painted in silver brake calipers



AMG High-Performance Composite Braking System (U70)

Standard on GLC 63 S

6-piston front and single piston rear calipers

- Front axle: Compound brake disc measuring 15.4 x 1.4 inch, internally ventilated and perforated with 6-piston fixed caliper
- Rear axle: Brake discs measuring 14.2 x 1.0 inch, internally ventilated and perforated with 1-piston floating caliper
- Increased fade resistance and reduced thermal deformation of brake discs
- Painted in red brake calipers

Gallery

All

Exterior

Interior

