

# 2022 GLC SUV Order Guide



# Table of Contents

|     |                                       |
|-----|---------------------------------------|
| 1   | <a href="#">General Information</a>   |
| 2   | <a href="#">What's New</a>            |
| 3   | <a href="#">Models</a>                |
| 4   | <a href="#">Equipment</a>             |
| 4.1 | <a href="#">Standard Equipment</a>    |
| 4.2 | <a href="#">Exterior Paint Colors</a> |
| 4.3 | <a href="#">Wheels</a>                |
| 4.4 | <a href="#">Interior Upholstery</a>   |
| 4.6 | <a href="#">Interior Trims</a>        |
| 4.7 | <a href="#">Packages</a>              |
| 4.8 | <a href="#">Options</a>               |
| 4.9 | <a href="#">Specifications</a>        |
| 5   | <a href="#">Options In Detail</a>     |
| 6   | <a href="#">Gallery</a>               |

# General Information

## Important Note

The information presented in this guide is based on the most current information available and is intended for internal use only. Mercedes-Benz reserves the right to make changes at any time, without notice, to colors, materials, equipment, special specifications and models.

Pricing may not yet be finalized for some models or options.

Due to variances among monitors and printers the colors that appear on your screen and printouts may not be exact.

For illustrative purposes, some images may show vehicles with European Specification.

## Revision History

| <b>Date</b> | <b>Description</b>   |
|-------------|--|
| 06/16/2021  | AMG Pricing Updates on Wheels, Paints, 2 USB Ports in Rear, and LED Intelligent Light System |
| 05/25/2021  | Initial publication.   |

# What's New

## *Models*

- **New model: GLC63 S SUV**

## *Standard Equipment*

- **USB-C Adapter Cable**
- **HANDS-FREE ACCESS**
- **Adaptive Highbeam Assist**
- **12.3" Digital Instrument Cluster for GLC43 (GLC63/S already had it standard)**

## *Paint*

- **Starling Blue (970) replaces Brilliant Blue (896)**
- **"MANUFAKTUR" nomenclature replaces "designo" for applicable paints**

## *Upholstery*

- **Magma Grey/Black Leather (228) no longer available**
- **designo Platinum White/Black upholstery package (DD1) no longer available**

## *Wheels*

- **21" AMG Forged Cross-spoke wheels (RWD) no longer available**

## *Options*

- **DA4 Exterior Lighting Package is no longer available**
- **640 LED Intelligent Light System is now a stand-alone option.**
- **New option: 2 USB Ports in Rear (U82)**

# Models



## **GLC43 (253.964)**

- MSRP: TBD
- Transmission: AMG SPEEDSHIFT® TCT 9-Speed
- Transmission Speeds: 9
- Acceleration: 0-60 mph 4.7 sec
- Engine Configuration: AMG-enhanced 3.0L V6 biturbo engine
- Power (hp): 385 hp @ 5,500-6,100 rpm
- Torque (lb-ft): 384 lb-ft @ 2,500-5,000 rpm
- Launch Date: Q4 2021



## **GLC63 (253.988)**

- MSRP: TBD
- Transmission: AMG SPEEDSHIFT® MCT 9-Speed
- Transmission Speeds: 9
- Acceleration: 0-60 mph 3.8 sec
- Engine Configuration: Handcrafted AMG 4.0L V8 biturbo engine
- Power (hp): 469 hp @ 5,500-6,250 rpm
- Torque (lb-ft): 479 lb-ft @ 1,750-4,500 rpm
- Launch Date: Q4 2021



## **GLC63 S (253.989)**

- MSRP: TBD
- Transmission: AMG SPEEDSHIFT® MCT 9-Speed
- Transmission Speeds: 9
- Acceleration: 0-60 mph 3.6 sec
- Engine Configuration: Handcrafted AMG 4.0L V8 biturbo engine
- Power (hp): 503 hp @ 5,500-6,250 rpm
- Torque (lb-ft): 516 lb-ft @ 2,000-4,500 rpm
- Launch Date: Q4 2021

# Standard Equipment

GLC43



## *Performance & Handling*

- AMG Enhanced 3.0L V6 Biturbo (385 hp, 384 lb-ft torque)
- AMG SPEEDSHIFT® TCT 9-speed Automatic Transmission
- AMG DYNAMIC SELECT
- AMG Sport Suspension based on AIR BODY CONTROL
- AMG Performance 4MATIC (31:69)
- 3-Stage ESP

## *Comfort & Convenience*

- KEYLESS START & KEYLESS GO
- 12.3" Digital Instrument Cluster
- Bluetooth® Technology (for Handsfree Phone Use/Audio Streaming)
- HD Radio
- USB-C Adapter Cable
- 4-way Lumbar Support
- Electronic Cruise Control
- Power Folding Mirrors
- AMG Performance Steering Wheel w/ Shift Paddles
- Dual-Zone Automatic Climate Control
- Intermittent Wipers with Rain Sensor
- Front and Rear Cupholders
- Power Liftgate
- Adaptive Highbeam Assist
- HANDS-FREE ACCESS
- 10.25" Center Touchscreen Display w/ Touchpad
- SiriusXM Satellite Radio
- Smartphone Integration (Apple CarPlay and Android Auto)
- Power Heated Front Seats with Memory Function
- Power Tilt & Telescoping Steering Column
- Power Windows with Express Up and Down
- Storage Package
- 64-Color Ambient Lighting & AMG Illuminated Door Sills
- Garage Door Opener
- Auto-Dimming Driver & Rearview Mirror
- Split-Folding Rear Seats (40/20/40)
- LED headlamps and taillights
- 115V AC Power Outlet

## *Safety & Security*

- New Vehicle 4 Year/50,000 Mile Warranty
- 3-point Seat Belt with Pretensioners & Dual-Stage Belt Force Limiter
- Front and Rear Side Window Airbags
- Driver Kneebag
- PARKTRONIC w/ Active Parking Assist
- ATTENTION ASSIST Driver Drowsiness Monitor
- PRE-SAFE®
- Tire Pressure Monitoring System
- Blind Spot Assist
- 24h Roadside Assistance Program
- Front Dual-Stage Airbags
- Front Side Airbags
- Reversing Camera
- ISOFIX Anchor and Tether System
- Active Brake Assist
- SmartKey with Panic Button
- Anti-theft Alarm System

*Performance & Handling*

- Handcrafted AMG 4.0L V8 Biturbo (469 hp, 479 lb-ft torque)
- AMG SPEEDSHIFT® MCT 9-Speed Transmission
- AMG Performance 4MATIC+ (fully variable torque distribution)
- AMG DYNAMIC SELECT
- AMG Performance Exhaust System
- AMG Sport Suspension based on AIR BODY CONTROL
- Electronic limited-slip differential
- AMG High Performance Braking System
- 3-Stage ESP

*Comfort & Convenience*

- KEYLESS START & KEYLESS GO
- Power Folding Mirrors
- Bluetooth® Technology (for Handsfree Phone Use/Audio Streaming)
- Touchpad with 10.25" Center Touchscreen Display
- HD Radio
- USB-C Adapter Cable
- 4-way Lumbar Support
- Electronic Cruise Control
- Storage Package
- Multimedia Package w/ Navigation, Live Traffic, and Augmented Reality
- Dual-Zone Automatic Climate Control
- Intermittent Wipers with Rain Sensor
- Front and Rear Cupholders
- Power Liftgate
- Adaptive Highbeam Assist
- 64-Color Ambient Lighting & AMG Illuminated Door Sills
- HANDS-FREE ACCESS
- Burmester® Surround Sound System
- 12.3" Digital Instrument Cluster
- SiriusXM Satellite Radio
- Smartphone Integration (Apple CarPlay and Android Auto)
- Power Heated Front Seats with Memory Function
- Power Tilt & Telescoping Steering Column
- Power Windows with Express Up and Down
- Heat and Noise Insulating Front-Side Dual-Pane Glass
- AMG Performance Steering Wheel w/ Shift Paddles
- Garage Door Opener
- Auto-Dimming Driver & Rearview Mirror
- Split-Folding Rear Seats (40/20/40)
- LED headlamps and taillights
- 115V AC Power Outlet

*Safety & Security*

- New Vehicle 4 Year/50,000 Mile Warranty
- 3-point Seat Belt with Pretensioners & Dual-Stage Belt Force Limiter
- Front and Rear Side Window Airbags
- Driver Kneebag
- PARKTRONIC w/ Active Parking Assist
- ATTENTION ASSIST Driver Drowsiness Monitor
- PRE-SAFE®
- Tire Pressure Monitoring System
- Blind Spot Assist
- 24h Roadside Assistance Program
- Front Dual-Stage Airbags
- Front Side Airbags
- Surround View Camera
- ISOFIX Anchor and Tether System
- Active Brake Assist
- SmartKey with Panic Button
- Anti-theft Alarm System

*Performance & Handling*

- Handcrafted AMG 4.0L V8 Biturbo (503 hp, 516 lb-ft torque)
- AMG SPEEDSHIFT® MCT 9-Speed Transmission
- AMG Performance 4MATIC+ (fully variable torque distribution)
- AMG DYNAMIC SELECT (incl. RACE mode)
- AMG Performance Exhaust System
- AMG Sport Suspension based on AIR BODY CONTROL
- Electronic limited-slip differential
- AMG High Performance Composite Braking System
- 3-Stage ESP
- AMG Dynamic Engine Mounts

*Comfort & Convenience*

- KEYLESS START & KEYLESS GO
- Power Folding Mirrors
- Bluetooth® Technology (for Handsfree Phone Use/Audio Streaming)
- SiriusXM Satellite Radio
- Smartphone Integration (Apple CarPlay and Android Auto)
- 4-way Lumbar Support
- Electronic Cruise Control
- Storage Package
- 10.25" Center Touchscreen Display w/ Touchpad
- Multimedia Package w/ Navigation, Live Traffic, and Augmented Reality
- AMG Performance Steering Wheel w/ Shift Paddles
- Dual-Zone Automatic Climate Control
- Intermittent Wipers with Rain Sensor
- Front and Rear Cupholders
- Power Liftgate
- 115V AC Power Outlet
- 64-Color Ambient Lighting & AMG Illuminated Door Sills
- HANDS-FREE ACCESS
- Burmester® Surround Sound System
- USB-C Adapter Cable
- HD Radio
- Power Heated Front Seats with Memory Function
- Power Tilt & Telescoping Steering Column
- Power Windows with Express Up and Down
- Heat and Noise Insulating Front-Side Dual-Pane Glass
- 12.3" Digital Instrument Cluster
- AMG Track Pace
- AMG DRIVE UNIT
- Garage Door Opener
- Auto-Dimming Driver & Rearview Mirror
- Split-Folding Rear Seats (40/20/40)
- LED headlamps and taillights
- Adaptive Highbeam Assist

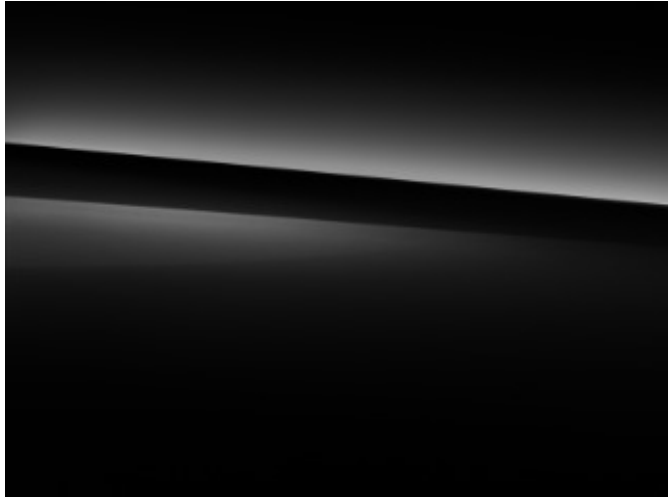
*Safety & Security*

- New Vehicle 4 Year/50,000 Mile Warranty
- 3-point Seat Belt with Pretensioners & Dual-Stage Belt Force Limiter
- Front and Rear Side Window Airbags
- Driver Kneebag
- PARKTRONIC w/ Active Parking Assist
- ATTENTION ASSIST Driver Drowsiness Monitor
- PRE-SAFE®
- Tire Pressure Monitoring System
- Blind Spot Assist
- 24h Roadside Assistance Program
- Front Dual-Stage Airbags
- Front Side Airbags
- Surround View Camera
- ISOFIX Anchor and Tether System
- Active Brake Assist
- SmartKey with Panic Button
- Anti-theft Alarm System

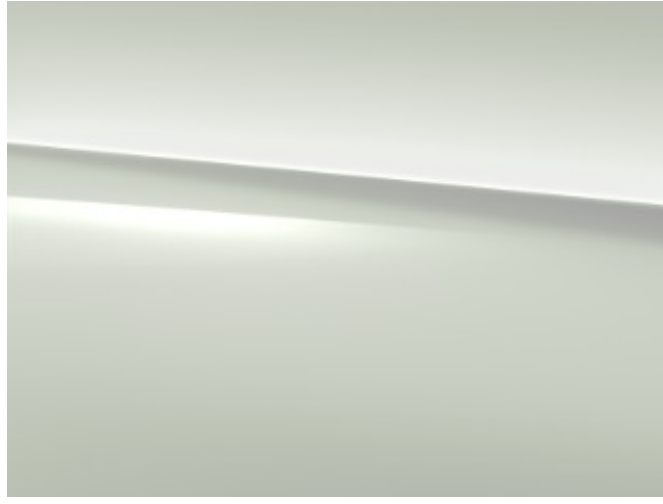


# Paint

## Non-Metallic Paints

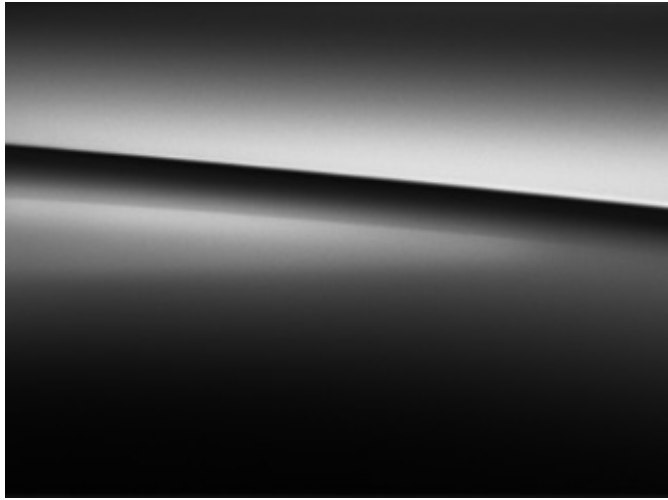


**040 - Black**

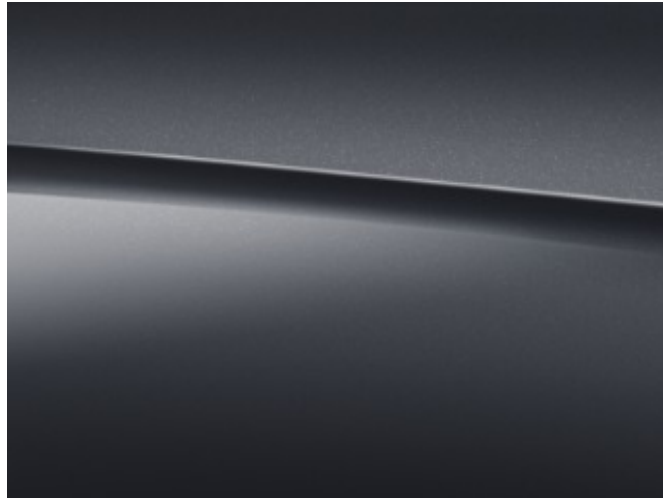


**149 - Polar White**

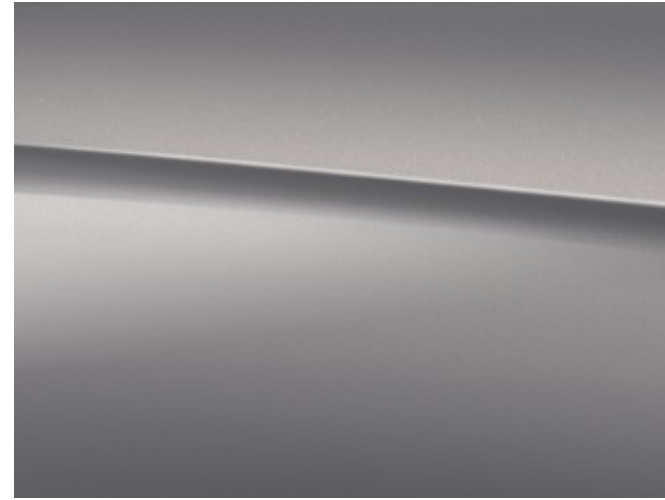
## Metallic Paints



**197 - Obsidian Black**



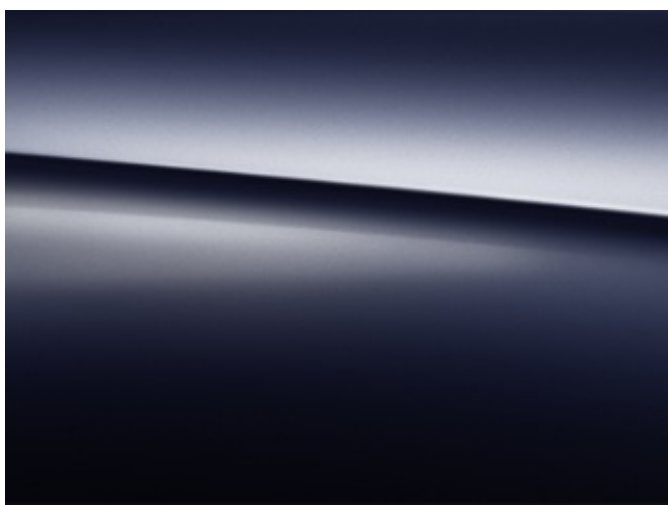
**831 - Graphite Grey**



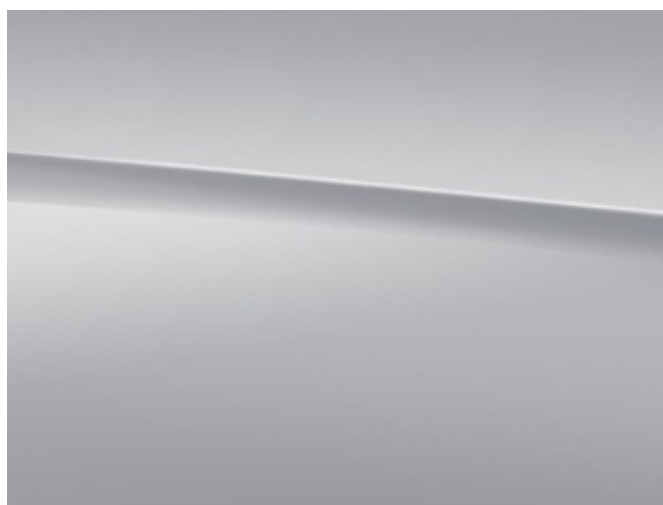
**859 - Mojave Silver**



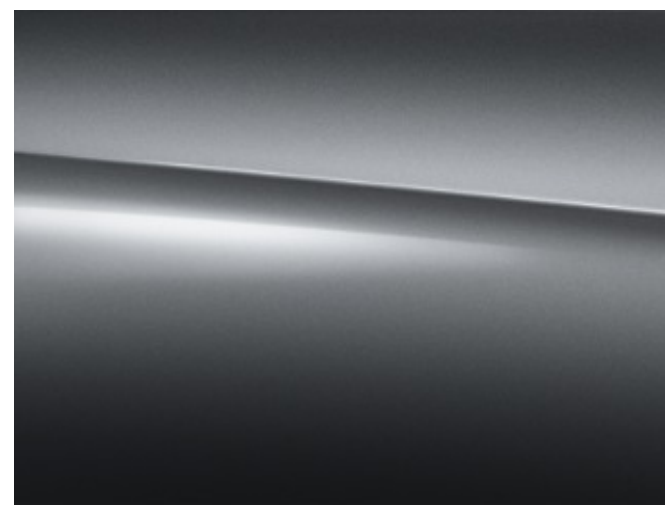
**970 - Starling Blue**



**890 - Lunar Blue**

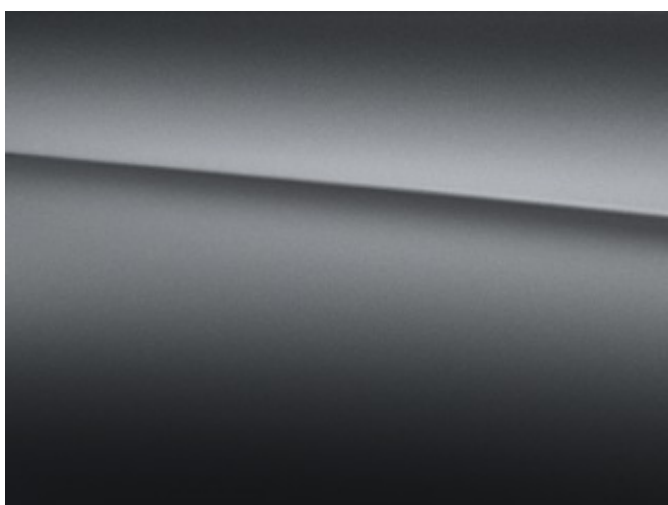


**922 - Cirrus Silver**

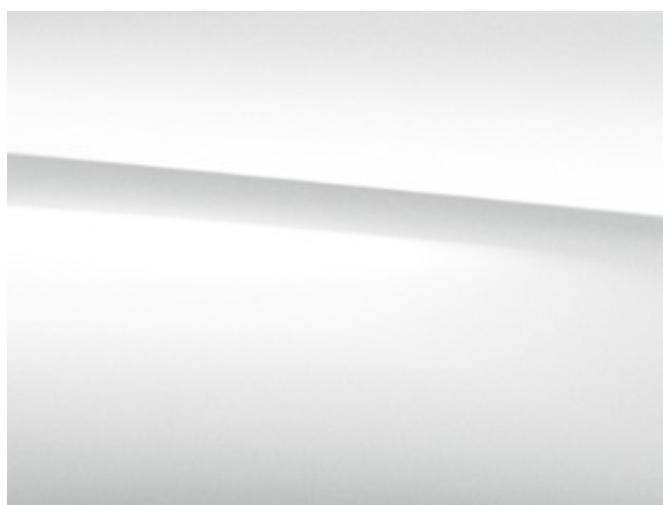


**992 - Selenite Grey**

## MANUFAKTUR Paints



**297 - Selenite Grey Magno**



**799 - Diamond White Metallic**



**996 - Cardinal Red Metallic**

| <i>Code</i> | <i>Description</i>     | <i>Availability</i> | <i>Price</i> |
|-------------|------------------------|---------------------|--------------|
| 040         | Black                  | All Models          | \$0          |
| 149         | Polar White            | All Models          | \$0          |
| 197         | Obsidian Black         | All Models          | \$750        |
| 831         | Graphite Grey          | All Models          | \$750        |
| 859         | Mojave Silver          | All Models          | \$750        |
| 970         | Starling Blue          | All Models          | \$750        |
| 890         | Lunar Blue             | All Models          | \$750        |
| 922         | Cirrus Silver          | All Models          | \$750        |
| 992         | Selenite Grey          | All Models          | \$750        |
| 297         | Selenite Grey Magno    | All Models          | \$2,020      |
| 799         | Diamond White Metallic | All Models          | \$1,515      |
| 996         | Cardinal Red Metallic  | All Models          | \$1,080      |

# Wheels



**RZX - 20" AMG Y 5-Spoke**

Standard on GLC43  
20"

R02, R66

255/45 R20 on 8.5 J x 20 ET40 (Front) 285/40 R20 on 9.5 J x 20 ET22 (Rear)

**RZY - 20" AMG Y 5-Spoke w/ Black Accents**

20"

R02, R66

255/45 R20 on 8.5 J x 20 ET40 (Front) 285/40 R20 on 9.5 J x 20 ET22 (Rear)

**RWM - 21" AMG Split 10-Spoke**

21"

R01, B51

255/40 R21 on 8.5 J x 21 ET40 (Front) 285/35 R21 on 9.5 J x 21 ET22 (Rear)

**RWN - 21" AMG Split 10-Spoke, Black**

21"

R01, B51

255/40 R21 on 8.5 J x 21 ET40 (Front) 285/35 R21 on 9.5 J x 21 ET22 (Rear)



**RZS - 20" AMG Twin 5-Spoke**

Standard on GLC63  
20"

R01, B51

265/45 R20 on 9.5 J x 20 ET30 (Front) 295/40 R20 on 10 J x 20 ET28 (Rear)

**RZT - 20" AMG Twin 5-spoke w/ Black Accents**

20"

R01, B51

265/45 R20 on 9.5 J x 20 ET30 (Front) 295/40 R20 on 10 J x 20 ET28 (Rear)

**RWK - 21" AMG Multispoke**

21"

R01, B51

265/40 R21 on 9.5 J x 21 ET30 (Front) 295/35 R21 on 10 J x 21 ET28 (Rear)

**RWL - 21" AMG Multispoke, Black**

21"

R01, B51

265/40 R21 on 9.5 J x 21 ET30 (Front) 295/35 R21 on 10 J x 21 ET28 (Rear)



**RWE - 21" AMG Forged Cross-Spoke, Black**

21"

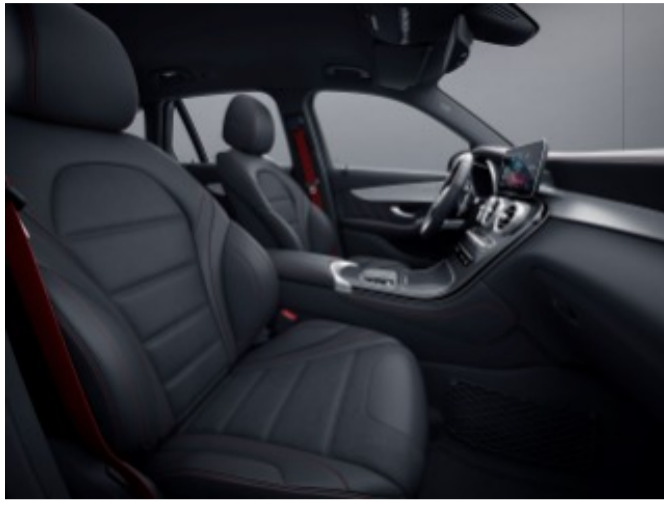
R01, B51

265/40 R21 on 9.5 J x 21 ET30 (Front) 295/35 R21 on 10 J x 21 ET28 (Rear)

| Code | Wheel Size | Description       | Wheel Dimensions   | Mobility | Availability   | MSRP    |
|------|------------|-------------------|--|----------|----------------|---------|
| RZX  | 20"        | Standard on GLC43 | 255/45 R20 on 8.5 J x 20 ET40 (Front) 285/40 R20 on 9.5 J x 20 ET22 (Rear) | R02, R66 | GLC43          | \$0     |
| RZY  | 20"        |                   | 255/45 R20 on 8.5 J x 20 ET40 (Front) 285/40 R20 on 9.5 J x 20 ET22 (Rear) | R02, R66 | GLC43          | \$200   |
| RWM  | 21"        |                   | 255/40 R21 on 8.5 J x 21 ET40 (Front) 285/35 R21 on 9.5 J x 21 ET22 (Rear) | R01, B51 | GLC43          | \$1,100 |
| RWN  | 21"        |                   | 255/40 R21 on 8.5 J x 21 ET40 (Front) 285/35 R21 on 9.5 J x 21 ET22 (Rear) | R01, B51 | GLC43          | \$1,600 |
| RZS  | 20"        | Standard on GLC63 | 265/45 R20 on 9.5 J x 20 ET30 (Front) 295/40 R20 on 10 J x 20 ET28 (Rear)  | R01, B51 | GLC63, GLC63 S | \$0     |
| RZT  | 20"        |                   | 265/45 R20 on 9.5 J x 20 ET30 (Front) 295/40 R20 on 10 J x 20 ET28 (Rear)  | R01, B51 | GLC63, GLC63 S | \$200   |
| RWK  | 21"        |                   | 265/40 R21 on 9.5 J x 21 ET30 (Front) 295/35 R21 on 10 J x 21 ET28 (Rear)  | R01, B51 | GLC63, GLC63 S | \$1,100 |
| RWL  | 21"        |                   | 265/40 R21 on 9.5 J x 21 ET30 (Front) 295/35 R21 on 10 J x 21 ET28 (Rear)  | R01, B51 | GLC63, GLC63 S | \$1,600 |
| RWE  | 21"        |                   | 265/40 R21 on 9.5 J x 21 ET30 (Front) 295/35 R21 on 10 J x 21 ET28 (Rear)  | R01, B51 | GLC63 S        | \$2,850 |

# Upholstery

## MB Tex



**641 - Black MB-Tex w/ DINAMICA and Red Stitching**

Not available with 401 Ventilated Seats.



**611 - Black MB-Tex w / DINAMICA**

Not available with 401 Ventilated Seats.

## Leather



**241 - Black Leather w/ Red Stitching**

Seats in picture are not available. Refer to 261 for seat design.



**261 - Black Leather**



**264 - Saddle Brown/Black Leather**

Not available with 401 Ventilated Seats



**297 - Cranberry Red/Black Leather**

Not available with 401 Ventilated Seats

## Nappa Leather



**801 - Black Nappa**



**851 - Platinum White Pearl/Black Nappa**

Seats in picture are only available as an option on GLC63 S



**857 - Red Pepper/Black Nappa**

Seats in picture are only available as an option on GLC63 S



**858 - Magma Grey/Black w/ Yellow Accents**

Seats in picture are only available as an option on GLC63 S



**811 - Black w/ Grey Accents**

| <i>Code</i> | <i>Description</i>  | <i>Availability</i> | <i>Price</i>                     |
|-------------|---|---------------------|----------------------------------|
| 641         | Black MB-Tex w/ DINAMICA and Red Stitching<br>Not available with 401 Ventilated Seats.              | GLC43               | \$0                              |
| 611         | Black MB-Tex w / DINAMICA<br>Not available with 401 Ventilated Seats.                               | GLC63               | \$0                              |
| 241         | Black Leather w/ Red Stitching<br>Seats in picture are not available. Refer to 261 for seat design. | GLC43               | \$1,620                          |
| 261         | Black Leather   | GLC43               | \$1,620                          |
| 264         | Saddle Brown/Black Leather<br>Not available with 401 Ventilated Seats                               | GLC43               | \$1,620                          |
| 297         | Cranberry Red/Black Leather<br>Not available with 401 Ventilated Seats                              | GLC43               | \$1,620                          |
| 801         | Black Nappa   | GLC63,<br>GLC63 S   | \$2,590 (GLC63)<br>\$0 (GLC63 S) |
| 851         | Platinum White Pearl/Black Nappa<br>Seats in picture are only available as an option on GLC63 S     | GLC63,<br>GLC63 S   | \$2,590 (GLC63)<br>\$0 (GLC63 S) |
| 857         | Red Pepper/Black Nappa<br>Seats in picture are only available as an option on GLC63 S               | GLC63,<br>GLC63 S   | \$2,590 (GLC63)<br>\$0 (GLC63 S) |
| 858         | Magma Grey/Black w/ Yellow Accents<br>Seats in picture are only available as an option on GLC63 S   | GLC63,<br>GLC63 S   | \$2,590 (GLC63)<br>\$0 (GLC63 S) |
| 811         | Black w/ Grey Accents   | GLC63 S             | \$0                              |

| <i>Code</i> | <i>Upholstery</i>   | <i>Seats</i>               | <i>Floor Mats</i> | <i>Upper Dash/Lower Dash</i> | <i>Seat Belts</i> | <i>Steering Wheel</i> | <i>Headliner</i> |
|-------------|---|----------------------------|-------------------|------------------------------|-------------------|-----------------------|------------------|
| 641         | Black MB-Tex w/ DINAMICA and Red Stitching<br>Not available with 401 Ventilated Seats.              | Black                      | Black             | Black                        | Red               | Black                 | Black            |
| 611         | Black MB-Tex w / DINAMICA<br>Not available with 401 Ventilated Seats.                               | Black                      | Black             | Black                        | Black             | Black                 | Black            |
| 241         | Black Leather w/ Red Stitching<br>Seats in picture are not available. Refer to 261 for seat design. | Black                      | Black             | Black                        | Red               | Black                 | Black            |
| 261         | Black Leather   | Black                      | Black             | Black                        | Black             | Black                 | Black            |
| 264         | Saddle Brown/Black Leather<br>Not available with 401 Ventilated Seats                               | Saddle Brown               | Black             | Black/Saddle Brown           | Black             | Black                 | Black            |
| 297         | Cranberry Red/Black Leather<br>Not available with 401 Ventilated Seats                              | Cranberry Red              | Black             | Black                        | Black             | Black                 | Black            |
| 801         | Black Nappa   | Black                      | Black             | Black                        | Black             | Black                 | Black            |
| 851         | Platinum White Pearl/Black Nappa<br>Seats in picture are only available as an option on GLC63 S     | Platinum White Pearl/Black | Black             | Black                        | Black             | Black                 | Black            |
| 857         | Red Pepper/Black Nappa<br>Seats in picture are only available as an option on GLC63 S               | Red Pepper/Black           | Black             | Black                        | Black             | Black                 | Black            |
| 858         | Magma Grey/Black w/ Yellow Accents<br>Seats in picture are only available as an option on GLC63 S   | Magma Grey/Black           | Black             | Black                        | Black             | Black                 | Black            |
| 811         | Black w/ Grey Accents   | Black                      | Black             | Black                        | Silver            | Black                 | Black            |

# Trims



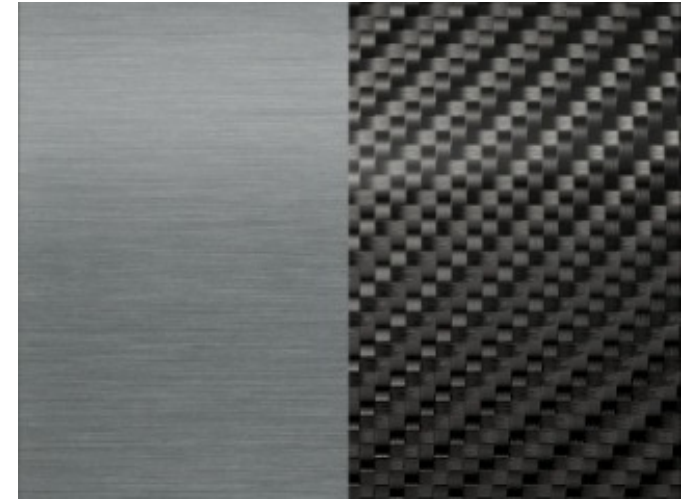
**H07 - Dark Brown Linden Wood**



**H31 - Natural Grain Grey Oak**



**737 + 739 - Natural Grain Black Ash Wood & Aluminum Trim**



**H73 - AMG Carbon Fiber**  
Door trim in Aluminum



**H33 - Natural Grain Walnut Wood**

| <i>Code</i> | <i>Description</i>                           | <i>Availability</i> | <i>Price</i> |
|-------------|--|---------------------|--------------|
| H07         | Dark Brown Linden Wood                       | All Models          | \$0          |
| H31         | Natural Grain Grey Oak                       | All Models          | \$0          |
| 737 + 739   | Natural Grain Black Ash Wood & Aluminum Trim | All Models          | \$0          |
| H73         | AMG Carbon Fiber<br>Door trim in Aluminum    | All Models          | \$975        |
| H33         | Natural Grain Walnut Wood                    | All Models          | \$0          |

# Packages

| <i>Code</i> | <i>Packages</i>   | <i>Availability</i> | <i>MSRP</i> |
|-------------|---|---------------------|-------------|
| DA2         | <p>Driver Assistance Package</p> <p>GLC43: Requires Multimedia Package (DA5)</p> <ul style="list-style-type: none"> <li>▪ DISTRONIC PLUS with Steering Assist and Stop &amp; Go Pilot</li> <li>▪ Active Blind Spot Assist</li> <li>▪ PRE-SAFE® PLUS</li> <li>▪ Active Emergency Stop Assist</li> <li>▪ Active Speed Limit Assist</li> <li>▪ BAS PLUS with Cross-Traffic Assist</li> <li>▪ PRE-SAFE® Brake with Pedestrian Recognition</li> <li>▪ Active Lane Change Assist</li> <li>▪ Active Lane Keeping Assist</li> <li>▪ Driver Assistance Package Plus</li> <li>▪ Route-Based Speed Adaptation</li> </ul> | All Models          | \$1,700     |
| DA5         | <p>Multimedia Package</p> <p>Standard on GLC63/S</p> <ul style="list-style-type: none"> <li>▪ Augmented Video for Navigation</li> <li>▪ MBUX Premium Multimedia System</li> <li>▪ Speed Limit Assist</li> <li>▪ Navigation Services</li> <li>▪ MB Hard-Disc Navigation with Live Traffic</li> <li>▪ Live Traffic</li> </ul>   | GLC43               | \$1,295     |
| DC2         | <p>AMG Performance Studio Package</p> <p>Not with P60 AMG Night Package stand-alone option (already included); Also not available with 550 Class II Trailer Hitch</p> <ul style="list-style-type: none"> <li>▪ AMG Night Package components</li> <li>▪ AMG Optics Package including high-gloss black for the following: front splitter in the front apron, diffuser board on rear apron, and spoiler lip</li> </ul>   | GLC43               | \$1,950     |
| DC1         | <p>AMG Night Package</p> <p>GLC43: Not with DC2 AMG Performance Studio Package (already included).</p> <ul style="list-style-type: none"> <li>▪ GLC63/S: Gloss black elements include A-Wing and front splitter trim, side sill inserts, rear diffuser trim, exterior mirror housings, window trim; roof rails in black; exhaust tailpipes in black chrome</li> <li>▪ GLC43: Gloss black elements include front splitter trim, rear diffuser trim, roof rails, window trim, and exterior mirror housings; exhaust tailpipes in black chrome</li> </ul>  | All Models          | \$750       |
| DC4         | <p>Exterior Carbon Fiber Package</p> <ul style="list-style-type: none"> <li>▪ AMG Exterior Mirror Housings</li> </ul>   | GLC63,<br>GLC63 S   | \$1,200     |
| DE5         | <p>AMG Performance Seat Package Advanced</p> <ul style="list-style-type: none"> <li>▪ 555 - AMG Performance Seats</li> <li>▪ PBZ - AMG Performance Seats PLUS</li> </ul>  | GLC63 S             | \$0         |

# Options

## Factory Options

| <i>Code</i> | <i>Options</i>   | <i>Availability</i> | <i>MSRP</i>                           |
|-------------|--|---------------------|---------------------------------------|
| L6J         | AMG Performance Steering Wheel in Nappa  | All Models          | \$0                                   |
| L6K         | AMG Performance Steering Wheel in Nappa/DINAMICA   | All Models          | \$500 (GLC43, GLC63)<br>\$0 (GLC63 S) |
| P47         | Surround View Camera<br>Standard on GLC63/S  | GLC43               | \$600                                 |
| U17         | Black Seatbelts<br>Requires 641, 241, or 811 upholsteries since all other upholsteries already come with black belts standard                                      | GLC43,<br>GLC63 S   | \$0                                   |
| U78         | AMG Performance Exhaust System<br>Standard on GLC63/S  | GLC43               | \$1,250                               |
| U82         | 2 USB Ports in Rear<br>Replaces 115V outlet (U80)  | All Models          | \$50                                  |
| U88         | AMG DRIVE UNIT<br>Available on all steering wheels; Required with L6G; not available with 443; Standard on GLC63 S   | GLC43,<br>GLC63     | \$400                                 |
| 21U         | Dashcam<br>On GLC43, requires DA5 Multimedia Package   | All Models          | \$200                                 |
| 256         | AMG Track Pace<br>On GLC43, requires DA5 Multimedia Package  | All Models          | \$250 (GLC43, GLC63)<br>\$0 (GLC63 S) |
| 293         | Rear Side Air Bags   | All Models          | \$700                                 |
| 401         | Heated and Ventilated Front Seats<br>Not w/ upholsteries 641, 264 and 297 (GLC43) or 611 (GLC63)   | All Models          | \$450                                 |
| 413         | Panorama Roof<br>Steel Roof is standard without sunroof  | All Models          | \$1,500                               |
| 443         | Heated Steering Wheel<br>Not available with U88  | GLC43               | \$250                                 |
| 463         | Head-Up Display with AMG-specific Content  | All Models          | \$1,100                               |
| 550         | Class II Trailer Hitch<br>Not available with B26 AMG Aerodynamics Package or DC2 AMG Performance Studio Package  | All Models          | \$575                                 |
| 581         | 3-Zone Automatic Climate Control   | All Models          | \$760                                 |
| 640         | LED Intelligent Light System   | All Models          | \$650                                 |
| 690         | Emergency Spare Wheel<br>Removes lockable compartment on truck floor   | GLC43               | \$200                                 |
| 77B         | MBUX Interior Assistant  | All Models          | \$300                                 |
| 810         | Burmester Surround Sound System<br>Standard on GLC63/S   | GLC43               | \$850                                 |
| 846         | Brushed Aluminum Running Boards  | All Models          | \$650                                 |
| 851         | Heat & Noise Insulating Front-Side Dual-Pane Glass<br>Standard on GLC63/S  | GLC43               | \$150                                 |
| 872         | Heated Rear Seats  | All Models          | \$580                                 |
| 897         | Inductive Wireless Charging & NFC Pairing  | All Models          | \$200                                 |
| B26         | AMG Aerodynamics Package<br>Includes additional large front spoiler and larger rear diffuser w/ diffuser attachment. Not available with 550 Class II Trailer Hitch | GLC63,<br>GLC63 S   | \$1,400                               |
| L6G         | AMG Performance Steering Wheel in DINAMICA<br>Not available on GLC43. U88 required.  | GLC63,<br>GLC63 S   | \$600 (GLC63)<br>\$100 (GLC63 S)      |
| L6H         | AMG Performance Steering Wheel in DINAMICA/Carbon Fiber<br>Not available on GLC43. Only available with the following trims: 737, 739, H73.                         | GLC63,<br>GLC63 S   | \$900 (GLC63)<br>\$400 (GLC63 S)      |
| U97         | Spoiler Lip in High-Gloss Black<br>Not available on GLC43; Only in conjunction with DC1 AMG Night Package  | GLC63,<br>GLC63 S   | \$350                                 |

## VPC Installed Options

| <i>Code</i> | <i>Options</i>   | <i>Availability</i> | <i>MSRP</i> |
|-------------|--|---------------------|-------------|
| D03         | Illuminated Star<br>Not with Driver's Assistance Package (DA2) | All Models          | \$500       |
| D07         | Wheel Locking Bolts  | All Models          | \$150       |
| D08         | Chrome Door Handle Inserts (set of four)                       | All Models          | \$100       |
| D19         | Rear Chrome Trim   | All Models          | \$200       |
| D32         | AMG Logo Projectors  | All Models          | \$275       |
| D43         | All-Season Floor Mats, Black Rubber 4 Pack                     | All Models          | \$160       |



# Specifications

GLC43



## Chassis

### Drivetrain

|                     |                             |
|---------------------|-----------------------------|
| Transmission        | AMG SPEEDSHIFT® TCT 9-Speed |
| Transmission Speeds | 9                           |
| Drive Configuration | 4MATIC All-Wheel Drive      |

### Engine

|                           |                                     |
|---------------------------|-------------------------------------|
| Engine Configuration      | AMG-enhanced 3.0L V6 biturbo engine |
| Power (hp)                | 385 hp @ 5,500-6,100 rpm            |
| Torque (lb-ft)            | 384 lb-ft @ 2,500-5,000 rpm         |
| Fuel Requirement (Octane) | 91                                  |
| Compression               | 10.5:1                              |
| Fuel Tank Size (gallons)  | 17.4                                |
| Displacement (cc)         | 2,996                               |
| # Valves per Cylinder     | 4                                   |

### Performance

|                 |                              |
|-----------------|------------------------------|
| Acceleration    | 0-60 mph 4.7 sec             |
| Top Speed (mph) | 130 (lim.), 155 w/ R01 tires |

### Fuel Economy

|              |          |
|--------------|----------|
| Fuel Economy | 17/24/20 |
|--------------|----------|

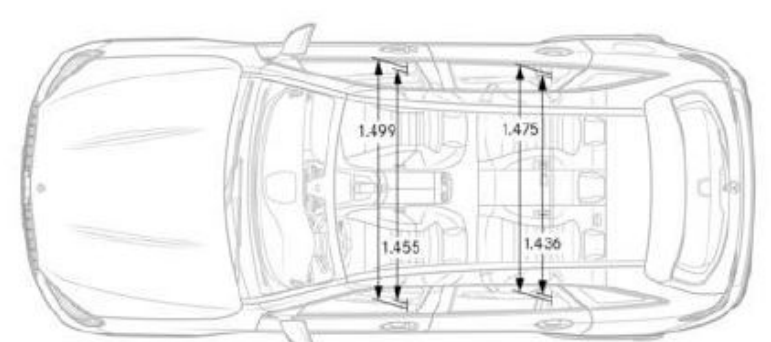
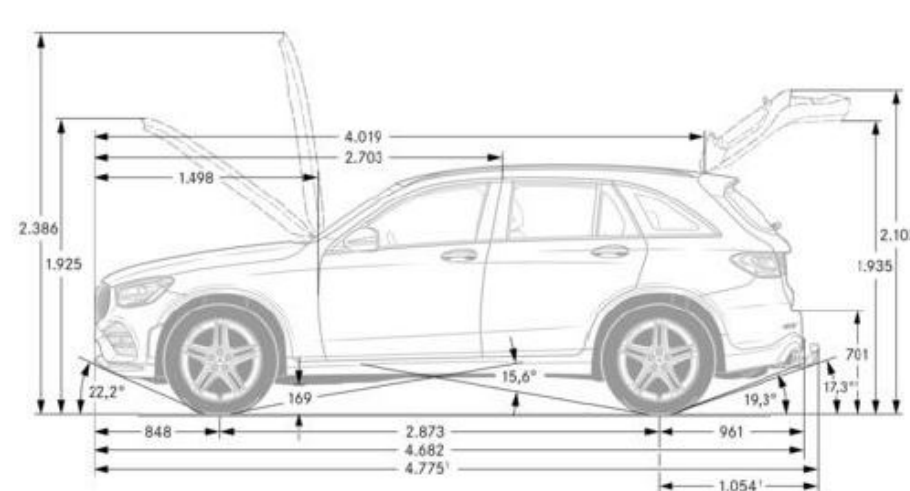
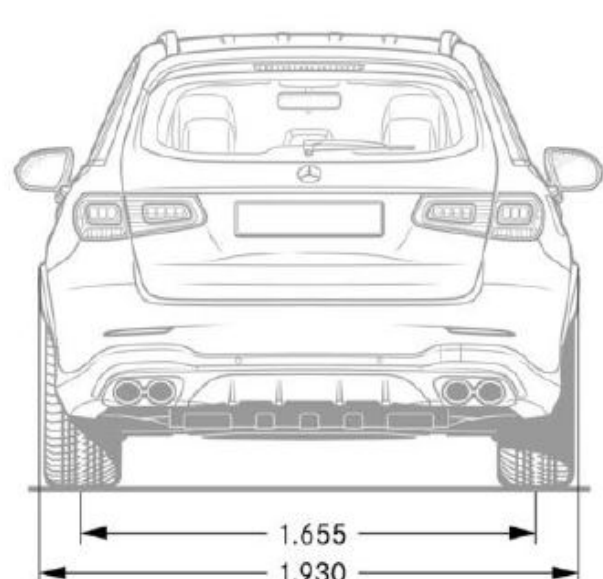
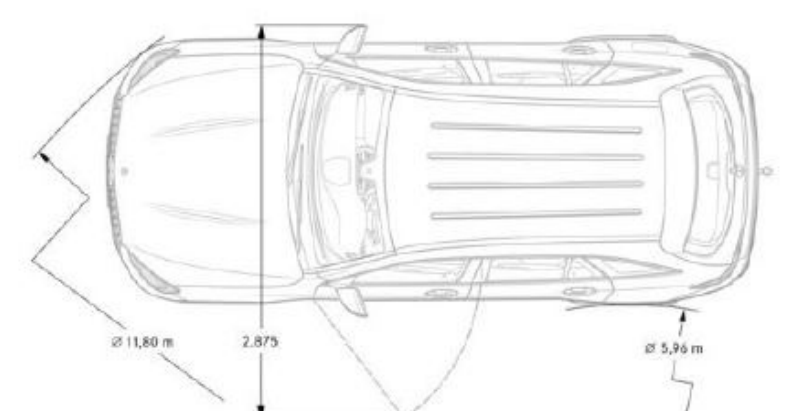
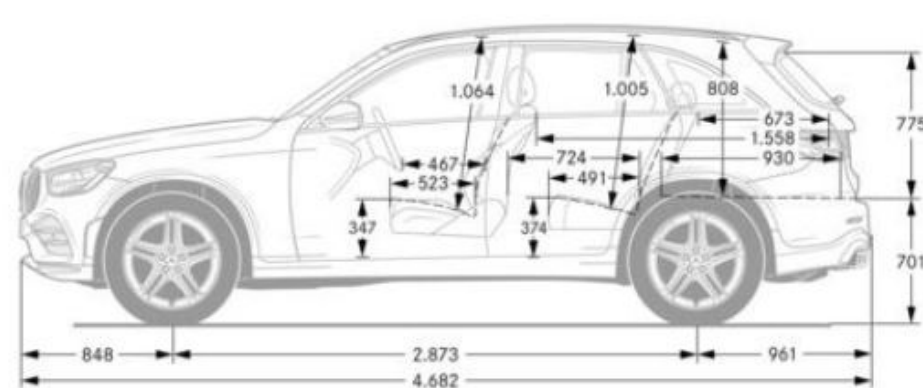
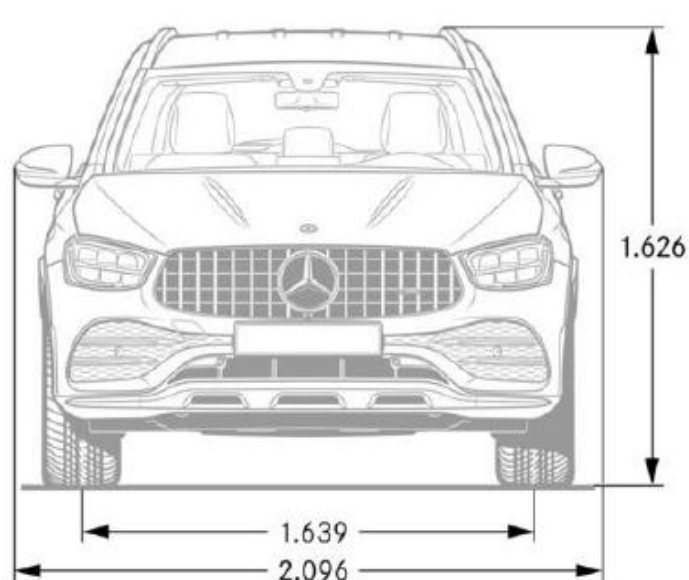
### Exterior Dimensions

|                            |              |
|----------------------------|--------------|
| Vehicle Length             | 183.5 in     |
| Vehicle Width with Mirrors | 82.5 in      |
| Vehicle Height             | 64.5 in      |
| Wheelbase                  | 113.1 in     |
| Track Width Front/Rear     | 64.4/65.0 in |
| Curb Weight                | 4,180 lbs    |

### Wheels and Tires

### Interior Dimensions

|   |       |
|---|-------|
| Luggage Capacity Behind Rear Seats (cubic feet) | 24.26 |
|---|-------|



*Chassis*

*Drivetrain*

|                            |                                  |
|----------------------------|----------------------------------|
| <b>Transmission</b>        | AMG SPEEDSHIFT® MCT 9-Speed      |
| <b>Transmission Speeds</b> | 9                                |
| <b>Drive Configuration</b> | 4MATIC+ Variable All-Wheel Drive |

*Engine*

|                                  |  |
|----------------------------------|--|
| <b>Engine Configuration</b>      | Handcrafted AMG 4.0L V8 biturbo engine |
| <b>Power (hp)</b>                | 469 hp @ 5,500-6,250 rpm               |
| <b>Torque (lb-ft)</b>            | 479 lb-ft @ 1,750-4,500 rpm            |
| <b>Fuel Requirement (Octane)</b> | 91                                     |
| <b>Compression</b>               | 10.5:1                                 |
| <b>Fuel Tank Size (gallons)</b>  | 17.4                                   |
| <b>Displacement (cc)</b>         | 3,982                                  |
| <b># Valves per Cylinder</b>     | 4                                      |

*Performance*

|                        |                  |
|------------------------|------------------|
| <b>Acceleration</b>    | 0-60 mph 3.8 sec |
| <b>Top Speed (mph)</b> | 155 (lim.)       |

*Fuel Economy*

|                     |          |
|---------------------|----------|
| <b>Fuel Economy</b> | 15/22/17 |
|---------------------|----------|

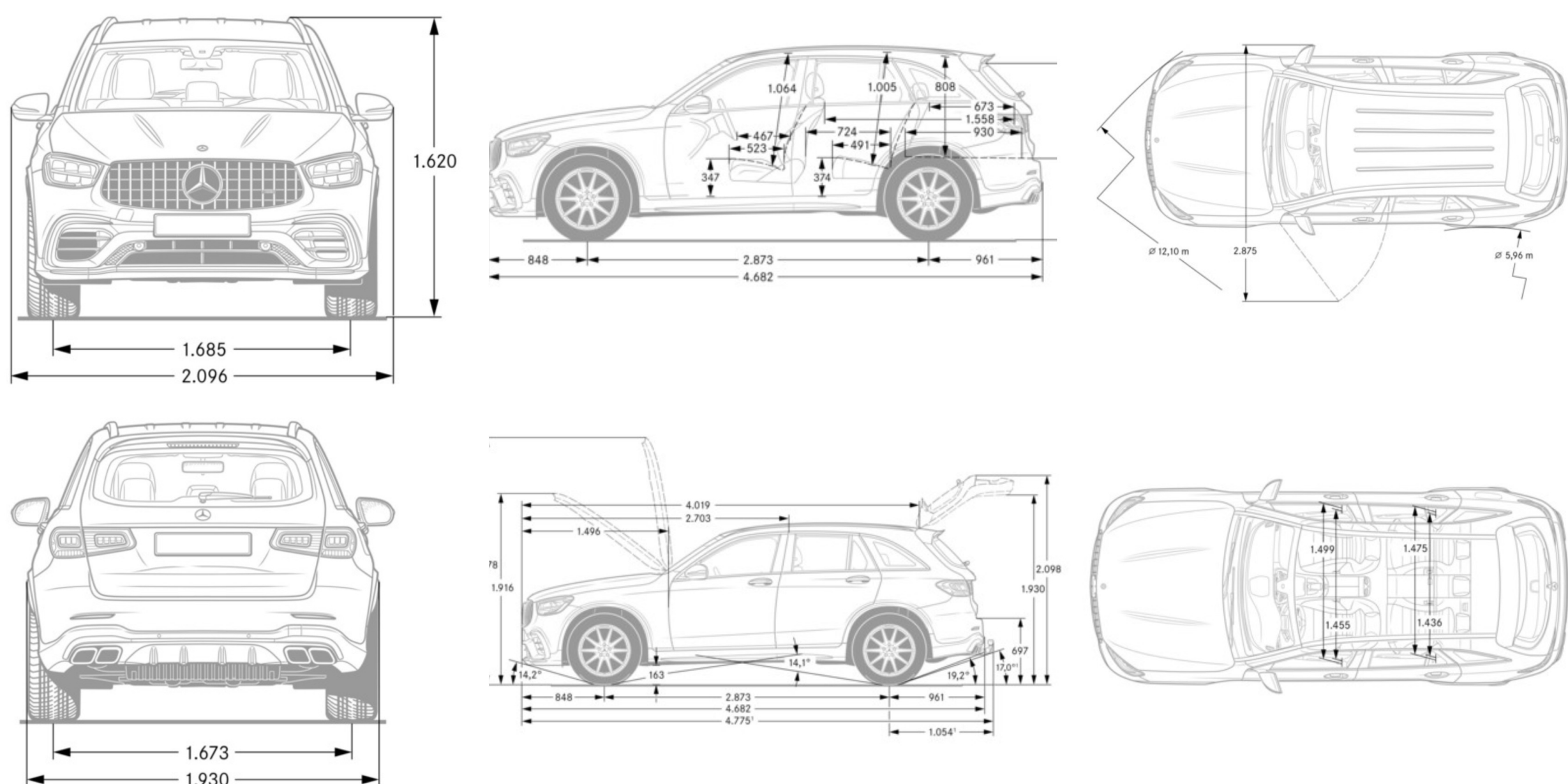
*Exterior Dimensions*

|                                   |              |
|-----------------------------------|--------------|
| <b>Vehicle Length</b>             | 184.3 in     |
| <b>Vehicle Width with Mirrors</b> | 82.5 in      |
| <b>Vehicle Height</b>             | 64 in        |
| <b>Wheelbase</b>                  | 113.1 in     |
| <b>Track Width Front/Rear</b>     | 65.5/65.1 in |
| <b>Curb Weight</b>                | 4,546 lbs    |

*Wheels and Tires*

*Interior Dimensions*

|  |       |
|--|-------|
| <b>Luggage Capacity Behind Rear Seats (cubic feet)</b> | 24.26 |
|--|-------|



*Chassis*

*Drivetrain*

|                            |                                  |
|----------------------------|----------------------------------|
| <b>Transmission</b>        | AMG SPEEDSHIFT® MCT 9-Speed      |
| <b>Transmission Speeds</b> | 9                                |
| <b>Drive Configuration</b> | 4MATIC+ Variable All-Wheel Drive |

*Engine*

|                                  |  |
|----------------------------------|--|
| <b>Engine Configuration</b>      | Handcrafted AMG 4.0L V8 biturbo engine |
| <b>Power (hp)</b>                | 503 hp @ 5,500-6,250 rpm               |
| <b>Torque (lb-ft)</b>            | 516 lb-ft @ 2,000-4,500 rpm            |
| <b>Fuel Requirement (Octane)</b> | 91                                     |
| <b>Compression</b>               | 10.5:1                                 |
| <b>Fuel Tank Size (gallons)</b>  | 17.4                                   |
| <b>Displacement (cc)</b>         | 3,982                                  |
| <b># Valves per Cylinder</b>     | 4                                      |

*Performance*

|                        |                  |
|------------------------|------------------|
| <b>Acceleration</b>    | 0-60 mph 3.6 sec |
| <b>Top Speed (mph)</b> | 174 (lim.)       |

*Fuel Economy*

|                     |     |
|---------------------|-----|
| <b>Fuel Economy</b> | TBD |
|---------------------|-----|

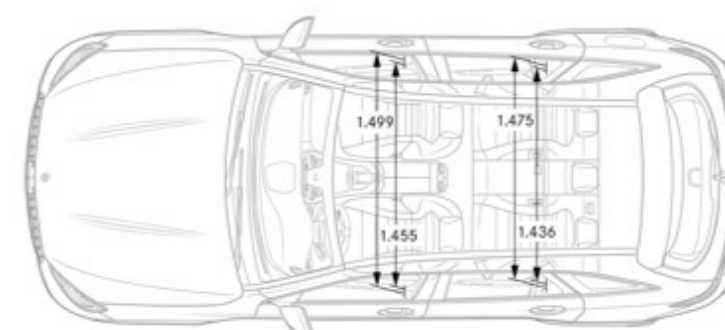
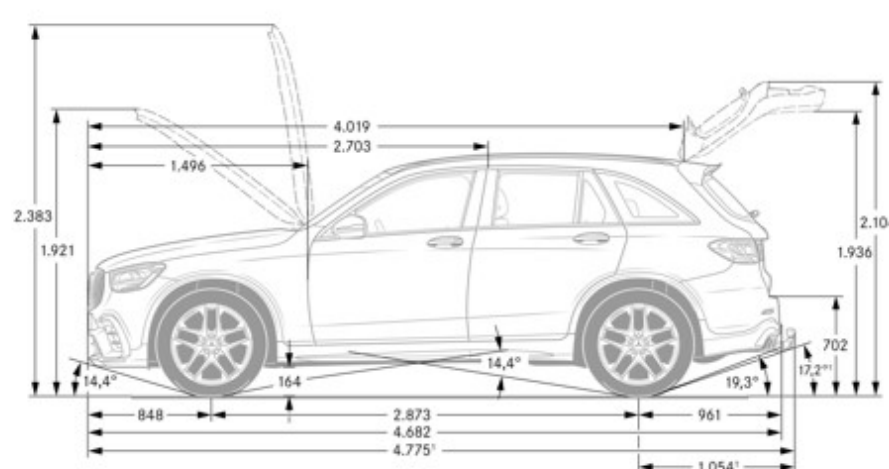
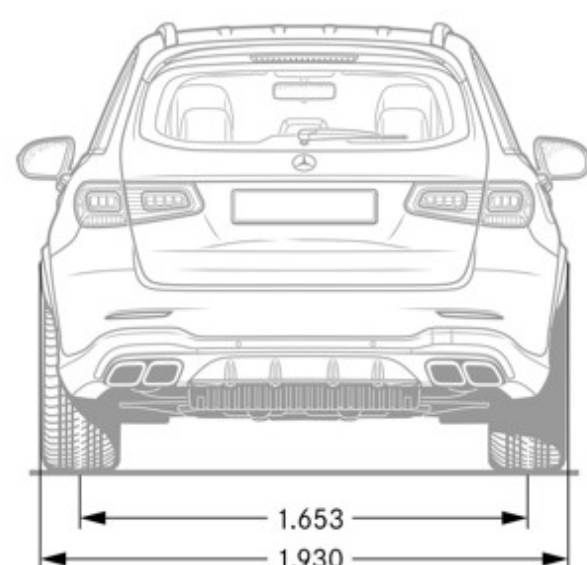
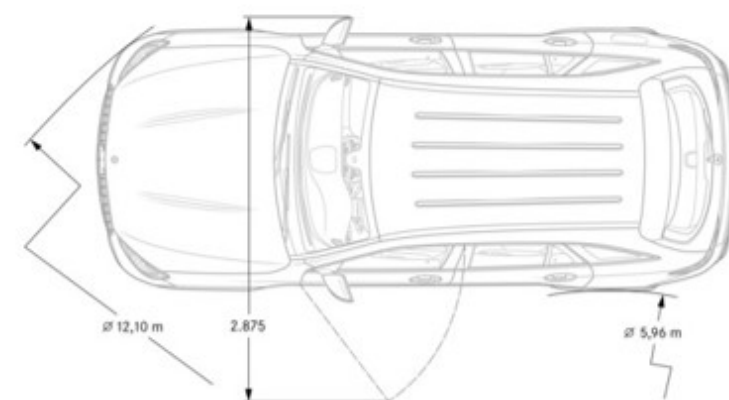
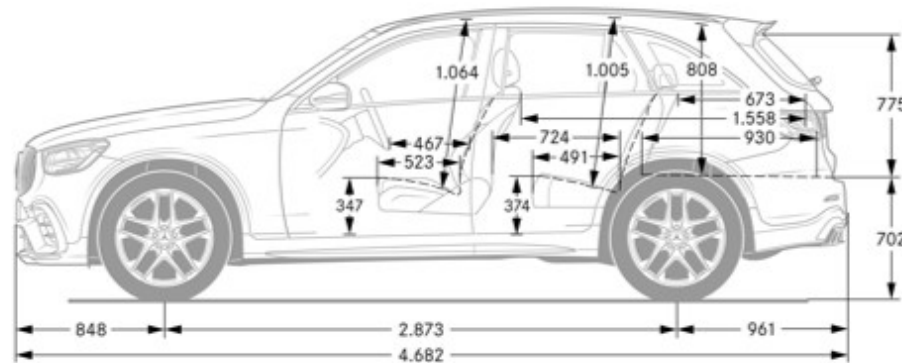
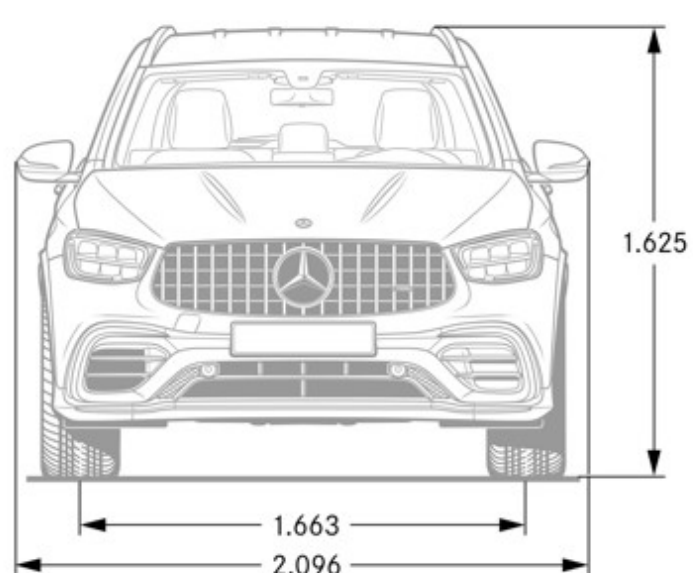
*Exterior Dimensions*

|                                   |              |
|-----------------------------------|--------------|
| <b>Vehicle Length</b>             | 184.3 in     |
| <b>Vehicle Width with Mirrors</b> | 82.5 in      |
| <b>Vehicle Height</b>             | 63.8 in      |
| <b>Wheelbase</b>                  | 113.1 in     |
| <b>Track Width Front/Rear</b>     | 65.5/65.1 in |
| <b>Curb Weight</b>                | 4,630 lbs    |

*Wheels and Tires*

*Interior Dimensions*

|  |       |
|--|-------|
| <b>Luggage Capacity Behind Rear Seats (cubic feet)</b> | 24.26 |
|--|-------|



## Options In Detail

### Steering Wheels

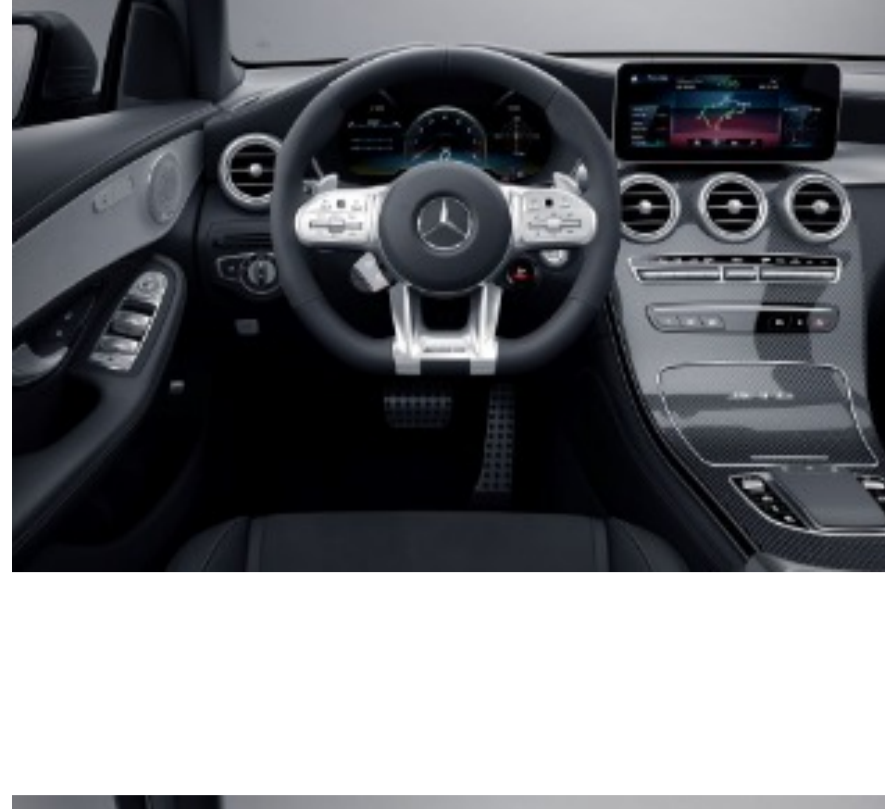


#### AMG Performance Steering Wheel in Nappa (L6J)

##### Standard

Option price: \$0 (GLC63 S)

For outstanding vehicle control, the AMG Performance steering wheel in Nappa leather features a flattened bottom section as well as perforated grip areas. The sporty design is completed by silver-colored aluminum shift paddles and a 12-o'clock marker.

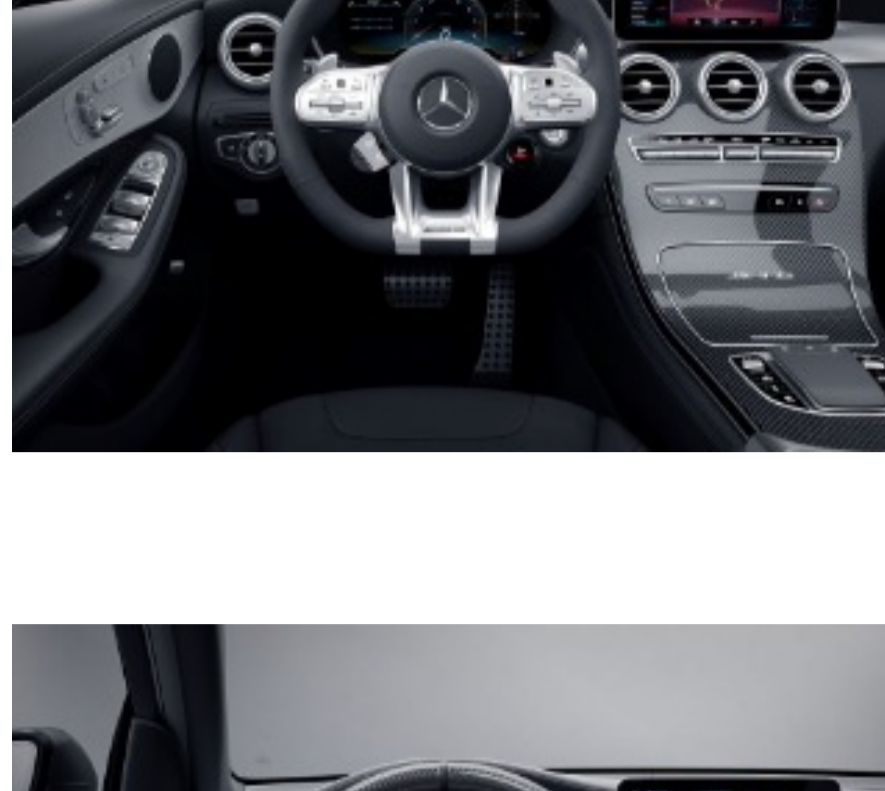


#### AMG Performance Steering Wheel in Nappa/DINAMICA (L6K)

##### Standard on GLC63 S

Option price: \$500 (GLC63)

For even better grip during sporty maneuvers, the grip area on the AMG Performance steering wheel in Nappa leather is finished in DINAMICA microfiber. The steering wheel bezel comes in silver chrome with "AMG" lettering, silver-colored aluminum shift paddles and a 12-o'clock marker to round off the design.

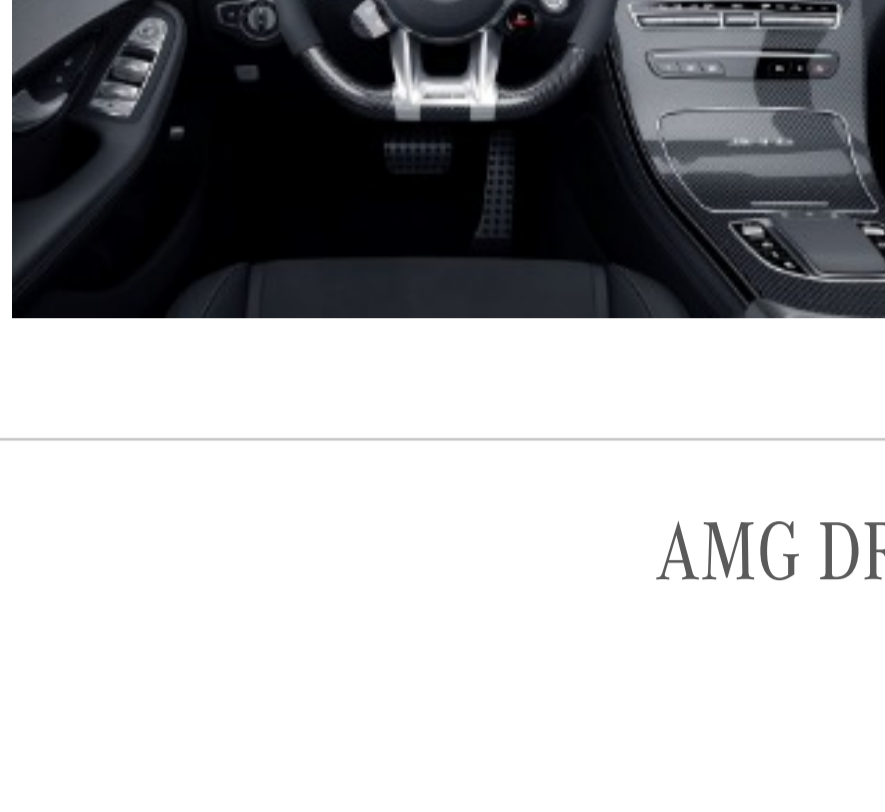


#### AMG Performance Steering Wheel in DINAMICA (L6G)

##### Option price: \$600 (GLC63) / \$100 (GLC63 S)

Not available on GLC43. Requires U88 AMG DRIVE UNIT.

This AMG steering wheel is completely finished in black non-slip DINAMICA microfiber for a perfect grip and precise steering.



#### AMG Performance Steering Wheel in DINAMICA/Carbon Fiber (L6H)

##### Option price: \$900 (GLC63) / \$400 (GLC63 S)

Not available on GLC43. Only available in combination with 737, 739, and H73 trims.

Striking carbon fiber is combined with black DINAMICA microfiber providing a good grip, and a visual and haptic highlight.

## AMG DRIVE UNIT

### U88

#### Standard on GLC63 S

With the AMG steering wheel buttons you can make your steering wheel radically sporty: they allow fast, purposeful control of specific dynamic driving functions. For a focused, concentrated and performance-oriented driving sensation – and an authentic racing car atmosphere in the cockpit.

The AMG Performance steering wheels with AMG steering wheel buttons are reminiscent of Formula 1 steering wheels in terms of their operation and characteristics, and for good reason: thanks to the ergonomic positioning of the additional steering wheel buttons in the immediate grip area, you can keep your hands on the steering wheel at all times – thanks to the intuitively understandable functionality, you can always keep an eye on the road. Ideal prerequisites for challenging driving situations which require your full attention.

The individual steering wheel buttons are implemented as modern, mini displays. Pictograms on the buttons visualize the AMG-specific function which can be accessed in each case.

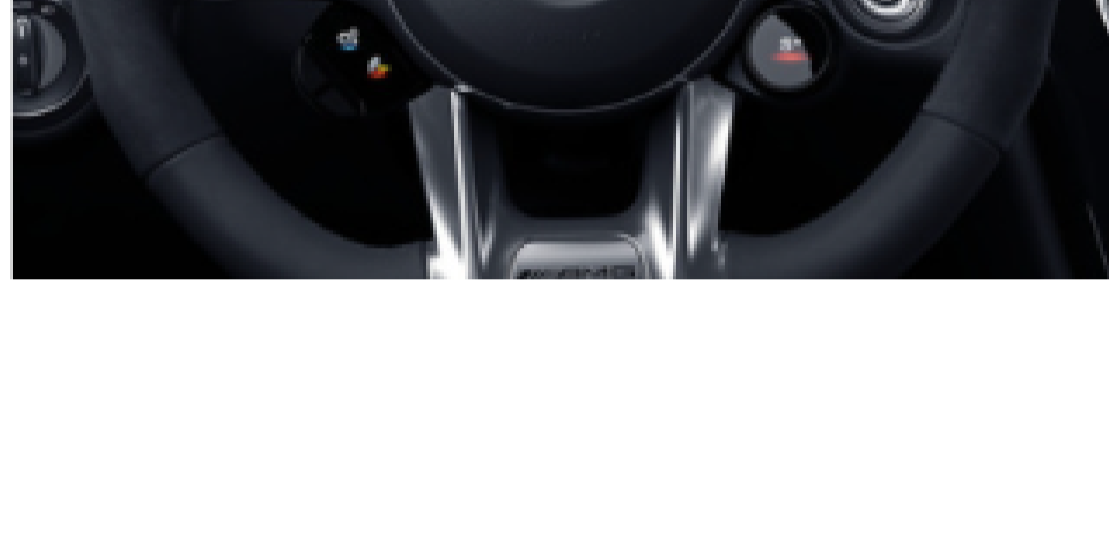
#### Components

■ Two vertically positioned function displays on the left with rocker switch. Can be freely assigned AMG functions, for example for:

- Direct selection of manual mode
- Adjustment of the adaptive suspension
- Activation/deactivation of the Electronic Stability Program (ESP®)
- Switching of AMG Performance Exhaust System

■ Function display on the right with round control knob:

- Selection of drive programs and display of currently selected mode



## AMG Track Pace

### 256

AMG Track Pace transforms your AMG vehicle into your virtual race engineer. With the aid of lap, sector and acceleration times plus selected live telemetrics data you can analyze and improve your driving skill on cordoned-off tracks in a targeted manner.

In order to determine as precise a position as possible, AMG Track Pace works with a specially programmed algorithm which combines vehicle data such as wheel speed, steering angle and yaw rate with the satellite-aided GPS positioning system and updates every 50 milliseconds (20 Hz technology). This makes position measurement significantly more precise than with external applications such as third-party-provider apps on the smartphone.

In order to record and continually improve your individual performance, recorded data such as lateral and longitudinal acceleration, accelerator and brake pedal position or steering angle are used. All values are clearly depicted and can be read out directly in the vehicle. Fast or slow laps can be noted from the corner of the eye thanks to various color displays.

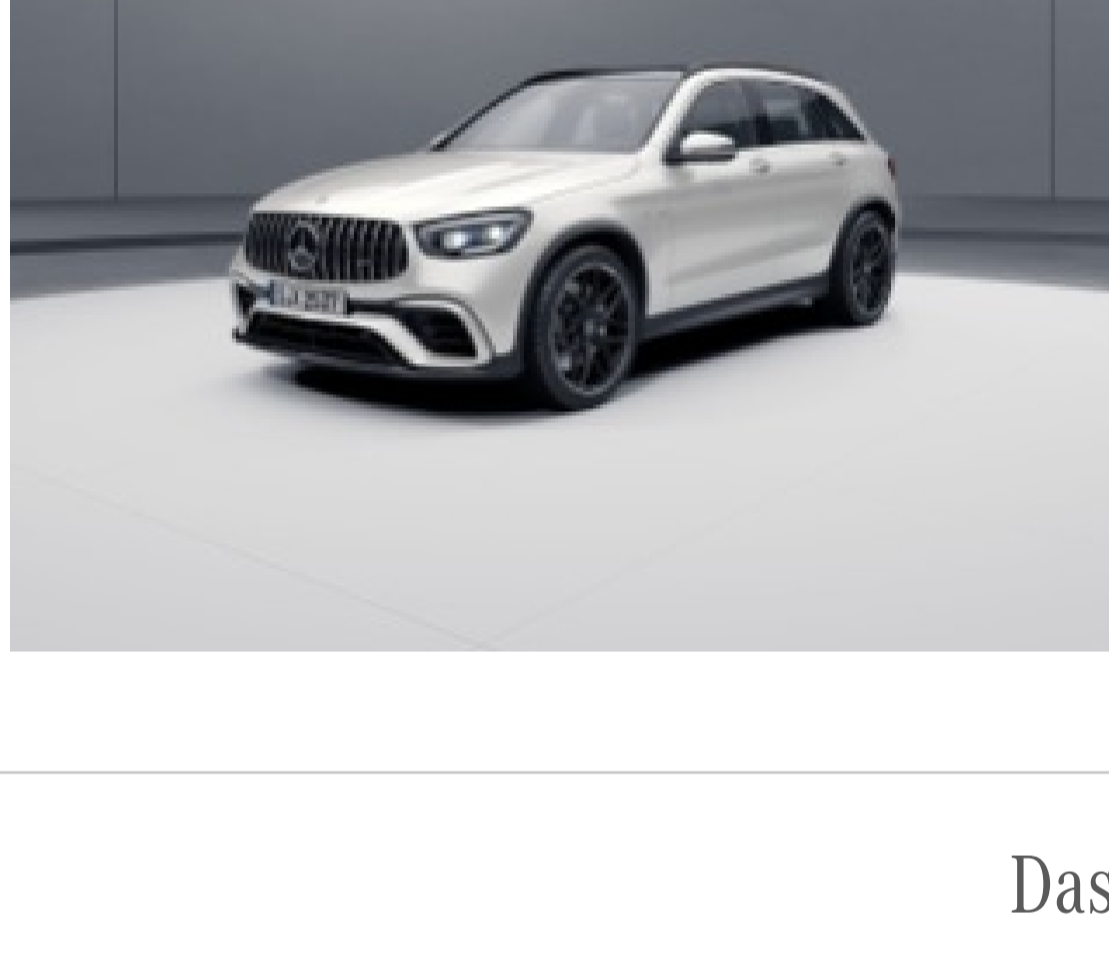
As well as recording drives on circuits or public routes, AMG Track Pace can also be used to record accelerations such as from standstill to 60mph or over a quarter mile plus deceleration values. Measurement with AMG Track Pace starts automatically when driving off or in deceleration mode when falling below a certain speed.

AMG Track Pace stores individual laps and sprints in the vehicle database. You can determine a reference time and compare your current drive with it – down to the last inch. This saves you any heavy and difficult-to-use additional equipment for analyzing your driving data.

The functions of AMG Track Pace are continually being improved and extended. You can find current information at [www.mercedes-amg.com/track-pace](http://www.mercedes-amg.com/track-pace).



## AMG Aerodynamics Package



### B26

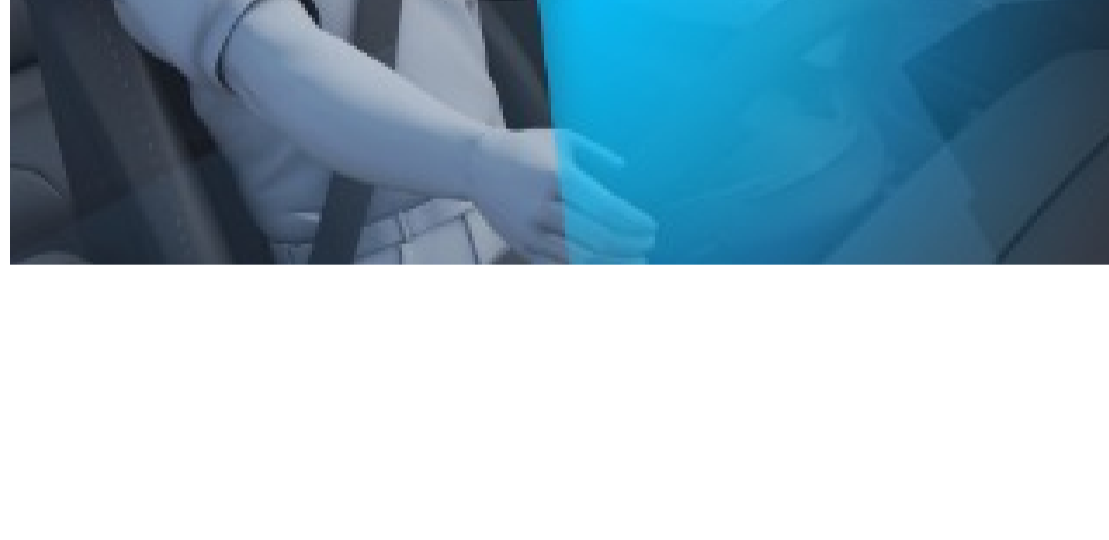
Get the most out of your vehicle: With the AMG Aerodynamics Package, you can specifically sharpen the looks while benefitting from improved driving characteristics. The additional large front spoiler lip and larger rear diffuser with diffuser attachment help to reduce lift at the front and rear and make your vehicle even sportier.

Please note: Wheels shown in photo are not available on the GLC63 SUV.

## Dashcam

### 21U

Requires Multimedia Package (DA5)



The dashcam films and saves what's happening on the road in front of your vehicle - and also records the time and speed. This can help you in documenting the sequence of events in an accident, for example, and provide you with supporting evidence if necessary. Or you can hold on to to landscapes and routes which are worth seeing and create your own automotive travel diary.

#### Components

- Camera in the windshield
- Recording of videos with a resolution of 1280 x 720 pixels (720hp) and a frame rate of 30 Hz
- Additional storage of speed and time, embedded in the video signal
- Menu in the media display, or optionally also control via the Touch Control buttons or touchpad
- Storage option via USB stick using the Media Interface
- Video material can be viewed on a computer or the media display (only possible when vehicle is stationary) - for this the storage media must first be removed from the interface and reconnected

## MBUX Interior Assistant

### 77B

Enjoy contactless ease of operation: this innovative system detects and interprets your hand and arm movements. As such you can activate selected functions in a matter of seconds. As part of this, the system is able to differentiate between driver and front passenger – so that you reach precisely the menus you wish to use.

#### Components

- 3D camera in the overhead control panel, proximity sensors near the media display and touchpad
- The system detects and interprets hand movements and as part of this differentiates between the driver and front passenger
- Specifically highlights certain elements in the media display or enlarges them (media/radio, seat adjustment, navigation or Active Parking Assist)
- Activate reading lamp – by moving hand up and down beneath rear-view mirror
- Activate search light – stretch hand out towards the unoccupied front passenger seat
- Call up the personal favorites menu – defined gestures, form a "V" using index and middle fingers. This feature is customizable for both driver and passenger



## Sports Braking System

#### Standard on GLC 43

4-piston front and single piston rear calipers



- Front axle: brake discs measuring 14.2 x 1.4 inch, internally ventilated and perforated, with 4-piston aluminum fixed caliper and black "AMG" lettering
- Rear axle: brake discs measuring 12.6 x 0.9 inch, internally ventilated, with 1-piston floating caliper with brake caliper-integrated electric parking brake
- Silver brake calipers

## AMG High-Performance Braking System (B06)

#### Standard on GLC 63

6-piston front and single piston rear calipers



- Front axle: integral brake discs measuring 15.4 inch x 1.4 inch, internally ventilated and perforated with 6-piston fixed caliper
- Rear axle: brake discs measuring 14.2 x 1.0 inch, internally ventilated and perforated with 1-piston floating caliper
- Grey-painted brake calipers with white AMG lettering
- Painted in grey brake calipers

## AMG High-Performance Composite Brake System

#### Standard on GLC63 S

6-piston front and single piston rear calipers



- Front axle: composite brake disc measuring 15.4 inch x 1.4 inch, internally ventilated and perforated with 6-piston fixed caliper
- Rear axle: brake discs measuring 14.2 inch x 1.0 inch, internally ventilated and perforated with 1-piston floating caliper
- Red-painted brake calipers with black AMG lettering

# Gallery

All

Exterior

Interior

