



Installation instructions

Mounting guideline for AMG logo on trunk lid as of 01/96

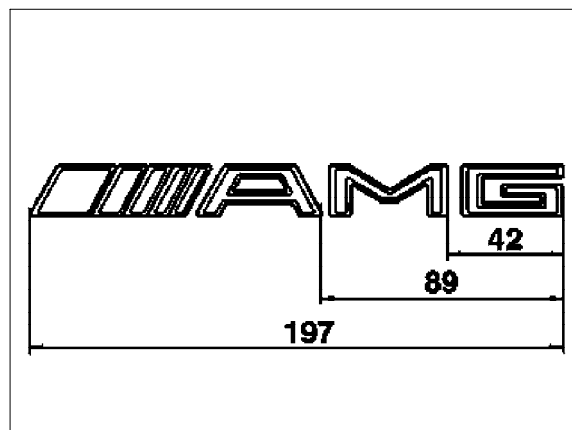
88.14

Models W 202
 A/C 124
 W 210
 R 129
 W/V/C 140

The installation instructions are divided up into the following sections:

- A. Mounting AMG logo on trunk lid
- B. Parts ordering note

The AMG logo consists of individual parts and must be attached in accordance with the specified dimensions.



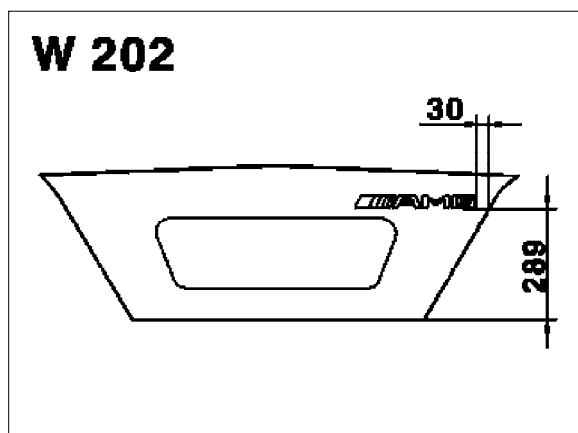
P88.50-0259-13

A. Mounting AMG logo on trunk lid

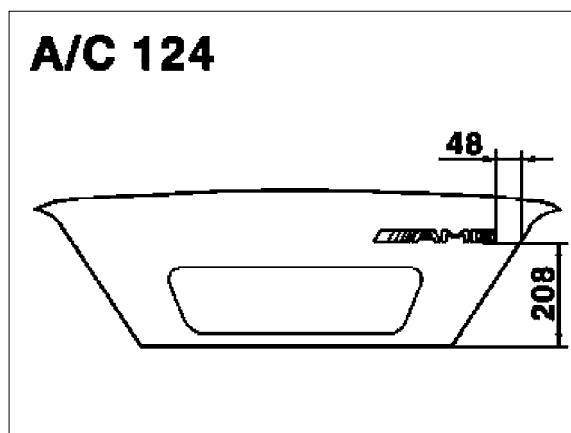
1 The area where the AMG logo is attached must be free from grease (silicone remover).

2 Heat up the AMG logo and bonding area to approx. 40 °C (radiant heater, hot air blower or similar).

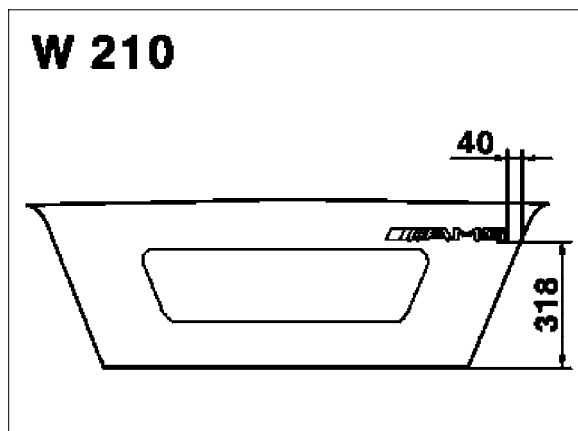
3 Attach and press on AMG log in accordance with drawing.



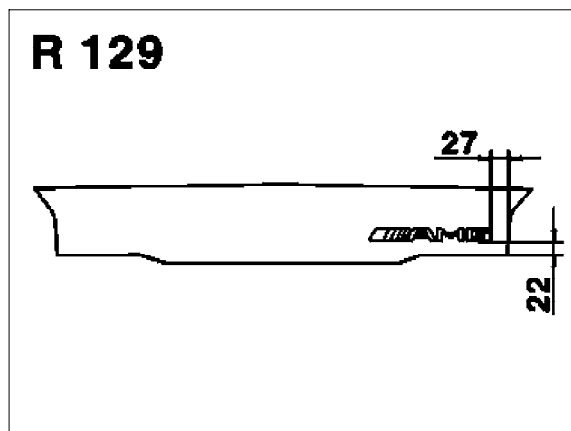
P88.50-0262-13



P88.50-0264-13

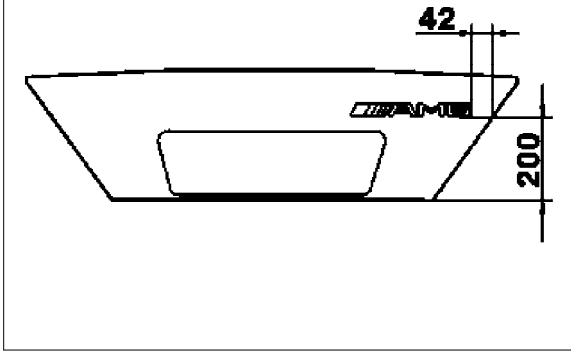


P88.50-0265-13



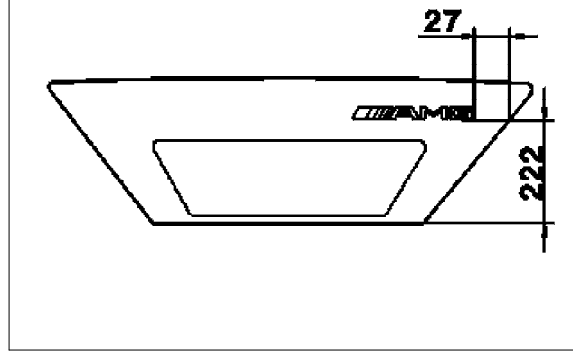
P88.50-0263-13

W/V 140



P88.50-0260-13

C 140



P88.50-0261-13

B. Parts ordering note

Designation	Part no.
AMG logo complete (chrome)	H WA210 817 02 15