

2023 GLC Coupe Order Guide



Table of Contents

1	General Information
2	What's New
3	Models
4	Equipment
4.1	Standard Equipment
4.2	Exterior Paint Colors
4.3	Wheels
4.4	Interior Upholstery
4.6	Interior Trims
4.7	Packages
4.8	Options
4.9	Specifications
5	Options In Detail
6	Gallery

General Information

Important Note

The information presented in this guide is based on the most current information available and is intended for internal use only. Mercedes-Benz reserves the right to make changes at any time, without notice, to colors, materials, equipment, special specifications and models.

Pricing may not yet be finalized for some models or options.

Due to variances among monitors and printers the colors that appear on your screen and printouts may not be exact.

For illustrative purposes, some images may show vehicles with European Specification.

Revision History

Date	Description
08/22/2022	- MSRP added or GLC43 Coupe - Accessories price change on D07 (now \$160) and D43 (now \$170)
08/16/2022	GLC300C4 MSRP added.
08/03/2022	GLC63 S Coupe removed from DOG. Not available for MY23.
07/18/2022	Link to AMG GLC Coupe competitors now available
05/31/2022	Initial Publication. Ordering open for GLC300 and GLC43. GLC63 S ordering will come later.

What's New

Models

- **MY23 GLC63C4S not offered**

Standard Equipment

Paint

Upholstery

Wheels

Options

Models



GLC43 (253.364)

- MSRP: \$68,200
- Transmission: AMG SPEEDSHIFT® TCT 9-Speed
- Transmission Speeds: 9
- Acceleration 0-60 mph (sec): 4.7
- Engine Configuration: AMG-enhanced 3.0L V6 biturbo engine
- Power (hp): 385 @ 5,500-6,100 rpm
- Torque (lb-ft): 384 @ 2,500-5,000 rpm
- Launch Date: Q4 2022

Standard Equipment

GLC43



Performance & Handling

- AMG Enhanced 3.0L V6 Biturbo (385 hp, 384 lb-ft torque)
- AMG SPEEDSHIFT® TCT 9-speed Transmission
- AMG DYNAMIC SELECT
- AMG Sport Suspension based on AIR BODY CONTROL
- AMG Performance 4MATIC (31:69)
- 3-Stage ESP

Comfort & Convenience

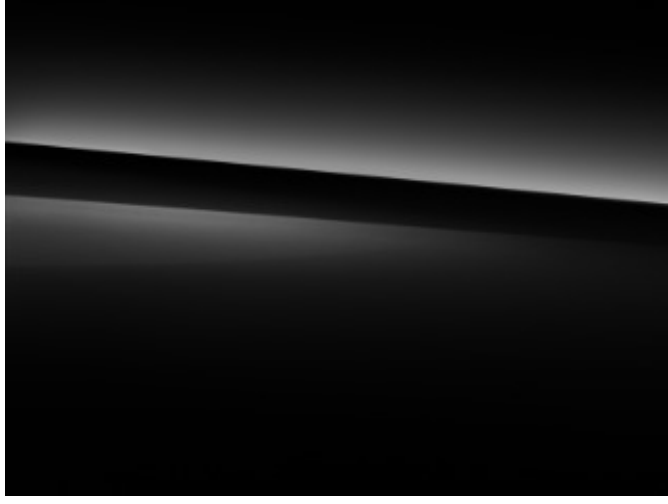
- KEYLESS START & KEYLESS GO
- Bluetooth® Technology (for Handsfree Phone Use/Audio Streaming)
- HD Radio
- Power and Heated Front Seats w/ Memory
- Power Tilt & Telescoping Steering Column
- Power Windows with Express Up and Down
- Automatic Headlamps with Twilight Sensor & Locator Lighting
- 10.25" Center Media Display with touchpad
- AMG Performance Steering Wheel
- Garage Door Opener
- Sliding Sunroof
- Adaptive Highbeam Assist
- Front and Rear Cupholders
- Power Liftgate
- Smartphone Integration (Apple CarPlay and Android Auto)
- HANDS-FREE ACCESS
- USB-C Adapter Cable
- SiriusXM Satellite Radio
- 4-way Lumbar Support
- Electronic Cruise Control
- Power Folding Mirrors
- 64-Color Ambient Lighting & AMG Illuminated Door Sills
- 12.3" Digital Instrument Cluster
- Dual-Zone Automatic Climate Control
- Intermittent Wipers with Rain Sensor
- LED Headlamps and taillights
- Auto-Dimming Driver & Rearview Mirror
- Split-Folding Rear Seats (40/20/40)
- 115V AC Power Outlet

Safety & Security

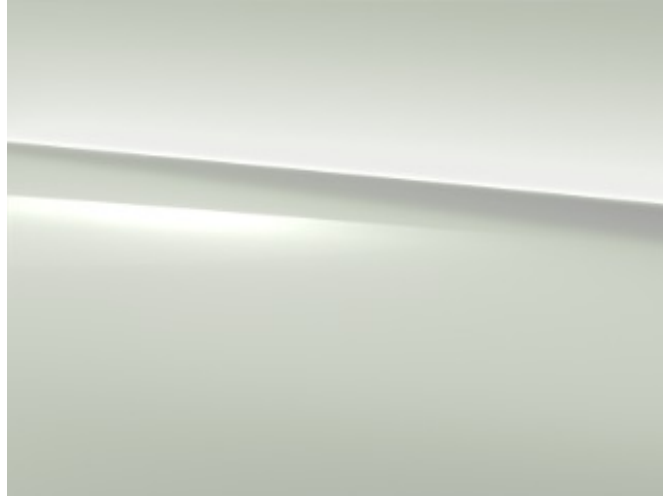
- New Vehicle 4 Year/50,000 Mile Warranty
- 3-point Seat Belt with Pretensioners & Dual-Stage Belt Force Limiter
- Front and Rear Side Window Airbags
- Driver Kneebag
- PARKTRONIC w/ Active Parking Assist
- ATTENTION ASSIST Driver Drowsiness Monitor
- PRE-SAFE
- Tire Pressure Monitoring System
- Blind Spot Assist
- 24h Roadside Assistance Program
- Front Dual-Stage Airbags
- Front Side Airbags
- Surround View Camera
- ISOFIX Anchor and Tether System
- Active Brake Assist
- Smart Key with Panic Button
- Anti-theft Alarm System

Paint

Non-Metallic Paints

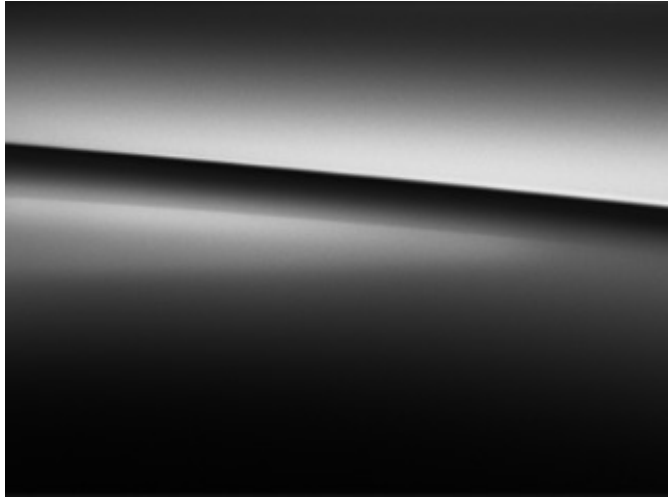


040 - Black

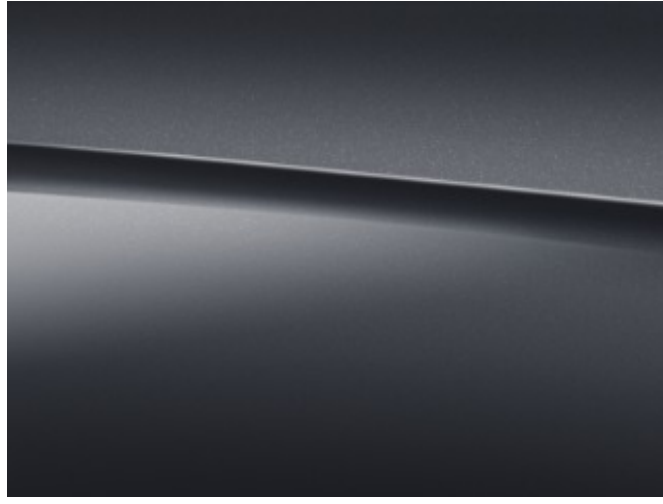


149 - Polar White

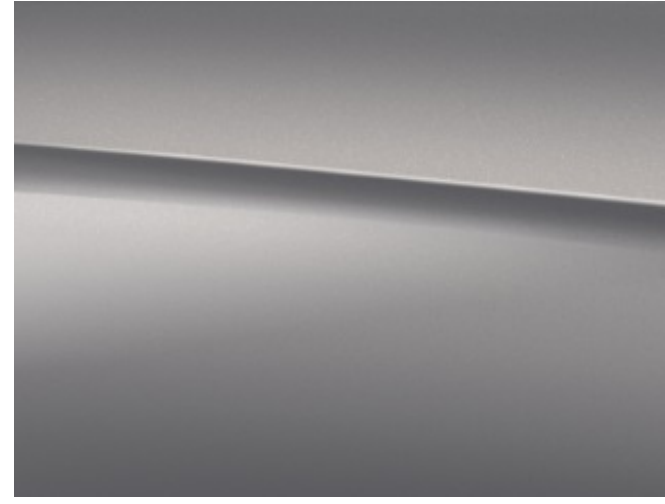
Metallic Paints



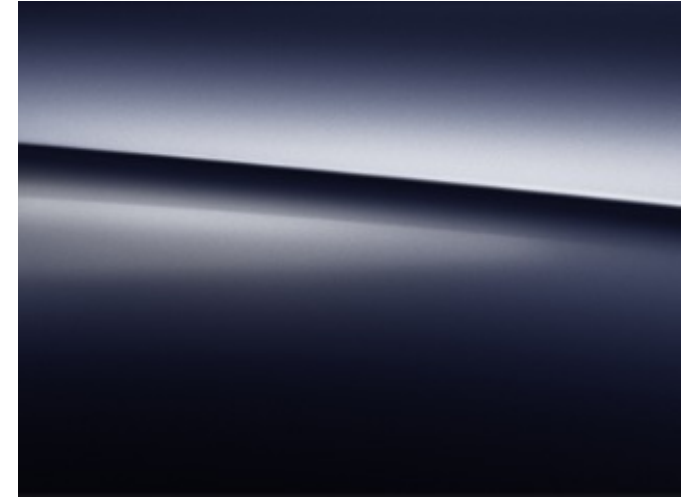
197 - Obsidian Black



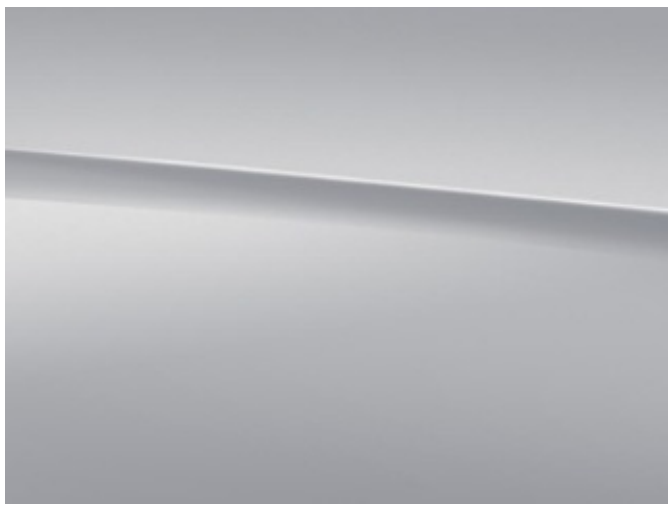
831 - Graphite Grey



859 - Mojave Silver



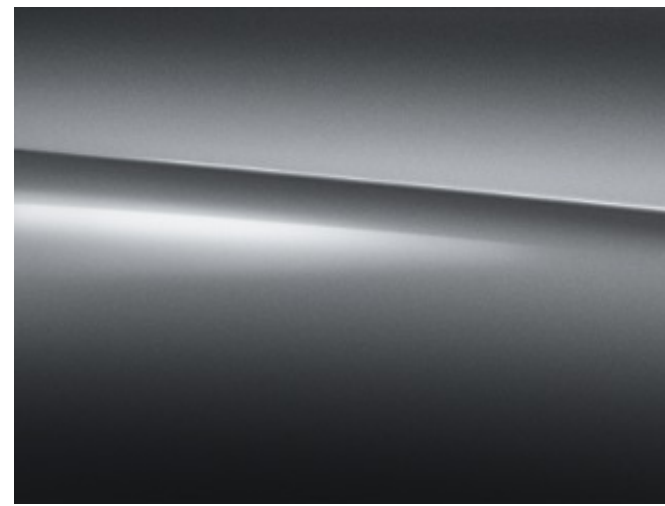
890 - Lunar Blue



922 - Cirrus Silver Metallic

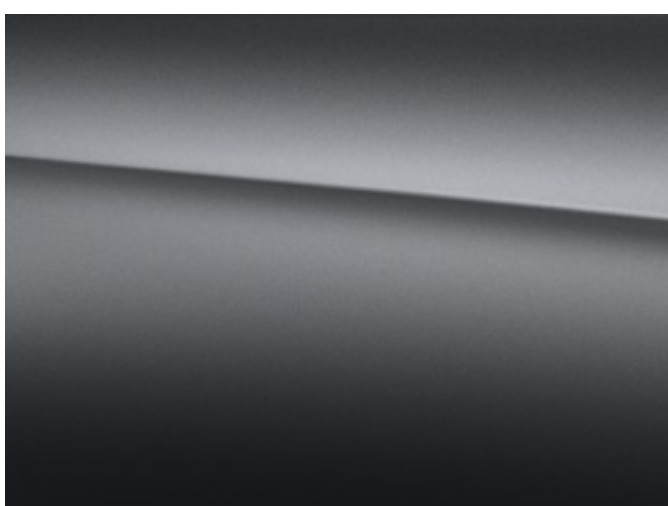


970 - Starling Blue

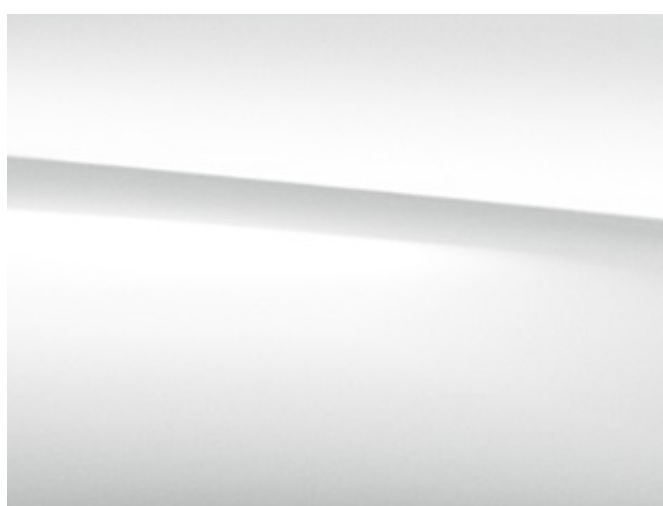


992 - Selenite Grey

MANUFAKTUR Paints



297 - MANUFAKTUR Selenite Grey Magno



799 - MANUFAKTUR Diamond White Metallic



996 - MANUFAKTUR Cardinal Red Metallic

<i>Code</i>	<i>Description</i>	<i>Availability</i>	<i>Price</i>
040	Black	All Models	\$0
149	Polar White	All Models	\$0
197	Obsidian Black	All Models	\$750
831	Graphite Grey	All Models	\$750
859	Mojave Silver	All Models	\$750
890	Lunar Blue	All Models	\$750
922	Cirrus Silver Metallic	All Models	\$750
970	Starling Blue	All Models	\$750
992	Selenite Grey	All Models	\$750
297	MANUFAKTUR Selenite Grey Magno	All Models	\$3,250
799	MANUFAKTUR Diamond White Metallic	All Models	\$1,750
996	MANUFAKTUR Cardinal Red Metallic	All Models	\$1,750

Wheels



RZX - 20" AMG Y 5-spoke Wheel

Standard on GLC43
20"

R02 (All-Season Tires), R66 (MOE Tires -
Extended Mobility)
255/45 R20 on 8.5 J x 20 ET40 (Front) 285/40
R20 on 9.5 J x 20 ET22 (Rear)

RZY - 20" AMG Y 5-Spoke Wheel w/ Black Accents

20"

R02 (All-Season Tires), R66 (MOE Tires -
Extended Mobility)
255/45 R20 on 8.5 J x 20 ET40 (Front) 285/40
R20 on 9.5 J x 20 ET22 (Rear)

RWM - 21" AMG Split 10-Spoke Wheel

21"

R01 (High-Performance Tires), B51 (Tirefit
Mobility Kit)
255/40 R21 on 8.5 J x 21 ET40 (Front) 285/35
R21 on 9.5 J x 21 ET22 (Rear)

RWN - 21" AMG Split 10-Spoke Wheel w/ Black Accents

21"

R01 (High-Performance Tires), B51 (Tirefit
Mobility Kit)
255/40 R21 on 8.5 J x 21 ET40 (Front) 285/35
R21 on 9.5 J x 21 ET22 (Rear)

Code	Wheel Size	Description	Wheel Dimensions	Mobility	Availability	MSRP
RZX	20"	Standard on GLC43	255/45 R20 on 8.5 J x 20 ET40 (Front) 285/40 R20 on 9.5 J x 20 ET22 (Rear)	R02 (All-Season Tires), R66 (MOE Tires - Extended Mobility)	All Models	\$0
RZY	20"		255/45 R20 on 8.5 J x 20 ET40 (Front) 285/40 R20 on 9.5 J x 20 ET22 (Rear)	R02 (All-Season Tires), R66 (MOE Tires - Extended Mobility)	All Models	\$200
RWM	21"		255/40 R21 on 8.5 J x 21 ET40 (Front) 285/35 R21 on 9.5 J x 21 ET22 (Rear)	R01 (High-Performance Tires), B51 (Tirefit Mobility Kit)	All Models	\$1,100
RWN	21"		255/40 R21 on 8.5 J x 21 ET40 (Front) 285/35 R21 on 9.5 J x 21 ET22 (Rear)	R01 (High-Performance Tires), B51 (Tirefit Mobility Kit)	All Models	\$1,600

Upholstery

MB Tex



641 - Black MB-Tex/Microfiber with Red Stitching

Leather



241 - Black Leather with Red Stitching



261 - Black



264 - Saddle Brown



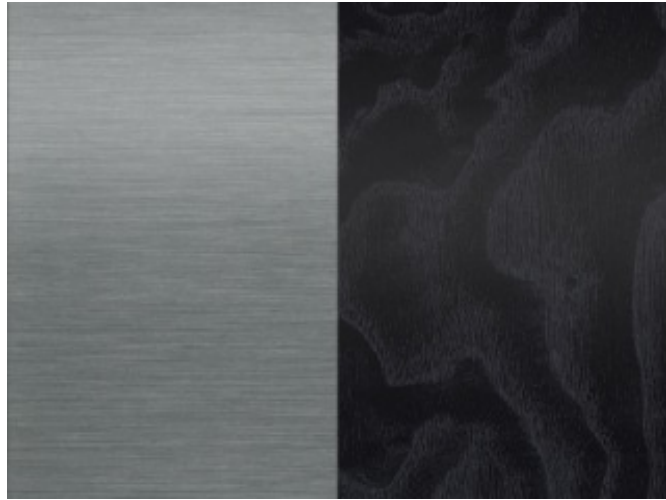
297 - Cranberry Red

Seats in picture are not available. Refer to 641 for seat design.

<i>Code</i>	<i>Description</i>	<i>Availability</i>	<i>Price</i>
641	Black MB-Tex/Microfiber with Red Stitching	All Models	\$0
241	Black Leather with Red Stitching Seats in picture are not available. Refer to 641 for seat design.	All Models	\$1,620
261	Black	All Models	\$1,620
264	Saddle Brown	All Models	\$1,620
297	Cranberry Red	All Models	\$1,620

<i>Code</i>	<i>Upholstery</i>	<i>Seats</i>	<i>Floor Mats</i>	<i>Upper Dash/Lower Dash</i>	<i>Seat Belts</i>	<i>Steering Wheel</i>	<i>Headliner</i>
641	Black MB-Tex/Microfiber with Red Stitching	Black	Black	Black/Black	Red	Black	Black
241	Black Leather with Red Stitching Seats in picture are not available. Refer to 641 for seat design.	Black	Black	Black/Black	Red	Black	Black
261	Black	Black	Black	Black/Black	Black	Black	Black
264	Saddle Brown	Saddle Brown	Black	Black/Black	Black	Black	Black
297	Cranberry Red	Cranberry Red/ Black	Black	Black/Black	Black	Black	Black

Trims



737 + 739 - Natural Grain Black Ash Wood & Aluminum Trim



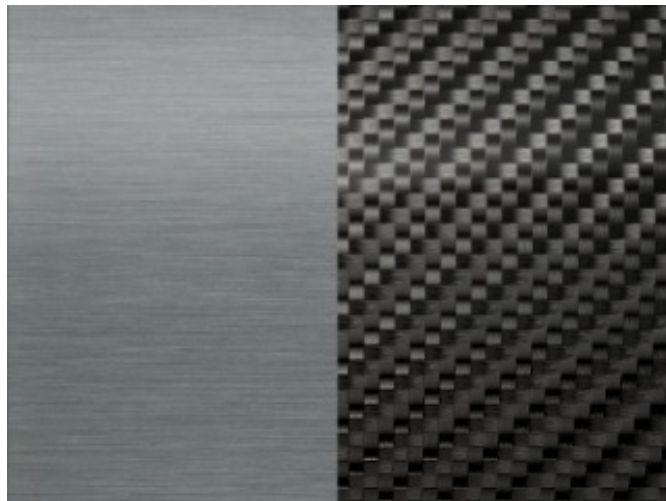
H07 - Dark Brown Linden Wood



H31 - Natural Grain Grey Oak



H33 - Natural Grain Walnut Wood



H73 - AMG Carbon Fiber

Door trim in aluminum

<i>Code</i>	<i>Description</i>	<i>Availability</i>	<i>Price</i>
737 + 739	Natural Grain Black Ash Wood & Aluminum Trim	All Models	\$0
H07	Dark Brown Linden Wood	All Models	\$0
H31	Natural Grain Grey Oak	All Models	\$0
H33	Natural Grain Walnut Wood	All Models	\$0
H73	AMG Carbon Fiber Door trim in aluminum	All Models	\$975

Packages

<i>Code</i>	<i>Packages</i>	<i>Availability</i>	<i>MSRP</i>
DA2	<p>Driver Assistance Package</p> <p>Requires DA5 Multimedia Package</p> <ul style="list-style-type: none"> ▪ PRE-SAFE® PLUS ▪ BAS PLUS with Cross-Traffic Assist ▪ Active Lane Keeping Assist ▪ DISTRONIC PLUS with Steering Assist and Stop & Go Pilot ▪ Active Emergency Stop Assist ▪ Route-Based Speed Adaptation ▪ Active Lane Change Assist ▪ Active Speed Limit Assist ▪ PRE-SAFE® Brake with Pedestrian Recognition ▪ Active Blind Spot Assist 	All Models	\$1,700
DA5	<p>Multimedia Package</p> <ul style="list-style-type: none"> ▪ MBUX Premium Multimedia System ▪ Augmented Video for Navigation ▪ Speed Limit Assist ▪ Mercedes-Benz Navigation 	All Models	\$1,300
DC1	<p>AMG Night Package</p> <p>Not with DC2 AMG Performance Studio Package (already included)</p> <ul style="list-style-type: none"> ▪ Gloss black elements include front splitter trim, rear diffuser trim, window trim, and exterior mirror housings; exhaust tailpipes in black chrome 	All Models	\$750
DC2	<p>AMG Performance Studio Package</p> <p>Not with 550 Class II Trailer Hitch; Not with DC1 AMG Night Package (already included)</p> <ul style="list-style-type: none"> ▪ AMG Night Package contents ▪ AMG Optics Package including high-gloss black for the following: front splitter in the front apron, diffuser board on rear apron, and rear spoiler lip 	All Models	\$1,950

Options

Factory Options

<i>Code</i>	<i>Options</i>	<i>Availability</i>	<i>MSRP</i>
L6J	AMG Performance Steering Wheel in Nappa	All Models	\$0
L6K	AMG Performance Steering Wheel in Nappa/Microfiber	All Models	\$500
U17	Black Seatbelts Can be selected with 641 or 241 upholsteries to change from color seat belts. Rest of upholsteries come with black belts as standard already.	All Models	\$0
U78	AMG Performance Exhaust System	All Models	\$1,250
U82	2 USB Ports in Rear Replaces 115V outlet (U80)	All Models	\$50
U88	AMG DRIVE UNIT Required with L6G steering wheel. Not available with 443.	All Models	\$400
256	AMG TRACK PACE Requires DA5 Multimedia Package	All Models	\$250
293	Rear Side Air Bags	All Models	\$700
401	Heated and Ventilated Front Seats Not with 297 and 641 upholsteries	All Models	\$450
443	Heated Steering Wheel Not available with U88	All Models	\$250
463	Head-Up Display with AMG-specific Content	All Models	\$1,100
550	Class II Trailer Hitch Not with DC2 AMG Performance Studio Package	All Models	\$575
581	3-Zone Automatic Climate Control	All Models	\$760
640	LED Intelligent Light System	All Models	\$650
690	Emergency Spare Tire Removes lockable compartment on trunk floor	All Models	\$200
810	Burmester Surround Sound System 13 speakers and 590W output.	All Models	\$850
846	Brushed Aluminum Running Boards	All Models	\$650
851	Heat & Noise-Insulating Front-Side Dual-Pane Glass	All Models	\$150
872	Heated Rear Seats	All Models	\$580
897	Inductive Wireless Charging & NFC Pairing	All Models	\$200

VPC Installed Options

<i>Code</i>	<i>Options</i>	<i>Availability</i>	<i>MSRP</i>
D03	Illuminated Star Not with Driver's Assistance Package (DA2)	All Models	\$500
D07	Wheel Locking Bolts	All Models	\$160
D08	Door Handle Inserts, Chrome	All Models	\$100
D32	AMG LED Projectors	All Models	\$275
D43	All-Season Front/Rear Floor Mats, Black Rubber	All Models	\$170
D49	First Aid Kit	All Models	\$35

Specifications

GLC43



Chassis

Drivetrain

Transmission	AMG SPEEDSHIFT® TCT 9-Speed
Transmission Speeds	9
Drive Configuration	4MATIC All-Wheel Drive

Engine

Engine Configuration	AMG-enhanced 3.0L V6 biturbo engine
Power (hp)	385 @ 5,500-6,100 rpm
Torque (lb-ft)	384 @ 2,500-5,000 rpm
Fuel Requirement (Octane)	91
Compression	10.5 : 1
Fuel Tank Size (gallons)	17.4
# Valves per Cylinder	4
Displacement (cc)	2,996

Performance

Acceleration 0-60 mph (sec)	4.7
Top Speed (mph)	130 (lim.), 155 w/ R01 tires

Fuel Economy

Fuel Economy (Cty/Hwy/Comb)	17/24/20
-----------------------------	----------

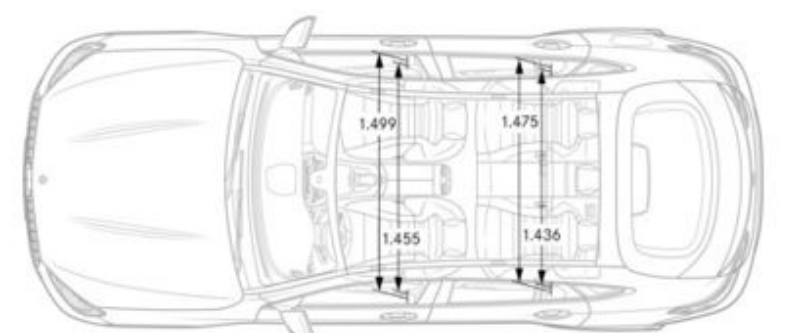
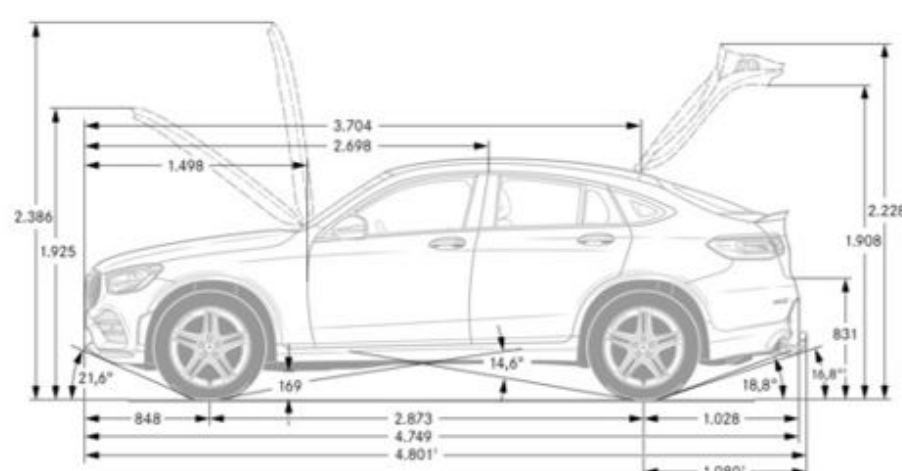
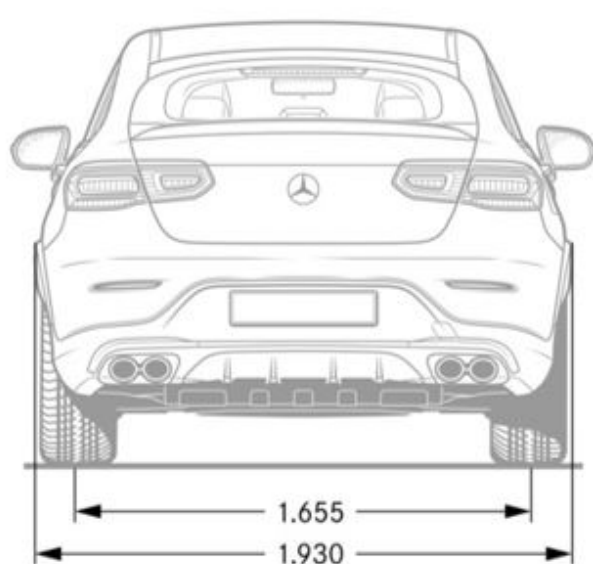
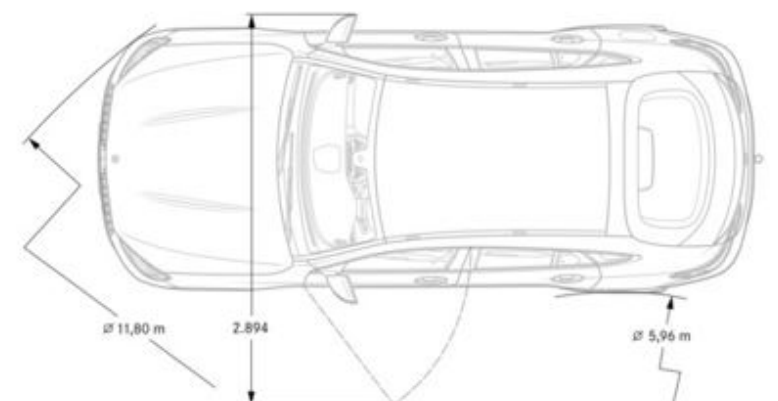
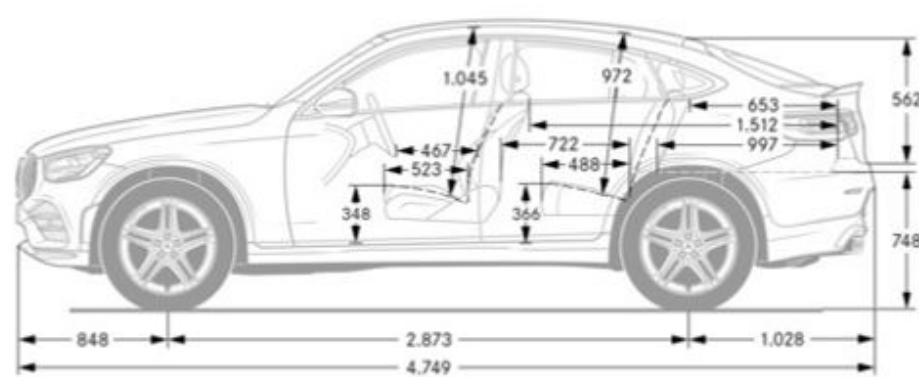
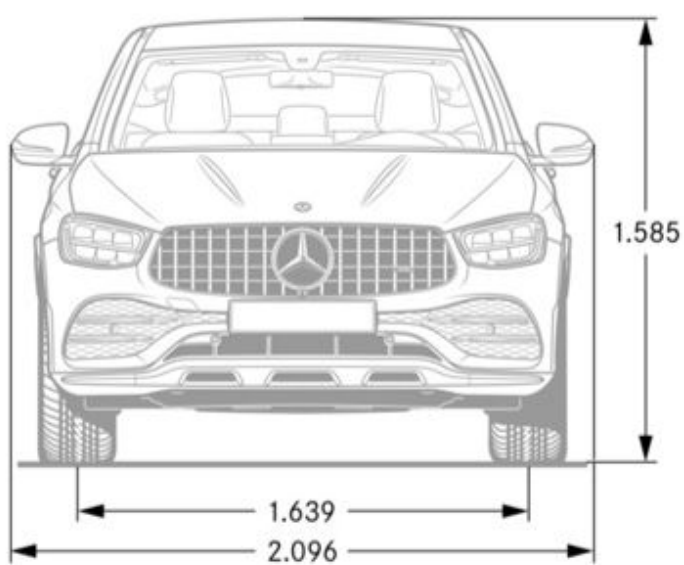
Exterior Dimensions

Vehicle Length (in.)	187
Vehicle Width w/ Mirrors (in.)	82.5
Vehicle Height (in.)	62.4
Wheelbase (in.)	113.1
Track Width Front/Rear (in.)	64.5/65.2
Curb Weight (lbs)	4,233

Wheels and Tires

Interior Dimensions

Luggage Capacity Behind Rear Seats (cubic feet)	18.05
---	-------



Steering Wheels



AMG Performance Steering Wheel in Nappa (L6J)

Option price: \$0

For outstanding vehicle control, the AMG Performance steering wheel in Nappa leather features a flattened bottom section as well as perforated grip areas. The sporty design is completed by silver-colored aluminum shift paddles and a 12-o'clock marker.

Stitching and 12 o'clock marker always in black, unless 241 or 641 upholstery are selected.



AMG Performance Steering Wheel in Nappa/Microfiber (L6K)

Option price: \$500

- For even better grip during sporty maneuvers, the grip area on the AMG Performance steering wheel in Nappa leather is finished in Microfiber. The steering wheel bezel comes in silver chrome with "AMG" lettering, silver-colored aluminum shift paddles and a 12-o'clock marker to round off the design.
- If you have interior 241 or 641, stitching and 12 o'clock marker come in red.

AMG Drive Unit

U88

With the AMG steering wheel buttons you can make your steering wheel radically sporty: they allow fast, purposeful control of specific dynamic driving functions. For a focused, concentrated and performance-oriented driving sensation – and an authentic racing car atmosphere in the cockpit.

The AMG Performance steering wheels with AMG steering wheel buttons are reminiscent of Formula 1 steering wheels in terms of their operation and characteristics, and for good reason: thanks to the ergonomic positioning of the additional steering wheel buttons in the immediate grip area, you can keep your hands on the steering wheel at all times – thanks to the intuitively understandable functionality, you can always keep an eye on the road. Ideal prerequisites for challenging driving situations which require your full attention.

The individual steering wheel buttons are implemented as modern, mini displays. Pictograms on the buttons visualize the AMG-specific function which can be accessed in each case.

Components

■ Two vertically positioned function displays on the left with rocker switch, Can be freely assigned AMG functions, for example for:

- Direct selection of manual mode
- Adjustment of the adaptive suspension
- Activation/deactivation of the Electronic Stability Program (ESP®)
- Switching of AMG Performance Exhaust System

■ Function display on the right with round control knob:

- Selection of drive programs and display of currently selected mode



AMG TRACK PACE

256

AMG TRACK PACE transforms your AMG vehicle into your virtual race engineer. With the aid of lap, sector and acceleration times plus selected live telemetrics data you can analyze and improve your driving skill on cordoned-off tracks in a targeted manner.

In order to determine as precise a position as possible, AMG TRACK PACE works with a specially programmed algorithm which combines vehicle data such as wheel speed, steering angle and yaw rate with the satellite-aided GPS positioning system and updates every 50 milliseconds (20 Hz technology). This makes position measurement significantly more precise than with external applications such as third-party-provider apps on the smartphone.

In order to record and continually improve your individual performance, recorded data such as lateral and longitudinal acceleration, accelerator and brake pedal position or steering angle are used. All values are clearly depicted and can be read out directly in the vehicle. Fast or slow laps can be noted from the corner of the eye thanks to various color displays.

As well as recording drives on circuits or public routes, AMG TRACK PACE can also be used to record accelerations such as from standstill to 60mph or over a quarter mile plus deceleration values. Measurement with AMG TRACK PACE starts automatically when driving off or in deceleration mode when falling below a certain speed.

AMG TRACK PACE stores individual laps and sprints in the vehicle database. You can determine a reference time and compare your current drive with it – down to the last inch. This saves you any heavy and difficult-to-use additional equipment for analyzing your driving data.

The functions of AMG Track Pace are continually being improved and extended. You can find current information at www.mercedes-amg.com/track-pace.



Brakes



Sports Braking System

4-piston front and single piston rear calipers

- Front axle: brake disks measuring 14.2 x 1.4 inch, internally ventilated and perforated, with 4-piston aluminum fixed caliper and black "AMG" lettering
- Rear axle: brake disks measuring 12.6 x 0.9 inch, internally ventilated, with 1-piston floating caliper with brake caliper-integrated electric parking brake
- Silver brake calipers

Gallery

All

Exterior

Interior

