

2024 GLC Coupe Order Guide



Table of Contents

1	General Information
2	What's New
3	Models
4	Equipment
4.1	Standard Equipment
4.2	Exterior Paint Colors
4.3	Wheels
4.4	Interior Upholstery
4.6	Interior Trims
4.7	Packages
4.8	Options
4.9	Specifications
5	Options In Detail
6	Gallery

General Information

Important Note

The information presented in this guide is based on the most current information available and is intended for internal use only. Mercedes-Benz reserves the right to make changes at any time, without notice, to colors, materials, equipment, special specifications and models.

Pricing may not yet be finalized for some models or options.

Due to variances among monitors and printers the colors that appear on your screen and printouts may not be exact.

For illustrative purposes, some images may show vehicles with European Specification.

Revision History

Date	Description
03/21/2024	Augmented Reality Video (U19) and Dashcam (21U) not available for order from March until December 2024.
02/26/2024	AMG: 757 & 795 Offering logic updated in trim section
12/04/2023	Option Burmester 3D Surround Sound System (incl. 22U Music Streaming & 32U Sound Personalization) will be required content when DX2 Pinnacle Trim is selected on configurations now until the end of Q1 2024
11/02/2023	Rear Spoiler Body Color (D10), Rear Spoiler Black (D21) not available from November until December 2023
10/09/2023	Burmester 3D Surround Sound System (incl. 22U Music Streaming & 32U Sound Personalization) is now available as a single option (810). The GLC Coupe will be equipped with Frontbass® Audio System as standard.
10/09/2023	AMG Line is no longer equipped as standard, it will now be available as an optional package (DG3).
10/09/2023	Standard Line is now available as the base build. Standard wheels (78R, R42), Upholsteries (101, 104, 105, 201, 205) are now available to order.
07/31/2023	Initial publication.
07/31/2023	MB-Tex Dashboard with Nappa Look (U34) required content for all builds until end of 2024.
07/31/2023	Enhanced Ambient Lighting (894) not available for ordering from July until December 2023. This will be replaced with Standard Ambient Light (891).

What's New

Models



GLC43 (254.387)

- MSRP: TBD
- Transmission: AMG SPEEDSHIFT® MCT 9-Speed Transmission
- Transmission Speeds: 9
- Acceleration: 4.7
- Engine Configuration: Handcrafted AMG 2.0L Inline-4 Turbo Engine w/ Hybrid Assist
- Power (hp): 416 hp (ICE), 13 hp (RSG)
- Torque (lb-ft): 369 lb-ft
- Launch Date: TBA

Standard Equipment

GLC43



Performance & Handling

- Handcrafted AMG 2.0L Inline-4 Turbo Engine w/ Hybrid Assist
- AMG Real Performance Sound
- AMG RIDE CONTROL Suspension w/ Adaptive Damping
- AMG Performance 4MATIC All-Wheel Drive
- AMG Performance Steering Wheel w/ AMG DRIVE UNIT
- AMG DYNAMIC SELECT
- AMG High Performance Braking System w/ Silver Calipers
- AMG SPEEDSHIFT® MCT 9-Speed Transmission
- Rear-Axle Steering
- ECO Start/Stop System

Comfort & Convenience

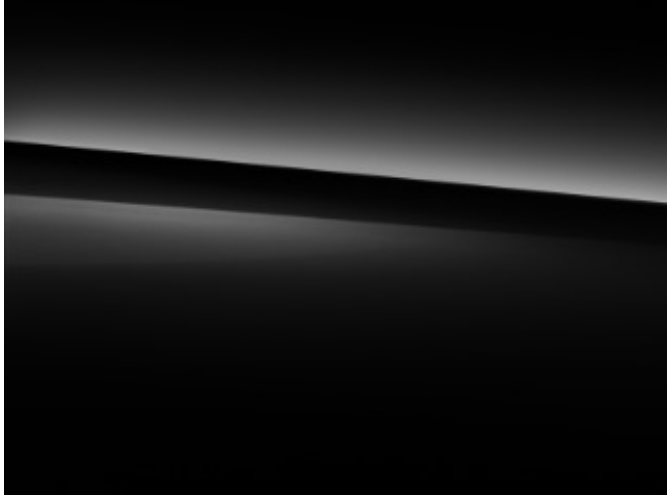
- MBUX Intelligent Vehicle Assistant (“Hey Mercedes”)
- 12.3" Digital Instrument Cluster
- KEYLESS-START
- Power Liftgate
- Power Tilt & Telescoping Steering Column
- Dual-Zone Automatic Climate Control
- Electronic Cruise Control
- Storage Package
- Auto-Dimming Rearview Mirror
- Garage Door Opener
- Wireless Android Auto
- Fingerprint Scanner
- SiriusXM Satellite Radio
- Inductive Wireless Charging
- Panorama Roof
- 11.9" Center Touchscreen Display
- Power Heated Front Seats with Seat Memory and Lumbar Support
- KEYLESS-GO w/ HANDS FREE ACCESS
- Bluetooth® Technology (for Handsfree Phone Use/Audio Streaming)
- Steering Wheel Shift Paddles
- Three USB-C Ports
- Power Windows with Express Up and Down
- Split-Folding Rear Seats (40/20/40)
- Rain Sensing Wipers w/ Heated Windscreen Washer System
- Wireless Apple Carplay
- Ambient Lighting
- Nappa-look Dashboard
- Mirror Logo Projector
- AMG Illuminated Door Sills
- Heated Steering Wheel

Safety & Security

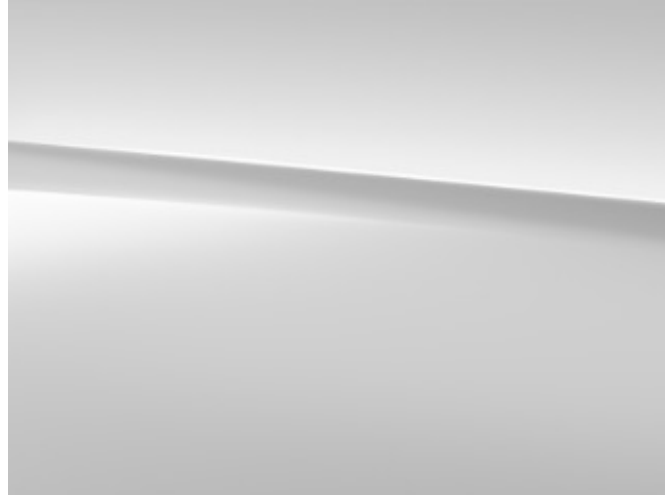
- New Vehicle 4 Year/50,000 Mile Warranty
- Blind Spot Assist
- Front Dual-Stage Airbags
- Active Brake Assist
- Front and Rear Side Window Airbags
- Driver Kneebag
- PARKTRONIC w/ Active Parking Assist
- Tire Pressure Monitoring System
- Adaptive Highbeam Assist
- 24h Roadside Assistance Program
- LED Headlamps and Taillamps
- 3-point Seat Belt with Pretensioners & Dual-Stage Belt Force Limiter
- PRE-SAFE® w/ PRE-SAFE Sound
- Front Side Airbags
- ISOFIX Anchor and Tether System
- Rear View Camera
- ATTENTION ASSIST Driver Drowsiness Monitor
- Guard 360 Monitoring

Paint

Non-Metallic Paints

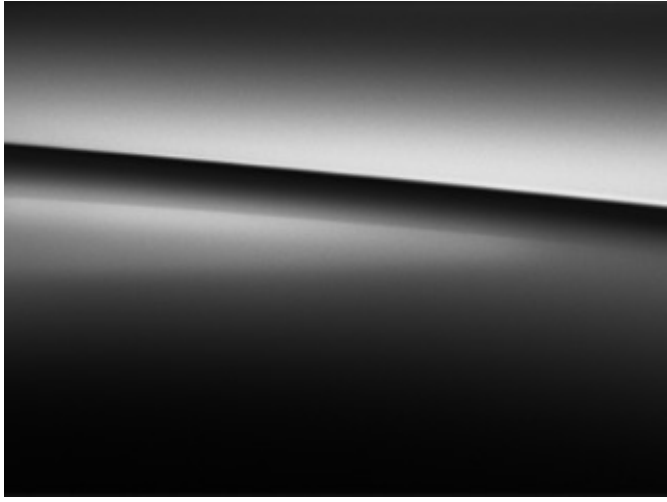


040 - Black

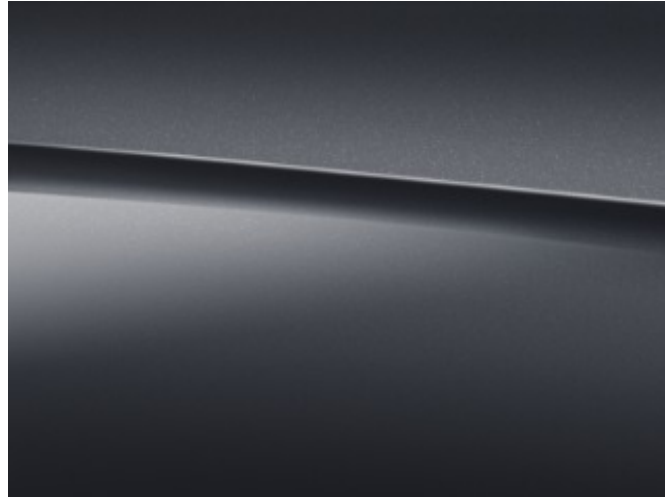


149 - Polar White

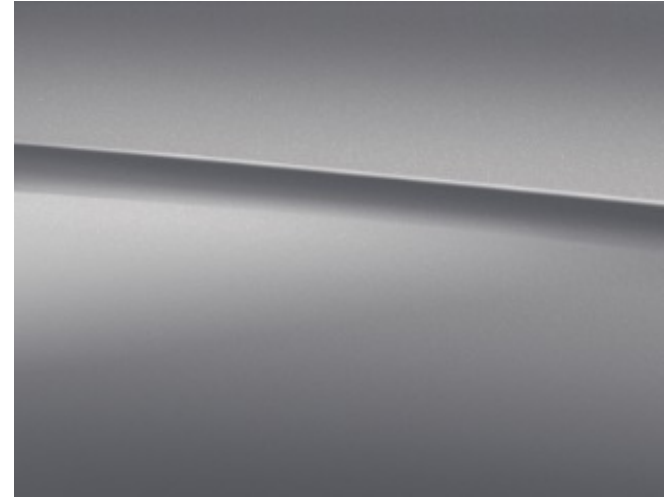
Metallic Paints



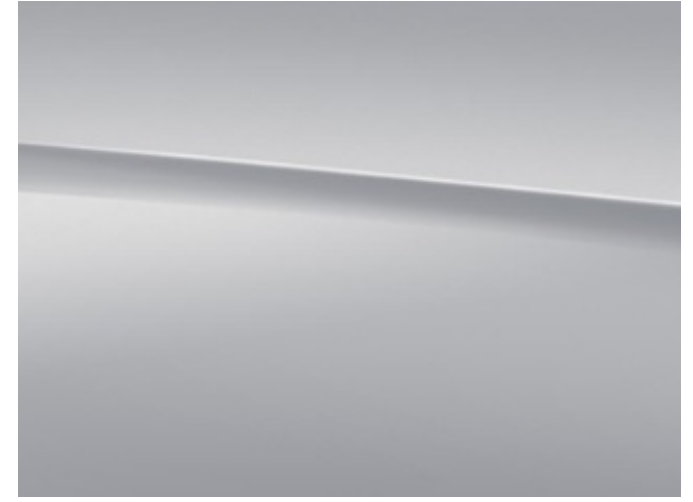
197 - Obsidian Black Metallic



831 - Graphite Grey Metallic



859 - Mojave Silver Metallic

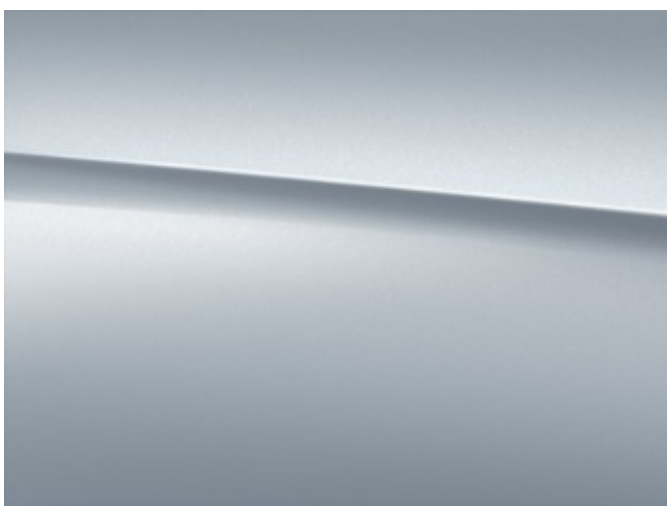


922 - Cirrus Silver Metallic

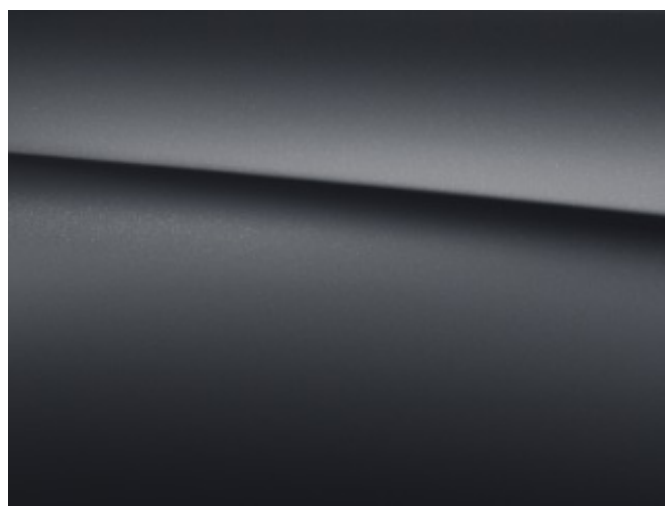


970 - Starling Blue Metallic

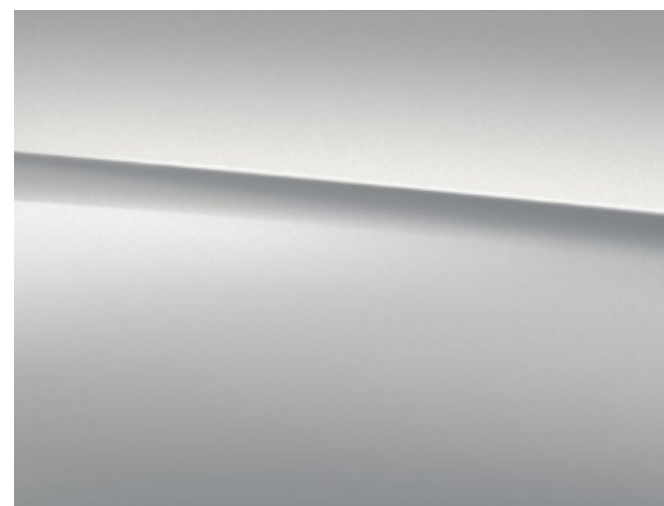
MANUFAKTUR Paints



734 - MANUFAKTUR Cirrus Silver Magno



818 - MANUFAKTUR Graphite Grey Magno



885 - MANUFAKTUR Moonlight White Metallic



993 - MANUFAKTUR Patagonia Red Metallic

<i>Code</i>	<i>Description</i>	<i>Availability</i>	<i>Price</i>
040	Black	All Models	\$0
149	Polar White	All Models	\$0
197	Obsidian Black Metallic	All Models	\$750
831	Graphite Grey Metallic	All Models	\$750
859	Mojave Silver Metallic	All Models	\$750
922	Cirrus Silver Metallic	All Models	\$750
970	Starling Blue Metallic	All Models	\$750
734	MANUFAKTUR Cirrus Silver Magno	All Models	\$3,250
818	MANUFAKTUR Graphite Grey Magno	All Models	\$3,250
885	MANUFAKTUR Moonlight White Metallic	All Models	\$1,750
993	MANUFAKTUR Patagonia Red Metallic	All Models	\$1,750

Wheels



**RVM - 20" AMG Twin 10-Spoke
Wheels**

20"/20"

R01/B51 or R02/R66

front: 265/45 R20 on 9.5 J x 20 ET 32, rear:
295/40 R20 on 10.0 J x 20 ET 24



**RVN - 20" AMG Twin 10-Spoke
Wheels w/ Black Accents**

20"/20"

R01/B51 or R02/R66

front: 265/45 R20 on 9.5 J x 20 ET 32, rear:
295/40 R20 on 10.0 J x 20 ET 24



RWM - 21" AMG Y-Spoke Wheels

21"/21"

R01/B51 or R02/B51

front: 265/40 R21 on 9.5 J x 21 ET 32, rear:
295/35 R21 on 10.0 J x 21 ET 24



**RWN - 21" AMG Y-Spoke Wheels,
Matte Black**

21"/21"

R01/B51 or R02/B51

front: 265/40 R21 on 9.5 J x 21 ET 32, rear:
295/35 R21 on 10.0 J x 21 ET 24

<i>Code</i>	<i>Wheel Size</i>	<i>Description</i>	<i>Wheel Dimensions</i>	<i>Mobility</i>	<i>Availability</i>	<i>MSRP</i>
RVM	20"/20"		front: 265/45 R20 on 9.5 J x 20 ET 32, rear: 295/40 R20 on 10.0 J x 20 ET 24	R01/B51 or R02/R66	All Models	\$0
RVN	20"/20"		front: 265/45 R20 on 9.5 J x 20 ET 32, rear: 295/40 R20 on 10.0 J x 20 ET 24	R01/B51 or R02/R66	All Models	\$200
RWM	21"/21"		front: 265/40 R21 on 9.5 J x 21 ET 32, rear: 295/35 R21 on 10.0 J x 21 ET 24	R01/B51 or R02/B51	All Models	\$1,100
RWN	21"/21"		front: 265/40 R21 on 9.5 J x 21 ET 32, rear: 295/35 R21 on 10.0 J x 21 ET 24	R01/B51 or R02/B51	All Models	\$1,600

Upholstery

MB Tex



651 - Black MB-Tex/Microfiber w/ Red Accents

Shown with DE4 Performance Seat package.
This upholstery is not possible w/ 401 Seat ventilation.

Leather



211 - Black Leather



251 - Black Leather w/ Red Accents

Shown with DE5 Performance Seat package.



294 - Sienna Brown / Black Leather



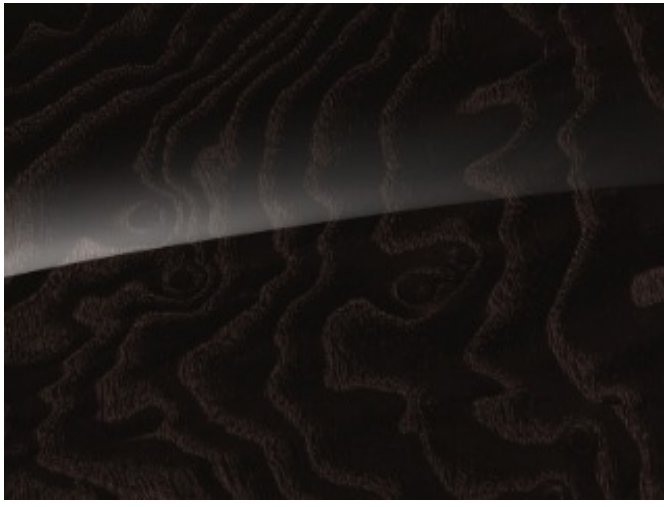
297 - Power Red/Black Leather

Not available in combination with Starling Blue Metallic Paint (970)

<i>Code</i>	<i>Description</i>	<i>Availability</i>	<i>Price</i>
651	Black MB-Tex/Microfiber w/ Red Accents Shown with DE4 Performance Seat package. This upholstery is not possible w/ 401 Seat ventilation.	All Models	\$0
211	Black Leather	All Models	\$1,620
251	Black Leather w/ Red Accents Shown with DE5 Performance Seat package.	All Models	\$1,620
294	Sienna Brown / Black Leather	All Models	\$1,620
297	Power Red/Black Leather Not available in combination with Starling Blue Metallic Paint (970)	All Models	\$1,620

<i>Code</i>	<i>Upholstery</i>	<i>Seats</i>	<i>Floor Mats</i>	<i>Upper Dash/Lower Dash</i>	<i>Seat Belts</i>	<i>Steering Wheel</i>	<i>Headliner</i>
651	Black MB-Tex/Microfiber w/ Red Accents Shown with DE4 Performance Seat package. This upholstery is not possible w/ 401 Seat ventilation.	Black	Black	Black	Red	Black	Black
211	Black Leather	Black	Black	Black	Black	Black	Black
251	Black Leather w/ Red Accents Shown with DE5 Performance Seat package.	Black	Black	Black	Red	Black	Black
294	Sienna Brown / Black Leather	Sienna Brown/Black	Black	Black	Black	Black	Black
297	Power Red/Black Leather Not available in combination with Starling Blue Metallic Paint (970)	Power Red/Black	Black	Black	Black	Black	Black

Trims



H03 - Glossy Brown Ash Wood

Only w/ 757 Center Console



**H04 - Natural Grain Black Wood w/
Aluminum Lines**

Only w/ 757 Center Console



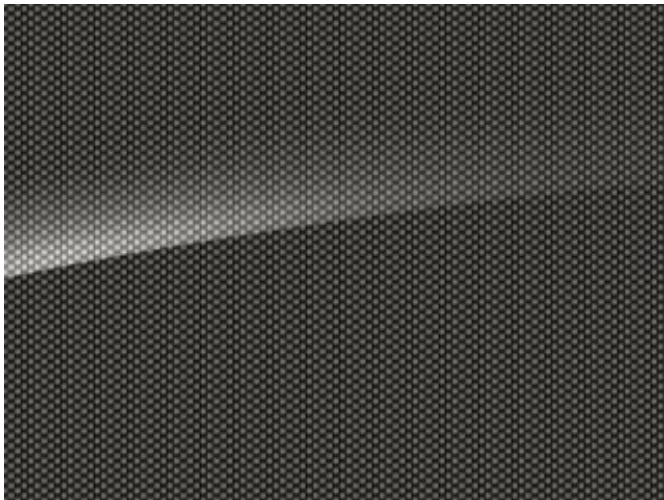
H08 - Fineline Anthracite Wood

Only w/ 795 Ceter Console



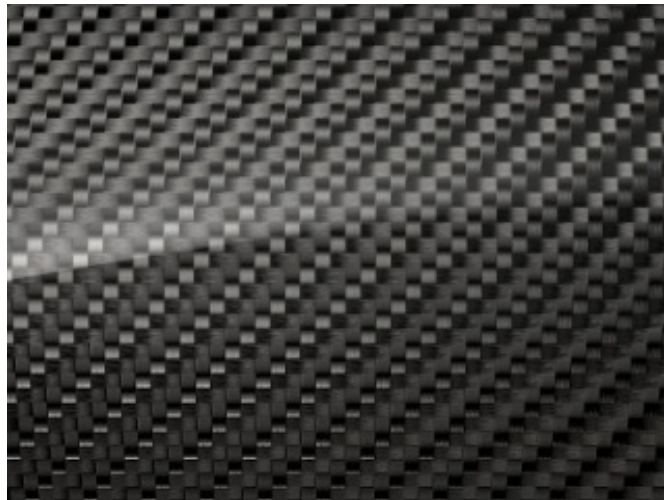
H33 - Natural Grain Walnut Wood

Only w/ 757 Cente Console



H64 - Metal Weave

Only w/ 795 Center Console



H73 - AMG Carbon Fiber

Only w/ 757 Center Console



**757 - Piano Black Lacquer Center
Console**

only with H03/H04/H33/H73



795 - Metal Weave Center Console

only with H95/H64

<i>Code</i>	<i>Description</i>	<i>Availability</i>	<i>Price</i>
H03	Glossy Brown Ash Wood Only w/ 757 Center Console	All Models	\$0
H04	Natural Grain Black Wood w/ Aluminum Lines Only w/ 757 Center Console	All Models	\$200
H08	Fineline Anthracite Wood Only w/ 795 Ceter Console	All Models	\$0
H33	Natural Grain Walnut Wood Only w/ 757 Cente Console	All Models	\$0
H64	Metal Weave Only w/ 795 Center Console	All Models	\$0
H73	AMG Carbon Fiber Only w/ 757 Center Console	All Models	\$975
757	Piano Black Lacquer Center Console only with H03/H04/H33/H73	All Models	\$0
795	Metal Weave Center Console only with H95/H64	All Models	\$0

Packages

<i>Code</i>	<i>Packages</i>	<i>Availability</i>	<i>MSRP</i>
DX2	Pinnacle Trim <ul style="list-style-type: none"> ▪ 851 - Heat & Noise insulating glass ▪ 444 - Head-Up Display ▪ PAX - DIGITAL LIGHT with Projections ▪ U19 - Augmented Video for Navigation 	All Models	\$2,150
DA2	Driver Assistance Package <ul style="list-style-type: none"> ▪ 233 - DISTRONIC PLUS with Steering Assist and Stop & Go Assist ▪ 268 - BAS PLUS with Cross-Traffic Assist ▪ PRE-SAFE® IMPULSE SIDE ▪ Route-Based Speed Adaptation ▪ Active Lane Change Assist ▪ 253 - PRE-SAFE® PLUS ▪ P20 - Driver Assistance Package Plus ▪ Active Speed Limit Assist ▪ 300 - PRE-SAFE® Brake with Pedestrian Recognition 	All Models	\$1,950
DC1	AMG Night Package Not w/ DC2 since that package already included these components <ul style="list-style-type: none"> ▪ P60 - AMG Night Package Components ▪ 720 - Black Roof Rails 	All Models	\$750
DF1	AMG Night Package Plus not w/ DC1 <ul style="list-style-type: none"> ▪ 5U6 - AMG Grille, Darkened ▪ 7U8 - Model Badging in Black ▪ P60 - AMG Night Package 	All Models	\$550
DC2	AMG Performance Studio Package Not w/ DC1 since that is included inside of this package & not w/ 773 or 550 <ul style="list-style-type: none"> ▪ 720 - Roof Rails in Black ▪ P60 - AMG Night Package ▪ 36P - AMG Optics Package 	All Models	\$1,950
DE4	AMG Performance Seat Package Not with leather upholsteries <ul style="list-style-type: none"> ▪ 555 - AMG Performance Seats 	All Models	\$2,500
DE5	AMG Performance Seat Package Advanced Only w/ leather upholsteries <ul style="list-style-type: none"> ▪ 555 - AMG Performance Seats ▪ 409 - Multicontour functions ▪ 401 - Seat Ventilation 	All Models	\$3,700
DE6	AMG DYNAMIC PLUS Package <ul style="list-style-type: none"> ▪ U70 - Red Brake Calipers ▪ P71 - AMG DYNAMIC PLUS Package code ▪ 466 - AMG Dynamic Engine Mounts 	All Models	\$2,000

Options

Factory Options

<i>Code</i>	<i>Options</i>	<i>Availability</i>	<i>MSRP</i>
810	Burmester® Surround Sound System Recommended	All Models	\$910
239	Active Distance Assist DISTRONIC Only w/ DX2	All Models	\$600
256	AMG TRACK PACE	All Models	\$250
293	Rear Side Airbags	All Models	\$700
401	Ventilated Front Seats Only with leather upholstery	All Models	\$450
550	Trailer Hitch - Class II Not ww/ DC2	All Models	\$600
846	Brushed Aluminum Running Boards	All Models	\$650
872	Heated Rear Seats	All Models	\$500
21U	Dashcam Requires Pinnacle Trim (DX2)	All Models	\$200
6U6	AMG Fuel Cap	All Models	\$110
72B	Advanced USB Package	All Models	\$220
L6H	AMG Performance Steering Wheel in Carbon Fiber/Microfiber Only w/ DE6	All Models	\$900
L6J	AMG Performance Steering Wheel in Nappa	All Models	\$0
L6K	AMG Performance Steering Wheel in Nappa/Microfiber	All Models	\$500
U17	Black Seat Belts Only with 651/251 upholsteries	All Models	\$0
Y05	Red Seatbelts Only with 651/251 upholsteries	All Models	\$650

VPC Installed Options

<i>Code</i>	<i>Options</i>	<i>Availability</i>	<i>MSRP</i>
D07	Wheel Locking Bolts	All Models	\$160
D08	Door Handle Inserts, Chrome	All Models	\$100
D32	AMG LED Projectors	All Models	\$275
D49	First Aid Kit	All Models	\$35
D38	AMG Star Set (plate frame/valve caps/keychain)	All Models	\$85

Specifications

GLC43



Chassis

Drivetrain

Transmission	AMG SPEEDSHIFT® MCT 9-Speed Transmission
Transmission Speeds	9
Drive Configuration	AMG Performance 4MATIC All-Wheel Drive System

Engine

Engine Configuration	Handcrafted AMG 2.0L Inline-4 Turbo Engine w/ Hybrid Assist
Power (hp)	416 hp (ICE), 13 hp (RSG)
Torque (lb-ft)	369 lb-ft
Fuel Requirement (Octane)	91
Compression	10.0:1
Fuel Tank Size (gallons)	16.4
Displacement (cc)	1,991
# Valves per Cylinder	4

Performance

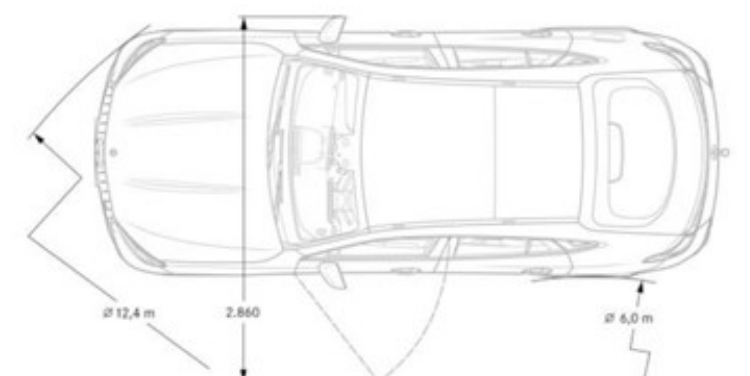
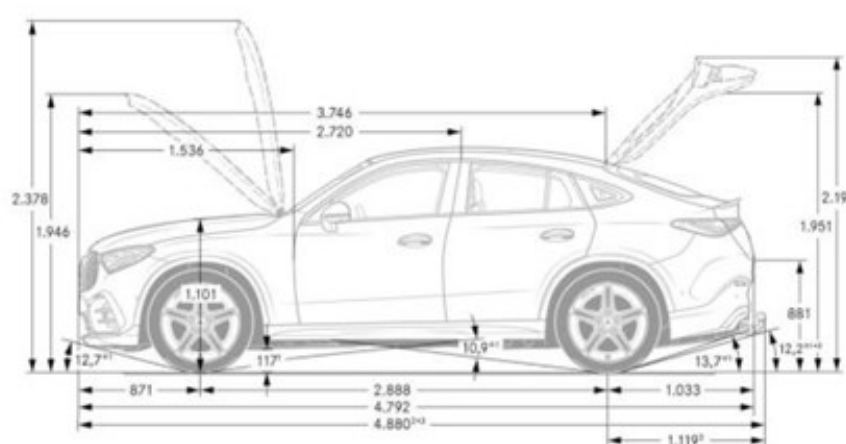
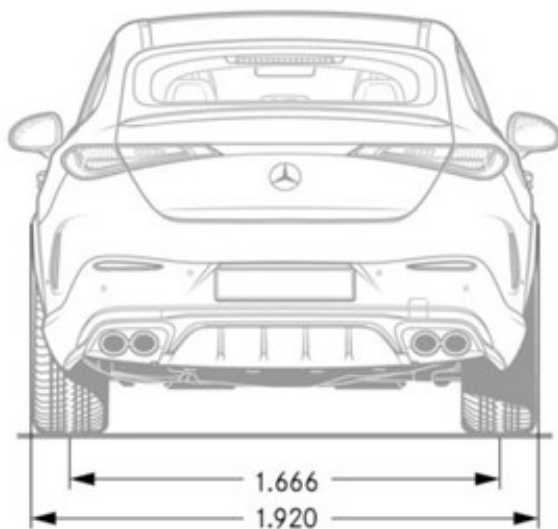
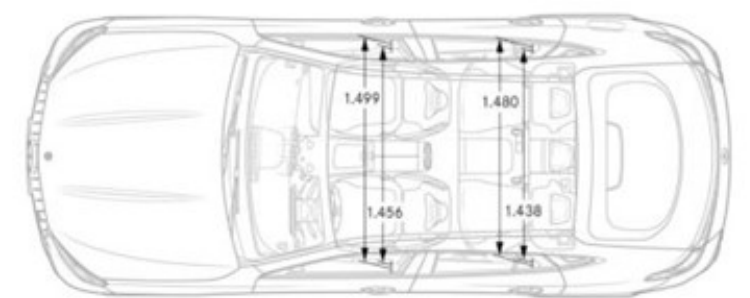
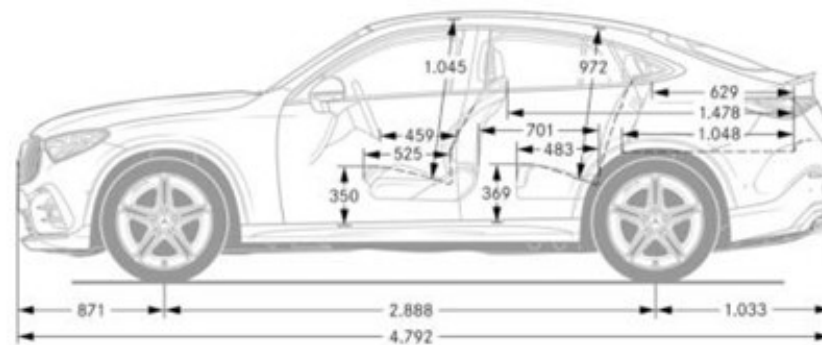
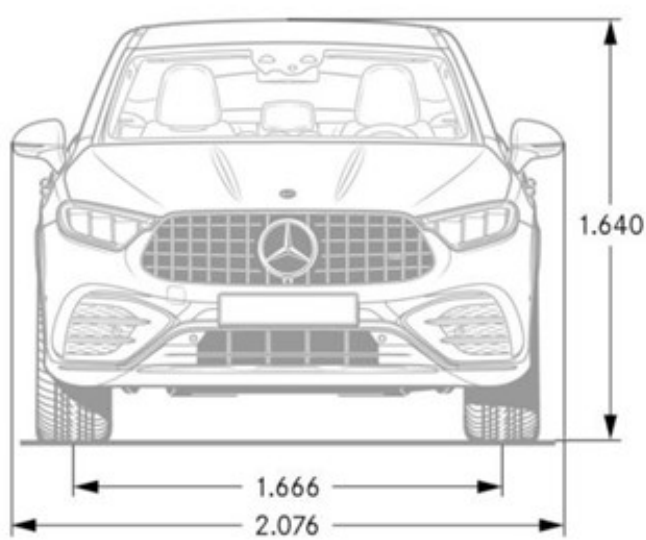
Acceleration	4.7
Top Speed	155 mph

Fuel Economy

Exterior Dimensions

Wheels and Tires

Interior Dimensions



Options In Detail

Mercedes-Benz User Experience (Standard)

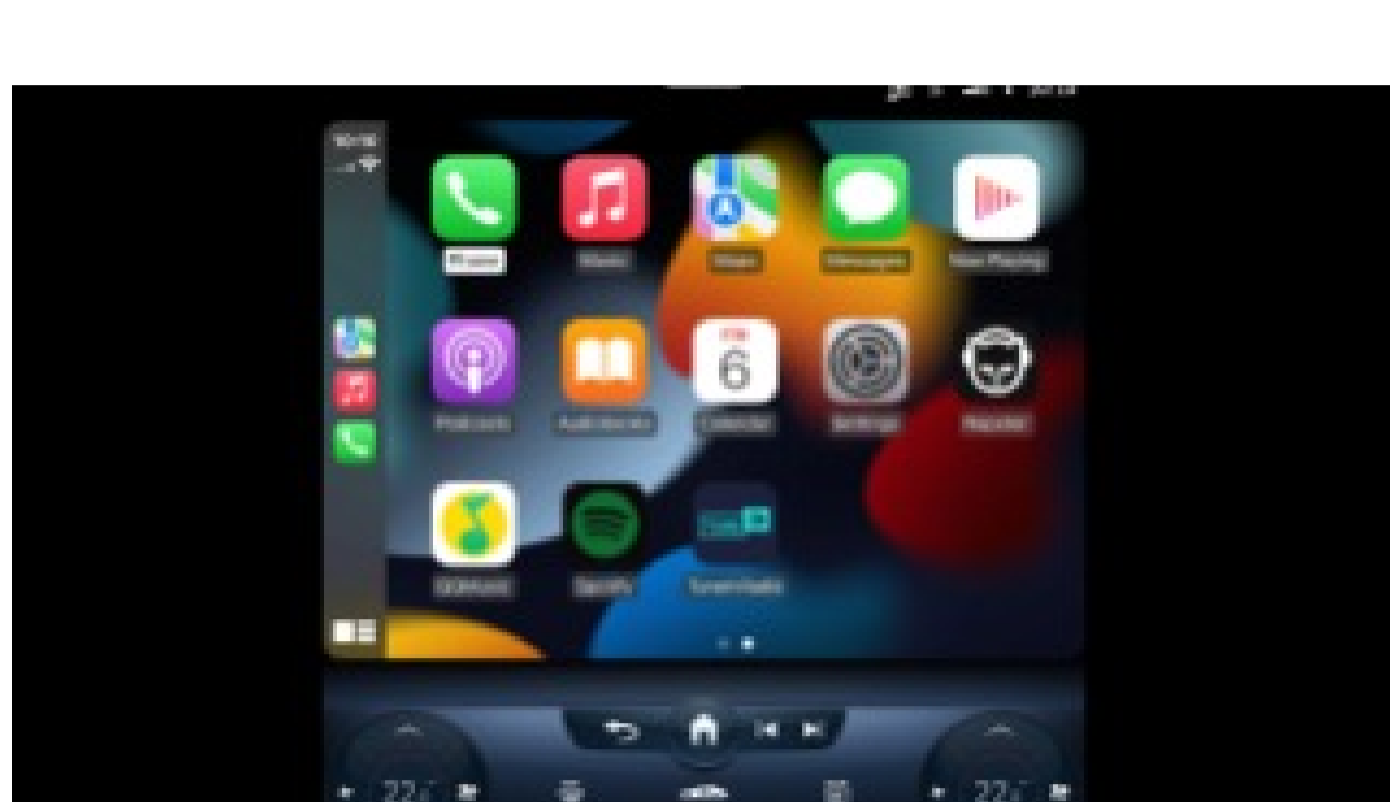


Extended MBUX Functions:

Say "Hey Mercedes", and your MBUX system awaits your commands. Personal profiles, predictive functions and a WiFi hotspot completely redefine the term digital networking

Many forms of interaction and personalization:

- The new GLC now includes the latest generation of MBUX (NTG 7)
- Standard 11.9" Touchscreen Media display in portrait format as a visual highlight
- Up to seven different profiles are possible in the vehicle.
- Alongside entry of the Mercedes me PIN, new biometric and interconnected authentication functions ensure a high level of security. These are fingerprint (standard), and voice recognition (standard).
- New convenience functions include prepositioning of the driver's seat and outside mirrors according to body size
- The voice assistant "Hey Mercedes" listens even more carefully, and understands the occupants even better: "Hey Mercedes" can also be controlled from the passenger seat. Several microphones help to tell the system which seat the voice is coming from.
- "Hey Mercedes" explains functions. The activation keyword "Hey Mercedes" is no longer necessary for certain applications. An incoming call can be taken direct with "Accept call", for example
- The appearance of the screens can be individualized with a choice of display styles
- Key functions such as the lights or windscreen wipers can still be operated directly. The climate control panel is permanently at the lower edge of the display



Features:

- Smartphone Integration connects the mobile phone with the multimedia system wirelessly via Apple CarPlay™ or Android Auto™. This gives you convenient access to the most important apps on your smartphone.

Wireless Smartphone Integration - Apple Carplay, Android Auto (Standard)

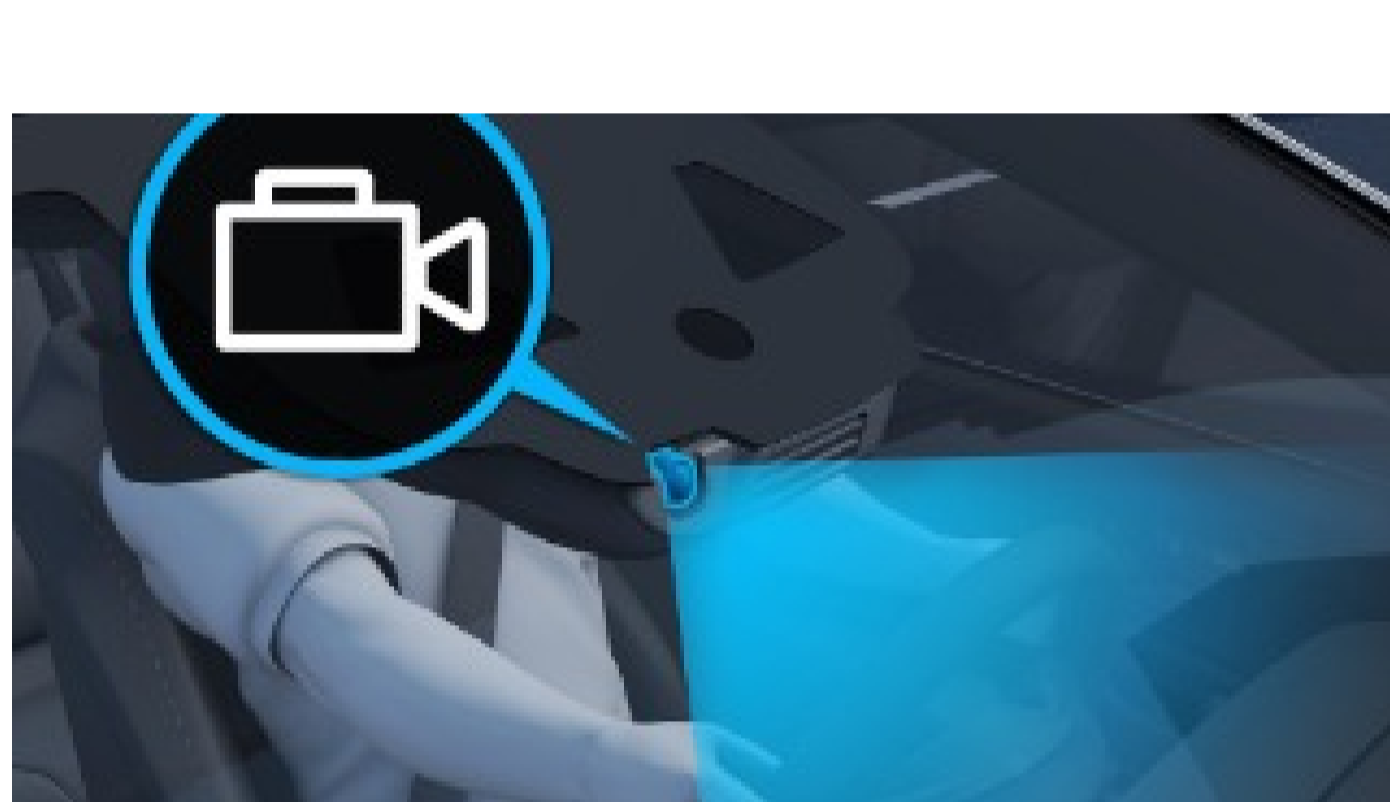
DIGITAL Light - PAX (in DX2)

Features:

- HD system with projection module (more than 1 million pixels per headlamp), which uses data from the camera, sensors and the navigation system to calculate the brightness value for each individual pixel in near real time
- Background module MULTIBEAM LED
- DIGITAL LIGHT projection functions, depending on local approval regulations
 - Projection function for lines (30U), for example as guide lines in roadworks
 - Projection function for symbols (42U), e.g. as a direction symbol for lane correction when departing from the lane
 - Projection function for animations (43U), light shows when opening and closing the vehicle
- Ultra Wide Highbeam with maximum headlamp range close to the maximum legally permitted
- DIGITAL LIGHT projection functions, depending on local approval regulations, currently available with partial scopes in the USA



Dashcam - 21U (Optional - Requires DX2)



The dashcam films and saves what's happening on the road in front of your vehicle – and also records the time and speed. This can help you document the sequence of events in an accident, for example, and provide you with supporting evidence if necessary. Or you can use the dashcam to record landscapes and routes to create your own automotive travel diary.

Components:

- Camera in the windshield
- Recording of videos with a resolution of 1280 x 720 pixels (720p) and a frame rate of 30 Hz
- Additional storage of speed and time embedded in the video signal
- Control menu in the media display
- Footage stored via USB stick using the Media Interface
- Video material can be viewed on a computer or the media display (only possible when vehicle is stationary) - for this the storage media must first be removed from the interface and reconnected

Advanced USB Package - 72B (Optional)



Features:

- Two USB-C ports in the centre console, with fast-charging capability and suitable for data transfer
- Two USB-C ports under the front centre armrest, with fast-charging capability and suitable for data transfer
- Two USB-C ports for the rear on the centre armrest, with fast-charging capability
- Two 12 V sockets, one in the front, one in the rear
- With this package, all 6 USB ports are capable of USB Power Delivery (100W)

Note: The standard USB (75B) offering includes:

- One USB-C port in the center console, suitable for data transfer
- Two USB-C ports under the front centre armrest, suitable for data transfer
- One 12 V socket in the front
- Maximum power for all 3 USB ports is 15W

Driver Assistance Package (DA2) - Requires MB Navigation (PBG) or Pinnacle Trim (DX2)



Features:

- The Driver Assistance Package features Level 2 automated driving. State-of-the-art driving assistance systems support the driver according to the situation in terms of speed adjustment, steering, lane changing and the risk of collision. The risk of accidents is reduced – passengers and other road users are effectively protected.
- Drivers are afforded a great degree of relief in monotonous traffic during lengthy trips, for example, and in bumper-to-bumper driving or traffic jams as well as before curves, roundabouts, T-junctions and the end of traffic jams, etc.
- The fusion of different radar, ultrasound and camera sensors, map and navigation data, and live traffic information gives the customer more functionality compared to standard/individual functions.

The Driver Assistance Package Includes:

- Active Distance Assist DISTRONIC
- Active Speed Limit Assist with response to changing speed limits
- Active Stop-and-Go Assist
- Extended automatic restarting
- Route-based speed adaptation
- Active Steering Assist
- Active Lane Change Assist
- Active Emergency Stop Assist
- Evasive Steering Assist
- Active Blind Spot Assist with exit warning
- Active Brake Assist with turning and cross-traffic function
- End-of-Traffic Emergency Braking
- PRE-SAFE® PLUS
- PRE-SAFE® Impulse Side

Transparent Hood



When the off-road mode is active, the central display shows a virtual view under the front of the vehicle, including the front wheels and their steering position. The view is composed of the images from the 360-degree camera. There are two views: under the vehicle and looking ahead. At speeds up to 5 mph the "transparent hood", i.e. the view under the vehicle, is shown. From 5 to 12 mph the system shows the view ahead. The camera image is switched off at higher speeds.

AMG DYNAMIC PLUS Package

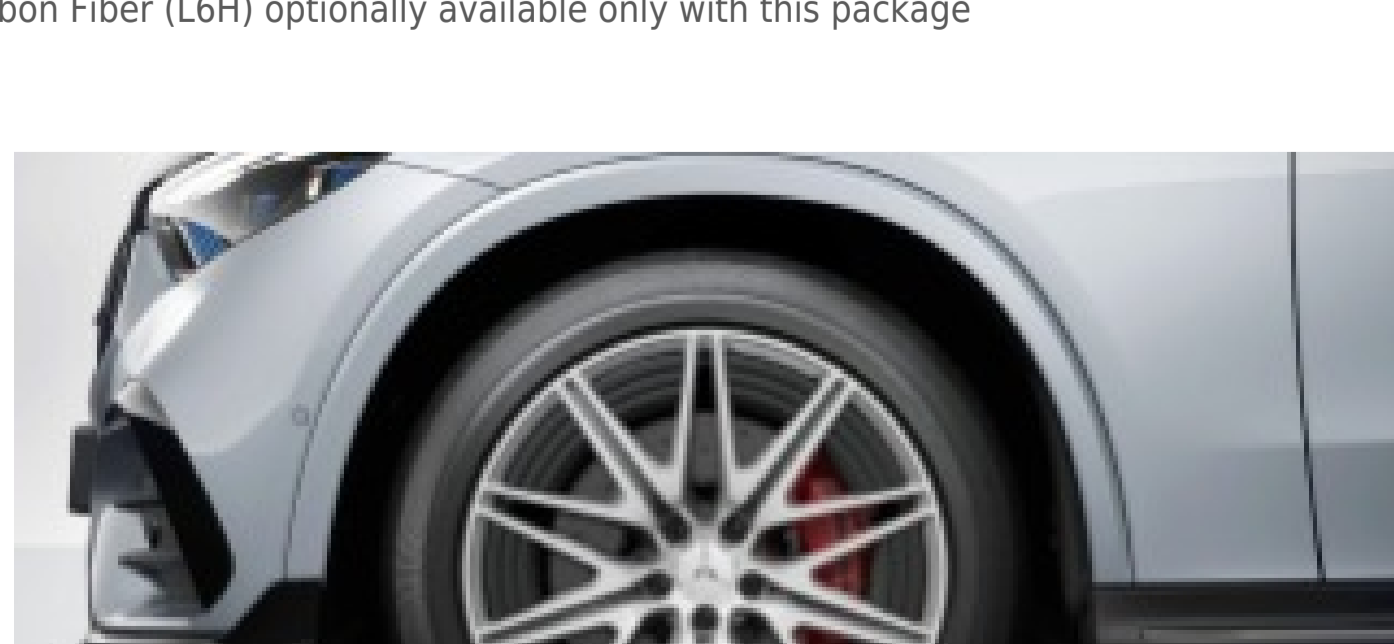
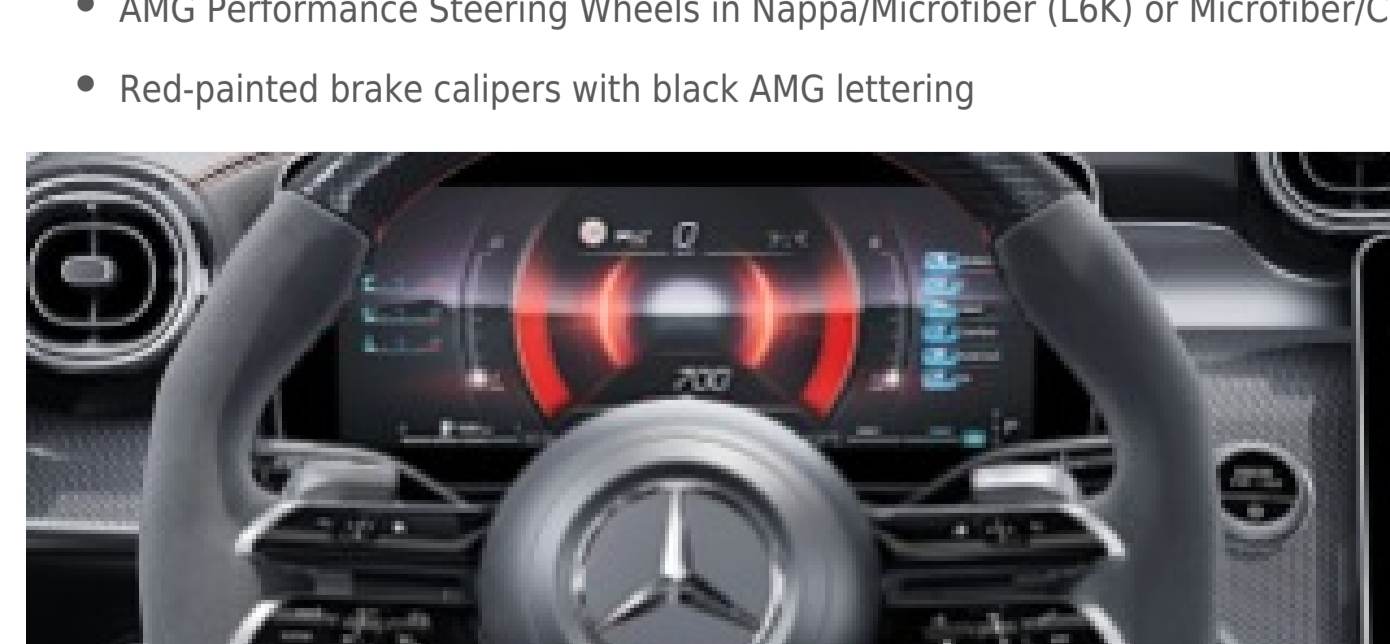
With the AMG DYNAMIC PLUS package, you can be sure of a noticeable and visible plus in sportiness. Selected high-performance components effectively enhance the car's dynamic character. The result is a driving experience reminiscent of motorsport.

The dynamic AMG engine mounts solve the conflict of aims between an engine mounting which is as soft as possible for high comfort and one which is hard for superior driving dynamics. They ensure the best possible connection of the engine to the body in every driving situation. The "RACE" driving program offers track-ready performance with maximum sportiness.

In the interior, an AMG Performance steering wheel of your choice rounds off the package with sporty elegance, giving you a firm grip on the potential of your vehicle. Thanks to the AMG steering wheel buttons, you can operate the dynamic driving functions as quickly and unerringly as an experienced racing driver.

Components

- AMG DYNAMIC SELECT "RACE" drive program
- AMG dynamic engine mounts
- AMG Performance Steering Wheels in Nappa/Microfiber (L6K) or Microfiber/Carbon Fiber (L6H) optionally available only with this package
- Red-painted brake calipers with black AMG lettering



Gallery