

AMG GLE SUV



V167

Model Year 2021

Preliminary – Subject to Change

AMG
DRIVING PERFORMANCE

Important note

The information presented in this guide is based on the most current information available and is intended for internal use only. Mercedes-Benz reserves the right to make changes at any time, without notice, to colors, materials, equipment, special specifications and models.

Pricing may not yet be finalized for some models or options.

Due to variances among monitors and printers the colors that appear on your screen and printouts may not be exact.

For illustrative purposes, some images may show vehicles with European Specification.

Revision History

<i>Date</i>	<i>Changes</i>
	Preliminary draft of DOG

GLE 53 & GLE 63 S



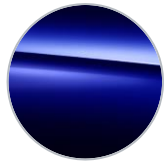
Models



What's new



Standard Equipment



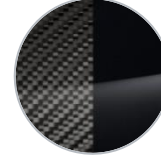
Exterior Paint Colors



Wheels



Interior Upholstery



Interior Trims



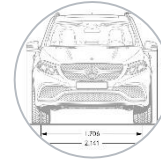
Option Packages



Stand-Alone Options



Options in Detail



Specifications



GLE 53 (167.161)

- MSRP \$TBD
- AMG-Enhanced 3.0L Inline-6 Turbo engine with EQ Boost
- 429 hp (+21 hp)
- 384 lb-ft (+184 lb-ft)
- 5.2 sec est (0-60 mph)
- Launch Date Mid-2020



GLE 63 S (167.189)

- MSRP \$TBD
- Handcrafted AMG 4.0L V8 biturbo engine with EQ Boost
- 603 hp (+21 hp)
- 627 lb-ft (+184 lb-ft)
- 3.7 sec est (0-60 mph)
- Launch Date Mid-2020

Exterior

- AMG-specific radiator grille with AMG logo and vertical lamellas in high-gloss chrome
- Emotional and dynamic design
- AMG side skirts vehicle color
- Exterior mirror casings in vehicle color
- Window frames in high gloss chrome
- Four double-round tailpipes in high gloss chrome (*GLE 53*)
- “TURBO 4MATIC+” badging on front wings (*GLE 53*)
- Two cornered twin tailpipes in high-gloss chrome (*GLE 63 S*)
- “V8 BITURBO 4MATIC+” badging on front wings (*GLE 63 S*)
- Hood with demonstrative power domes
- Spoiler lip on roof
- New: large 20-22” wheels
- AMG lettering on brake calipers
- Air intakes in the AMG front apron with fins in silver chrome
- New exterior paint colors
- Active Dynamic Engine Mounts (*GLE 63 S*)
- Electronic Locking Differential (*GLE 63 S*)

Interior

- Progressive all-new SUV interior design
- New AMG Performance Steering wheels with touch controllers
- Instrument cluster with AMG specific design and specific AMG functions
- MBUX User Interface
- NFC Wireless Charging
- 12.3” Digital Instrument Cluster
- 12.3” Media Display with Touchscreen
- Touchpad in Center Console
- 5 USBs Type-C (3 in front, 2 in rear)
- New trim options
- Two dominant grab handles on the center console
- SUV-specific storage compartments

Mercedes-Benz User Experience (MBUX)

MBUX - the newest head unit generation from Mercedes-Benz

Standard on all GLE SUV models

- Offered with two 12.3" digital displays as standard equipment
- MBUX was designed for a touch interface with intuitive operation
- There are four ways of interacting with the system:
 - An all-new Touchpad, Touch Control Buttons on the steering wheel, a touchscreen center display, and an all-new generation of Voice Control
- Multiple users can set up Profiles which save their settings for future use
 - Including: seat settings, music preferences and radio settings, phone settings, themes/moods, Bluetooth connections, etc.
- Over time, the system learns more about it's owners and creates Suggestions based on past behavior of the user
- Whole groups of settings can be saved together in the form of a Theme/Mood
 - Including: ambient lighting, climate control, music preferences, and setup of the Digital Instrument Cluster and head unit display, etc.
- Using over-the-air updates, MBUX can continuously be improved over time
- The system is very quick and responsive due to it's impressive graphics processing and computing power

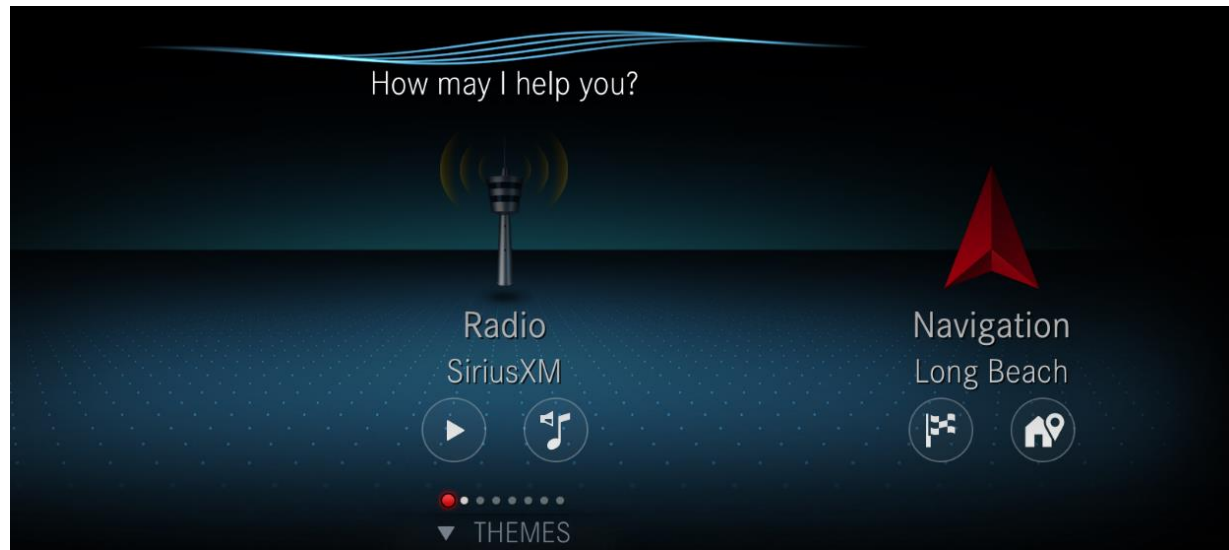


Voice Control

The most advanced Voice Control in any Mercedes-Benz vehicle

Standard on all GLE SUV models

- Voice Control with MBUX is greatly enhanced over other systems by using both an onboard and offboard system for voice recognition
 - This ensures quick and appropriate responses
- The system also uses Natural Language Understanding so there's no need to remember the order of words for a specific command, just talk to the voice assistant as you would speak to another person
 - There are many ways of saying the same thing: *"Take me to Starbucks"*, or *"Find a Starbucks nearby"*, or *"Is there a Starbucks close?"*, or even *"I need a coffee"*
- Indirect commands can also be given like *"Will I need an umbrella today?"* and the Voice Control system understands that the user is really asking whether it will rain today
- In-vehicle components can also be controlled via Voice Control, like seat heating, climate control, ambient lighting, massage programs, and even the sunshade for the Panorama roof
- Voice Control is also capable of learning from its users and adjusting its understanding to their specific way of speaking
- Keyword Activation ensures you can quickly interact with Voice Control without having to press the button on the steering wheel
 - The system wakes up with a simple *"Hey Mercedes"* or *"Hi Mercedes"*



Touchpad controller (448)



Touchpad controller (448)

Standard on all GLE SUV models

The functions of MBUX can be controlled intuitively via the innovative touchpad, using single or multi-finger gestures (multi-touch):

- Touchpad approx. 3.35 x 3.54 inches in size
- Additional full-fledged input option supplementing the central controller, Touch Control Buttons on the steering wheel and voice control
- Recognizes single and multi-finger gestures (multi-touch), swiping movements and zoom gestures achieved by spreading the fingers or pinching them together
- Innovative handwriting recognition feature: Users are able to input letters, special characters and numbers in their normal handwriting, in any language available in the headunit
- 3 buttons located on the touchpad allow fast and direct operation of important functions
- Clear haptic feedback when using the touchpad or keys

Head-Up Display (463)



Head-Up Display (463)

Included in MBUX Technology Package (DA0PKG)

The Head-Up Display at a glance:

- Key driver information at a glance (e.g. speed, speed limits, navigation prompts, warnings or settings for the driving assistance systems) without the driver having to take their eyes off the road
- Projection of a virtual image measuring approx. 9.45" x 3.15" into the driver's field of vision
- Presentation of information in high-resolution and in color, making it clearly legible even on sunny days and at night
- Height position of the image, brightness and displayed content can be changed individually via a menu in the instrument cluster and can be stored conveniently via the optional memory function for the driver's seat

Ambient lighting with 64 colors



Ambient lighting with 64 colors (876)

Standard on all AMG GLE SUV models

Showcase the interior according to your personal preferences or current mood. With a total of 64 colors, the ambient lighting gives you almost unlimited scope for lighting schemes, and has the right color available for any situation. Additional light elements in white help to ensure good orientation.

- All colors can be individually selected
- Brightness of the illumination zones can be freely selected between 0 and 100%
- Nine color schemes with different color combinations
- Dynamic mode: atmospheric color changes thanks to slow, seamless transition between different colors
- Climate effect: feedback in color when changing the temperature setting
- Welcome effect: special light display when getting into the vehicle
- Incorporation of ambient lighting into the programs of the ENERGIZING comfort control, in conj. with ENERGIZING package Plus
- Illuminated door sill panels with “Mercedes-Benz” lettering

ENERGIZING Package Plus (DB8PKG)



ENERGIZING Package Plus (DB8PKG)

Option Price: \$2,100

Requires Warmth and Comfort Package (DB0PKG)

The ENERGIZING package Plus is a new feature – it offers ultimate comfort for all the senses. To this end, a maximum of premium features are combined with innovative intelligence.

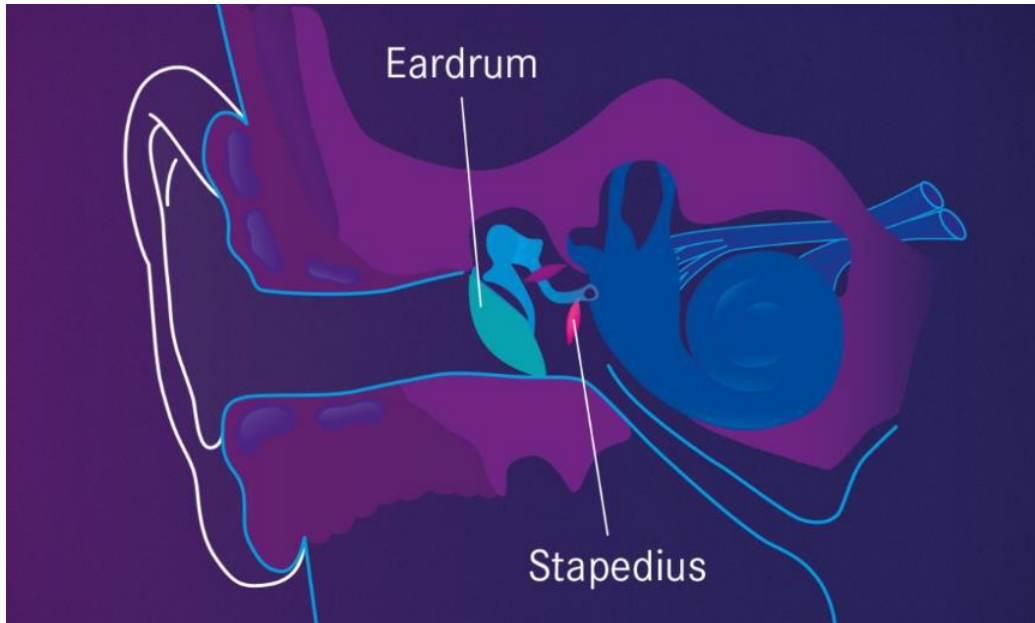
The exciting result: your Mercedes can vitalize and pamper you in specific ways. For prolonged alertness at the wheel and a very pleasant drive.

Programs

- The "Refresh" program brings a breath of fresh air on board – an intense airflow and activation of the seat ventilation create a revitalizing atmosphere
- "Vitality" gives you new energy – e.g. by including lively music
- Cozy relaxation is the purpose of "Warmth", which activates the seat heating
- If you opt for "Joy", the focus is on an invigorating massage with wave-like lumbar movements
- Your seats also please you in the "Comfort" program – in this program you can enjoy both seat heating and a beneficial hot-stone massage with a pulsating lumbar effect
- "Training", on the other hand, is active rather than passive: you can put intermediate breaks to good use with exercise

Additional functionality with Garmin® wearables (Smartwatch/Fitness Trackers)

PRE-SAFE Sound



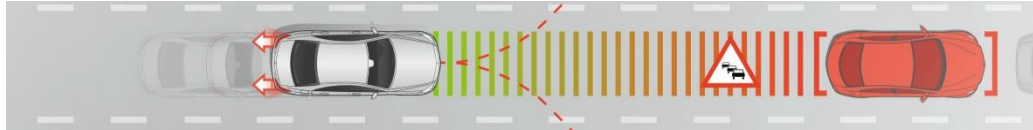
PRE-SAFE® Sound

Standard on all GLE SUV models

Part of PRE-SAFE, PRE-SAFE Sound is an acoustic occupant preconditioning system which can reduce the effects of the noise from an accident on the occupants hearing.

- When the PRE-SAFE system recognizes a certain dangerous situation, the onboard sound system plays a brief rushing sound, also known as 'Pink Noise', to precondition the hearing
- The natural reflex mechanism of the stapedius muscle enables the inner ear to rapidly prepare for the accident-induced high pressure sound
- Up to 40% reduction of noise exposure impact

Active Brake Assist

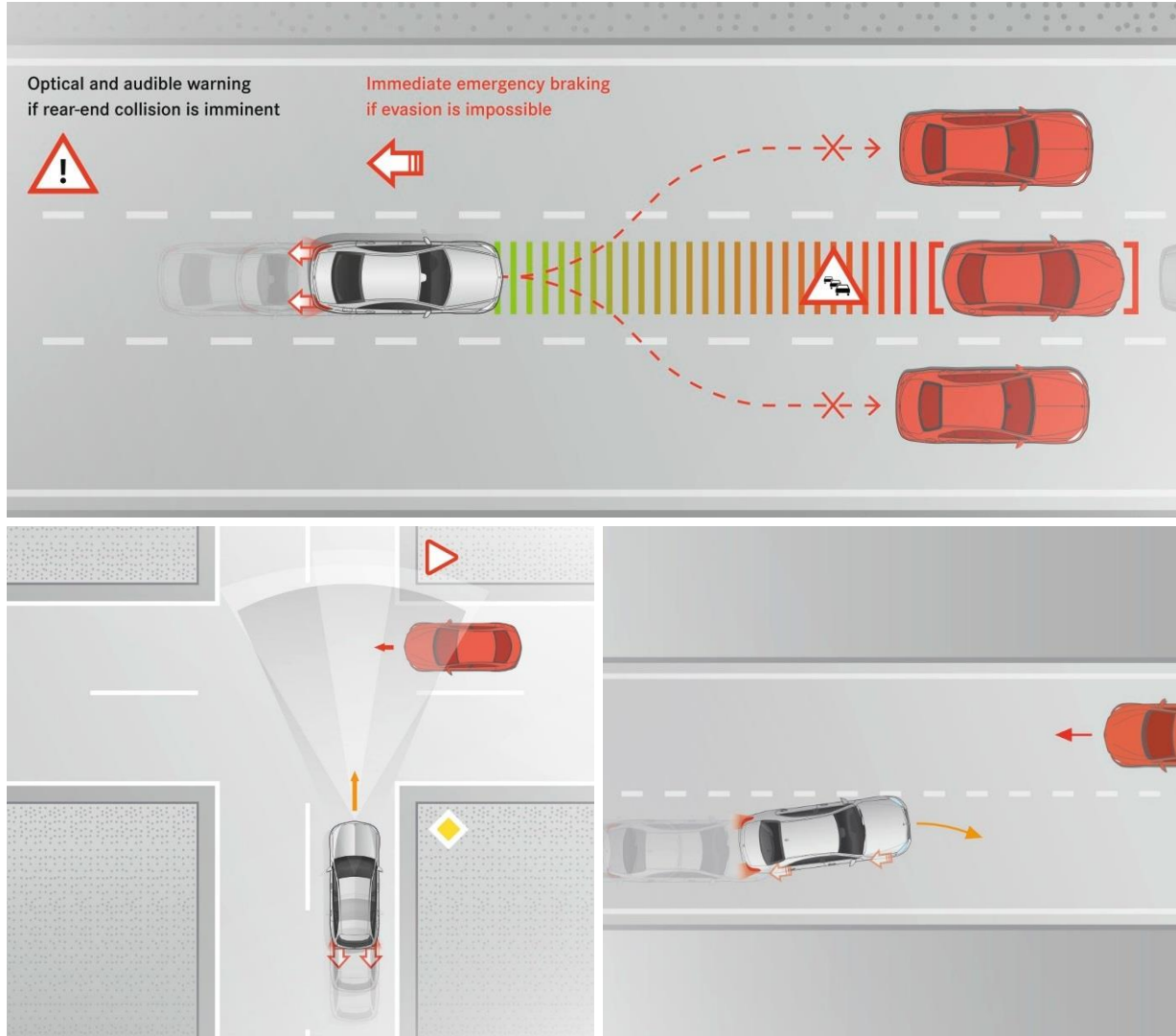


Active Brake Assist (258)

Standard on all GLE models

- Radar-based driving assistance system that can help prevent accidents with vehicles ahead and with crossing pedestrians or mitigate the consequences of accidents
- Combination of proximity warning, collision warning, on-demand braking assistance and autonomous braking function
- Additional audible warning if the distance diminishes rapidly
- If the driver initiates emergency braking – if necessary – increase in braking pressure by the on-demand braking assistance
- Initiation of autonomous braking if the driver fails to react
- Visual and audible warning plus almost simultaneous emergency braking if an impending collision with a crossing pedestrian is detected

Driver Assistance Package PLUS



Driver Assistance Package PLUS (DA2PKG)

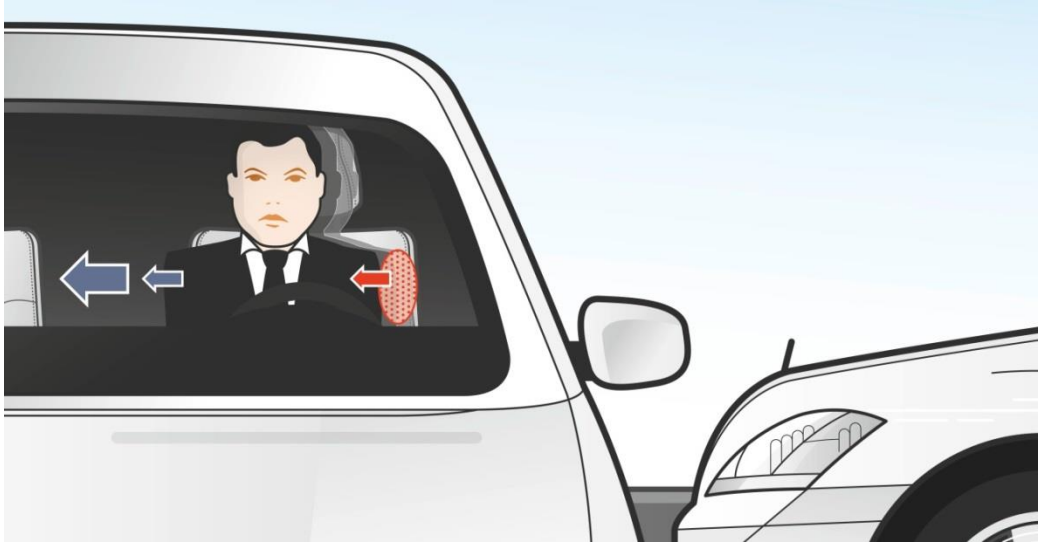
Option price: \$2,250

Requires Multicontour front seats (399) or Energizing Comfort Package (DB8)

Latest-generation of our Advanced Driver Assistance System: the enhanced intelligent hands-off detection includes sensing via the Touch Control Buttons and is sensitive to specific conditions and can be activated at a wide range of speeds.

- **Active Stop-and-Go Assist** see next slide
- **Active Distance Assist DISTRONIC®**
- **Active Steering Assist** can now actively intervene even if road lines are unclear or non-existent at certain speeds; it can now also function in curves with a tighter radius
- **Active Emergency Stop Assist** is able to brake the vehicle to a standstill in its lane if it detects that the driver is no longer actively driving the vehicle while it is on the move with Active Distance Assist DISTRONIC® and Active Steering Assist engaged. It can now unlock the doors when the vehicle is stationary to allow first responders immediate access to the vehicle's interior
- **Active Lane Change Assist** is a radar-and-camera-based system that aids the driver when changing lanes. When a turn is indicated, this feature will aid with steering into the adjacent lane if it detects the lane is empty
- **Active Speed Limit Assist** can adapt vehicle speed to identified speed limits and can now adjust preemptively when speed limits are going to change
- **Route-Based Speed Adaptation** is able to reduce the speed in anticipatory mode by referencing the vehicle's map data ahead of bends, junctions, roundabouts, toll booths and exit ramps
- **Active Brake Assist with Cross-Traffic Function**
- **Evasive Steering Assist** this system assists by adding calculated steering torque to aid in steering wheel movement when a driver deliberately or instinctively performs an evasive maneuver around a pedestrian
- **Active Blind Spot Assist** helps the driver to avoid an imminent side impact by single-sided braking
- **Active Lane Keeping Assist**
- **PRE-SAFE® Impulse Side** see next slide

Driver Assistance Package Highlights



Mercedes-Benz Intelligent Drive – PRE-SAFE® Impulse Side

Included in Driver Assistance Package (DA2PKG)

- PRE-SAFE® Impulse Side initiates preventative protective measures against an impending side impact, supplementing the measures taken by PRE-SAFE® and PRE-SAFE® PLUS
- In the event of a side impact, PRE-SAFE® Impulse Side can have a positive effect by increasing the distance between the occupant and the door, and at the same time reducing the relative speeds between the side structure and the occupant's torso
- In the event of a recognized, unavoidable side collision, the system can give the driver or front passenger a slight push towards the center of the vehicle on the side facing the impact
- This lateral impulse is initiated by very rapid inflation of an air chamber in the seat bolster

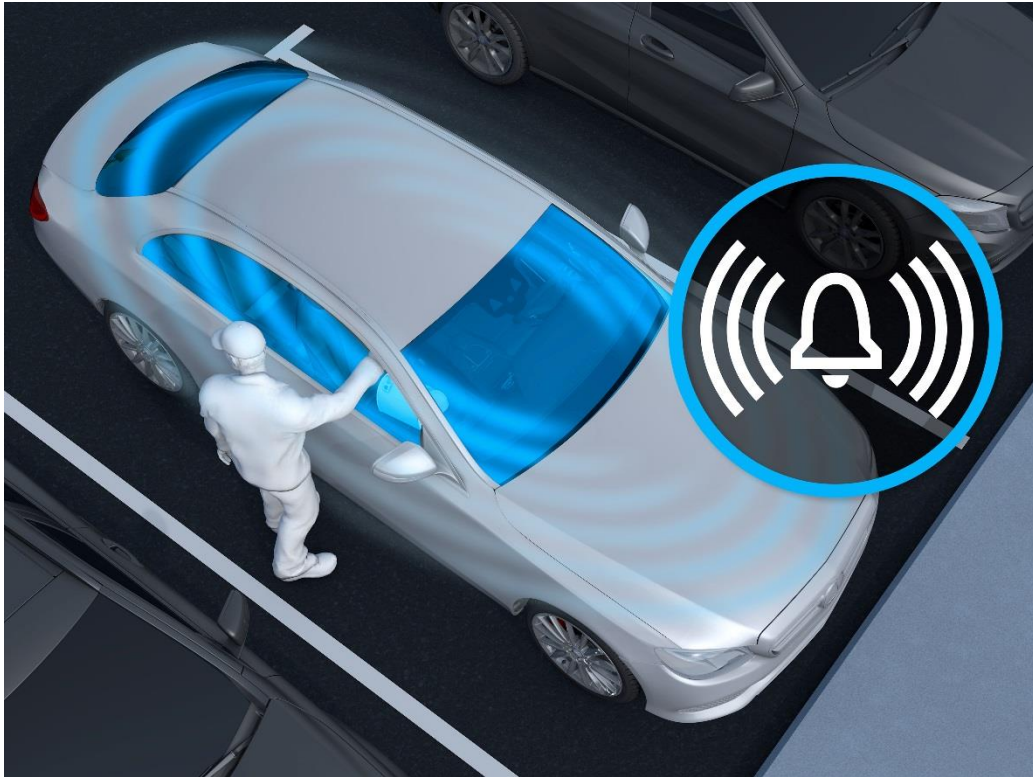


Mercedes-Benz Active Stop-and-Go Assist

Included in Driver Assistance Package (DA2PKG)

- Enables the GLE to recognize traffic jams at an early stage, actively supporting the driver in stop-and-go traffic up to approx. 37 mph

Advanced Alarm System and Parking Damage Detection (Codes: 551, 852, and 08U)



Standard Equipment

This system combines a number of security features that improve protection for both your vehicle and any valuables in the interior. It gives an audible and visual warning when it detects a break-in, attempted theft, interior motion, unauthorized towing, and even damage while the vehicle is parked.

An alert is then also sent to your mobile device for quick response. From the Mercedes me connect app, the user is made aware of the issue and is even able to turn off the alarm. Once back in the vehicle, a notification on the central display will detail what issue was detected.

1. The Advanced Alarm System is able to recognize unauthorized attempts to open the vehicle doors or trunk, along with detecting any motion inside the vehicle. The integrated tow-away protection is activated as soon as a change in the vehicle's position is detected and an alarm is triggered in this case as well.
 - The vehicles interior is monitored via an ultrasound sensor located in the overhead control unit which will detect movement within the vehicle once the alarm is active (after the vehicle is locked)
 - Contact sensors located in the vehicle's doors and trunk lid will detect any unauthorized access to the vehicle, triggering an alarm and a notification via the Mercedes me connect app and in the headunit
 - Notifications are sent to the Mmc app when doors/trunk/hood are opened, movement is detected inside vehicle, or towing sensors are triggered

2. Parking Damage Detection can identify potential damages to a parked vehicle by measuring impacts with a accelerometer located in the overhead control unit. The customer will be notified about damage events through the Mercedes me connect app as well as in the central display once back in the vehicle.
 - The trigger levels can be detected in different levels: minor, moderate, etc.
 - The system is active when the vehicle is at a standstill and locked
 - Notifications are sent to the Mmc app when parking damage is detected
 - Once back inside the vehicle, a notification will ask the user if the damage is severe enough to need assistance from the CAC

Performance & Handling

- AMG-Enhanced 3.0L I6 Turbo engine (GLE 53)
- Handcrafted AMG 4.0L V8 biturbo engine (GLE 63 S)
- EQ Boost Starter-Alternator
- Handcrafted AMG 4.0L V8 biturbo Engine (GLE 63 S)
- AMG SPEEDSHIFT TCT 9-speed automatic transmission
- AMG DYNAMIC SELECT
- AMG Performance 4MATIC+® all-wheel drive
- AMG RIDE CONTROL+ Suspension based on AIRMATIC (GLE 53)
- AMG ACTIVE RIDE CONTROL Suspension based on AMG RIDE CONTROL+
- Adaptive Damping Plus
- Active Dynamic Engine Mounts (GLE 63 S)
- Electronic Locking Differential (GLE 63 S)
- ACTIVE CURVE SYSTEM (GLE 63 S)
- AMG High-Performance Braking System (GLE 63 S)
- 20" AMG Wheels with High-Performance Summer Tires (GLE 53)
- 21" AMG Wheels with High-Performance Summer Tires (GLE 63 S)

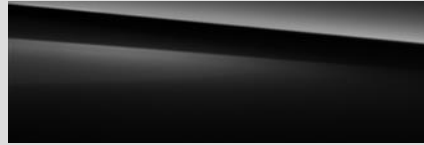
Comfort & Convenience

- KEYLESS START, KEYLESS-GO and HANDS-FREE ACCESS
- AMG Performance Steering wheels with touch controllers
- Touchpad in center console
- MBUX User Interface
- Smartphone Integration
- Apple CarPlay™ & Android Auto
- 12.3" Digital Instrument Cluster
- 12.3" Touchscreen Media Display
- 64 Color Ambient Lighting
- 115V Power Outlet
- 5 USBs (3 in front, 2 in rear)
- Mercedes Me Connect
- MB Navigation w/ Live Traffic and Map Updates for 3 years
- Active Parking Assist
- Heated Front Seats (GLE 53)
- Heated and Ventilated Front Seats (GLE 63 S)
- Power Front Seats with 4-Way Lumbar Support and Memory
- Dual Zone Climate Control
- Power Liftgate
- Burmester® Surround Sound System
- SiriusXM Radio
- NFC Wireless Charging

Safety & Security

- ATTENTION ASSIST®
- Blind Spot Assist
- Rearview Camera (GLE 53)
- Surround View System (GLE 63 S)
- Active Lane Keeping Assist
- Active Brake Assist
- Power folding Mirrors, Auto-dimming Driver and Rearview Mirrors
- PRE-SAFE®
- eCall-Emergency System
- Anti-Theft Alarm System

Non-metallic Paints

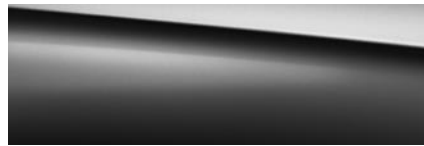


040U
Black
Option price: \$0

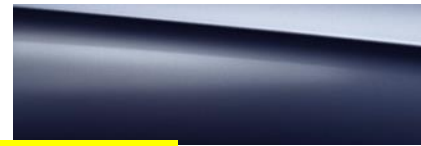


149U
Polar White
Option price: \$0

Metallic Paints



197U
Obsidian Black
Option price: \$720



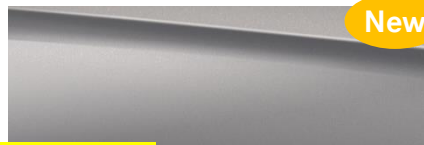
Delayed Availability 890U
Lunar Blue
Option price: \$720



Delayed Availability 775U
Iridium Silver
Option price: \$720



Delayed Availability 989U
Emerald Green
Option price: \$720



Delayed Availability 859U
Mojave Silver
Option price: \$720



Delayed Availability 896U
Brilliant Blue
Option price: \$720



992U
Selenite Grey
Option price: \$720

designo[®] Paints



799U
Diamond White Metallic
Option price: \$1,515



996U
Cardinal Red Metallic
Option price: \$1,080



RZV
20" AMG 5-Spoke Wheel
Option price: \$0
Standard GLE 53



RZW
20" AMG 5-Spoke Wheel, Black
Option price: \$500
GLE 53



RRP
20" AMG 10-Spoke Wheel
Option price: \$0
GLE 53



RWD
21" AMG Twin 5-Spoke Wheel
Option price: **\$TBD GLE 53**
Option price: \$0 *GLE 63 S*
Standard GLE 63 S



RWE
21" AMG Twin 5-Spoke Wheel,
Matte Black
Option price: **\$TBD GLE 53**
Option price: \$500 *GLE 63 S*



RXU
22" AMG Cross-Spoke Wheel
Option price: **\$TBD GLE 53**
Option price: **\$TBD GLE 63 S**



RXV
22" AMG Cross-Spoke Wheel,
Matte Black
Option price: **\$TBD GLE 53**
Option price: **\$TBD GLE 63 S**

<i>Code</i>	<i>Wheel Size</i>	<i>Description</i>	<i>Wheel Dimensions</i>	<i>Mobility</i>	<i>Availability</i>	<i>MSRP</i>
RZV	20"	AMG 5-Spoke Wheel	275/50 R20 on 9 J x 20 ET 57 (front) 275/50 R20 on 9 J x 20 ET 44 (rear)	R01, 669	GLE 53	\$ 0
RZW	20"	AMG 5-Spoke Wheel, Black	275/50 R20 on 9 J x 20 ET 57 (front) 275/50 R20 on 9 J x 20 ET 44 (rear)	R01, 669	GLE 53	\$ 500
RRP	20"	AMG 10-Spoke Wheel	275/50 R20 on 9.5 J x 20 ET 57 (front) 275/50 R20 on 9.5 J x 20 ET 45 (rear)	R01, 669	GLE 53	\$ 0
RWD	21"	AMG Twin 5-Spoke Wheel	275/45 R 21 on 10 J x 21 ET51 (front) 315/40 R 21 on 11 J x 21 ET47 (rear)	R02, 669 R01, 669	GLE 53 GLE 63 S	\$ tbd Std
RWE	21"	AMG Twin 5-Spoke Wheel, Matte Black	275/45 R 21 on 10 J x 21 ET51 (front) 315/40 R 21 on 11 J x 21 ET47 (rear)	R02, 669 R01, 669	GLE 53 GLE 63 S	\$ tbd \$ 500
RXU	22"	AMG Cross-Spoke Wheel	285/40 R 22 on 10 J x 22 ET55 (front) 325/35 R 22 on 11 J x 22 ET53 (rear)	R01, 669	GLE 53 GLE 63 S	\$ tbd \$ tbd
RXV	22"	AMG Cross-Spoke Wheel, Matte Black	285/40 R 22 on 10 J x 22 ET56 (front) 325/35 R 22 on 11 J x 22 ET52 (rear)	R01, 669	GLE 53 GLE 63 S	\$ tbd \$ tbd

IMPORTANT NOTE:

If Bang & Olufsen BeoSound System Package (811Pkg) is selected, the spare wheel option will automatically be replaced by TIREFIT (B51).



651
Black

w/ Red Contrast Topstitching

Option price: \$0

GLE 53 Only

Contains Y05 Red Seatbelts and U08 MB-TEX Upper Dash

Interior Upholstery – Nappa Leather



851
Black

*Option price: \$1,620
GLE 53 Only*

Requires U09 MB-Tex Dashboard and Door Panels



854
Tartufo Brown / Black
*Option price: \$1,620
GLE 53 Only*

Requires U09 MB-Tex Dashboard and Door Panels



**Delayed Availability
May through Jan
production**

855
Macchiato Beige / Black
*Option price: \$1,620
GLE 53 Only*

Requires U09 MB-Tex Dashboard and Door Panels



857
Classic Red / Black
*Option price: \$1,620
GLE 53 Only*

Requires U09 MB-Tex Dashboard and Door Panels

Interior Upholstery – Exclusive Nappa Leather



551

Black

GLE 53 Option price: \$tbd

GLE 63 S Option price: \$0

Requires U38 Nappa Leather Dashboard and Door Panels



554

Tartufo Brown / Black

GLE 53 Option price: \$tbd

GLE 63 S Option price: \$0

Requires U38 Nappa Leather Dashboard and Door Panels



555

Macchiato Beige / Black

GLE 53 Option price: \$tbd

GLE 63 S Option price: \$0

Requires U38 Nappa Leather Dashboard and Door Panels



557

Classic Red / Black

GLE 53 Option price: \$tbd

GLE 63 S Option price: \$0

Requires U38 Nappa Leather Dashboard and Door Panels



561

Magma Grey / Black with Diamond Stitching

GLE 53 Option price: \$tbd

GLE 63 S Option price: \$0

Requires U38 Nappa Leather Dashboard and Door Panels



571

Black with Grey Accents

Option price: \$0

GLE 63 S Only

Requires U38 Nappa Leather Dashboard and Door Panels

<i>Code</i>	<i>Upholstery</i>	<i>Floor Mats</i>	<i>Arm Rest</i>	<i>Upper Dash/Lower Dash</i>	<i>Seat Belts</i>	<i>Steering Wheel</i>	<i>Headliner</i>
651	Black MB-Tex w/ Red Topstitching	Black	Black	Black/Black	Red	Black	Black
851	Black Nappa Leather	Black	Black	Black/Black	Black	Black	Black
854	Tartufo Brown / Black Nappa Leather	Black	Tartufo Brown	Black/Black	Black	Black	Black
855	Macchiato Beige / Black Nappa Leather	Black	Macchiato Beige	Black/Macchiato Beige	Macchiato Beige	Black	Black
857	Classic Red / Black Nappa Leather	Black	Classic Red	Black/Black	Black	Black	Black
551	Black Exclusive Nappa Leather	Black	Black	Black/Black	Black	Black	Black
554	Tartufo Brown / Black Exclusive Nappa Leather	Black	Tartufo Brown	Black/Black	Black	Black	Black
555	Macchiato Beige / Black Exclusive Nappa Leather	Black	Macchiato Beige	Black/Macchiato Beige	Macchiato Beige	Black	Black
557	Classic Red / Black Exclusive Nappa Leather	Black	Classic Red	Black/Black	Black	Black	Black
561	Magma Grey / Black Exclusive Leather	Black	Black	Magma Grey/Black	Black	Black	Black
571	Black Exclusive Nappa leather w/ Grey Topstitching	Black	Black	Black/Black	Black	Black	Black



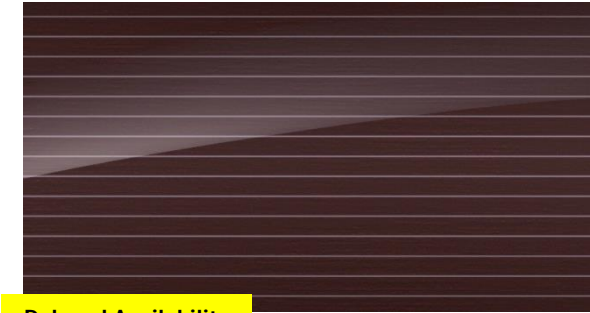
H18
High-Gloss Grey Linden
Option price: \$0



H22
Natural Grain Brown Walnut
Option price GLE 53: *\$tbd*
Option price GLE 63 S: *\$tbd*



H31
Natural Grain Grey Oak
Option price GLE 53: *\$tbd*
Option price GLE 63 S: *\$tbd*



Delayed Availability

H34
designo® Brown Linden Wood Flowing Lines
Option price GLE 53: *\$tbd*
Option price GLE 63 S: *\$tbd*



Delayed Availability

H35
designo® Black Flamed Open-Pore Ash Wood
Option price GLE 53: *\$tbd*
Option price GLE 63 S: *\$tbd*

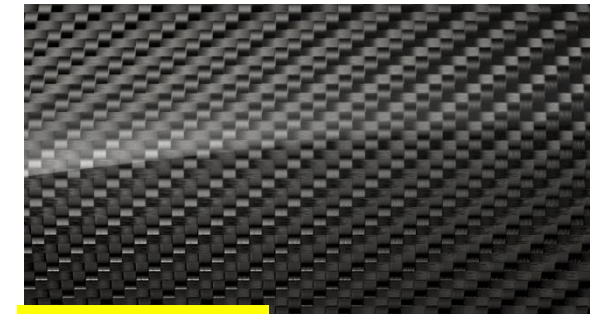


H46
Aluminum with Longitudinal Grain
Option price: \$0



Delayed Availability

H64
Metal Weave
Option price: *\$tbd*



Delayed Availability

H86
AMG Carbon Fiber Trim
Option price: *\$tbd*

<i>Code</i>	<i>Packages</i>	<i>Availability</i>	<i>MSRP</i>
DP1	<p>Premium Package <i>Standard on all models</i></p> <ul style="list-style-type: none"> ▪ U80 – 115V power outlet ▪ 536 – SiriusXM Radio ▪ 810 – Burmester® Surround Sound System ▪ 876 – Ambient Lighting with 64 colors ▪ 897 – Wireless Charging 	All Models	\$ Std
DA2	<p>Driver Assistance Package PLUS <i>Requires Multicontour Seats (399) or Energizing Comfort Package (DB8)</i></p> <ul style="list-style-type: none"> • P20 – Driver Assistance Package PLUS <ul style="list-style-type: none"> ▪ Active Stop-and-Go Assist ▪ 233 – Active Distance Assist DISTRONIC® ▪ 266 – Active Steering Assist ▪ Active Emergency Stop Assist ▪ Active Lane Change Assist ▪ 546 – Active Speed Limit Assist ▪ Route-Based Speed Adaptation ▪ Active Brake Assist with Cross-Traffic Function ▪ Evasive Steering Assist ▪ Active Blind Spot Assist ▪ Active Lane Keeping Assist ▪ 292 – PRE-SAFE® Impulse Side ▪ 513 – Traffic Sign Assist 	All Models	\$ 2,250
DA3	<p>Parking Assistance Package <i>Standard on GLE 63 S</i></p> <ul style="list-style-type: none"> ▪ P47 – Parking Assistance Package Code ▪ 501 – Surround View System 	GLE 53	\$ 400

<i>Code</i>	<i>Packages</i>	<i>Availability</i>	<i>MSRP</i>
DB4	<p>3rd Row Seat Package <i>Includes Runflat Tires (R66) 20" wheels</i> <i>Includes Tire fit (B51) with 21" wheels</i></p> <ul style="list-style-type: none"> ▪ 847 – 3rd Row Seat ▪ 567 – Power 2nd Row Seat 	GLE 53	\$ 2,100
DA4	<p>Exterior Lighting Package</p> <ul style="list-style-type: none"> ▪ 640 – LED Intelligent Light System ▪ 608 – Adaptive Highbeam Assist 	GLE 53	\$ 900
DC1	<p>Night Package</p> <ul style="list-style-type: none"> ▪ P60 – Night Package <p>Includes Trim on A-wing, Trim on rear apron, Tailpipes, Front Splitter, Window Frames, Heat-insulating dark-tinted glass, railing in High-Gloss Black</p> <ul style="list-style-type: none"> • Must Choose One of: <ul style="list-style-type: none"> • RZW : 20" AMG 5-Spoke Wheels, Black • RWE : 21" AMG Twin 5-Spoke, Matte Black • RXV : 22" AMG Cross-Spoke, Matte Black 	All Models	\$ 750
DB0	<p>Warmth and Comfort Package</p> <ul style="list-style-type: none"> ▪ P68 - Warmth and Comfort Package Code ▪ 902 – Rapid Heating Function ▪ 906 – Heated Armrest 	All Models	\$ 1,050
DA0	<p>MBUX Technology Package <i>Not available with Burmester High End Package (DC6)</i></p> <ul style="list-style-type: none"> ▪ PAU – MBUX Technology Package Code ▪ U19 – Augmented Video ▪ 463 – Head Up Display 	All Models	\$ tbd

<i>Code</i>	<i>Packages</i>	<i>Availability</i>	<i>MSRP</i>
DC5	Acoustic Comfort Package <ul style="list-style-type: none"> ▪ PAF – Acoustic Comfort Package Code <ul style="list-style-type: none"> ▪ Increased Cabin Insulation, Windshield with Infrared-Reflecting film, Side Windows with Acoustic ▪ Infrared Absorbing Film 	All Models	\$ 1,100
DB8	Energizing Comfort Package PLUS <i>Requires Warmth and Comfort Package (DB0PKG)</i> <ul style="list-style-type: none"> ▪ PBR – ENERGIZING Package Code ▪ P21 – AIR-BALANCE Package ▪ 401 – Heated and Ventilated Front Seats ▪ 399 – Active Multi-Contour Front Seats with Massage Function 	GLE 53 GLE 63 S	\$ 2,100 \$ Tbd
DC6	Burmester High-End Surround Sound System Package <i>Not available with DA0 Technology Package</i> <ul style="list-style-type: none"> ▪ 811 – Burmester® High End 3D Surround Sound System ▪ B51 – Tirefit <p><i>Please note: This package deletes the spare wheel</i></p>	All Models	\$ 4,550
DE6	AMG DYNAMIC PLUS Package <ul style="list-style-type: none"> ▪ 465 – AMG ACTIVE RIDE CONTROL Suspension based on AMG RIDE CONTROL+ <ul style="list-style-type: none"> ▪ including eActive Roll Stabilization ▪ U88 – AMG DRIVE Unit ▪ U70 – AMG High Performance Braking System with Red Painted Brake Calipers ▪ L6G – AMG Performance Steering Wheel in DINAMICA ▪ 256 – AMG TRACK PACE 	GLE 53	\$ TBD

Stand-Alone Options



DRIVING PERFORMANCE

<i>Code</i>	<i>Options</i>	<i>Availability</i>	<i>MSRP</i>
B07	AMG High-Performance Ceramic Composite Braking System	GLE 63 S	\$ tbd
B14	Carbon Fiber Engine Cover	GLE 63 S	\$ 1,600
L6G	AMG Performance Steering Wheel in DINAMICA	All Models	\$ tbd
L6H	AMG Performance Steering Wheel in Carbon Fiber/DINAMICA	GLE 63 S	\$ tbd
L6J	AMG Performance Steering Wheel in Nappa Leather	GLE 53 GLE 63 S	\$ Std \$ 0
L6K	AMG Performance Steering Wheel in Nappa Leather/DINAMICA	GLE 53 GLE 63 S	\$ 500 \$ Std
P21	Air Balance Package	All Models	\$ 350
P64	Passenger Seat Memory	GLE 53	\$ 350
U09	MB-Tex Dashboard and Door Panels	GLE 53	\$ 450
U17	Omission of Color Seatbelts (<i>replaces Y05</i>)	All Models	\$ 0
U19	Augmented Video	All Models	\$ 250
U29	AMG High-Performance Braking System (n/a with RZV, RZW, or RRP wheels)	GLE 53	\$ Tbd
U38	Nappa Leather Dashboard	GLE 53 GLE 63 S	\$ 1,050 Std
U78	AMG Performance Exhaust System	GLE 53	\$ 1,250
U88	AMG Drive Unit (<i>not available with 443 Heated Steering Wheel</i>)	GLE 53	\$ 400
Y04	Silver Seatbelts	GLE 63 S	\$ 0
Y05	Red Seatbelts (<i>only avail w 651, 851, 857, 551, or 557 upholsteries</i>)	All Models	\$ 0
256	AMG Track Pace	GLE 53	\$ 250

Stand-Alone Options



DRIVING PERFORMANCE

<i>Code</i>	<i>Options</i>	<i>Availability</i>	<i>MSRP</i>
297	Powered Rear Side-Window Sunshades	GLE 53	\$ 380
311	Heated and Cooled Cupholders	GLE 53	\$ 180
399	Multicontour Front Seats with Massage	All Models	\$ 1,100
401	Heated and Ventilated Front Seats (<i>n/a with 651 upholstery</i>)	GLE 53	\$ 450
413	Panorama Sunroof	All Models	\$ 1,000
443	Heated Steering Wheel (<i>not available with U88 AMG Drive Unit</i>)	All Models	\$ 250
513	Traffic Sign Assist	All Models	\$ 295
550	Trailer hitch	All Models	\$ 575
567	Power Second Row	GLE 63 S	\$ 1,200
581	4-Zone Climate Control	All Models	\$ 760
61U	Black DINAMICA Roof Liner	GLE 53 GLE 63 S	\$ 1,600 \$ Std
77B	MBUX Interior Assistant	All Models	\$ 200
846	Brushed aluminum illuminated running boards	All Models	\$ 650

<i>Code</i>	<i>Options</i>	<i>Availability</i>	<i>MSRP</i>
872	Heated Rear Seats	All Models	\$ 580
875	Heated Windshield Washer System	GLE 53	\$ 200
883	Soft-Close Doors	All Models	\$ 550
902	Rapid Seat Heating	All Models	\$ 450

<i>Code</i>	<i>Special Order Options (additional charge of \$250)</i>	<i>Availability</i>	<i>MSRP</i>
293	Rear side air bags	All Models	\$ 420

<i>Code</i>	<i>VPC Installed Accessories</i>	<i>Availability</i>	<i>MSRP</i>
D03	Illuminated Star <i>Not with Active Distance Assist DISTRONIC®</i>	All Models	\$ 500
D07	Wheel Locking Bolts	All Models	\$ 150
D08	Chrome Door Handle Inserts	All Models	\$ 100
D14	Chrome Hood Fin Cover	All Models	\$ 160

Headlamps



LED Headlamps (632)

- Excellent illumination of the road.
- Unmistakable look by day or night
- Long operating life
- Color spectrum close to natural daylight
- Low energy consumption



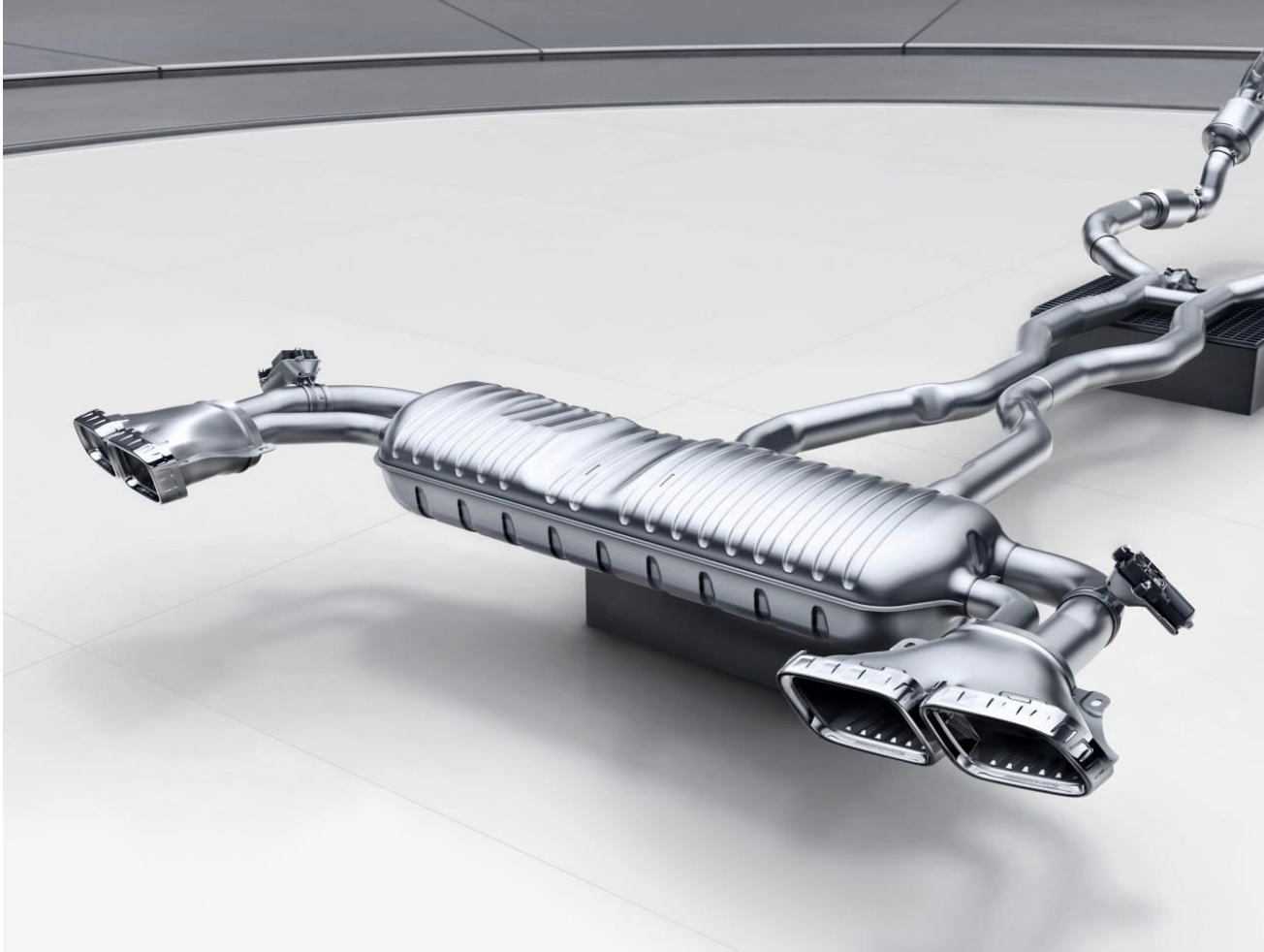
LED Intelligent Light System w/ Ultra Range Highbeam

Option Price: \$900

Requires Advanced Lighting Package (DA4PKG)

- Advanced LED headlamps and Ultra Range Highbeams
- Ultra Range Highbeam produce light at an increased range for maximum illumination of the road and surround area
- Adaptive Highbeam Assist is also part of the LED Intelligent Light System and allows drivers to drive with activated main beams without dazzling other motorists or pedestrians

AMG Performance Exhaust System



AMG Performance Exhaust System (U78)

Standard on GLE 63 S

Option price GLE 53 : \$1,250

- Stronger differentiation of the sound characteristics by means of two additional exhaust flaps
- Sound characteristics dependent on selected drive program – clear differentiation between rich in drive programs “C” and “S” and emphatically sporty in drive programs “S+” and “Race” (*“Race” mode on GLE 63 S Only*)
- Additional control of the sound characteristics by means of a button in the middle control panel of the center console
- Control by means of variably adjustable exhaust flaps – without loss of power
- Control of the exhaust gas flaps is dependent on both engine speed and load, ensuring 100% power delivery
- Double declutching (in “S”) and a misfire (in “S+” and “Race” emphasize the sporty characteristics of the particular drive programs (*“Race” mode on GLE 63 S Only*))

Steering Wheel



AMG Performance Steering Wheel in Black Nappa Leather (L6J)

Standard on GLE 53

GLE 63 S option price: \$0

- Sporty 3-spoke design with flattened lower section and perforated grip area, completely finished in black Nappa Leather with 12'o clock marking and topstitching.
- Steering wheel spokes and trim in silver chrome with 'AMG' lettering and silver colored aluminum shift paddles.



AMG Performance Steering Wheel in Nappa Leather /DINAMICA (L6K)

GLE 53 option price: \$500

Standard on GLE 63 S

- Sporty 3-spoke design with flattened lower section, combined version in Nappa Leather with black DINAMICA microfiber in the grip area with 12'o clock marking and topstitching.
- Steering wheel spokes and trim in silver chrome with 'AMG' lettering and silver colored aluminum shift paddles.



AMG Performance Steering Wheel in DINAMICA (L6G)

Option price: \$600

Option price: *\$tbd* GLE 63 S

includes U88 AMG Drive Unit. Cannot be combined with 443 Heated Steering Wheel

- Sporty 3-spoke design with flattened lower section, completely finished in DINAMICA microfiber in black with 12'o clock marking and topstitching.
- Steering wheel spokes and trim in silver chrome with 'AMG' lettering and silver colored aluminum shift paddles.



AMG Performance Steering Wheel in Carbon Fiber / DINAMICA (L6H)

GLE 63 S only: *\$tbd*

only i.c.w. H86 Carbon Fiber Trim, H31 Natural Grain Grey Oak, or H35 designo® Black Flamed Open-Pore Ash Wood

- Sporty 3-spoke design with flattened lower section, combined version in high-gloss carbon fiber and black DINAMICA microfiber in the grip area with 12'o clock marking and topstitching.
- Steering wheel spokes and trim in silver chrome with 'AMG' lettering and silver colored aluminum shift paddles.

U88 AMG Drive Unit steering wheel buttons



AMG Drive Unit steering wheel buttons

Standard on GLE 63 S

Option Price GLE 53 : \$400

- When U88 is selected, the AMG Performance Steering Wheel is equipped with a round controller with an integral display beneath the right-hand steering wheel spoke, plus two vertically positioned color display buttons beneath the left-hand steering-wheel spoke
- The round display allows for easy adjustment of the AMG DYNAMIC SELECT Drive Mode
- The vertically-mounted displays offer a configurable hot-key to adjust two key parameters, i.e. a switch to Manual transmission mode (or to Automatic shifting) or a switch from the Comfort exhaust setting to the more emotional Sport setting
- These buttons allow the driver to concentrate fully on dynamic driving without having to take their hands off the wheel in order to change performance-oriented vehicle settings

Please note, that when equipped with 443 Heated Steering Wheel, the AMG Drive Unit Steering Wheel Buttons are unable to be equipped.

Brakes



AMG High Performance Braking System

Standard on GLE 53

2-piston front and 1-piston rear calipers

- Front axle: brake disc measuring 15.75 inch, internally ventilated and perforated with 2-piston fixed caliper
- Rear axle: brake discs measuring 13.58 inch, internally ventilated, with single-piston floating caliper
- Silver-painted brake calipers with black AMG lettering

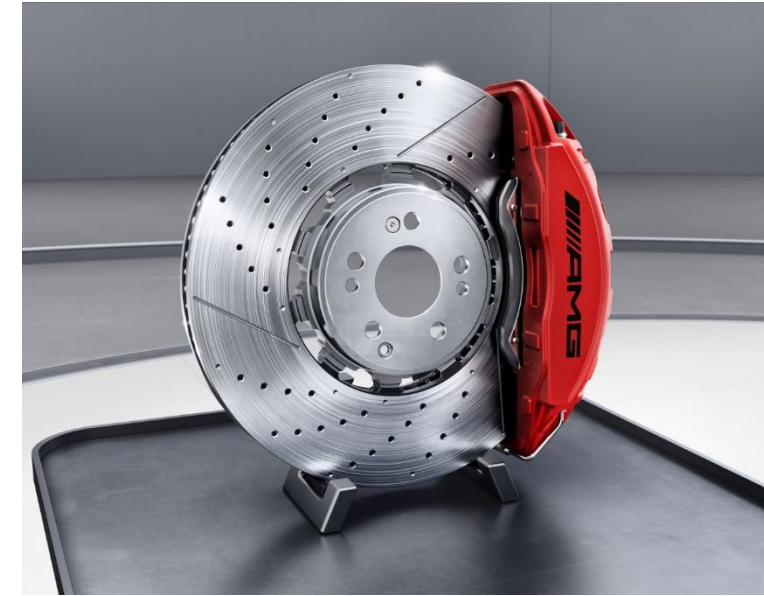


AMG High Performance Braking System (U29)

Optional on GLE 53 (n/a with RZV, RZW, RRP wheels)

6-piston front and 1-piston rear calipers

- Front axle: brake disc measuring 15.75 inch, internally ventilated and perforated with 6-piston fixed caliper
- Rear axle: brake discs measuring 14.57 inch, internally ventilated, with single-piston floating caliper
- Silver-painted brake calipers with white AMG lettering

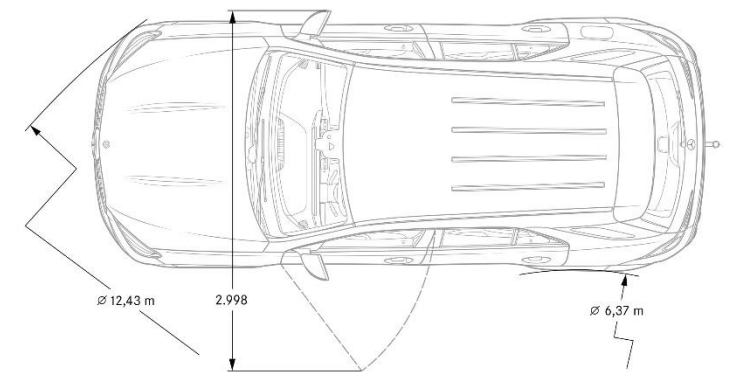
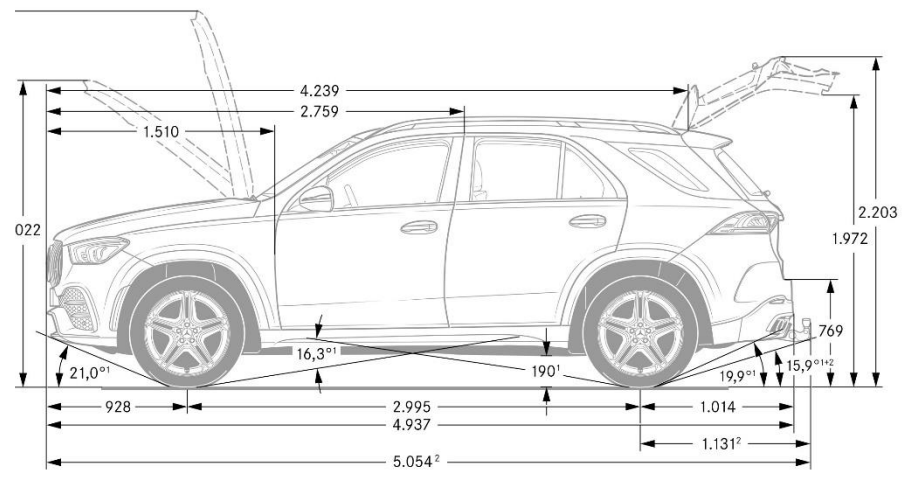
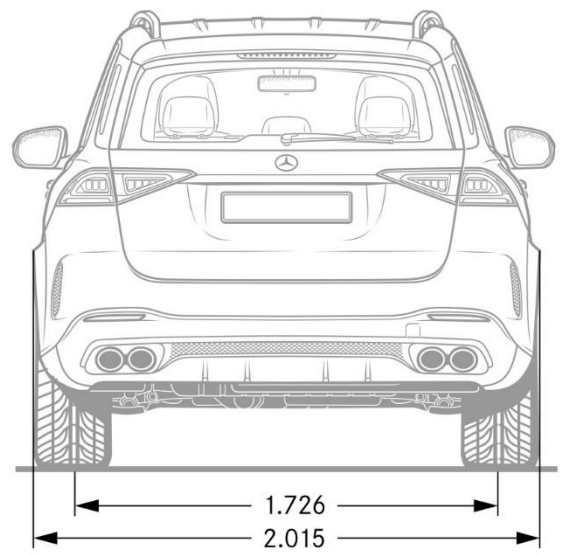
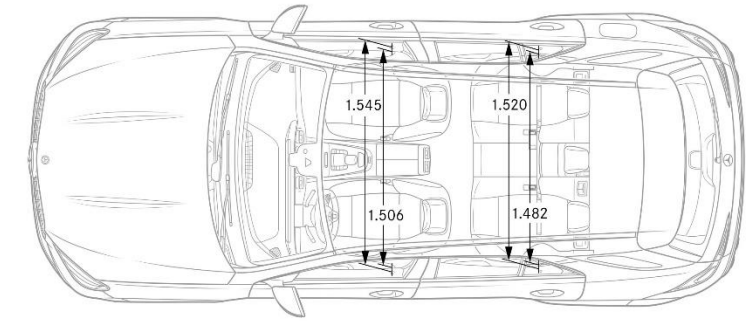
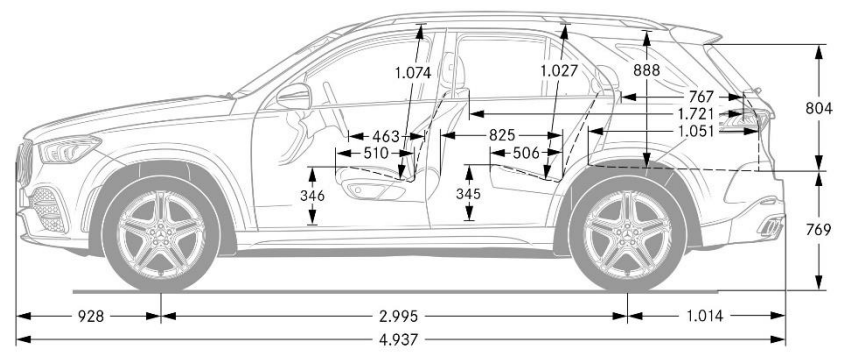
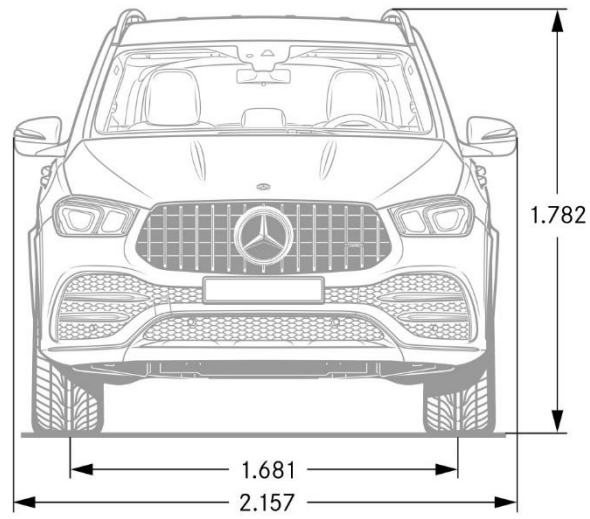


AMG High-Performance Composite Braking System (U70)

Standard on GLE 63 S

	<i>GLE 53 4MATIC+</i>	<i>GLE 63 S 4MATIC+</i>
Engine Configuration	AMG-Enhanced 3.0L I6 Turbo Engine	Handcrafted AMG 4.0L V8 Bi-Turbo Engine
Power (hp)	429	603
Electric motor (hp), System output (hp)	21	21
Torque (lb-ft)	384	627
Electric Motor (lb-ft), System Torque (lb-ft)	184	184
Displacement (cc)	2,999	3,982
Acceleration 0-60 mph (sec)	5.2	3.7
Fuel Economy (Cty/Hwy/Comb)	tbd	Tbd
Top Speed (mph)	155 (<i>icw R01</i>)	174
Fuel Requirement (Octane)	91	91
Compression	10.5 : 1	8.6 : 1
Transmission	AMG SPEEDSHIFT TCT 9-speed automatic transmission	AMG SPEEDSHIFT TCT 9-speed automatic transmission
Transmission Speeds	9	9
Drive Configuration	All-wheel drive	All-wheel drive
Fuel Tank Size (gallons)	22.5	22.5
Trunk Size (cubic feet)	Tbd	Tbd
Curb Weight (lbs)	Tbd	Tbd
Maximum Load (lbs)	Tbd	Tbd
Vehicle Length (in.)	194.4	195.0
Vehicle Width w/ exterior mirrors (in.)	84.9	84.9
Vehicle Height (in.)	70.2	70.2
Wheelbase (in.)	117.9	117.9
Track Width Front/Rear (in.)	66.18/67.91	66.65/67.72
Towing Capacity (lbs)	Tbd	Tbd

Specifications* – GLE 53 4MATIC+



Specifications* – GLE 63 S 4MATIC+



DRIVING PERFORMANCE

