

GLE SUV



V167

Model Year 2020

Preliminary – Subject to Change

Mercedes-Benz

The best or nothing.





Important note

The information presented in this guide is based on the most current information available and is intended for internal use only. Mercedes-Benz reserves the right to make changes at any time, without notice, to colors, materials, equipment, special specifications and models.

Pricing may not yet be finalized for some models or options.

Due to variances among monitors and printers the colors that appear on your screen and printouts may not be exact.

For illustrative purposes, some images may show vehicles with European Specification.

Revision History

<i>Date</i>	<i>Changes</i>
	First preliminary draft of DOG
	Update on Stand-Alone Options, Trims and Pricing
12/04/2018	Update MSRP
12/07/2018	Update on Equipment Pricing
12/13/2018	Upholstery 958 opened up for Ordering
12/13/2018	Update on Stand-Alone Options
01/15/2019	Update on Accessories Pricing
01/30/2019	Minor Updates on Equipment Pricing and Descriptions
02/04/2019	Minor Updates on Terminology
02/20/2019	Updated Specifications
03/08/2019	Updated Production Restrictions for Trims
03/21/2019	GLE 580 4MATIC added
04/02/2019	Updated Upholstery Availability
05/21/2019	Updated D11 Spoiler Availability
06/09/2019	Updated Specifications



Important note

The information presented in this guide is based on the most current information available and is intended for internal use only. Mercedes-Benz reserves the right to make changes at any time, without notice, to colors, materials, equipment, special specifications and models.

Pricing may not yet be finalized for some models or options.

Due to variances among monitors and printers the colors that appear on your screen and printouts may not be exact.

For illustrative purposes, some images may show vehicles with European Specification.

Revision History

<i>Date</i>	<i>Changes</i>
10/02/2019	Updated upholstery & trim availability
10/14/2019	Updated pricing for GLE 580 4M <ul style="list-style-type: none">• E-Active Body Control (DC7PKG)• Upholstery 801/885/958
10/15/2019	Updated restrictions for 3 rd Row Seat Package (DB4)



GLE 350 / GLE 350 4M / GLE 450 4M / GLE 580 4M



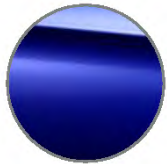
Models



What's new



Standard Equipment



Exterior Paint Colors



Wheels



Interior Upholstery



Interior Trims



Option Packages



Stand-Alone Options



Options in Detail



Specifications



GLE 350 (167.148)

- MSRP \$53,700
- 2.0L inline-4 turbo engine
- Horsepower 255 hp
- Torque 273 lb-ft
- 7.0 sec est. (0-60 mph)
- Launch date: late summer (MY20)



GLE 350 4MATIC (167.149)

- MSRP \$56,200
- 2.0L inline-4 turbo engine
- Horsepower 255 hp
- Torque 273 lb-ft
- 7.1 sec est. (0-60 mph)
- Launched: February 2019 (MY20)



GLE 450 4MATIC (167.159)

- MSRP \$61,150
- 3.0L inline-6 turbo engine with EQ Boost
- Horsepower 362 hp
- Torque 369 lb-ft
- EQ Boost outputs 21hp and up to 184 lb-ft
- 5.5 sec est. (0-60 mph)
- Launched: February 2019 (MY20)

Pictures show optional Equipment and European Model



GLE 580 4MATIC (167.186)

- MSRP \$76,800
- 4.0L V8 biturbo engine w/ EQ Boost
- Horsepower 483 hp
- Torque 516 lb-ft
- EQ Boost outputs 21hp and up to 184 lb-ft
- 4.9 sec est. (0-60 mph)
- Launch date: Q4/2019 (MY20)

Pictures show optional Equipment and European Model



Exterior Comparison MY19 (W166) vs. MY20 (V167)



European picture shown – wheels n/a in US



Interior Comparison MY19 (W166) vs. MY20 (V167)



Picture shows optional Equipment



Picture shows optional Equipment



Exterior Highlights



MB Exterior
Standard

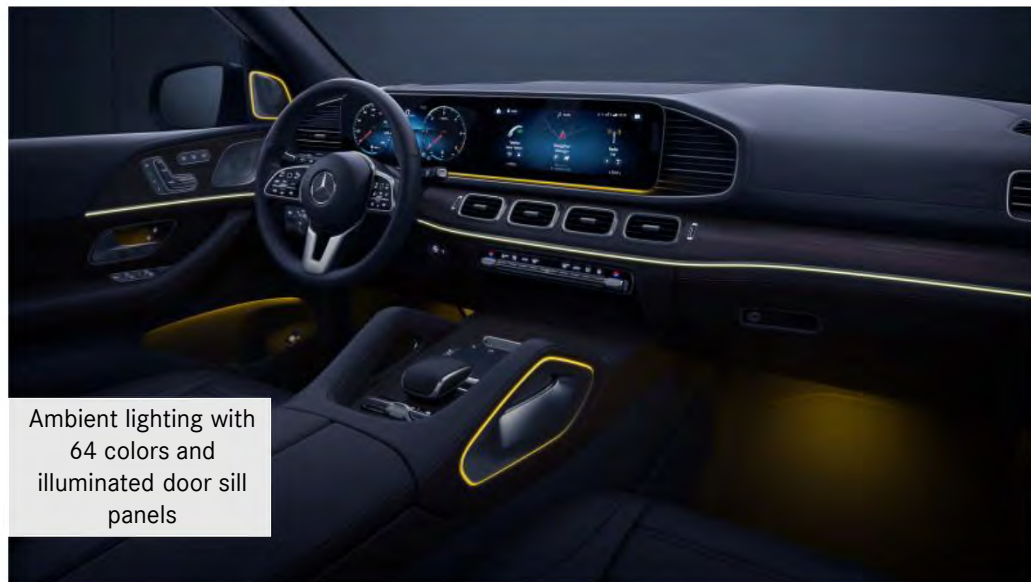


AMG Line Exterior
DG1PKG





Interior Highlights





Exterior

- Greater length, width, wheelbase and track width
- Emotional and dynamic design
- Hood with two prominent power domes
- Free-standing roof rails in chrome finish
- Large roof spoiler, wide shoulders and two-part taillights
- Dark wheel arch claddings
- New: large 19-22" wheels
- Distinguished, chromed underride guard in SUV-specific design
- New exterior paint colors

Interior

- Progressive all-new SUV interior design
- New generation steering wheels with touch controllers
- Instrument panel and center console visually divided and redesigned
- Trim elements with open-pore woods
- Two dominant grab handles on the center console
- SUV-specific storage compartments

Standard Equipment

- LED Headlights
- MBUX User Interface
- Navigation
- 12.3" Digital Instrument Cluster
- 12.3" Media Display with Touchscreen
- HANDS-FREE ACCESS
- KEYLESS-GO®
- Touchpad in Center Console
- 5 USBs Type-C (3 in front, 2 in rear)
- Blind Spot Assist
- Power Tilt/Sliding Sunroof
- Active Parking Assist

Optional Equipment

- DB4PKG – 3rd Row Seat Package
- P21 – AIR-BALANCE Package
- U19 – Augmented Video
- 463 – Head-Up Display
- DC7PKG – E-ACTIVE BODY CONTROL (ABC®)
- 581 – 4-Zone Climate Control
- 897 – Inductive Wireless Charging
- 413 – Enlarged panoramic sliding sunroof with 50% larger viewing area
- 846 – Illuminated running boards with robust stainless-steel inserts
- 876 – Ambient lighting with 64 colors and illuminated door sills



3rd Row Seat Package (DB4PKG)



3rd Row Seat Package (DB4PKG)

Option Price: \$2,100

Includes Runflat Tires (R66) with 19-20" wheels

Includes Tire fit (B51) with 21" wheels

Not with Spare wheel (690)

- 847 – 3rd Row Seat
- 567 – Power 2nd Row Seat
- 72B – Additional 2 USB Type-C ports in 3rd row



Fully Electrical 2nd Row Seat





E-ACTIVE BODY CONTROL (ABC®) (DC7PKG)



E-ACTIVE BODY CONTROL (ABC®) (DC7PKG)

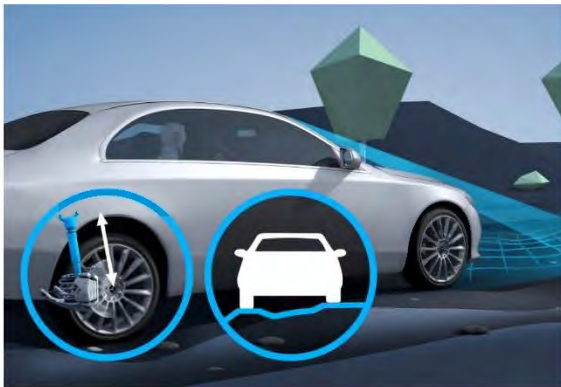
Optional on GLE 450 4MATIC

Option Price: \$8,100 (includes cost of AIRMATIC)

Requires AIRMATIC® suspension (489), Tire diameter 790 (wheel size 20" or larger)

E-ACTIVE BODY CONTROL is an all-new suspension system powered in part by the 48V battery and developed by Mercedes-Benz. By utilizing a Road Surface Scan and curve inclination function, an extraordinary level of comfort is made possible, and supports the claim of Mercedes-Benz to build the world's most intelligent SUV suspension.

- Only system on the market to control spring and damping forces individually at each wheel
- Hydropneumatics generate dynamic forces that overlay the air suspension forces and actively support and dampen the vehicle body during linear and lateral acceleration or when driving on uneven roads





Mercedes-Benz User Experience (MBUX)

MBUX - the newest head unit generation from Mercedes-Benz

Standard on all GLE models

- Offered with two 12.3" digital displays as standard equipment
- MBUX was designed for a touch interface with intuitive operation
- There are four ways of interacting with the system:
 - An all-new Touchpad, Touch Control Buttons on the steering wheel, a touchscreen center display, and an all-new generation of Voice Control
- Multiple users can set up Profiles which save their settings for future use
 - Including: seat settings, music preferences and radio settings, phone settings, themes/moods, Bluetooth connections, etc.
- Over time, the system learns more about it's owners and creates Suggestions based on past behavior of the user
- Whole groups of settings can be saved together in the form of a Theme/Mood
 - Including: ambient lighting, climate control, music preferences, and setup of the Digital Instrument Cluster and head unit display, etc.
- Using over-the-air updates, MBUX can continuously be improved over time
- The system is very quick and responsive due to it's impressive graphics processing and computing power

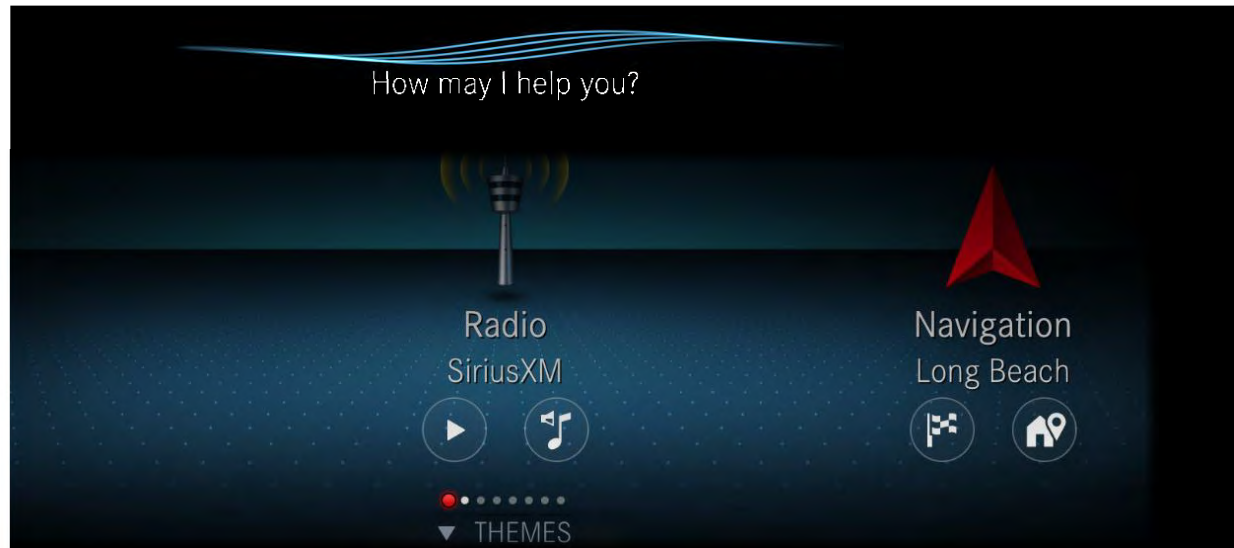


Voice Control

The most advanced Voice Control in any Mercedes-Benz vehicle

Standard on all GLE models

- Voice Control with MBUX is greatly enhanced over other systems by using both an onboard and offboard system for voice recognition
 - This ensures quick and appropriate responses
- The system also uses Natural Language Understanding so there's no need to remember the order of words for a specific command, just talk to the voice assistant as you would speak to another person
 - There are many ways of saying the same thing: *"Take me to Starbucks"*, or *"Find a Starbucks nearby"*, or *"Is there a Starbucks close?"*, or even *"I need a coffee"*
- Indirect commands can also be given like *"Will I need an umbrella today?"* and the Voice Control system understands that the user is really asking whether it will rain today
- In-vehicle components can also be controlled via Voice Control, like seat heating, climate control, ambient lighting, massage programs, and even the sunshade for the Panorama roof
- Voice Control is also capable of learning from its users and adjusting its understanding to their specific way of speaking
- Keyword Activation ensures you can quickly interact with Voice Control without having to press the button on the steering wheel
 - The system wakes up with a simple *"Hey Mercedes"* or *"Hi Mercedes"*





Steering Wheel (L3B)



3-spoke Nappa Leather Multifunction Steering Wheel (L3B)

Standard on all GLE models

The newly redesigned 3-spoke multifunction steering wheel in nappa leather combines a sporty design, compact dimensions and fine materials.

- Steering wheel shift paddles integrated into the back of the steering wheel cross spokes enable manual gear shifting and support a sporty driving style
- Steering wheel shift paddles in the steering wheel color
- Optional Active Distance Assist DISTRONIC® or standard cruise control is controlled via steering wheel-mounted controls
- Touch Control buttons for direct control of the instrument cluster and to control the functions of the multimedia system



Touchpad controller (448)



Touchpad controller (448)

Standard on all GLE models

The functions of MBUX can be controlled intuitively via the innovative touchpad, using single or multi-finger gestures (multi-touch):

- Touchpad approx. 3.35 x 3.54 inches in size
- Additional full-fledged input option supplementing the central controller, Touch Control Buttons on the steering wheel and voice control
- Recognizes single and multi-finger gestures (multi-touch), swiping movements and zoom gestures achieved by spreading the fingers or pinching them together
- Innovative handwriting recognition feature: Users are able to input letters, special characters and numbers in their normal handwriting, in any language available in the headunit
- 3 buttons located on the touchpad allow fast and direct operation of important functions
- Clear haptic feedback when using the touchpad or keys



Head-Up Display (463)



Head-Up Display (463)

Included in MBUX Technology Package (DA0PKG)

The Head-Up Display at a glance:

- Key driver information at a glance (e.g. speed, speed limits, navigation prompts, warnings or settings for the driving assistance systems) without the driver having to take their eyes off the road
- Projection of a virtual image measuring approx. 9.45" x 3.15" into the driver's field of vision
- Presentation of information in high-resolution and in color, making it clearly legible even on sunny days and at night
- Height position of the image, brightness and displayed content can be changed individually via a menu in the instrument cluster and can be stored conveniently via the optional memory function for the driver's seat



Ambient lighting with 64 colors



Ambient lighting with 64 colors (876)

Included in Premium Package (DP1PKG)

Showcase the interior according to your personal preferences or current mood. With a total of 64 colors, the ambient lighting gives you almost unlimited scope for lighting schemes, and has the right color available for any situation. Additional light elements in white help to ensure good orientation.

- All colors can be individually selected
- Brightness of the illumination zones can be freely selected between 0 and 100%
- Nine color schemes with different color combinations
- Dynamic mode: atmospheric color changes thanks to slow, seamless transition between different colors
- Climate effect: feedback in color when changing the temperature setting
- Welcome effect: special light display when getting into the vehicle
- Incorporation of ambient lighting into the programs of the ENERGIZING comfort control, in conj. with ENERGIZING package Plus
- Illuminated door sill panels with “Mercedes-Benz” lettering



ENERGIZING Package Plus (DB8PKG)



ENERGIZING Package Plus (DB8PKG)

Option Price: \$2,100

Requires Premium Package (DP1PKG) and Warmth and Comfort Package (DB0PKG)

The ENERGIZING package Plus is a new feature – it offers ultimate comfort for all the senses. To this end, a maximum of premium features are combined with innovative intelligence.

The exciting result: your Mercedes can vitalize and pamper you in specific ways. For prolonged alertness at the wheel and a very pleasant drive.

Programs

- The "Refresh" program brings a breath of fresh air on board – an intense airflow and activation of the seat ventilation create a revitalizing atmosphere
- "Vitality" gives you new energy – e.g. by including lively music
- Cozy relaxation is the purpose of "Warmth", which activates the seat heating
- If you opt for "Joy", the focus is on an invigorating massage with wave-like lumbar movements
- Your seats also please you in the "Comfort" program – in this program you can enjoy both seat heating and a beneficial hot-stone massage with a pulsating lumbar effect
- "Training", on the other hand, is active rather than passive: you can put intermediate breaks to good use with exercise

 Additional functionality with Garmin® wearables (Smartwatch/Fitness Trackers)



Availability of Ventilated Front Seats (401) with MB-TEX



Ventilated Front Seats (401)

Option Price: \$450

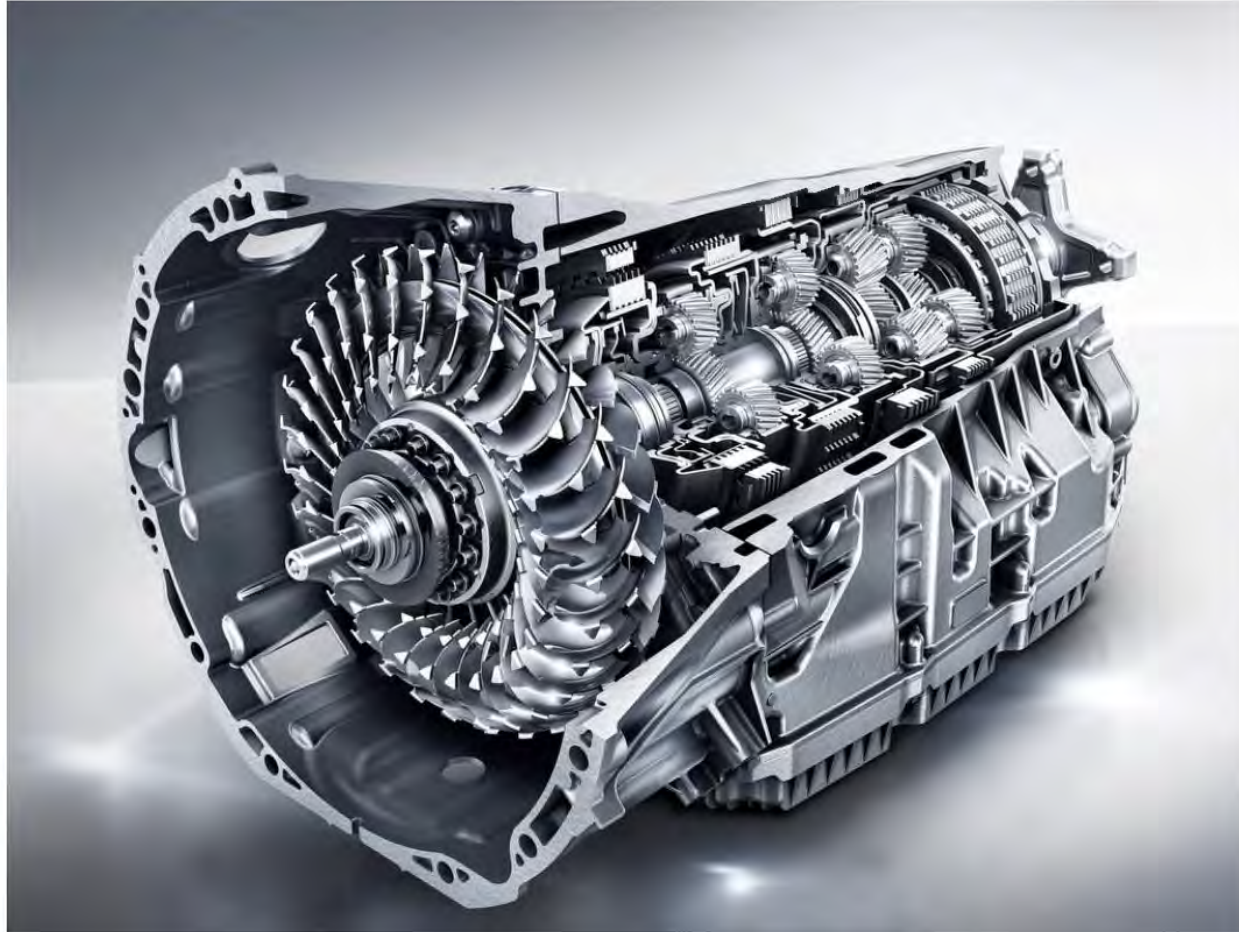
Not with AMG LINE Interior DINAMICA (601)

Will be available with MB-TEX for the first time

The climatized seats for driver and front passenger comprise seat heating and seat ventilation – for an ideal seat climate all year round. On hot days they provide you with a pleasantly refreshing temperature thanks to cooling ventilation. On cold days, meanwhile, the seat cushions and backrests emit a pleasant warmth.



9G-TRONIC Automatic Transmission (421)



9G-TRONIC 9-Speed Automatic Transmission (421)

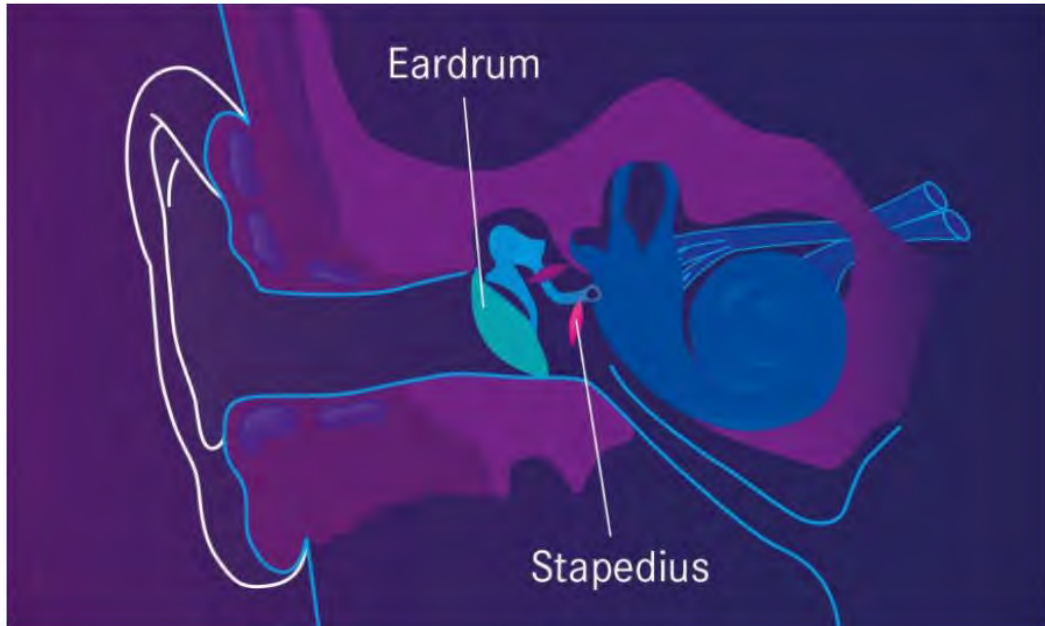
Standard on all GLE models

9G-TRONIC – faster, smoother, and more efficient

Featuring nine forward gears, this automatic transmission takes efficiency, comfort and dynamism to a completely new level. It is the new generation 9-speed automatic transmission with hydrodynamic torque converter. The larger ratio range allows a reduction in engine speed. Performance remains excellent while ride comfort is enhanced and noise levels are reduced. The reduced intervals between the gears lead to faster gear changes and enhanced spontaneity and agility. At the same time, the 9G-TRONIC transmission impresses with smooth, barely perceptible gear shifting like that of a continuously variable transmission. As the 9G-TRONIC transmission is able to skip individual gears, multiple downshifts are possible for fast and powerful sprints.



PRE-SAFE Sound



PRE-SAFE® Sound

Standard on all GLE models

Part of PRE-SAFE, PRE-SAFE Sound is an acoustic occupant preconditioning system which can reduce the effects of the noise from an accident on the occupants hearing.

- When the PRE-SAFE system recognizes a certain dangerous situation, the onboard sound system plays a brief rushing sound, also known as 'Pink Noise', to precondition the hearing
- The natural reflex mechanism of the stapedius muscle enables the inner ear to rapidly prepare for the accident-induced high pressure sound
- Up to 40% reduction of noise exposure impact



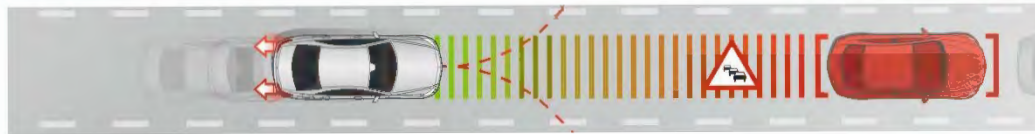
Active Brake Assist



Active Brake Assist (258)

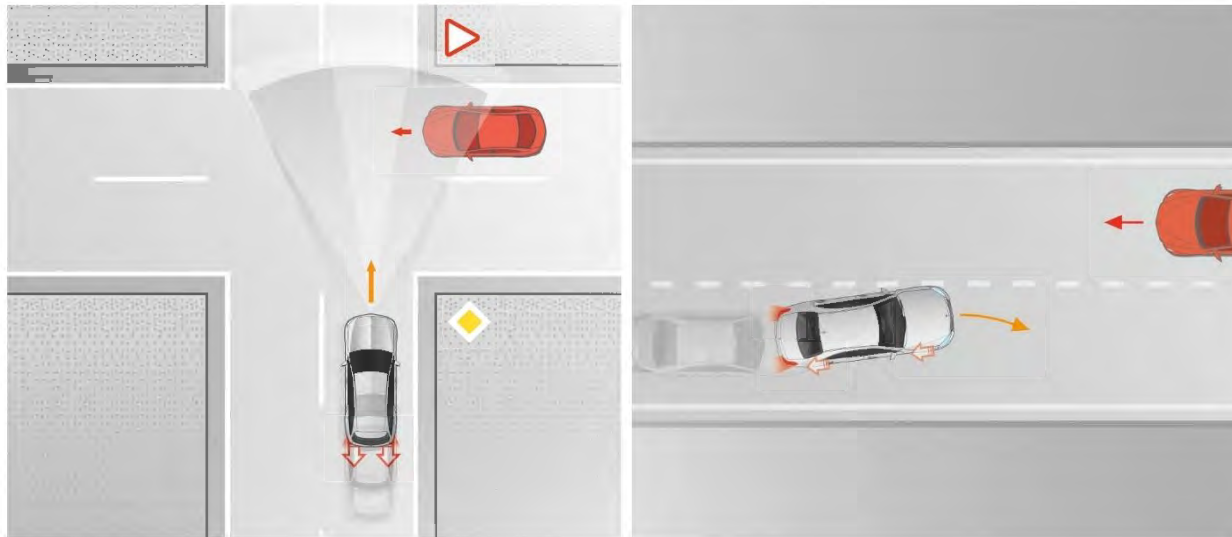
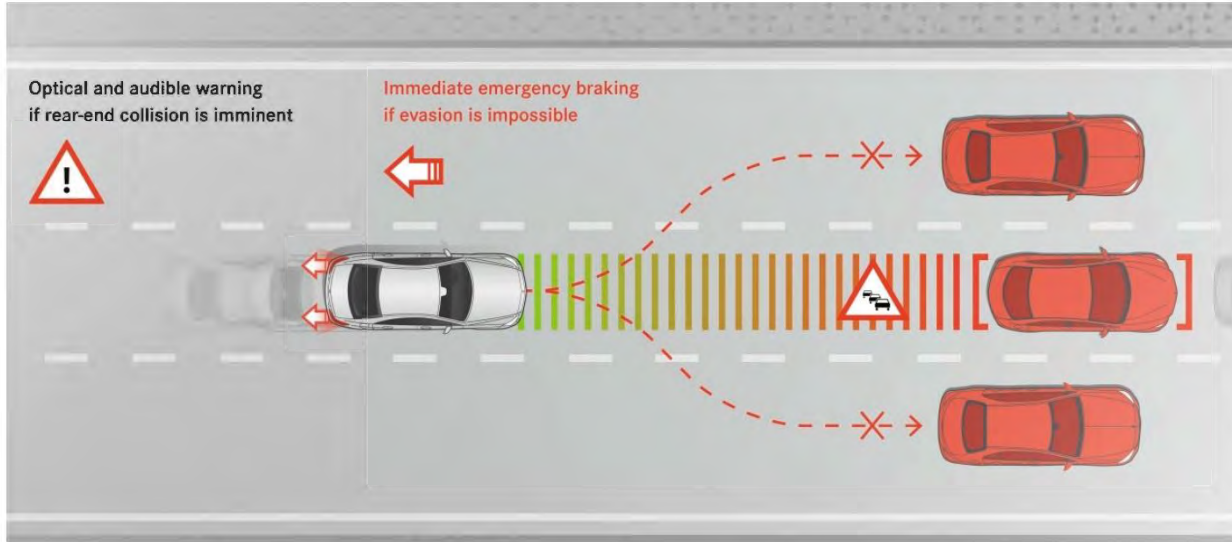
Standard on all GLE models

- Radar-based driving assistance system that can help prevent accidents with vehicles ahead and with crossing pedestrians or mitigate the consequences of accidents
- Combination of proximity warning, collision warning, on-demand braking assistance and autonomous braking function
- Additional audible warning if the distance diminishes rapidly
- If the driver initiates emergency braking – if necessary – increase in braking pressure by the on-demand braking assistance
- Initiation of autonomous braking if the driver fails to react
- Visual and audible warning plus almost simultaneous emergency braking if an impending collision with a crossing pedestrian is detected





Driver Assistance Package PLUS



Driver Assistance Package PLUS (DA2PKG)

Option price: \$2,250

Requires Multicontour front seats (399), Parking Assist Package (DA3PKG)

Not with AMG Line Interior (DG2PKG)

Latest-generation of our Advanced Driver Assistance System: the enhanced intelligent hands-off detection includes sensing via the Touch Control Buttons and is sensitive to specific conditions and can be activated at a wide range of speeds.

- **Active Stop-and-Go Assist** see next slide
- **Active Distance Assist DISTRONIC®**
- **Active Steering Assist** can now actively intervene even if road lines are unclear or non-existent at certain speeds; it can now also function in curves with a tighter radius
- **Active Emergency Stop Assist** is able to brake the vehicle to a standstill in its lane if it detects that the driver is no longer actively driving the vehicle while it is on the move with Active Distance Assist DISTRONIC® and Active Steering Assist engaged. It can now unlock the doors when the vehicle is stationary to allow first responders immediate access to the vehicle's interior
- **Active Lane Change Assist** is a radar-and-camera-based system that aids the driver when changing lanes. When a turn is indicated, this feature will aid with steering into the adjacent lane if it detects the lane is empty
- **Active Speed Limit Assist** can adapt vehicle speed to identified speed limits and can now adjust preemptively when speed limits are going to change
- **Route-Based Speed Adaptation** is able to reduce the speed in anticipatory mode by referencing the vehicle's map data ahead of bends, junctions, roundabouts, toll booths and exit ramps
- **Active Brake Assist with Cross-Traffic Function**
- **Evasive Steering Assist** this system assists by adding calculated steering torque to aid in steering wheel movement when a driver deliberately or instinctively performs an evasive maneuver around a pedestrian
- **Active Blind Spot Assist** helps the driver to avoid an imminent side impact by single-sided braking
- **Active Lane Keeping Assist**
- **PRE-SAFE® Impulse Side** see next slide



Driver Assistance Package Highlights



Mercedes-Benz Intelligent Drive – PRE-SAFE® Impulse Side

Included in Driver Assistance Package (DA2PKG)

- PRE-SAFE® Impulse Side initiates preventative protective measures against an impending side impact, supplementing the measures taken by PRE-SAFE® and PRE-SAFE® PLUS
- In the event of a side impact, PRE-SAFE® Impulse Side can have a positive effect by increasing the distance between the occupant and the door, and at the same time reducing the relative speeds between the side structure and the occupant's torso
- In the event of a recognized, unavoidable side collision, the system can give the driver or front passenger a slight push towards the center of the vehicle on the side facing the impact
- This lateral impulse is initiated by very rapid inflation of an air chamber in the seat bolster



Mercedes-Benz Active Stop-and-Go Assist

Included in Driver Assistance Package (DA2PKG)

- Enables the GLE to recognize traffic jams at an early stage, actively supporting the driver in stop-and-go traffic up to approx. 37 mph



Performance & Handling

- 9G-TRONIC 9-Speed Automatic Transmission
- 19" MB wheels (GLE 580 4M: 20" AMG Wheels standard)
- All Season Tires
- 2.0L inline-4 turbo engine (255 hp, 273 lb-ft) (GLE350/4M)
- New 3.0L inline-6 turbo engine with EQ Boost (362 hp, 369 lb-ft, EQ Boost outputs 21hp and up to 184 lb-ft) (GLE 450 4MATIC)
- New 4.0L V8 biturbo engine with EQ Boost (483 hp, 516 lb-ft, EQ Boost outputs 21hp and up to 184 lb-ft) (GLE 580 4MATIC)

Comfort & Convenience

- KEYLESS-START
- Remote Start
- Power tilt/sliding sunroof
- LED headlamps
- Multifunctional steering wheel with Touch Controllers
- Touchpad in center console
- MBUX User Interface
- 12.3" fully digital instrument cluster
- 12.3" Media Display with touchscreen
- Smartphone Integration
- Apple CarPlay and Android Auto
- 5 USBs (3 in front, 2 in rear)
- HERMES Communications module LTE
- MB Navigation with Live Traffic and Map Updates for 3 years
- Active Parking Assist
- Heated Front Seats
- Power Front Seats with 4-Way Lumbar Support and Driver Memory
- 2-Zone Climate control
- Garage Door Opener
- Load Compartment Cover
- Power Lift gate
- Spare tire
- Double Sun Visors
- Privacy Glass
- Mirror Package (Power Folding Mirrors, Auto-dimming Driver and Rearview Mirrors, Mirror Logo Projector)
- Roof rails
- HANDS-FREE-ACCESS
- KEYLESS-GO®

Safety & Security

- ATTENTION ASSIST®
- Blind Spot Assist
- Rear View Camera
- PRE-SAFE®
- Active Brake Assist
- eCall-Emergency System
- Car Exit Warning
- Anti-Theft Alarm System

Exterior Paint Colors



Non-metallic Paints



040U
Black
Option price: \$0

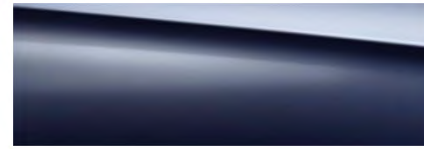


149U
Polar White
Option price: \$0

Metallic Paints



197U
Obsidian Black
Option price: \$720



890U
Lunar Blue
Option price: \$720



775U
Iridium Silver
Option price: \$720



989U
Emerald Green
Option price: \$720



859U
Mojave Silver
Option price: \$720



896U
Brilliant Blue
Option price: \$720



992U
Selenite Grey
Option price: \$720

designo[®] Paints



799U
Diamond White Metallic
Option price: \$1,515



996U
Cardinal Red Metallic
Option price: \$1,080



R26
19" Twin 5-Spoke Wheels
R02, 690
Standard on 350/450



R84
19" Multispoke Wheels Black
R02, 690
Option price: \$500



50R
20" Twin 5-Spoke Wheels
R02, 690
Option price: \$750



R77
21" Twin 5-Spoke Wheels
R02, 690
Option price: \$1,750



RZV
20" AMG Twin 5-Spoke Wheels
R02, 690
Option price: \$0
Standard on GLE 580 4M
Requires AMG Line Exterior (DG1PKG)



RZW
20" AMG 5-Spoke Wheels w/ Black Accents
R02, 690
Option price: \$0
Requires AMG Line Exterior (DG1PKG)
Requires Night Package (DC1PKG)



RWA
21" AMG Multispoke Wheels
R02, 690
Option price: \$1,000
Requires AMG Line Exterior (DG1PKG)



RWB
21" AMG Multispoke Wheels w/ Black Accents
R02, 690
Option price: \$1,000
Requires AMG Line Exterior (DG1PKG)
Requires Night Package (DC1PKG)



RXS

22" AMG Twin 5-Spoke Wheels

R01, 690

Optional on GLE 580 4M

RXT

22" AMG Twin 5-Spoke Wheels w/ Black

Accents

R01, 690

Optional on GLE 580 4M

Requires Night Package (DC1PKG)





<i>Code</i>	<i>Wheel Size</i>	<i>Description</i>	<i>Wheel Dimensions</i>		<i>Mobility</i>	<i>Availability</i>		
R26	19"	19" Twin 5-Spoke Wheels	255/50 R19 on 8 J x 19 ET 61 255/50 R19 on 8 J x 19 ET 61	(Front) (Rear)	R02, 690	All models	\$	0
R84	19"	19" Multispoke Wheels	255/50 R19 on 8 J x 19 ET 61 255/50 R19 on 8 J x 19 ET 61	(Front) (Rear)	R02, 690	All models	\$	500
50R	20"	20" Twin 5-Spoke Wheels	275/50 R20 on 8.5 J x 20 ET 55.5 275/50 R20 on 8.5 J x 20 ET 42	(Front) (Rear)	R02, 690	All models	\$	750
R77	21"	21" Twin 5-Spoke Wheels	275/45 R21 on 10 J x 21 ET 54 315/40 R21 on 11 J x 21 ET 49	(Front) (Rear)	R02, 690	All models	\$	1,750
RZV	20"	20" AMG Twin 5-Spoke Wheels	275/50 R20 on 9 J x 20 ET 57 275/50 R20 on 9 J x 20 ET 44	(Front) (Rear)	R02, 690	All models	\$	0 <i>Requires AMG Line Exterior (DG1PKG)</i>
RZW	20"	20" AMG 5-Spoke Wheels w/ Black Accents	275/50 R20 on 9 J x 20 ET 57 275/50 R20 on 9 J x 20 ET 44	(Front) (Rear)	R02, 690	All models	\$	0 <i>Requires AMG Line Exterior (DG1PKG)</i> <i>Requires Night Package (DC1PKG)</i>
RWA	21"	21" AMG Multispoke Wheels	275/45 R21 on 10 J x 21 ET 54 315/40 R21 on 11 J x 21 ET 49	(Front) (Rear)	R02, 690	All models	\$	1,000 <i>Requires AMG Line Exterior (DG1PKG)</i>
RWB	21"	21" AMG Multispoke Wheels w/ Black Accents	275/45 R21 on 10 J x 21 ET 54 315/40 R21 on 11 J x 21 ET 49	(Front) (Rear)	R02, 690	All models	\$	1,000 <i>Requires AMG Line Exterior (DG1PKG)</i> <i>Requires Night Package (DC1PKG)</i>



<i>Code</i>	<i>Wheel Size</i>	<i>Description</i>	<i>Wheel Dimensions</i>		<i>Mobility</i>	<i>Availability</i>		
RXS	22"	22" AMG Twin 5-Spoke Wheels	285/40 R 22 on 10 J 22 ET 56.1 325/35 R 22 on 11 J 22 ET 50	(Front) (Rear)	R01, 690	GLE 580 4MATIC	\$	2,250
RXT	22"	22" AMG Twin 5-Spoke Wheels w/ Black Accents	285/40 R 22 on 10 J 22 ET 56.1 325/35 R 22 on 11 J 22 ET 50	(Front) (Rear)	R01, 690	GLE 580 4MATIC	\$	2,250 <i>Requires Night Package (DC1PKG)</i>

Interior Upholstery – MB-TEX



111A
Black
Option price: \$0



114A
Espresso Brown
Option price: \$0



115A
Macchiato/ Magma Grey
Option price: \$0

MB-TEX not with Multicontour Seat (399)



Interior Upholstery – Leather



201A*
Black

Option price: \$1,620

Requires Passenger Seat Memory (P64)

Standard on GLE 580 4MATIC



204A*

Espresso Brown/ Magma Grey

Option price: \$1,620

Requires Passenger Seat Memory (P64)

Standard on GLE 580 4MATIC



205A

Macchiato/ Magma Grey

Option price: \$1,620

Requires Passenger Seat Memory (P64)

Standard on GLE 580 4MATIC



284A*

Black/ Tartufo

Option price: \$1,620

Requires Passenger Seat Memory (P64)

Standard on GLE 580 4MATIC



288A*

Black/ Magma Grey

Option price: \$1,620

Requires Passenger Seat Memory (P64)

Standard on GLE 580 4MATIC

*Textured Leather

Interior Upholstery – AMG Line/ Exclusive Interior



601A

Black MB-Tex w/ DINAMICA inserts

Option price: \$0

*Requires AMG Line Interior (DG2PKG)
Not with Multicontour Seats (399)*



801A

Black Nappa Leather

Option price: \$2,990

GLE 580 4MATIC price: \$1,370

*Requires AMG Line Interior (DG2PKG) and Passenger Memory (P64)
Not with Multicontour Seats (399)*



885A

White/ Black Nappa Leather

Option price: \$2,990

GLE 580 4MATIC price: \$1,370

*Requires AMG Line Interior (DG2PKG) and Passenger Memory (P64)
Not with Multicontour Seats (399)*



958A

Black/ Magma Grey Exclusive Nappa Leather

Option price: \$2,990

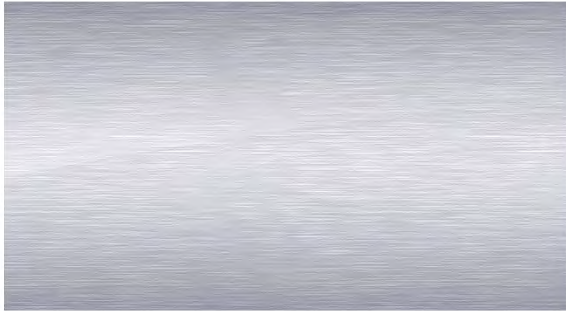
GLE 580 4MATIC price: \$1,370

Requires Passenger Seat Memory (P64)

AMG Line upholstery (601/801/885) only available with headliner black (51U)



<i>Code</i>	<i>Upholstery</i>	<i>Seats</i>	<i>Floor Mats</i>	<i>Upper Dash/Lower Dash</i>	<i>Seat Belts</i>	<i>Steering Wheel</i>	<i>Headliner</i>
111A	Black MB-TEX	Black	Black	Black/Black	Black	Black	Crystal Grey or Black
114A	Espresso brown MB-TEX	Espresso brown	Magma Grey	Magma Grey/Espresso brown	Magma Grey	Magma Grey	Crystal Grey or Black
115A	Macchiato/ Magma Grey MB-TEX	Macchiato	Magma Grey	Magma Grey/ Macchiato	Macchiato	Magma Grey	Macchiato
201A	Black leather	Black	Black	Black/Black	Black	Black	Crystal Grey or Black
204A	Espresso brown/ Magma Grey brown leather	Espresso brown	Magma Grey	Magma Grey/ Espresso brown	Magma Grey	Magma Grey	Crystal Grey
205A	Macchiato/ Magma Grey Leather	Macchiato	Magma Grey	Magma Grey/ Macchiato	Macchiato	Magma Grey	Macchiato
284A	Black/ Tartufo Leather	Tartufo	Black	Black/ Black	Black	Black	Black or Crystal Grey
288A	Black/ Magma Grey Leather	Magma Grey	Black	Black/ Magma Grey	Magma Grey	Black	Crystal Grey or Black
601A	Black w/ DINAMICA inserts	Black	Black	Black/Black	Black	Black	Black
801A	Black Nappa Leather	Black	Black	Black/Black	Black	Black	Black
885A	Black/white Nappa Leather	Black white	Black	Black/Black	Black	Black	Black
958A	Black/ Magma Grey Exclusive Nappa Leather	Magma Grey	Black	Magma Grey/ Magma Grey	Magma Grey	Black	Black or Crystal Grey



H46

Aluminum with longitudinal grain
Option price: \$0

Requires Ambient Lighting (876) or Premium Package (DP1PKG)

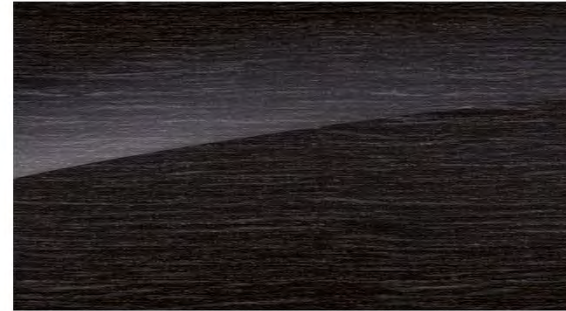
Availability TBD



H31

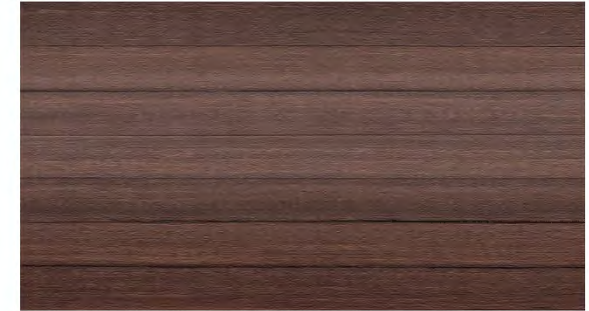
Natural grain grey oak
Option price: \$160

Requires Ambient Lighting (876) or Premium Package (DP1PKG)



H18

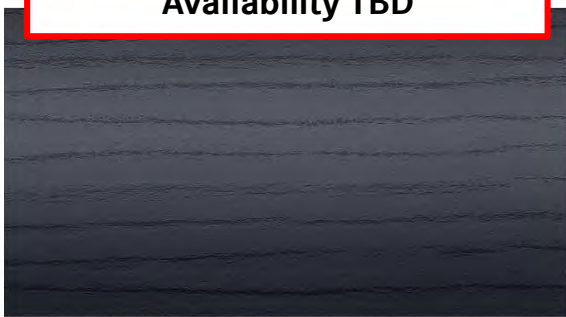
High-gloss grey linden
Standard



H22

Natural grain brown walnut
Option price: \$160

Requires Ambient Lighting (876) or Premium Package (DP1PKG)



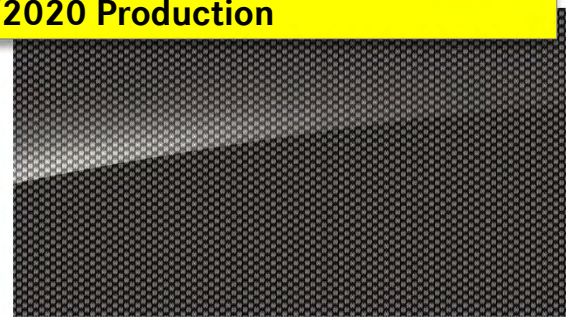
H35

designo® black flamed open-pore ash wood
Option price: \$850



H34

designo® Brown Linden Wood Flowing Lines
Option price: \$850



H64

Metal weave
Option price: \$600

Available as of 03/2020 Production

only with Premium Package (DP1PKG)



<i>Code</i>	<i>Packages</i>	<i>Availability</i>	<i>MSRP</i>
DP1PKG	<p>Premium Package <i>Standard on GLE 580 4MATIC</i> <i>Requires Burmester® Surround Sound System (810) (included in above Price) or Burmester® High-End 3D Surround Sound System (811) - additional \$4,550</i></p> <ul style="list-style-type: none"> ▪ U80 – 115V Power Outlet ▪ 536 – SiriusXM Radio ▪ 810 – Burmester® Surround Sound System ▪ 866 – Pre-Wiring for Rear Seat Entertainment and Comfort Features ▪ 876 – Ambient Lighting with 64 colors ▪ 897 – Wireless Charging 	GLE 350/450	\$ 1,850
DA2PKG	<p>Driver Assistance Package PLUS P20 – Driver Assistance Package PLUS <i>Requires Parking Assist Package (DA3PKG), Multicontour front seats (399), Leather upholstery</i> <i>Not with AMG Line Interior (DG2PKG)</i></p> <ul style="list-style-type: none"> ▪ Active Stop-and-Go Assist ▪ 233 – Active Distance Assist DISTRONIC® ▪ 266 – Active Steering Assist ▪ Active Emergency Stop Assist ▪ Active Lane Change Assist ▪ 546 – Active Speed Limit Assist ▪ Route-Based Speed Adaptation ▪ Active Brake Assist with Cross-Traffic Function ▪ Evasive Steering Assist ▪ Active Blind Spot Assist ▪ Active Lane Keeping Assist ▪ 253 – PRE-SAFE® PLUS Rear End Collision Protection ▪ 292 – PRE-SAFE® Impulse Side ▪ 513 – Traffic Sign Assist 	All Models	\$ 2,250



<i>Code</i>	<i>Packages</i>	<i>Availability</i>	<i>MSRP</i>
DA3PKG	Parking Assistance Package <ul style="list-style-type: none"> ▪ P47 - Parking Assist code ▪ 501 - Surround View System 	All Models	\$ 400
DA4PKG	Exterior Lighting Package <ul style="list-style-type: none"> ▪ 640 - LED Intelligent Light System ▪ 608 - Adaptive Highbeam Assist 	All Models	\$ 900
DG1PKG	AMG Line Exterior <i>Standard on the GLE 580 4MATIC</i> <ul style="list-style-type: none"> ▪ P31 - AMG Bodystyling <ul style="list-style-type: none"> ▪ Diamond radiator grille with pins in chrome, integral Mercedes star and single louvre painted in matt iridium silver with chrome insert ▪ AMG front apron in an A-wing design, with AMG-specific air inlets in the wheel arch linings ▪ Flared wheel arches at front and rear, painted in the vehicle color ▪ Side sill panels painted in the vehicle color ▪ AMG rear apron with diffuser-look insert in black and trim strip in chrome ▪ Sports brake system with perforated front brake discs, larger brake size and brake calliper trim with "Mercedes-Benz" lettering ▪ Functional sport exhaust (<i>only for GLE 450 4MATIC</i>) ▪ Wheel choice of: <ul style="list-style-type: none"> ▪ RZV - AMG 20" Twin 5-Spoke Wheels ▪ RWA - AMG 21" Multispoke Wheels (+ \$1,000) 	GLE 350 GLE 450	\$ 2,900 \$ 3,250



<i>Code</i>	<i>Packages</i>	<i>Availability</i>	<i>MSRP</i>
DG2PKG	<p>AMG Line Interior <i>Not with Multicontour Seats (399)</i></p> <ul style="list-style-type: none"> ▪ P29 – AMG Line Interior <ul style="list-style-type: none"> ▪ Sports seats for driver and front passenger with specific seat upholstery layout <ul style="list-style-type: none"> • 601A/801A/885A ▪ AMG sports pedals in brushed stainless steel with black rubber studs ▪ L5C – Multifunction sport steering wheel w/ flat bottom and perforated grip area ▪ U26 – AMG Floor Mats 	All Models	\$ 400
DC1PKG	<p>Night Package</p> <ul style="list-style-type: none"> ▪ P55 – Night Package Code <ul style="list-style-type: none"> ▪ Black elements: front splitter, grille trim, rear diffuser, side mirrors, window trim, and roof rails ▪ Wheel choice of: <ul style="list-style-type: none"> ▪ RZW – 20" AMG 5-Spoke Wheels w/ Black Accents ▪ RWB – 21" AMG Multispoke Wheels w/ Black Accents (+ \$1,000) 	All Models	\$ 300
DB0PKG	<p>Warmth and Comfort Package</p> <ul style="list-style-type: none"> ▪ P68 – Warmth and Comfort Package code <ul style="list-style-type: none"> ▪ 906 – Heated Armrest and Door Panels in the Front ▪ 902 – Rapid Heating Front Seats 	All Models	\$ 1,050
DB4PKG	<p>3rd Row Seat Package <i>Includes Runflat Tires (R66) with 19-20" wheels</i> <i>Includes Tire fit (B51) with 21" wheels</i> <i>Requires Passenger Seat Memory (P64)</i> <i>Not with Spare wheel (690)</i></p> <ul style="list-style-type: none"> ▪ 847 – 3rd Row Seat ▪ 567 – Power 2nd Row Seat ▪ 72B – Additional 2 USB Type-C ports in 3rd row 	All Models	\$ 2,100



<i>Code</i>	<i>Packages</i>	<i>Availability</i>	<i>MSRP</i>
DA0PKG	<p>MBUX Technology Package <i>Not with Burmester® High-End 3D Surround Sound System (811)</i> <i>Requires MB-Tex Dashboard and Door Beltlines (U09)</i></p> <ul style="list-style-type: none"> ▪ PAU – MBUX Technology Package Code <ul style="list-style-type: none"> ▪ U19 – MBUX Augmented Video for Navigation ▪ 463 – Head-Up Display ▪ 77B – MBUX Interior Assistant (Gesture Control) 	All Models	\$ 1,600
DC5PKG	<p>Acoustic Comfort Package</p> <ul style="list-style-type: none"> ▪ PAF – Acoustic Comfort Code <ul style="list-style-type: none"> ▪ Increased Cabin Insulation, Windshield with Infrared-Reflecting film, Side Windows with Acoustic ▪ Infrared Absorbing Film 	All Models	\$ 1,100
DC7PKG	<p>E-ACTIVE BODY CONTROL® <i>Requires 20" wheels or larger, AIRMATIC Suspension standard for GLE 580 (489)</i></p> <ul style="list-style-type: none"> ▪ 489 – AIRMATIC Suspension ▪ 490 – E-ABC® ▪ 481 – Underguard 	GLE 450 GLE 580 4M	\$ 8,200 \$ 6,500
DC8PKG	<p>AIRMATIC Suspension <i>Standard on GLE 580 4MATIC</i></p> <ul style="list-style-type: none"> ▪ 489 – AIRMATIC Suspension ▪ 215 – Adaptive Damping System PLUS 	GLE 350 4M/450 4M	\$ 1,710
DB8PKG	<p>ENERGIZING Comfort Package Plus <i>Requires Premium Package (DP1PKG) and Warmth and Comfort Package (DB0PKG)</i> <i>Not with AMG Line Interior (DG2PKG)</i></p> <ul style="list-style-type: none"> ▪ PBR – ENERGIZING Package Code <ul style="list-style-type: none"> ▪ P21 – AIR-BALANCE Package ▪ 401 – Ventilated Front Seats ▪ 399 – Multicontour Front Seats with Massage Function 	All Models	\$ 2,100

Stand-Alone Options



<i>Code</i>	<i>Options</i>	<i>Availability</i>	<i>MSRP</i>
L3D	Wood/Leather Steering Wheel <i>Requires Natural grain grey oak (H31), designo® high-gloss brown flowing lines linden (H34), Natural grain brown walnut (H22)</i>	All Models	\$ 600
P21	AIR-BALANCE Package	All Models	\$ 350
297	Powered Rear Side-Window Sunshades	All Models	\$ 580
311	Heated/Cooled Cup Holders <i>Requires Premium Package (DP1PKG)</i>	All Models	\$ 180
399	Multicontour Front Seats with Massage Feature <i>Not with AMG Line Interior (P29) Requires Ventilated Front Seats (401) Requires Rapid Heating Seats (902) or Warmth and Comfort Pkg (DB0PKG) Requires Upholstery Leather (200A) or Nappa (958A)</i>	All Models	\$ 1,100
401	Ventilated Front Seats <i>Will be available with MB-TEX for the first time Not with AMG Line DINAMICA (601)</i>	All Models	\$ 450
413	Panorama Power Tilt/Sliding Sunroof	All Models	\$ 1,000
443	Heated Steering Wheel <i>Not with AMG Sport Steering Wheel (L5C)</i>	All Models	\$ 250
513	Traffic Sign Assist	All Models	\$ 295
550	Trailer Hitch <i>Includes Increased Towing Capacity (557) Not available as accessory retrofit</i>	All Models	\$ 575
581	4-Zone Climate Control	All Models	\$ 860
811	Burmester® High-End 3D Surround Sound System <i>Not with MBUX Interior Assistant (77B) Requires Premium Package (DP1PKG)/ Ambient Lighting (876)</i>	All Models	\$ 5,400

Stand-Alone Options



<i>Code</i>	<i>Options</i>	<i>Availability</i>	<i>MSRP</i>
846	Illuminated Running Boards <i>Not available as accessory retrofit</i>	All Models	\$ 650
872	Heated Rear Seats	All Models	\$ 580
883	Soft Close Doors	All Models	\$ 550
876	Ambient lighting with 64 colors and illuminated door sills	GLE 350/450	\$ 310
61U	Black DINAMICA Headliner <i>Not with upholstery 115A or 205A or AMG Line Interior (DG2PKG)</i>	All Models	\$ 1,600
U09	MB-Tex Dashboard and Door Beltlines	All Models	\$ 700
U19	MBUX Augmented Video for Navigation	All Models	\$ 300
U38	Dashboard and Door Beltlines in Nappa Leather <i>Requires Black/ Magma Grey Exclusive Nappa Leather (958A)</i>	All Models	\$ 700
P64	Passenger Seat Memory	All Models	\$ 350

<i>Code</i>	<i>VPC Installed Accessories</i>	<i>Availability</i>	<i>MSRP</i>
D03	Illuminated Star <i>Not with Active Distance Assist DISTRONIC®</i>	All Models	\$ 500
D08	Chrome Door Handle Inserts	All Models	\$ 100
D11	Roof Spoiler	All Models	\$ 600
D24	Black Side Claddings	All Models	\$ 450
D26	Load Sill Protection	All Models	\$ 150
D27	Wheel Locking Bolts	All Models	\$ 150



Headlamps



LED Headlamps (632)

Standard

- Excellent illumination of the road.
- Unmistakable look by day or night
- Long operating life
- Color spectrum close to natural daylight
- Low energy consumption



LED Intelligent Light System w/ Ultra Range Highbeam

Option Price: \$900

Requires Advanced Lighting Package (DA4PKG)

- Advanced LED headlamps and Ultra Range Highbeams
- Ultra Range Highbeam produce light at an increased range for maximum illumination of the road and surround area
- Adaptive Highbeam Assist is also part of the LED Intelligent Light System and allows drivers to drive with activated main beams without dazzling other motorists or pedestrians





AMG Line Interior (DG2PKG)



Standard Interior

Steering Wheel	Upholstery
	
Other Equipment Floor mats with AMG lettering; sport pedals in stainless steel; interior elements in silver chrome	

AMG Line Interior (DG2PKG)



Steering Wheel



Nappa Leather Multifunction Steering Wheel (L3B)

Standard on all models

- Newly redesigned 3-spoke multifunction steering wheel in nappa leather
- Touch Control buttons for direct control of the instrument cluster and to control the functions of the multimedia system.
- Bezel and buttons in silver shadow
- Shift panels in black



Wood/Leather Steering Wheel (L3D)

Option Price: \$600

Requires design high-gloss lime (H34), grey open-pore oak (H31) or brown open-pore walnut (H22)

- The 3-spoke multifunction steering wheel in wood/leather combines fine materials with innovative ease of operation.



AMG Sport Steering Wheel (L5C)

Requires AMG Line Interior (DG2PKG)

Not with Heated Steering Wheel (443)

- Elegant 3-spoke multifunction steering wheel design, flattened bottom section with a particularly compact, and extremely sporty look/feel
- Bezel and buttons in silver shadow
- Shift panels in silver shadow
- Perforated grip area



Heated Steering Wheel (443)

Option Price: \$250

Not with AMG Line Interior (DG2PKG)

- On cold days, the heated 3-spoke steering wheel rim very quickly warms the grip area of the steering wheel to ensure pleasantly warm hands.
- The function is switched on and off by turning the control lever for adjusting the multifunction steering wheel.





Burmester® Surround Sound Systems



Burmester® Surround Sound System (810)

Included in Premium Package (DP1PKG)

Standard on GLE 580 4MATIC

- 13 high-performance speakers precisely configured for the vehicle interior to ensure well-balanced and very dynamic music reproduction
- 9-channel DSP amplifier with a total output of 590 watts (7 x 50 W and 2 x 120 W) for maximum sound quality with very high volume reserves
- Frontbass® technology with woofers integrated into the body-in-white
- Sound optimization for the front and rear seats
- Vehicle noise compensation (VNC)
- Sound preset: surround function to generate virtual all-round sound
- Support for popular multi-channel formats for true surround sound



Burmester® High-End 3D Surround Sound System (811)

Option Price \$5,400

Not with MBUX Interior Assistant (77B), AMG Line Exterior (DG1)

Requires Premium Package (DP1PKG)/ Ambient Lighting (876)

- 25 high-end speakers including subwoofer and speaker units in the roof liner
- 26-channel amplifier with digital and active analogue filters and an output of 1190 watts plus an additional subwoofer booster amplifier delivering 400 watts (total system output 1590 watts)
- VIP seat function to optimize the sound for individual seats
- Mid-range, low- to mid-range and Frontbass speakers with membranes made of glass-fibre fabric
- Noise compensation (VNC) for dynamic equalizing
- Supports multichannel audio formats



Roof Spoiler (D11)



European images shown - wheels n/a in US



Black Side Claddings (D24)



Black Side Claddings (D24)

Option price: \$450

- New GLE side cladding highlights new GLE side lines
- Side cladding protects vehicle from unwanted contacts
- Matt black surface
- New design feature adding an individual look to light colored customer vehicles
- Covers front an rear doors

European picture shown – wheels n/a in US



Load Sill Protector (D26)



W166



V167



V167 with accessories load sill protector

Load Sill Protection (D26)

Option price: \$150

- Contrary to GLE W166, the new GLE will no longer feature a standard chrome load sill guard
- The load sill guard is specifically designed for the new GLE bumper shape and does not only cover load sill but also load sill-bumper edge



Specifications



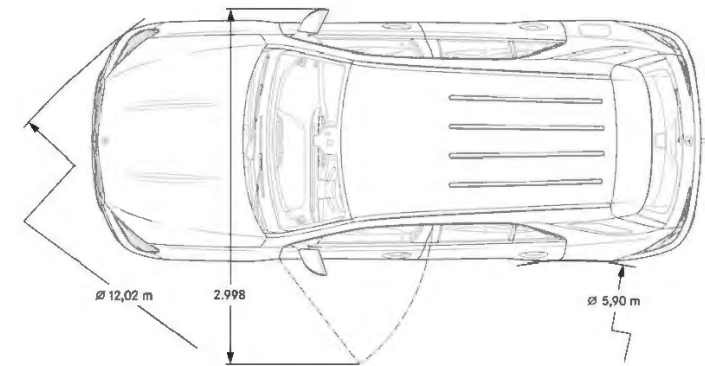
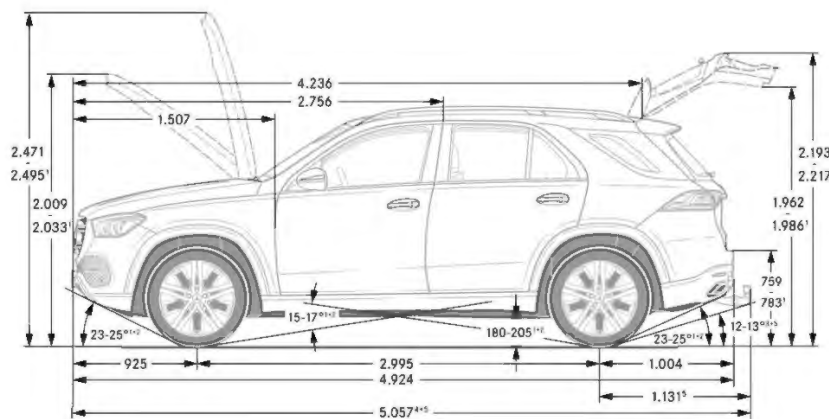
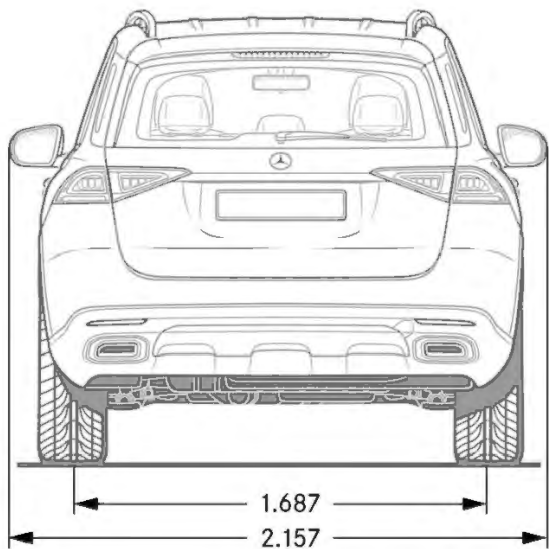
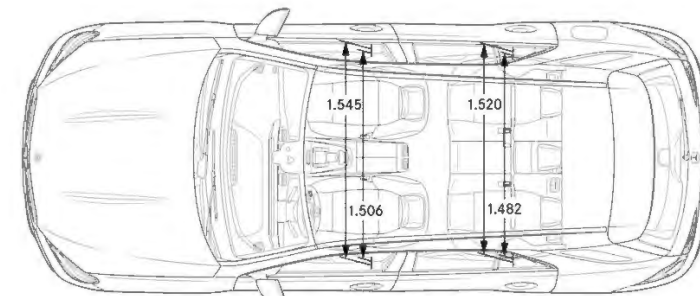
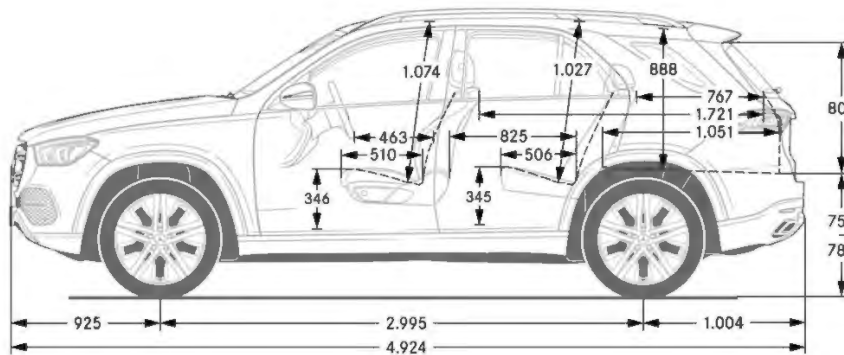
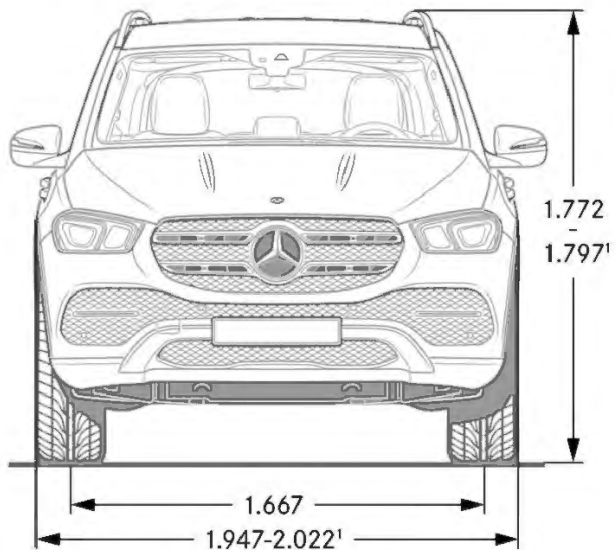
	<i>GLE 350</i>	<i>GLE 350 4MATIC</i>	<i>GLE 450 4MATIC</i>
Engine Configuration	2.0L inline-4 turbo engine	2.0L inline-4 turbo engine	3.0L inline-6 turbo engine w/ EQ Boost
Power (hp)	255	255	362
Electric motor (hp), System output (hp)	-	-	21
Torque (lb-ft)	273	273	369
Electric Motor (lb-ft), System Torque (lb-ft)	-	-	184
Displacement (cc)	1,991	1,991	2,999
Acceleration 0-60 mph (sec)	7.0	7.1	5.5
Fuel Economy (Cty/Hwy/Comb)	Tbd	19/26/22	19/24/21
Top Speed (mph)	130	130	130
Fuel Requirement (Octane)	91	91	91
Compression	10.5 : 1	10.5 : 1	10.5 : 1
Transmission	9G-TRONIC 9-Speed Automatic Transmission	9G-TRONIC 9-Speed Automatic Transmission	9G-TRONIC 9-Speed Automatic Transmission
Transmission Speeds	9	9	9
Drive Configuration	Rear-wheel drive	All-wheel drive	All-wheel drive
Fuel Tank Size (gallons)	22.5	22.5	22.5
Trunk Size (cubic feet)	Tbd	Tbd	Tbd
Curb Weight (lbs)	Tbd	Tbd	Tbd
Maximum Load (lbs)	Tbd	Tbd	Tbd
Vehicle Length (in.)	193.9	193.9	193.9
Vehicle Width w/ exterior mirrors (in.)	84.9	84.9	84.9
Vehicle Height (in.)	70.8	70.8	70.8
Wheelbase (in.)	117.9	117.9	117.9
Track Width Front/Rear (in.)	65.63/66.42	65.63/66.42	65.63/66.42
Towing Capacity (lbs)	Tbd	7,700	7,700



GLE 580 4MATIC

Engine Configuration	4.0L V8 biturbo engine w/ EQ Boost
Power (hp)	483
Electric motor (hp), System output (hp)	21
Torque (lb-ft)	516
Electric Motor (lb-ft), System Torque (lb-ft)	184
Displacement (cc)	3,982
Acceleration 0-60 mph (sec)	4.9
Fuel Economy (Cty/Hwy/Comb)	Tbd
Top Speed (mph)	130
Fuel Requirement (Octane)	91
Compression	10.5 : 1
Transmission	9G-TRONIC 9-Speed Automatic Transmission
Transmission Speeds	9
Drive Configuration	All-wheel drive
Fuel Tank Size (gallons)	22.5
Trunk Size (cubic feet)	Tbd
Curb Weight (lbs)	Tbd
Maximum Load (lbs)	Tbd
Vehicle Length (in.)	194.1
Vehicle Width w/ exterior mirrors (in.)	84.9
Vehicle Height (in.)	70.7
Wheelbase (in.)	117.9
Track Width Front/Rear (in.)	66.06/67.87
Towing Capacity (lbs)	Tbd

Specifications* – GLE 350 & 450



Specifications* – GLE 350 & 450 w/ AMG Line; GLE 580

