

2022 GLE SUV Order Guide



Table of Contents

| | |
|-----|---------------------------------------|
| 1 | General Information |
| 2 | What's New |
| 3 | Models |
| 4 | Equipment |
| 4.1 | Standard Equipment |
| 4.2 | Exterior Paint Colors |
| 4.3 | Wheels |
| 4.4 | Interior Upholstery |
| 4.6 | Interior Trims |
| 4.7 | Packages |
| 4.8 | Options |
| 4.9 | Specifications |
| 5 | Options In Detail |
| 6 | Gallery |



General Information

Important Note

The information presented in this guide is based on the most current information available and is intended for internal use only. Mercedes-Benz reserves the right to make changes at any time, without notice, to colors, materials, equipment, special specifications and models.

Pricing may not yet be finalized for some models or options.

Due to variances among monitors and printers the colors that appear on your screen and printouts may not be exact.

For illustrative purposes, some images may show vehicles with European Specification.

Revision History

| Date | Description |
|------------|---|
| 09/01/2021 | Update: As you are aware, MBUSA is experiencing challenges with the availability of semiconductor components due to the worldwide shortage. This has caused the addition and/or removal of certain options on vehicles. A summary of recent changes is below: Limited availability of AIR BALANCE (P21) |
| 09/01/2021 | Updated price of Load Sill Protectors (D26) |
| 08/30/2021 | Pricing for MANUFAKTUR paints updated for MY22 |
| 08/30/2021 | MY22 MSRPs added for Mercedes-Benz models |
| 08/16/2021 | Orders and production scheduling for MY22 AMG GLE63S are suspended. |
| 08/13/2021 | Orders and production scheduling for MY22 GLE580 are suspended. |
| 07/23/2021 | Update: As you are aware, MBUSA is experiencing challenges with the availability of semiconductor components due to the worldwide shortage. This has caused the addition and/or removal of certain options on vehicles. A summary of the changes is below: Wireless Charging, AIRMATIC Suspension, RXS and RXT wheels, Augmented Video for Navigation, and Dashcam are subject to limited availability |
| 06/03/2021 | All-Season floor mats now available |
| 06/02/2021 | Augmented Video for Navigation (U19) and Dashcam (21U) have delayed availability. |
| 05/25/2021 | MY22 DOG initially published |



What's New

Exterior

- **Cirrus Silver (922) replaces Iridium Silver (775)**

Interior

- **Espresso Brown/Black Leather (214) will be available for MY22**
- **White/Black Nappa Leather (885) will be available for MY22**

Packages and Stand-Alone Options

- **Air Balance (P21) no longer available on GLE 350W/W4**
- **Black DINAMICA headliner (61U) no longer available on GLE 350W/W4, GLE 450W4, or GLE 580W4**
- **Power Rear Side-Window Sunshade no longer available on GLE 350W/W4 or GLE 450W4**

Standard Equipment

- **Adaptive Highbeam Assist (608) now standard**



Models



GLE350W (167.148)

- MSRP: \$55,700
- Transmission: 9G-TRONIC 9-Speed Automatic Transmission
- Acceleration 0-60pmg (sec): 7.0
- Engine Configuration: 2.0L inline-4 turbo engine
- Power (hp): 255 hp
- Torque (lb-ft): 273 lb-ft
- Launch Date: Late 2021



GLE350W4 (167.149)

- MSRP: \$58,200
- Transmission: 9G-TRONIC 9-Speed Automatic Transmission
- Acceleration 0-60pmg (sec): 7.1
- Engine Configuration: 2.0L inline-4 turbo engine
- Power (hp): 255 hp
- Torque (lb-ft): 273 lb-ft
- Launch Date: Late 2021



GLE450W4 (167.159)

- MSRP: \$63,500
- Transmission: 9G-TRONIC 9-Speed Automatic Transmission
- Acceleration 0-60pmg (sec): 5.5
- Engine Configuration: 3.0L inline-6 turbo engine
- Power (hp): 362 hp
- Torque (lb-ft): 369 lb-ft
- Launch Date: Late 2021



GLE580W4 (167.186)

- MSRP: TBD
- Launch Date: SUSPENDED



Standard Equipment

GLE350W



Performance & Handling

- 9G-TRONIC 9-Speed Automatic Transmission
- All Season Tires
- 19" MB wheels
- 2.0L inline-4 turbo engine (255 hp, 273 lb-ft)

Comfort & Convenience

- KEYLESS-START
- Power tilt/sliding sunroof
- Multifunctional steering wheel with Touch Controllers
- MBUX User Interface
- 12.3" Media Display with touchscreen
- Apple CarPlay and Android Auto
- HERMES Communications module LTE
- Active Parking Assist
- Power Front Seats with 4-Way Lumbar Support and Driver Memory
- Garage Door Opener
- Power Lift gate
- Double Sun Visors
- Mirror Package (Power Folding Mirrors, Auto-dimming Driver and Rearview Mirrors, Mirror Logo Projector)
- HANDS-FREE-ACCESS
- 64 Color Ambient Lighting
- Remote Start
- LED headlamps
- Touchpad in center console
- 12.3" fully digital instrument cluster
- Smartphone Integration
- 5 USBs (3 in front, 2 in rear)
- MB Navigation with Live Traffic and Map Updates for 3 years
- Heated Front Seats
- 2-Zone Climate control
- Load Compartment Cover
- Spare tire
- Privacy Glass
- Roof rails
- Wireless Charging (Delayed Availability)
- SiriusXM Radio

Safety & Security

- ATTENTION ASSIST®
- Rear View Camera
- Active Brake Assist
- Car Exit Warning
- Adaptive Highbeam Assist
- Blind Spot Assist
- PRE-SAFE®
- eCall-Emergency System
- Enhanced Alarm System with Parking Damage Detection



Performance & Handling

- 9G-TRONIC 9-Speed Automatic Transmission
- All Season Tires
- 19" MB wheels
- 2.0L inline-4 turbo engine (255 hp, 273 lb-ft)

Comfort & Convenience

- KEYLESS-START
- Power tilt/sliding sunroof
- Multifunctional steering wheel with Touch Controllers
- MBUX User Interface
- 12.3" Media Display with touchscreen
- Apple CarPlay and Android Auto
- HERMES Communications module LTE
- Active Parking Assist
- Power Front Seats with 4-Way Lumbar Support and Driver Memory
- Garage Door Opener
- Power Lift gate
- Double Sun Visors
- Mirror Package (Power Folding Mirrors, Auto-dimming Driver and Rearview Mirrors, Mirror Logo Projector)
- HANDS-FREE-ACCESS
- SiriusXM Radio
- Remote Start
- LED headlamps
- Touchpad in center console
- 12.3" fully digital instrument cluster
- Smartphone Integration
- 5 USBs (3 in front, 2 in rear)
- MB Navigation with Live Traffic and Map Updates for 3 years
- Heated Front Seats
- 2-Zone Climate control
- Load Compartment Cover
- Spare tire
- Privacy Glass
- Roof rails
- 64 Color Ambient Lighting
- Wireless Charging (Delayed Availability)

Safety & Security

- ATTENTION ASSIST®
- Rear View Camera
- Active Brake Assist
- Car Exit Warning
- Adaptive Highbeam Assist
- Blind Spot Assist
- PRE-SAFE®
- eCall-Emergency System
- Enhanced Alarm System with Parking Damage Detection



Performance & Handling

- 9G-TRONIC 9-Speed Automatic Transmission
- All Season Tires
- 19" MB wheels
- New 3.0L inline-6 turbo engine with EQ Boost (362 hp, 369 lb-ft, EQ Boost outputs 21hp and up to 184 lb-ft)

Comfort & Convenience

- KEYLESS-START
- Power tilt/sliding sunroof
- Multifunctional steering wheel with Touch Controllers
- MBUX User Interface
- 12.3" Media Display with touchscreen
- Apple CarPlay and Android Auto
- HERMES Communications module LTE
- Active Parking Assist
- Power Front Seats with 4-Way Lumbar Support and Driver Memory
- Garage Door Opener
- Power Lift gate
- Double Sun Visors
- Mirror Package (Power Folding Mirrors, Auto-dimming Driver and Rearview Mirrors, Mirror Logo Projector)
- HANDS-FREE-ACCESS
- SiriusXM Radio
- Remote Start
- LED headlamps
- Touchpad in center console
- 12.3" fully digital instrument cluster
- Smartphone Integration
- 5 USBs (3 in front, 2 in rear)
- MB Navigation with Live Traffic and Map Updates for 3 years
- Heated Front Seats
- 2-Zone Climate control
- Load Compartment Cover
- Spare tire
- Privacy Glass
- Roof rails
- 64 Color Ambient Lighting
- Wireless Charging (Delayed Availability)

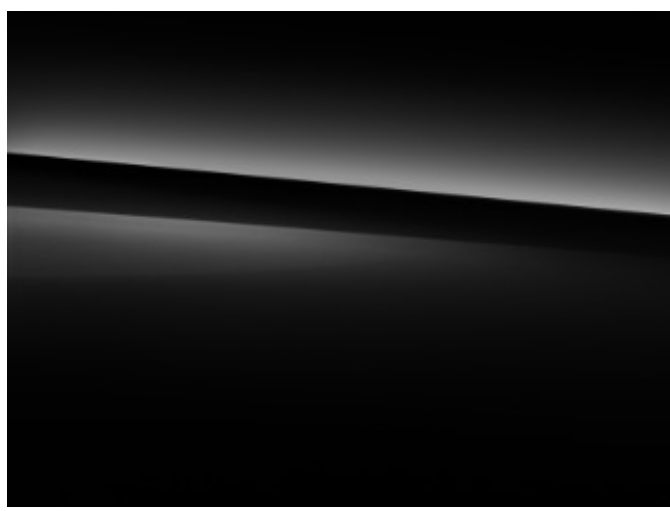
Safety & Security

- ATTENTION ASSIST®
- Rear View Camera
- Active Brake Assist
- Car Exit Warning
- Adaptive Highbeam Assist
- Blind Spot Assist
- PRE-SAFE®
- eCall-Emergency System
- Enhanced Alarm System with Parking Damage Detection

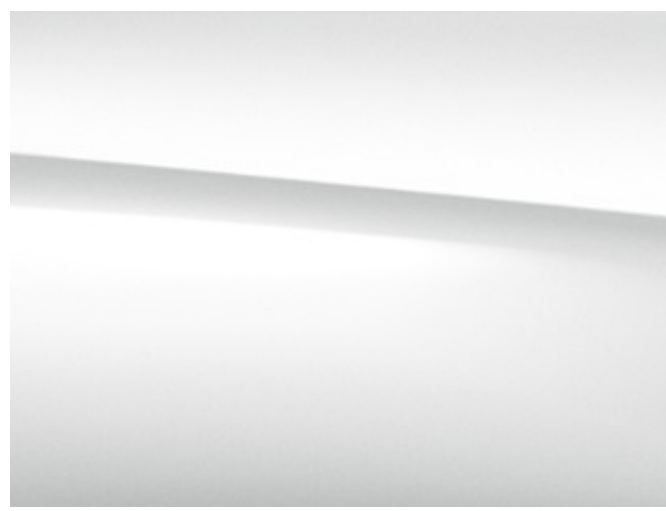


Paint

Non-Metallic Paints

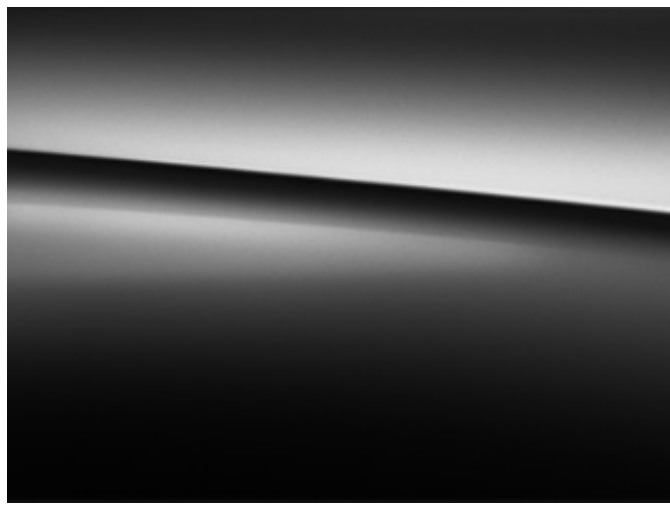


040U - Black

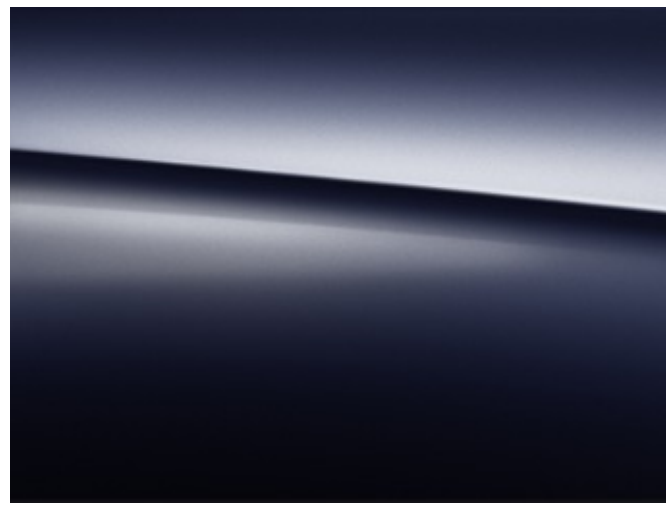


149U - Polar White

Metallic Paints



197U - Obsidian Black

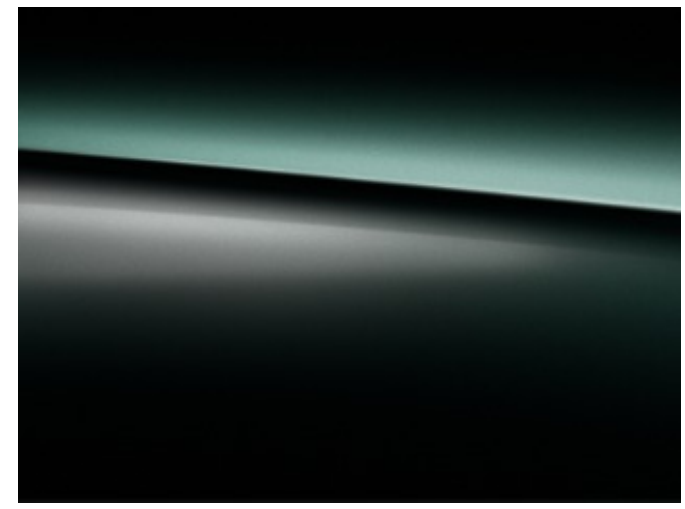


890U - Lunar Blue

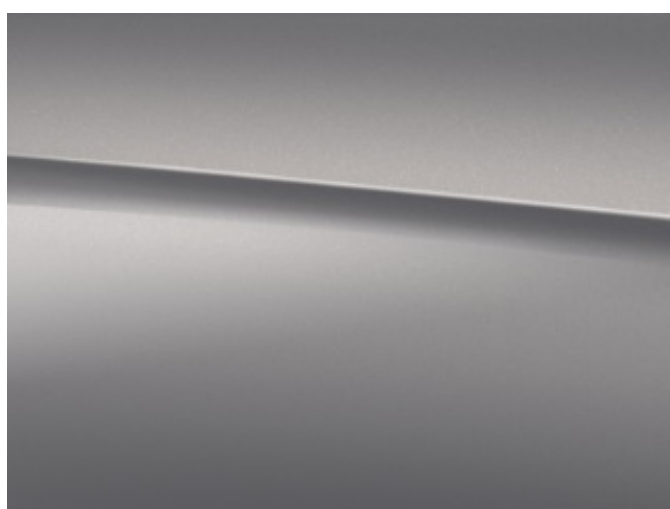
NEW



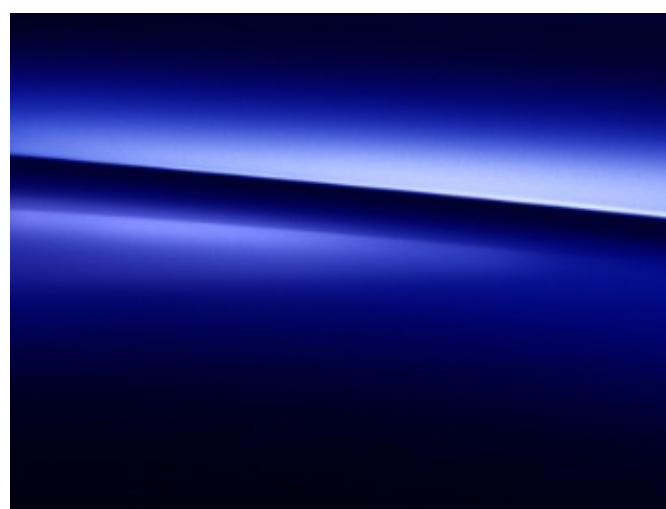
922U - Cirrus Silver



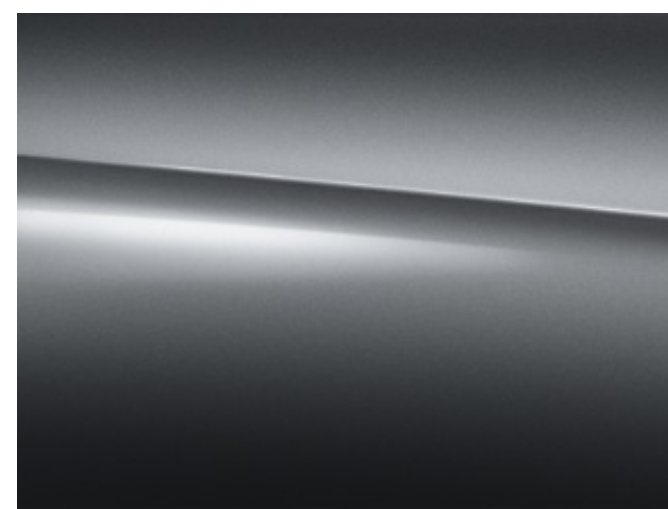
989U - Emerald Green



859U - Mojave Silver

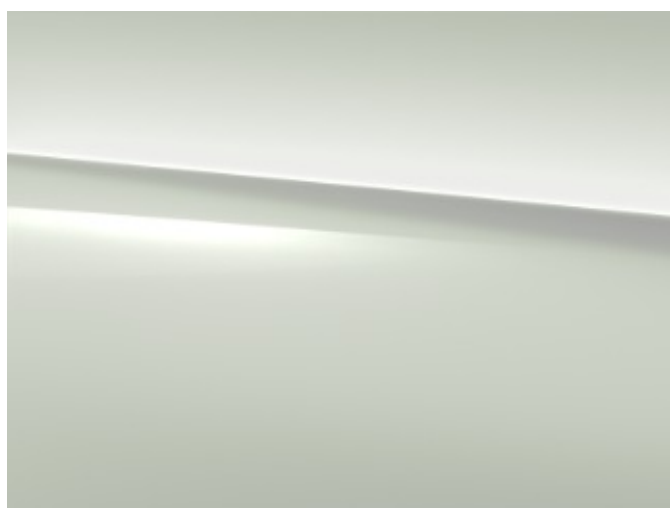


896U - Brilliant Blue



992U - Selenite Grey

MANUFAKTUR Paints



799U - Diamond White Bright



996U - Cardinal Red Metallic

| <i>Code</i> | <i>Description</i> | <i>Availability</i> | <i>Price</i> |
|---------------|-----------------------|-----------------------------------|--------------|
| 040U | Black | GLE350W, GLE350W4, GLE450W4 | \$0 |
| 149U | Polar White | GLE350W, GLE350W4, GLE450W4 | \$0 |
| 197U | Obsidian Black | GLE350W, GLE350W4, GLE450W4 | \$750 |
| 890U | Lunar Blue | GLE350W, GLE350W4, GLE450W4 | \$750 |
| 922U (New) | Cirrus Silver | GLE350W, GLE350W4, GLE450W4 | \$750 |
| 989U | Emerald Green | GLE350W, GLE350W4, GLE450W4 | \$750 |
| 859U | Mojave Silver | GLE350W, GLE350W4, GLE450W4 | \$750 |
| 896U | Brilliant Blue | GLE350W, GLE350W4, GLE450W4 | \$750 |
| 992U | Selenite Grey | GLE350W, GLE350W4, GLE450W4 | \$750 |
| 799U | Diamond White Bright | GLE350W, GLE350W4, GLE450W4 | \$1,750 |
| 996U | Cardinal Red Metallic | GLE350W, GLE350W4, GLE450W4 | \$1,750 |



Wheels



R26 - 19" Twin 5-Spoke Wheels

19"

R02 (All-Season tires), 690 (Spare Wheel)
19" Twin 5-Spoke Wheels
255/50 R19 on 8 J x 19 ET 61 (Front) 255/50 R19 on 8 J x 19 ET 61 (Rear)



15R - 19" Multispoke Wheels

19"

R02 (All-Season tires), 690 (Spare Wheel)
19" Multispoke Wheels
255/50 R19 on 8 J x 19 ET 61 (Front) 255/50 R19 on 8 J x 19 ET 61 (Rear)



50R - 20" Twin 5-Spoke Wheels

20"

R02 (All-Season tires), 690 (Spare Wheel)
20" Twin 5-Spoke Wheels
275/50 R20 on 8.5 J x 20 ET 55.5 (Front) 275/50 R20 on 8.5 J x 20 ET 42 (Rear)



R77 - 21" Twin 5-Spoke Wheels

21"

R02 (All-Season tires), 690 (Spare Wheel)
21" Twin 5-Spoke Wheels
275/45 R21 on 10 J x 21 ET 54 (Front) 315/40 R21 on 11 J x 21 ET 49 (Rear)



RZV - 20" AMG Twin 5-Spoke Wheels

Standard on GLE 580 4M. Requires AMG Line Exterior (DG1PKG)

20"

R02 (All-Season tires), 690 (Spare Wheel)
20" AMG Twin 5-Spoke Wheels
275/50 R20 on 9 J x 20 ET 57 (Front) 275/50 R20 on 9 J x 20 ET 44 (Rear)



RZW - 20" AMG 5-Spoke Wheels w/ Black Accents

Requires AMG Line Exterior (DG1PKG). Requires Night Package (DC1PKG)

20"

R02 (All-Season tires), 690 (Spare Wheel)
20" AMG 5-Spoke Wheels w/ Black Accents
275/50 R20 on 9 J x 20 ET 57 (Front) 275/50 R20 on 9 J x 20 ET 44 (Rear)



RWA - 21" AMG Multispoke Wheels

Requires AMG Line Exterior (DG1PKG)

21"

R02 (All-Season tires), 690 (Spare Wheel)
21" AMG Multispoke Wheels
275/45 R21 on 10 J x 21 ET 54 (Front) 315/40 R21 on 11 J x 21 ET 49 (Rear)



RWB - 21" AMG Multispoke Wheels w/ Black Accents

Requires AMG Line Exterior (DG1PKG). Requires Night Package (DC1PKG)

21"

R02 (All-Season tires), 690 (Spare Wheel)
21" AMG Multispoke Wheels w/ Black Accents
275/45 R21 on 10 J x 21 ET 54 (Front) 315/40 R21 on 11 J x 21 ET 49 (Rear)

LIMITED AVAILABILITY



RXS - 22" AMG Twin 5-Spoke Wheels

Requires AMG Line Exterior (DG1PKG). Requires AIRMATIC Suspension Package (DC8PKG)

22"

R01 (High-Performance tires), 690 (Spare Wheel)
22" AMG Twin 5-Spoke Wheels
285/40 R 22 on 10 J 22 ET 56.1 (Front) 325/35 R 22 on 11 J 22 ET 50 (Rear)

LIMITED AVAILABILITY



RXT - 22" AMG Twin 5-Spoke Wheels w/ Black Accents

Requires AMG Line Exterior (DG1PKG). Requires Night Package (DC1PKG). Requires AIRMATIC Suspension Package (DC8PKG)

22"

R01 (High-Performance tires), 690 (Spare Wheel)
22" AMG Twin 5-Spoke Wheels w/ Black Accents
285/40 R 22 on 10 J 22 ET 56.1 (Front) 325/35 R 22 on 11 J 22 ET 50 (Rear)

| Code | Wheel Size | Description | Wheel Dimensions | Mobility | Availability | MSRP |
|-------------------------------|------------|---|---|--|-----------------------------------|---------|
| R26 | 19" | 19" Twin 5-Spoke Wheels | 255/50 R19 on 8 J x 19 ET 61 (Front) 255/50 R19 on 8 J x 19 ET 61 (Rear) | R02 (All-Season tires), 690 (Spare Wheel) | GLE350W, GLE350W4, GLE450W4 | \$0 |
| 15R | 19" | 19" Multispoke Wheels | 255/50 R19 on 8 J x 19 ET 61 (Front) 255/50 R19 on 8 J x 19 ET 61 (Rear) | R02 (All-Season tires), 690 (Spare Wheel) | GLE350W, GLE350W4, GLE450W4 | \$0 |
| 50R | 20" | 20" Twin 5-Spoke Wheels | 275/50 R20 on 8.5 J x 20 ET 55.5 (Front) 275/50 R20 on 8.5 J x 20 ET 42 (Rear) | R02 (All-Season tires), 690 (Spare Wheel) | GLE350W, GLE350W4, GLE450W4 | \$850 |
| R77 | 21" | 21" Twin 5-Spoke Wheels | 275/45 R21 on 10 J x 21 ET 54 (Front) 315/40 R21 on 11 J x 21 ET 49 (Rear) | R02 (All-Season tires), 690 (Spare Wheel) | GLE350W, GLE350W4, GLE450W4 | \$1,950 |
| RZV | 20" | 20" AMG Twin 5-Spoke Wheels Standard on GLE 580 4M. Requires AMG Line Exterior (DG1PKG) | 275/50 R20 on 9 J x 20 ET 57 (Front) 275/50 R20 on 9 J x 20 ET 44 (Rear) | R02 (All-Season tires), 690 (Spare Wheel) | GLE350W, GLE350W4, GLE450W4 | \$0 |
| RZW | 20" | 20" AMG 5-Spoke Wheels w/ Black Accents Requires AMG Line Exterior (DG1PKG). Requires Night Package (DC1PKG) | 275/50 R20 on 9 J x 20 ET 57 (Front) 275/50 R20 on 9 J x 20 ET 44 (Rear) | R02 (All-Season tires), 690 (Spare Wheel) | GLE350W, GLE350W4, GLE450W4 | \$0 |
| RWA | 21" | 21" AMG Multispoke Wheels Requires AMG Line Exterior (DG1PKG) | 275/45 R21 on 10 J x 21 ET 54 (Front) 315/40 R21 on 11 J x 21 ET 49 (Rear) | R02 (All-Season tires), 690 (Spare Wheel) | GLE350W, GLE350W4, GLE450W4 | \$1,100 |
| RWB | 21" | 21" AMG Multispoke Wheels w/ Black Accents Requires AMG Line Exterior (DG1PKG). Requires Night Package (DC1PKG) | 275/45 R21 on 10 J x 21 ET 54 (Front) 315/40 R21 on 11 J x 21 ET 49 (Rear) | R02 (All-Season tires), 690 (Spare Wheel) | GLE350W, GLE350W4, GLE450W4 | \$1,100 |
| RXS (Limited Availability) | 22" | 22" AMG Twin 5-Spoke Wheels Requires AMG Line Exterior (DG1PKG). Requires AIRMATIC Suspension Package (DC8PKG) | 285/40 R 22 on 10 J 22 ET 56.1 (Front) 325/35 R 22 on 11 J 22 ET 50 (Rear) | R01 (High-Performance tires), 690 (Spare Wheel) | GLE450W4 | \$2,450 |
| RXT (Limited Availability) | 22" | 22" AMG Twin 5-Spoke Wheels w/ Black Accents Requires AMG Line Exterior (DG1PKG). Requires Night Package (DC1PKG). Requires AIRMATIC Suspension Package (DC8PKG) | 285/40 R 22 on 10 J 22 ET 56.1 (Front) 325/35 R 22 on 11 J 22 ET 50 (Rear) | R01 (High-Performance tires), 690 (Spare Wheel) | GLE450W4 | \$2,450 |



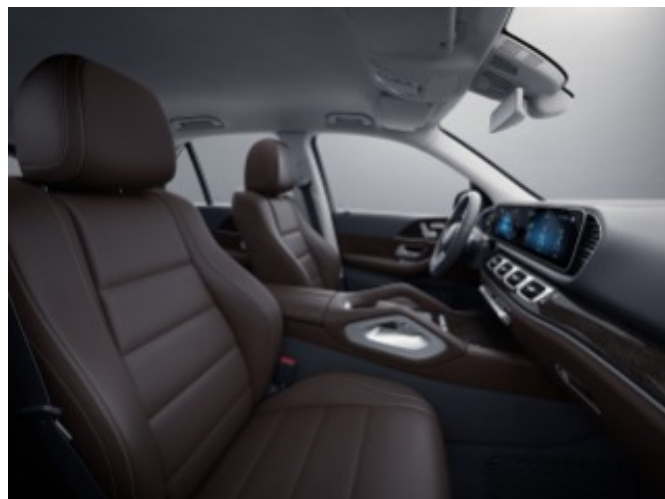
Upholstery

MB Tex



111A - Black MB-Tex

MB-Tex not with Multicontour Seat (399)



134A - Espresso Brown / Black MB-Tex

MB-Tex not with Multicontour Seat (399)



135A - Macchiato/ Black MB-Tex

MB-Tex not with Multicontour Seat (399)



601A - Black MB-Tex w/ DINAMICA insert

Requires AMG Line Interior (DG2PKG). Not with Multicontour Seats (399). AMG Line upholstery (601/801/885) only available with headliner black (51U).

Leather



201A - Black leather

Requires Passenger Seat Memory (P64).
Standard on GLE 580 4MATIC
Textured Leather



214A - Espresso Brown/ Black Leather

Requires Passenger Seat Memory (P64).
Standard on GLE 580 4MATIC
Textured Leather



215A - Macchiato/ Black Leather

Requires Passenger Seat Memory (P64).
Standard on GLE 580 4MATIC

Nappa Leather



801A - Black Nappa Leather

Requires AMG Line Interior (DG2PKG) and Passenger Memory (P64). Not with Multicontour Seats (399). AMG Line upholstery (601/801/885) only available with headliner black (51U)



885A - White/ Black Nappa Leather

Requires AMG Line Interior (DG2PKG) and Passenger Memory (P64). Not with Multicontour Seats (399). AMG Line upholstery (601/801/885) only available with headliner black (51U)

Exclusive Nappa Leather



951A - Black Exclusive Nappa Leather

Requires Passenger Seat Memory (P64)

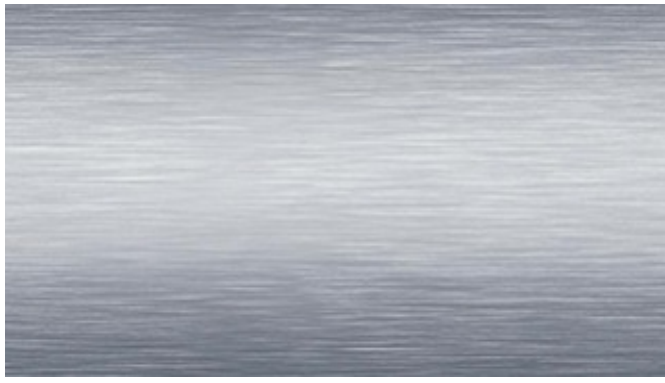


| <i>Code</i> | <i>Description</i> | <i>Availability</i> | <i>Price</i> |
|-------------|--|-----------------------------------|--------------|
| 111A | Black MB-Tex MB-Tex not with Multicontour Seat (399) | GLE350W, GLE350W4, GLE450W4 | \$0 |
| 134A | Espresso Brown / Black MB-Tex MB-Tex not with Multicontour Seat (399) | GLE350W, GLE350W4, GLE450W4 | \$0 |
| 135A | Macchiato/ Black MB-Tex MB-Tex not with Multicontour Seat (399) | GLE350W, GLE350W4, GLE450W4 | \$0 |
| 601A | Black MB-Tex w/ DINAMICA insert Requires AMG Line Interior (DG2PKG). Not with Multicontour Seats (399). AMG Line upholstery (601/801/885) only available with headliner black (51U). | GLE350W, GLE350W4, GLE450W4 | \$0 |
| 201A | Black leather Requires Passenger Seat Memory (P64). Standard on GLE 580 4MATIC | GLE350W, GLE350W4, GLE450W4 | \$1,620 |
| 214A | Espresso Brown/ Black Leather Requires Passenger Seat Memory (P64). Standard on GLE 580 4MATIC | GLE350W, GLE350W4, GLE450W4 | \$1,620 |
| 215A | Macchiato/ Black Leather Requires Passenger Seat Memory (P64). Standard on GLE 580 4MATIC | GLE350W, GLE350W4, GLE450W4 | \$1,620 |
| 801A | Black Nappa Leather Requires AMG Line Interior (DG2PKG) and Passenger Memory (P64). Not with Multicontour Seats (399). AMG Line upholstery (601/801/885) only available with headliner black (51U) | GLE350W, GLE350W4, GLE450W4 | \$2,990 |
| 885A | White/ Black Nappa Leather Requires AMG Line Interior (DG2PKG) and Passenger Memory (P64). Not with Multicontour Seats (399). AMG Line upholstery (601/801/885) only available with headliner black (51U) | GLE350W, GLE350W4, GLE450W4 | \$2,990 |
| 951A | Black Exclusive Nappa Leather Requires Passenger Seat Memory (P64) | GLE350W, GLE350W4, GLE450W4 | \$2,990 |

| <i>Code</i> | <i>Upholstery</i> | <i>Seats</i> | <i>Floor Mats</i> | <i>Upper Dash/Lower Dash</i> | <i>Seat Belts</i> | <i>Steering Wheel</i> | <i>Headliner</i> |
|-------------|--|----------------|-------------------|------------------------------|-------------------|-----------------------|-----------------------|
| 111A | Black MB-Tex MB-Tex not with Multicontour Seat (399) | Black | Black | Black/Black | Black | Black | Crystal Grey or Black |
| 134A | Espresso Brown / Black MB-Tex MB-Tex not with Multicontour Seat (399) | Espresso brown | Black | Black/Espresso brown | Black | Black | Crystal Grey or Black |
| 135A | Macchiato/ Black MB-Tex MB-Tex not with Multicontour Seat (399) | Macchiato | Black | Black / Macchiato | Macchiato | Black | Macchiato |
| 601A | Black MB-Tex w/ DINAMICA insert Requires AMG Line Interior (DG2PKG). Not with Multicontour Seats (399). AMG Line upholstery (601/801/885) only available with headliner black (51U). | Black | Black | Black/Black | Black | Black | Black |
| 201A | Black leather Requires Passenger Seat Memory (P64). Standard on GLE 580 4MATIC | Black | Black | Black/Black | Black | Black | Crystal Grey or Black |
| 214A | Espresso Brown/ Black Leather Requires Passenger Seat Memory (P64). Standard on GLE 580 4MATIC | Espresso brown | Black | Black/ Espresso brown | Black | Black | Crystal Grey or Black |
| 215A | Macchiato/ Black Leather Requires Passenger Seat Memory (P64). Standard on GLE 580 4MATIC | Macchiato | Black | Black / Macchiato | Macchiato | Black | Black |
| 801A | Black Nappa Leather Requires AMG Line Interior (DG2PKG) and Passenger Memory (P64). Not with Multicontour Seats (399). AMG Line upholstery (601/801/885) only available with headliner black (51U) | Black | Black | Black/Black | Black | Black | Black |
| 885A | White/ Black Nappa Leather Requires AMG Line Interior (DG2PKG) and Passenger Memory (P64). Not with Multicontour Seats (399). AMG Line upholstery (601/801/885) only available with headliner black (51U) | Black white | Black | Black/Black | Black | Black | Black |
| 951A | Black Exclusive Nappa Leather Requires Passenger Seat Memory (P64) | Black | Black | Black / Black | Black | Black | Black or Crystal Grey |

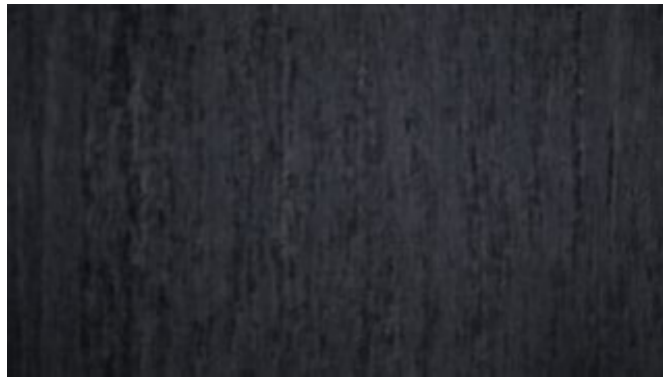


Trims



H46 - Aluminum with longitudinal grain

Requires Ambient Lighting (876) or Premium Package (DP1PKG)



H31 - Natural grain grey oak

Requires Ambient Lighting (876) or Premium Package (DP1PKG)



H18 - High-gloss grey linden



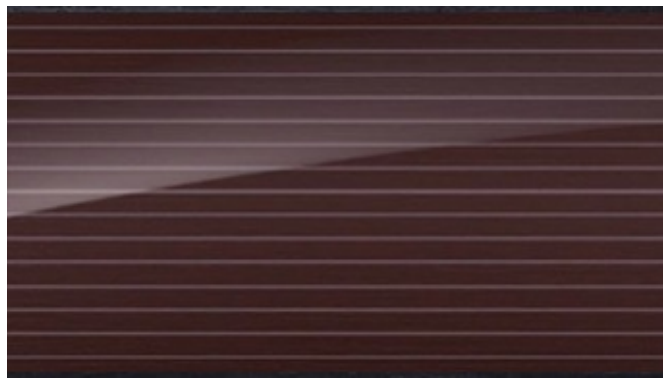
H22 - Natural grain brown walnut

Requires Ambient Lighting (876) or Premium Package (DP1PKG)



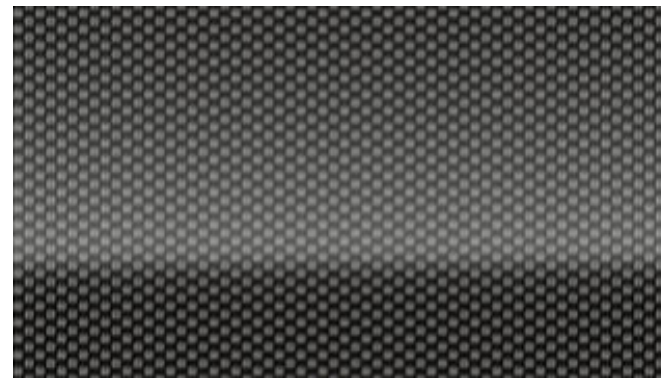
H35 - designo® black flamed open-pore ash wood

Only with Premium Package (DP1PKG). Availability TBD



H34 - designo® Brown Linden Wood Flowing Lines

Only with Premium Package (DP1PKG). Available as of 03/2020 Production



H64 - Metal weave

Only with Premium Package (DP1PKG). Available as of 03/2020 Production

| <i>Code</i> | <i>Description</i> | <i>Availability</i> | <i>Price</i> |
|-------------|--|-----------------------------------|--------------|
| H46 | Aluminum with longitudinal grain Requires Ambient Lighting (876) or Premium Package (DP1PKG) | GLE350W, GLE350W4, GLE450W4 | \$0 |
| H31 | Natural grain grey oak Requires Ambient Lighting (876) or Premium Package (DP1PKG) | GLE350W, GLE350W4, GLE450W4 | \$160 |
| H18 | High-gloss grey linden | GLE350W, GLE350W4, GLE450W4 | \$0 |
| H22 | Natural grain brown walnut Requires Ambient Lighting (876) or Premium Package (DP1PKG) | GLE350W, GLE350W4, GLE450W4 | \$160 |
| H35 | designo® black flamed open-pore ash wood Only with Premium Package (DP1PKG). Availability TBD | GLE350W, GLE350W4, GLE450W4 | \$850 |
| H34 | designo® Brown Linden Wood Flowing Lines Only with Premium Package (DP1PKG). Available as of 03/2020 Production | GLE350W, GLE350W4, GLE450W4 | \$850 |
| H64 | Metal weave Only with Premium Package (DP1PKG). Available as of 03/2020 Production | GLE350W, GLE350W4, GLE450W4 | \$600 |



Packages

| <i>Code</i> | <i>Packages</i> | <i>Availability</i> | <i>MSRP</i> |
|---------------------|---|-----------------------------------|-------------|
| DP1PKG | Premium Package <ul style="list-style-type: none"> ▪ Burmester Surround Sound - name ▪ U80 - 115V Power Outlet ▪ P47 - Parking Assist code <ul style="list-style-type: none"> ○ 501 - Surround View System | GLE350W, GLE350W4, GLE450W4 | TBD |
| DA2PKG | Driver Assistance Package PLUS <ul style="list-style-type: none"> ▪ P20 - Driver Assistance Package PLUS <ul style="list-style-type: none"> ○ Active Lane Keeping Assist ○ 233 - Active Distance Assist DISTRONIC® ○ Active Blind Spot Assist ○ Active Stop-and-Go Assist ○ Active Lane Change Assist ○ 266 - Active Steering Assist ○ Active Emergency Stop Assist ○ Route-Based Speed Adaptation ○ Active Brake Assist with Cross-Traffic Function ○ 546 - Active Speed Limit Assist ○ Evasive Steering Assist ○ 253 - PRE-SAFE® PLUS Rear End Collision Protection ○ 513 - Traffic Sign Assist | GLE350W, GLE350W4, GLE450W4 | TBD |
| DA4PKG | Exterior Lighting Package <ul style="list-style-type: none"> ▪ 640 - LED Intelligent Light System | GLE350W, GLE350W4, GLE450W4 | TBD |
| DG1PKG | AMG Line Exterior Standard on the GLE 580 4MATIC <ul style="list-style-type: none"> ▪ P31 - AMG Bodystyling <ul style="list-style-type: none"> ○ Wheel - Choice Of: <ul style="list-style-type: none"> ○ RZV - 20" AMG Twin 5-Spoke Wheels ○ RWA - AMG 21" Multispoke Wheels (+ \$1,000) ○ RXS - 22" AMG Twin 5-Spoke Wheels (+\$2,450); 450 & 580 models only ○ Side sill panels painted in the vehicle color (black i.c.w. illuminated running boards (846)) ○ AMG rear apron with diffuser-look insert in black and trim strip in chrome ○ Flared wheel arches at front and rear, painted in the vehicle color ○ Diamond radiator grille with pins in chrome, integral Mercedes star and single louvre painted in matte iridium silver with chrome insert ○ AMG front apron in an A-wing design, with AMG-specific air inlets in the wheel arch linings ○ Functional sport exhaust (only for GLE 450 4MATIC) | GLE350W, GLE350W4, GLE450W4 | TBD |
| DG2PKG | AMG Line Interior Not with Multicontour Seats (399) <ul style="list-style-type: none"> ▪ P29 - AMG Line Interior <ul style="list-style-type: none"> ○ AMG sports pedals in brushed stainless steel with black rubber studs ○ L5C - Multifunction sport steering wheel w/ flat bottom and perforated grip area ○ U26 - AMG Floor Mats ○ Sports seats for driver and front passenger with specific seat upholstery layout (601A/801A/885A) | GLE350W, GLE350W4, GLE450W4 | TBD |
| DC1PKG | Night Package <ul style="list-style-type: none"> ▪ P55 - Night Package Code <ul style="list-style-type: none"> ○ Wheel Choice - Of: <ul style="list-style-type: none"> ○ RWB - 21" AMG Multispoke Wheels w/ Black Accents (+ \$1,000) ○ RXT - 22" AMG Twin 5-Spoke Wheels w/ Black Accents (+\$2,450); 450 & 580 models only ○ RZW - 20" AMG 5-Spoke Wheels w/ Black Accents ○ Black elements: front splitter, grille trim, rear diffuser, side mirrors, window trim, and roof rails | GLE350W, GLE350W4, GLE450W4 | TBD |
| DB0PKG | Warmth and Comfort Package <ul style="list-style-type: none"> ▪ P68 - Warmth and Comfort Package code <ul style="list-style-type: none"> ○ 906 - Heated Armrest ○ 902 - Rapid Heating Functionality for Front Seats | GLE350W, GLE350W4, GLE450W4 | TBD |
| DB4PKG | 3rd Row Seat Package Includes Runflat Tires (R66) with 19-20" wheels Includes Tire fit (B51) with 21" wheels Not with Spare wheel (690), Requires Passenger Seat Memory (P64) <ul style="list-style-type: none"> ▪ 847 - 3rd Row Seat ▪ 72B - Additional 2 USB Type-C ports in 3rd row ▪ 567 - Power 2nd Row Seat | GLE350W, GLE350W4, GLE450W4 | TBD |
| DC5PKG | Acoustic Comfort Package <ul style="list-style-type: none"> ▪ PAF - Acoustic Comfort Code <ul style="list-style-type: none"> ○ Increased Cabin Insulation, Windshield with Infrared-Reflecting film, Side Windows with Acoustic ○ Infrared Absorbing Film | GLE450W4 | TBD |
| DC8PKG (Delayed) | AIRMATIC Suspension Standard on GLE 580 4MATIC <ul style="list-style-type: none"> ▪ 215 - Adaptive Damping System PLUS ▪ 489 - AIRMATIC Suspension | GLE450W4 | TBD |



Options

Factory Options

| <i>Code</i> | <i>Options</i> | <i>Availability</i> | <i>MSRP</i> |
|----------------------------------|--|-----------------------------------|-------------|
| L3D | Wood/Leather Steering Wheel Requires Natural grain grey oak (H31), designo® high-gloss brown flowing lines linden (H34), Natural grain brown walnut (H22) | GLE350W, GLE350W4, GLE450W4 | \$600 |
| 293 | Rear Side Airbags | GLE350W, GLE350W4, GLE450W4 | \$700 |
| 311 | Heated/Cooled Cup Holders | GLE350W, GLE350W4, GLE450W4 | \$180 |
| 399 | Multicontour Front Seats with Massage Feature Not with AMG Line Interior (P29) Requires Ventilated Front Seats (401) Requires Rapid Heating Seats (902) or Warmth and Comfort Pkg (DB0PKG) Requires Upholstery Leather (200A) or Nappa (951A) | GLE350W, GLE350W4, GLE450W4 | \$1,100 |
| 401 | Ventilated Front Seats Will be available with MB-Tex for the first time, Not with AMG Line DINAMICA (601) | GLE350W, GLE350W4, GLE450W4 | \$450 |
| 413 | Panorama Power Tilt/Sliding Sunroof | GLE350W, GLE350W4, GLE450W4 | \$1,000 |
| 443 | Heated Steering Wheel Not with AMG Sport Steering Wheel (L5C) | GLE350W, GLE350W4, GLE450W4 | \$250 |
| 463 | Heads Up Display | GLE350W, GLE350W4, GLE450W4 | \$1,100 |
| 550 | Trailer Hitch Includes Increased Towing Capacity (557) Not available as accessory retrofit | GLE350W, GLE350W4, GLE450W4 | \$575 |
| 581 | 4-Zone Climate Control | GLE350W, GLE350W4, GLE450W4 | \$860 |
| 77B | MBUX Interior Assistant (Gesture Control) | GLE350W, GLE350W4, GLE450W4 | \$250 |
| 846 | Illuminated Running Boards Not available as accessory retrofit | GLE350W, GLE350W4, GLE450W4 | \$650 |
| 872 | Heated Rear Seats | GLE350W, GLE350W4, GLE450W4 | \$580 |
| U09 | MB-Tex Dashboard and Door Beltlines | GLE350W, GLE350W4, GLE450W4 | \$350 |
| U19 (Delayed) | MBUX Augmented Video for Navigation | GLE350W, GLE350W4, GLE450W4 | \$350 |
| P64 | Passenger Seat Memory | GLE350W, GLE350W4, GLE450W4 | \$350 |
| 21U (Delayed) | Dashcam Requires Augmented Video for Navigation (U19) | | \$200 |
| 883 | Soft Close Doors | GLE450W4 | \$550 |
| P21 (Limited Availability) | AIR-BALANCE Package with Fragrance | GLE450W4 | \$350 |



VPC Installed Options

| <i>Code</i> | <i>Options</i> | <i>Availability</i> | <i>MSRP</i> |
|-------------|---|-----------------------------------|-------------|
| D03 | Illuminated Star Not with Driver Assistant Package Plus (DA2PKG) | GLE350W, GLE350W4, GLE450W4 | \$500 |
| D08 | Chrome Door Handle Inserts | GLE350W, GLE350W4, GLE450W4 | \$100 |
| D11 | Roof Spoiler | GLE350W, GLE350W4, GLE450W4 | \$600 |
| D26 | Load Sill Protection | GLE350W, GLE350W4, GLE450W4 | \$175 |
| D07 | Wheel Locking Bolts | GLE350W, GLE350W4, GLE450W4 | \$150 |
| D43 | All-Season Front/Rear Floormats | GLE350W, GLE350W4, GLE450W4 | \$160 |

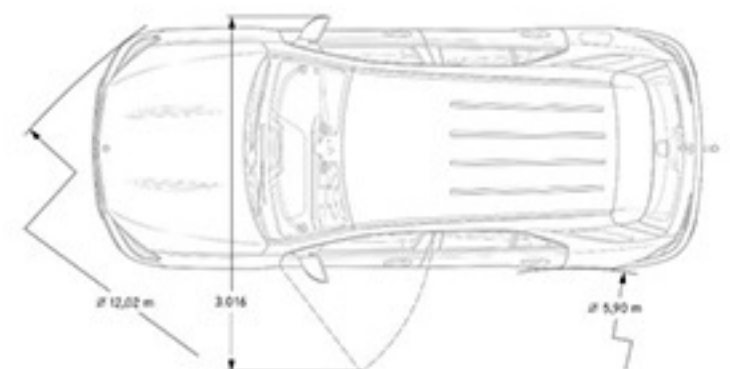
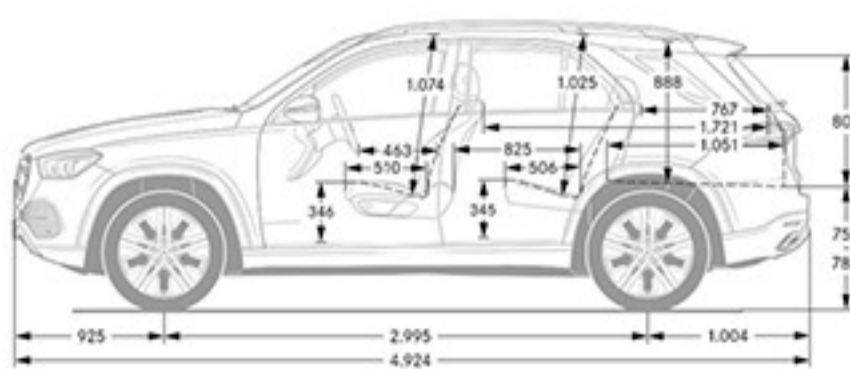
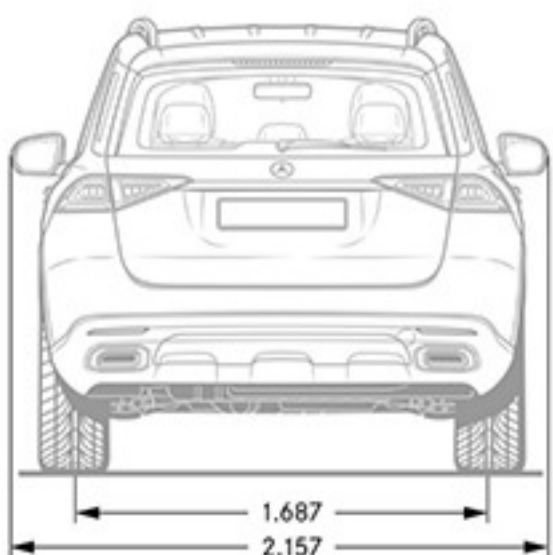
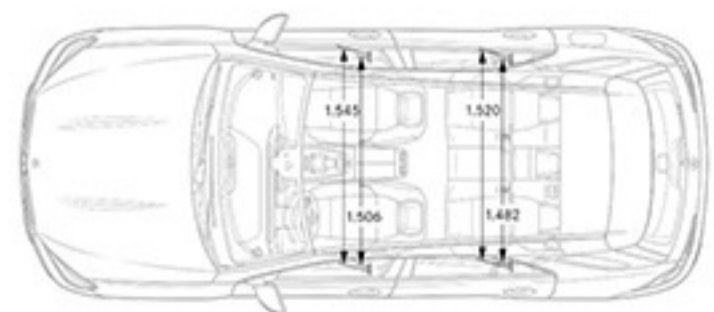
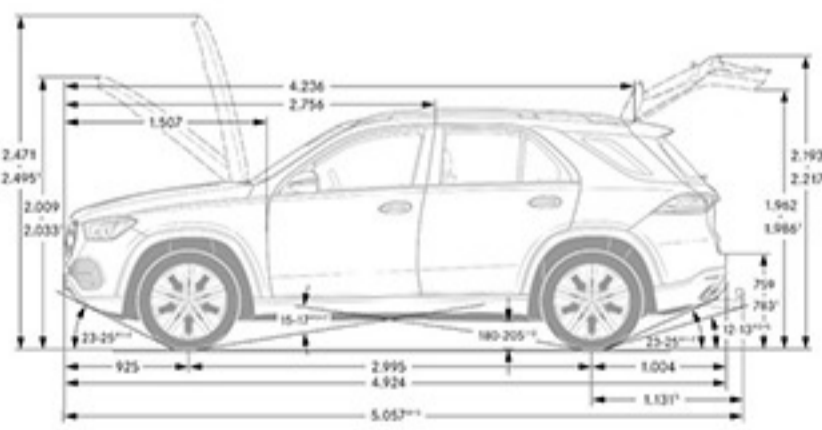
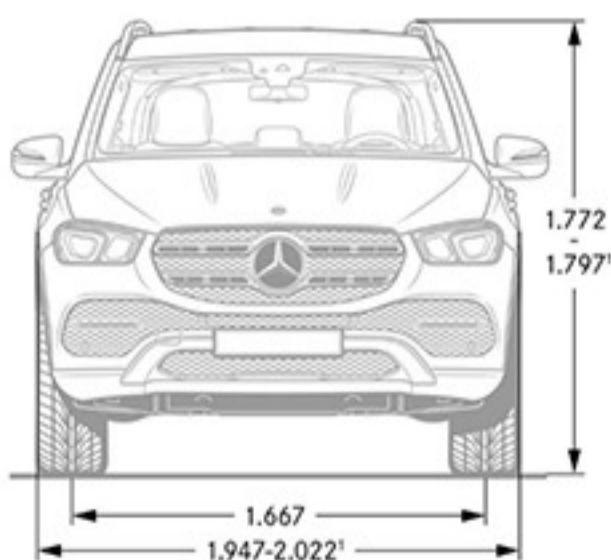


Specifications

GLE350W



| <i>Drivetrain</i> | |
|--|--|
| Transmission | 9G-TRONIC 9-Speed Automatic Transmission |
| Drive Configuration | Rear-wheel drive |
| <i>Engine</i> | |
| Engine Configuration | 2.0L inline-4 turbo engine |
| Power (hp) | 255 hp |
| Torque (lb-ft) | 273 lb-ft |
| Compression Ratio | 10.5 : 1 |
| Fuel Requirement (Octane) | 91 |
| Fuel Tank Size (gallons) | 22.5 |
| Displacement (cc) | 1,991 |
| <i>Performance</i> | |
| Acceleration 0-60pmg (sec) | 7.0 |
| Top Speed (mph) | 130 |
| Transmission Speeds | 9 |
| Maximum Load (lbs) | TBD |
| Towing Capacity (lbs) | 5,950 |
| <i>Fuel Economy</i> | |
| City Fuel Economy | TBD |
| Highway Fuel Economy | TBD |
| Emission Certification | TBD |
| <i>Exterior Dimensions</i> | |
| Vehicle Length (in.) | 194.3 |
| Vehicle Height (in.) | 70.7 |
| Vehicle Width w/ exterior mirrors (in.) | 84.9 |
| Wheelbase (in.) | 117.9 |
| Curb Weight (lbs) | 4610 |
| Track Width Front/Rear (in.) | 65.63/66.42 |
| <i>Interior Dimensions</i> | |
| Cargo Capacity | TBA |
| Trunk Size | TBA |



Drivetrain

| | |
|----------------------------|--|
| Transmission | 9G-TRONIC 9-Speed Automatic Transmission |
| Drive Configuration | All-wheel drive |

Engine

| | |
|----------------------------------|----------------------------|
| Engine Configuration | 2.0L inline-4 turbo engine |
| Power (hp) | 255 hp |
| Torque (lb-ft) | 273 lb-ft |
| Compression Ratio | 10.5 : 1 |
| Fuel Requirement (Octane) | 91 |
| Fuel Tank Size (gallons) | 22.5 |
| Displacement (cc) | 1,991 |

Performance

| | |
|-----------------------------------|------|
| Acceleration 0-60pmg (sec) | 7.1 |
| Top Speed (mph) | 130 |
| Transmission Speeds | 9 |
| Maximum Load (lbs) | TBD |
| Towing Capacity (lbs) | 7700 |

Fuel Economy

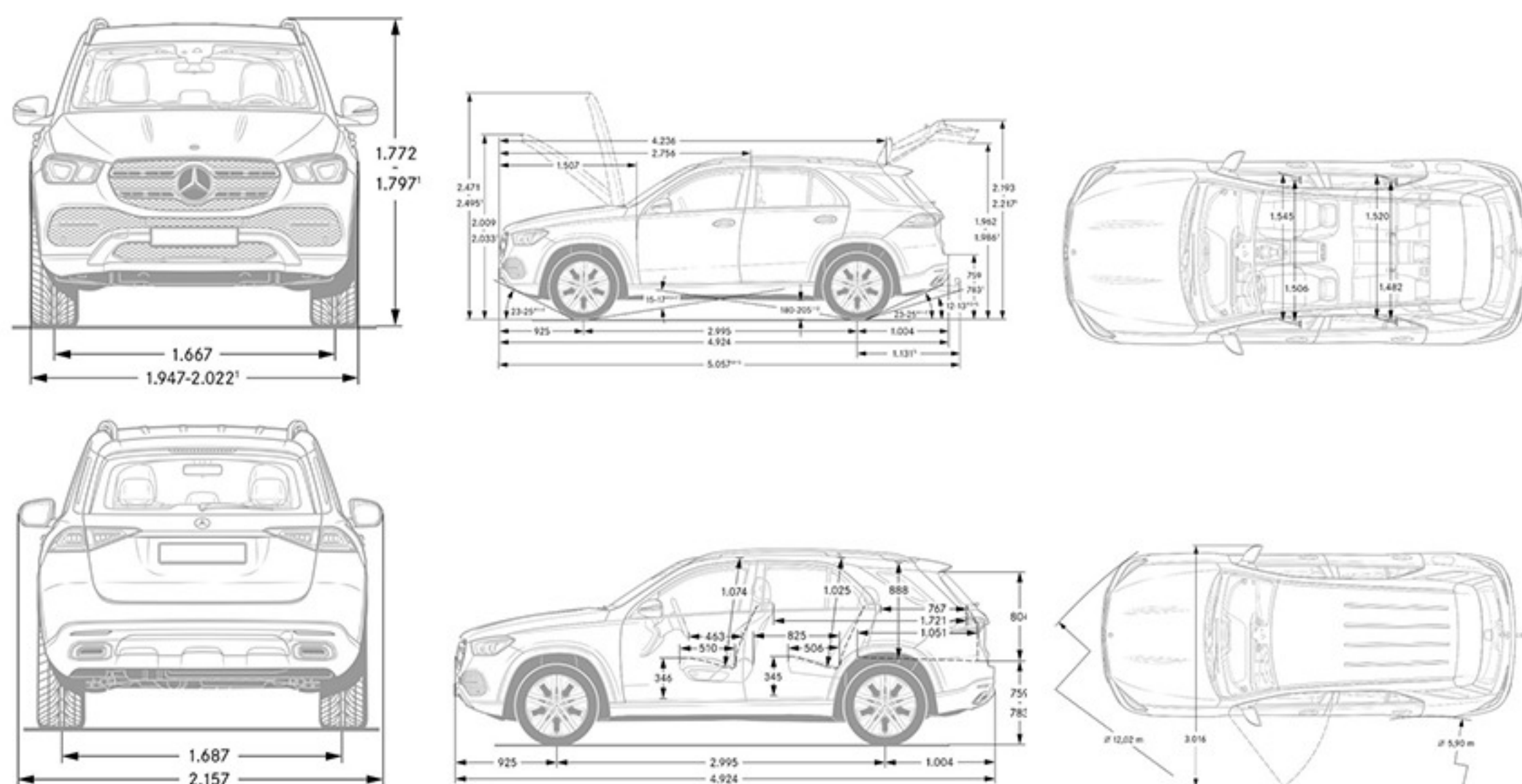
| | |
|-------------------------------|-----|
| City Fuel Economy | TBD |
| Highway Fuel Economy | TBD |
| Emission Certification | TBD |

Exterior Dimensions

| | |
|--|-------------|
| Vehicle Length (in.) | 194.3 |
| Vehicle Height (in.) | 70.7 |
| Vehicle Width w/ exterior mirrors (in.) | 84.9 |
| Wheelbase (in.) | 117.9 |
| Curb Weight (lbs) | 4718 |
| Track Width Front/Rear (in.) | 65.63/66.42 |

Interior Dimensions

| | |
|-----------------------|-----|
| Cargo Capacity | TBA |
| Trunk Size | TBA |



Drivetrain

| | |
|----------------------------|--|
| Transmission | 9G-TRONIC 9-Speed Automatic Transmission |
| Drive Configuration | All-wheel drive |

Engine

| | |
|----------------------------------|----------------------------|
| Engine Configuration | 3.0L inline-6 turbo engine |
| Power (hp) | 362 hp |
| Torque (lb-ft) | 369 lb-ft |
| Compression Ratio | 10.5 : 1 |
| Fuel Requirement (Octane) | 91 |
| Fuel Tank Size (gallons) | 22.5 |
| Displacement (cc) | 2,999 |

Performance

| | |
|-----------------------------------|------|
| Acceleration 0-60pmg (sec) | 5.5 |
| Top Speed (mph) | 130 |
| Transmission Speeds | 9 |
| Maximum Load (lbs) | TBD |
| Towing Capacity (lbs) | 7700 |

Fuel Economy

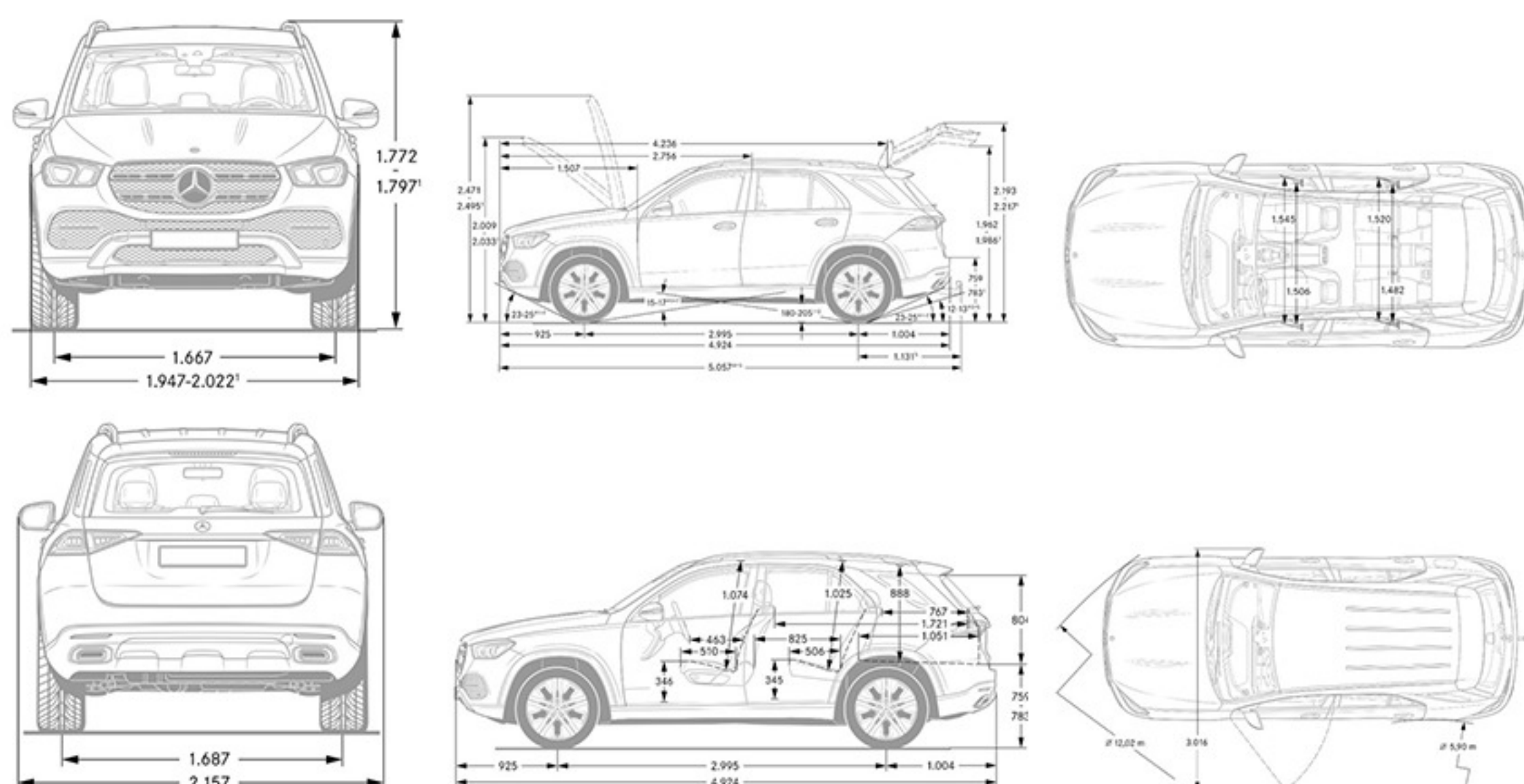
| | |
|-------------------------------|-----|
| City Fuel Economy | TBD |
| Highway Fuel Economy | TBD |
| Emission Certification | TBD |

Exterior Dimensions

| | |
|--|-------------|
| Vehicle Length (in.) | 194.3 |
| Vehicle Height (in.) | 70.7 |
| Vehicle Width w/ exterior mirrors (in.) | 84.9 |
| Wheelbase (in.) | 117.9 |
| Curb Weight (lbs) | 5016 |
| Track Width Front/Rear (in.) | 65.63/66.42 |

Interior Dimensions

| | |
|-----------------------|-----|
| Cargo Capacity | TBA |
| Trunk Size | TBA |





Options In Detail

Headlamps



LED Headlamps (632)

Standard

- Excellent illumination of the road.
- Unmistakable look by day or night
- Long operating life
- Color spectrum close to natural daylight
- Low energy consumption
- Adaptive Highbeam Assist is also now standard and allows drivers to drive with activated main beams without dazzling other motorists or pedestrians

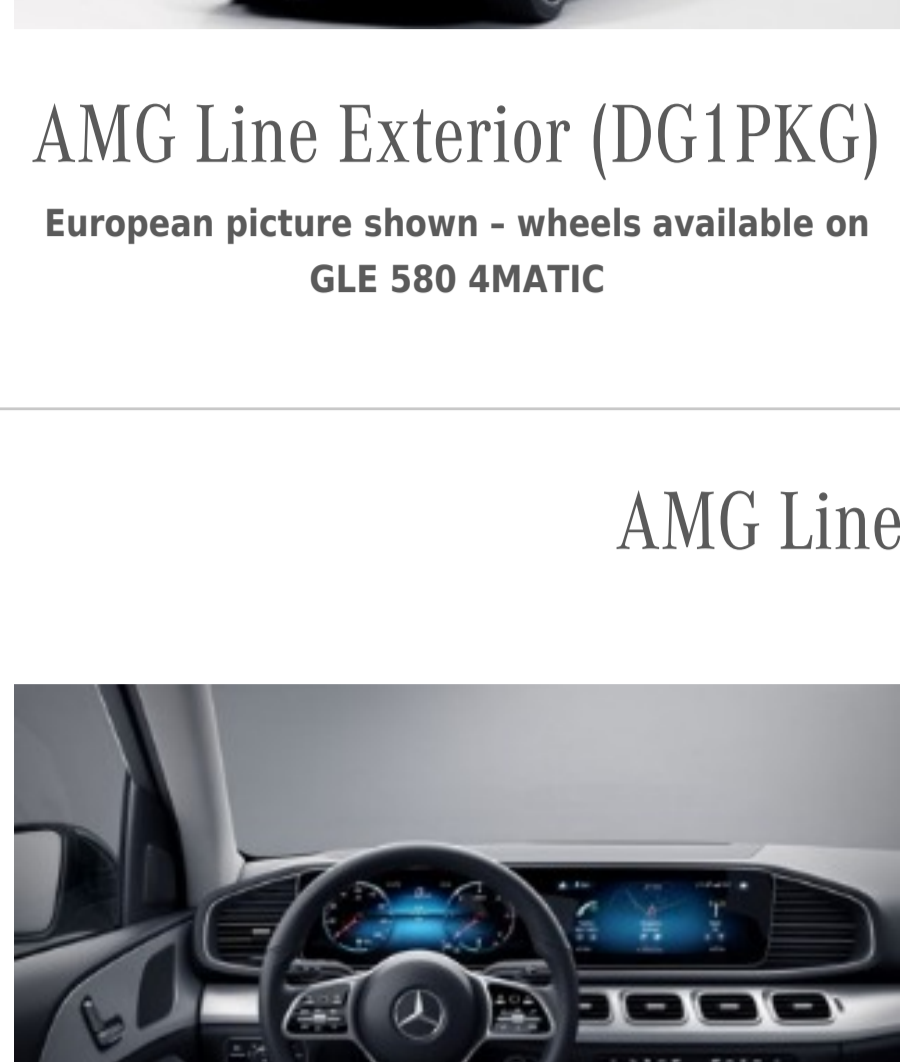
LED Intelligent Light System w/ Ultra Range Highbeam

Optional \$900

Requires Advanced Lighting Package (DA4PKG)

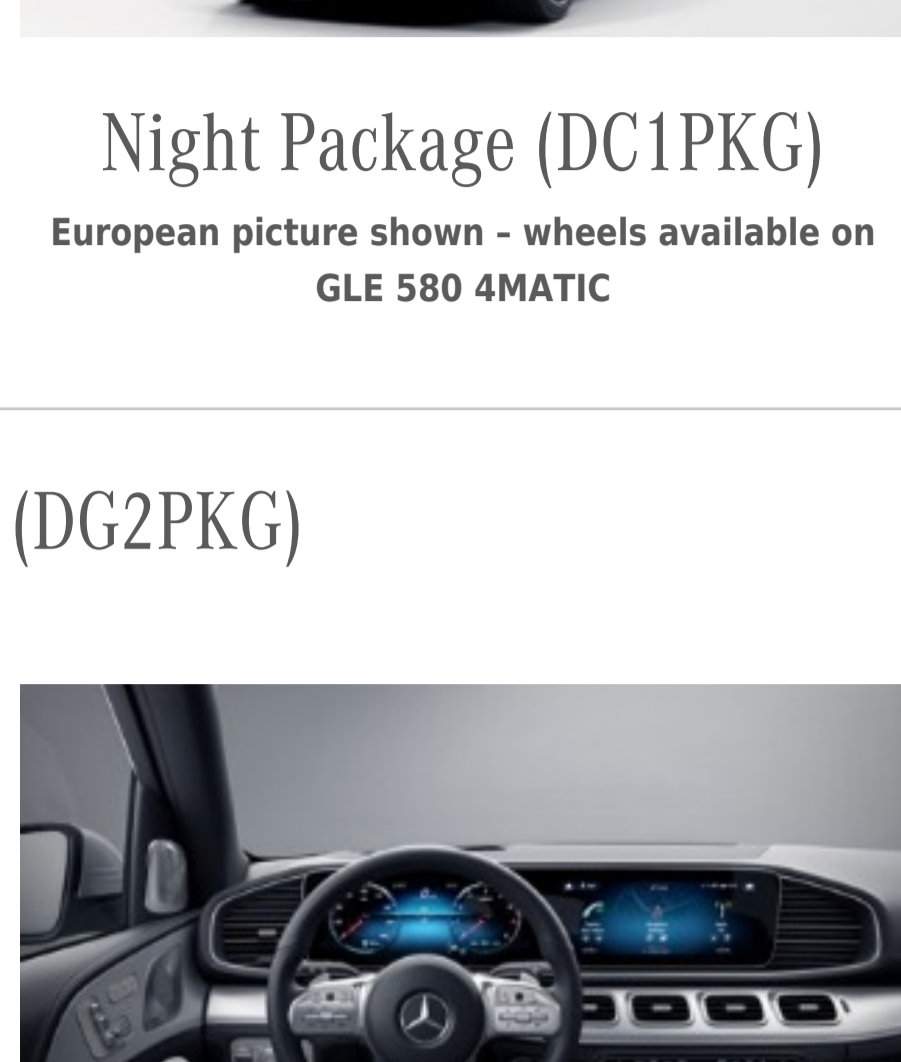
- Advanced LED headlamps and Ultra Range Highbeams
- Ultra Range Highbeam produce light at an increased range for maximum illumination of the road and surround area

AMG Line Exterior vs. Night Package



AMG Line Exterior (DG1PKG)

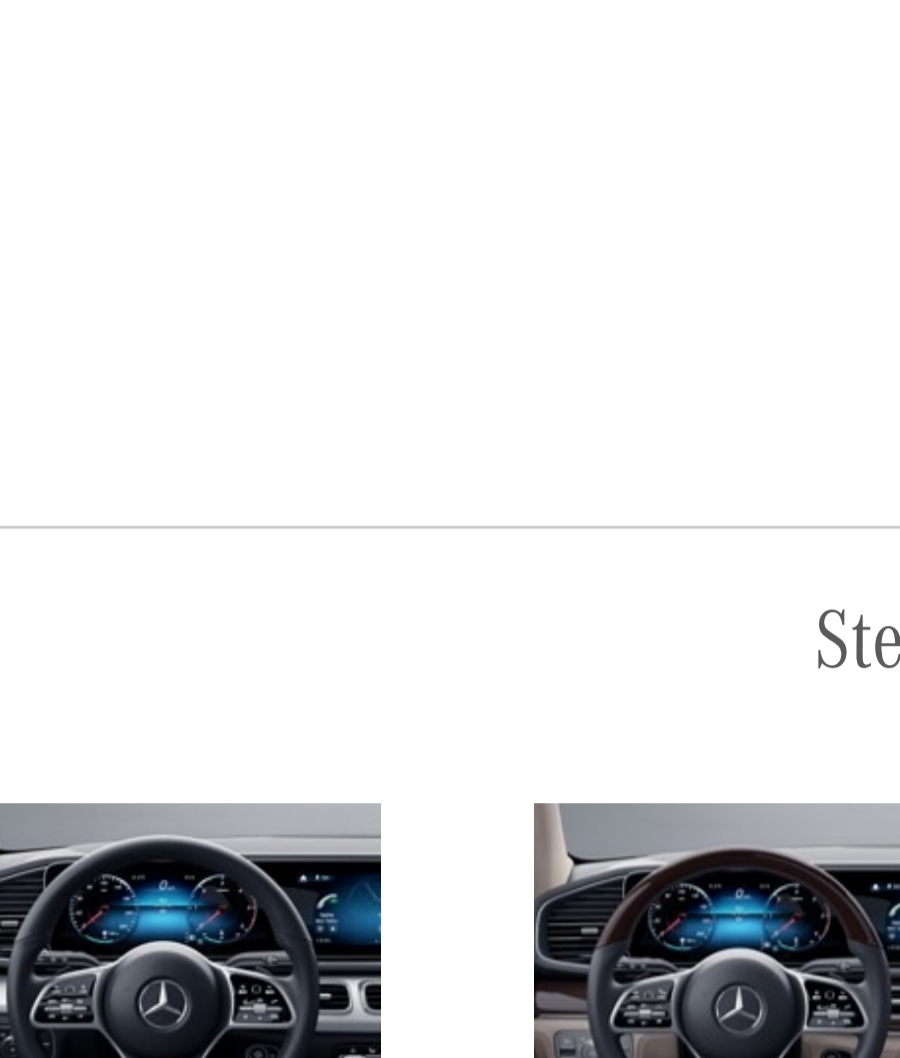
European picture shown - wheels available on GLE 580 4MATIC



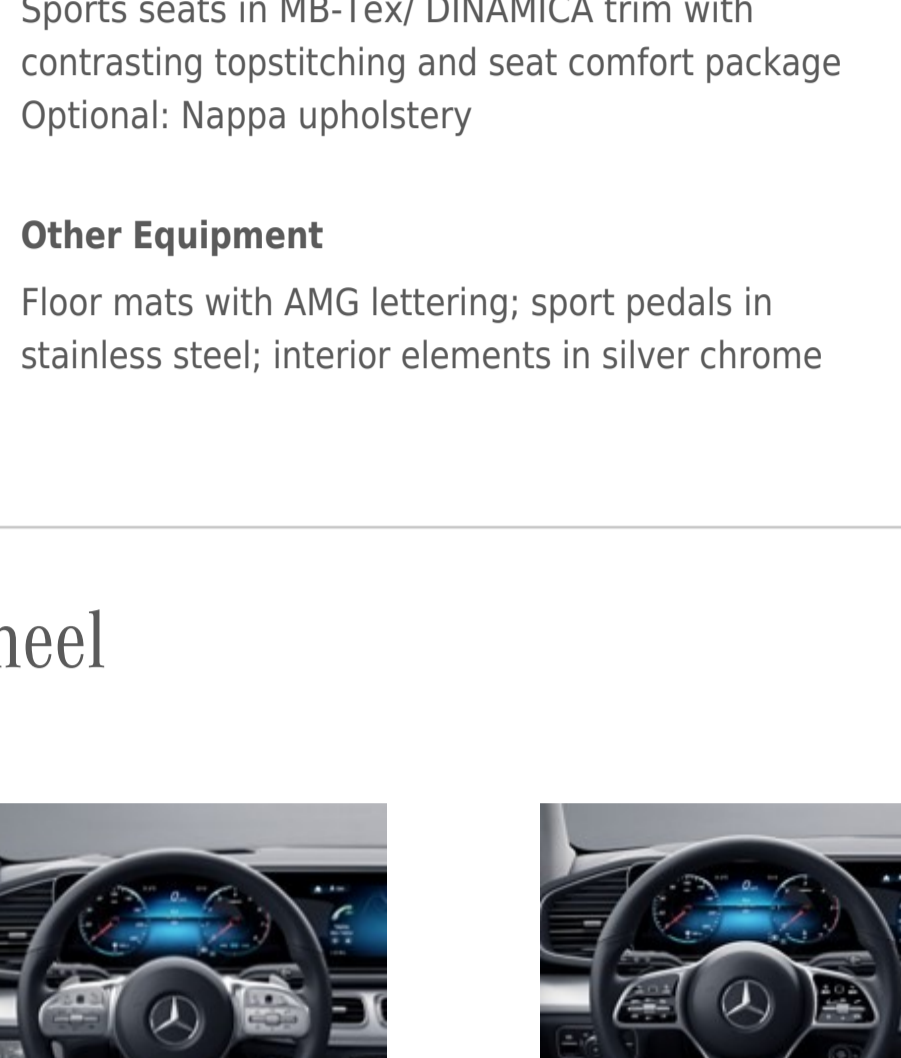
Night Package (DC1PKG)

European picture shown - wheels available on GLE 580 4MATIC

AMG Line Interior (DG2PKG)



Standard Interior



AMG Line Interior (DG2PKG)

Steering Wheel

Sports steering wheel with flat bottom and shift paddles in silver chrome

Upholstery

Sports seats in MB-Tex/ DINAMICA trim with contrasting topstitching and seat comfort package
Optional: Nappa upholstery

Other Equipment

Floor mats with AMG lettering; sport pedals in stainless steel; interior elements in silver chrome

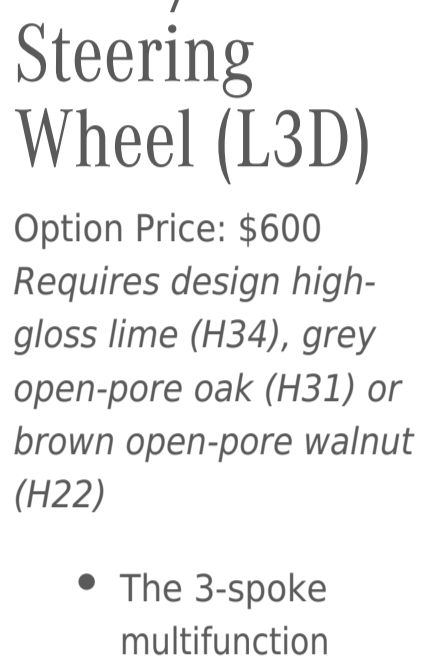
Steering Wheel



Nappa Leather Multifunction Steering Wheel (L3B)

Standard

- Newly redesigned 3-spoke multifunction steering wheel in nappa leather
- Touch Control buttons for direct control of the instrument cluster and to control the functions of the multimedia system.
- Bezel and buttons in silver shadow
- Shift panels in black

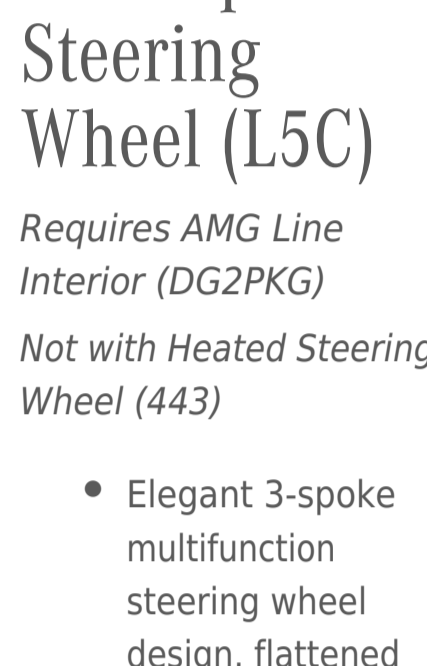


Wood/Leather Steering Wheel (L3D)

Option Price: \$600

Requires design high-gloss lime (H34), grey open-pore oak (H31) or brown open-pore walnut (H22)

- The 3-spoke multifunction steering wheel in wood/leather combines fine materials with innovative ease of operation.

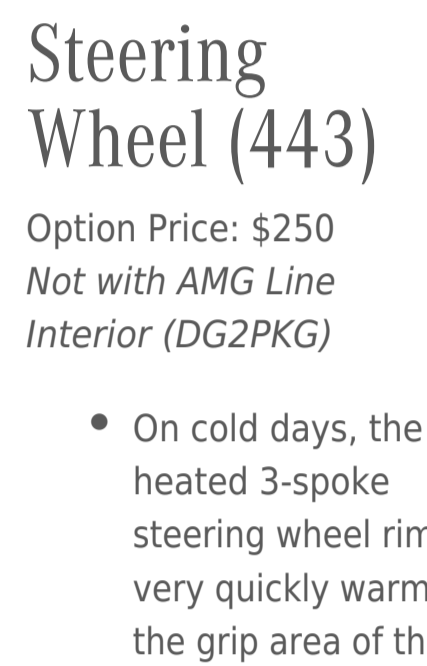


AMG Sport Steering Wheel (L5C)

Requires AMG Line Interior (DG2PKG)

Not with Heated Steering Wheel (443)

- Elegant 3-spoke multifunction steering wheel design, flattened bottom section with a particularly compact, and extremely sporty look/feel
- Bezel and buttons in silver shadow
- Shift panels in silver shadow
- Perforated grip area



Heated Steering Wheel (443)

Option Price: \$250

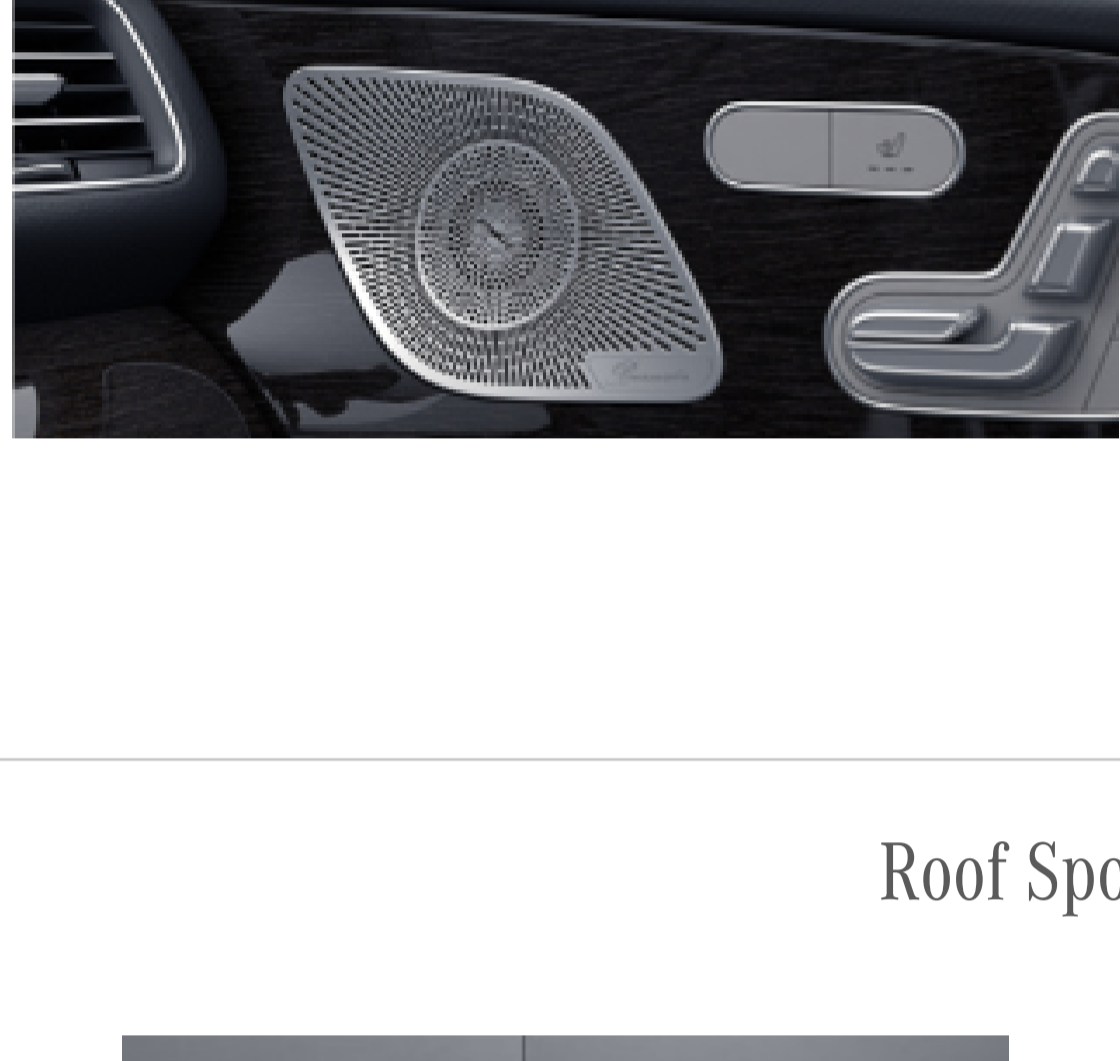
Not with AMG Line Interior (DG2PKG)

- On cold days, the heated 3-spoke steering wheel rim very quickly warms the grip area of the steering wheel to ensure pleasantly warm hands.
- The function is switched on and off by turning the control lever for adjusting the multifunction steering wheel.

Burmester® Surround Sound Systems

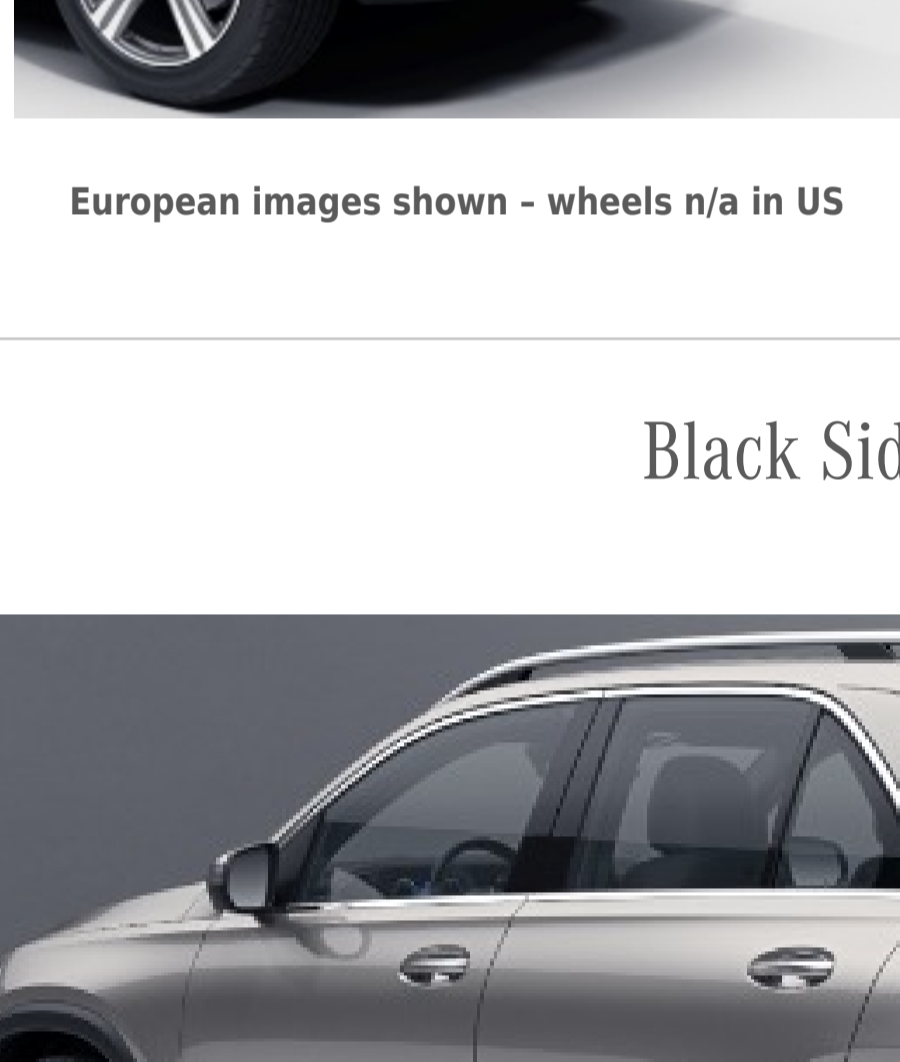
Burmester® Surround Sound System (810)

Included in Premium Package (DP1PKG), Standard on GLE 580 4MATIC

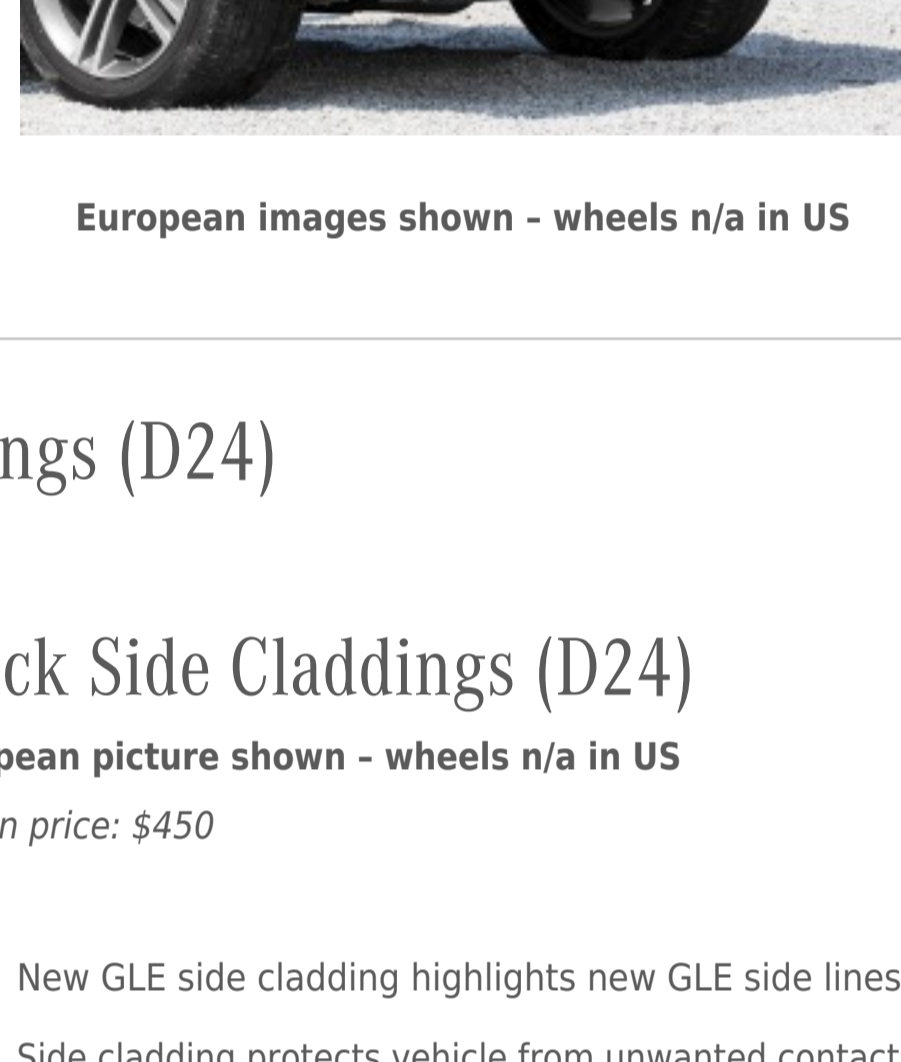


- 13 high-performance speakers precisely configured for the vehicle interior to ensure well-balanced and very dynamic music reproduction
- 9-channel DSP amplifier with a total output of 590 watts (7 x 50 W and 2 x 120 W) for maximum sound quality with very high volume reserves
- Frontbass® technology with woofers integrated into integrated into the body-in-white
- Sound optimization for the front and rear seats
- Vehicle noise compensation (VNC)
- Sound preset: surround function to generate virtual all-round sound
- Support for popular multi-channel formats for true surround sound

Roof Spoiler (D11)

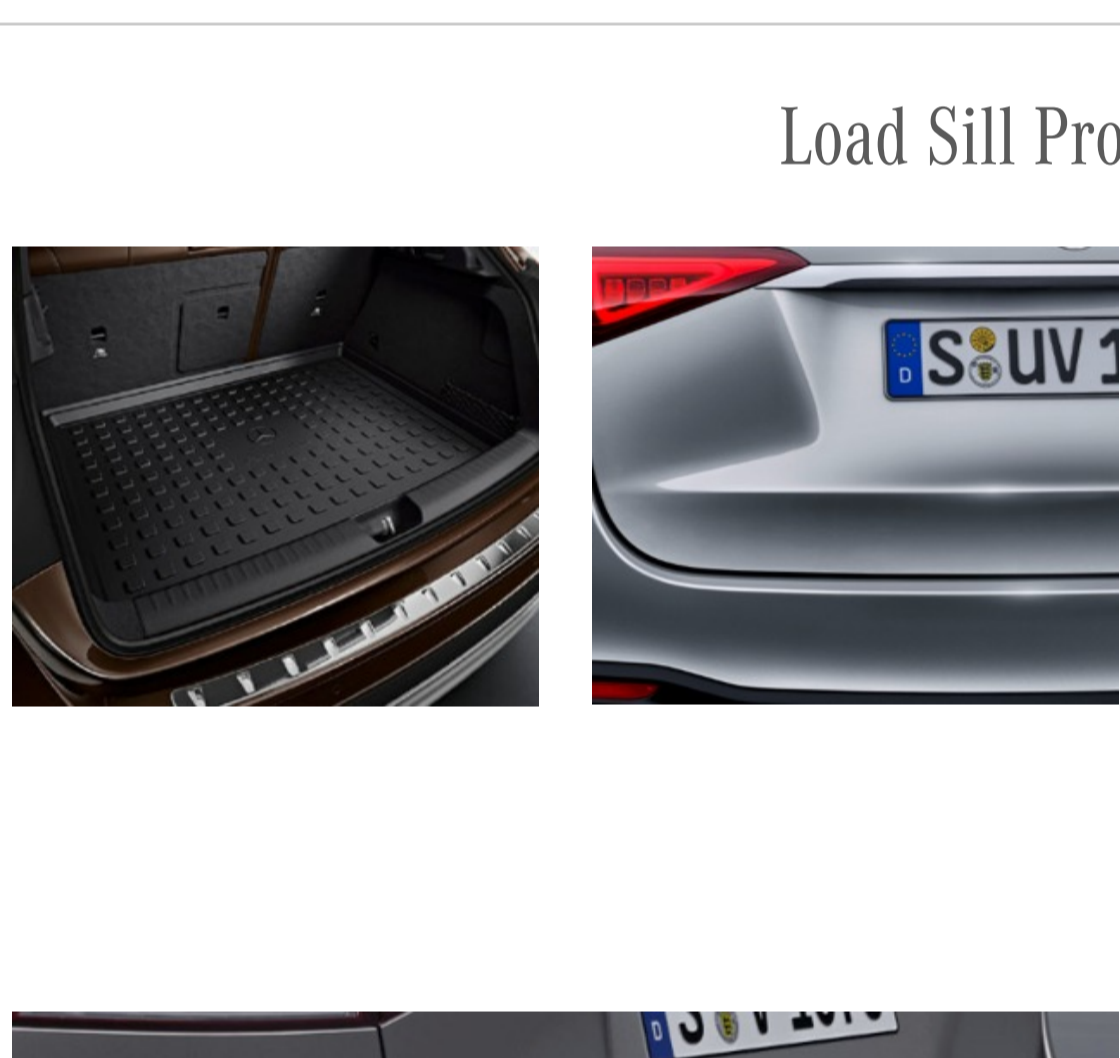


European images shown - wheels n/a in US



European images shown - wheels n/a in US

Black Side Claddings (D24)



Black Side Claddings (D24)

European picture shown - wheels n/a in US

Option price: \$450

- New GLE side cladding highlights new GLE side lines
- Side cladding protects vehicle from unwanted contacts
- Matt black surface
- New design feature adding an individual look to light colored customer vehicles
- Covers front and rear doors

Load Sill Protector (D26)

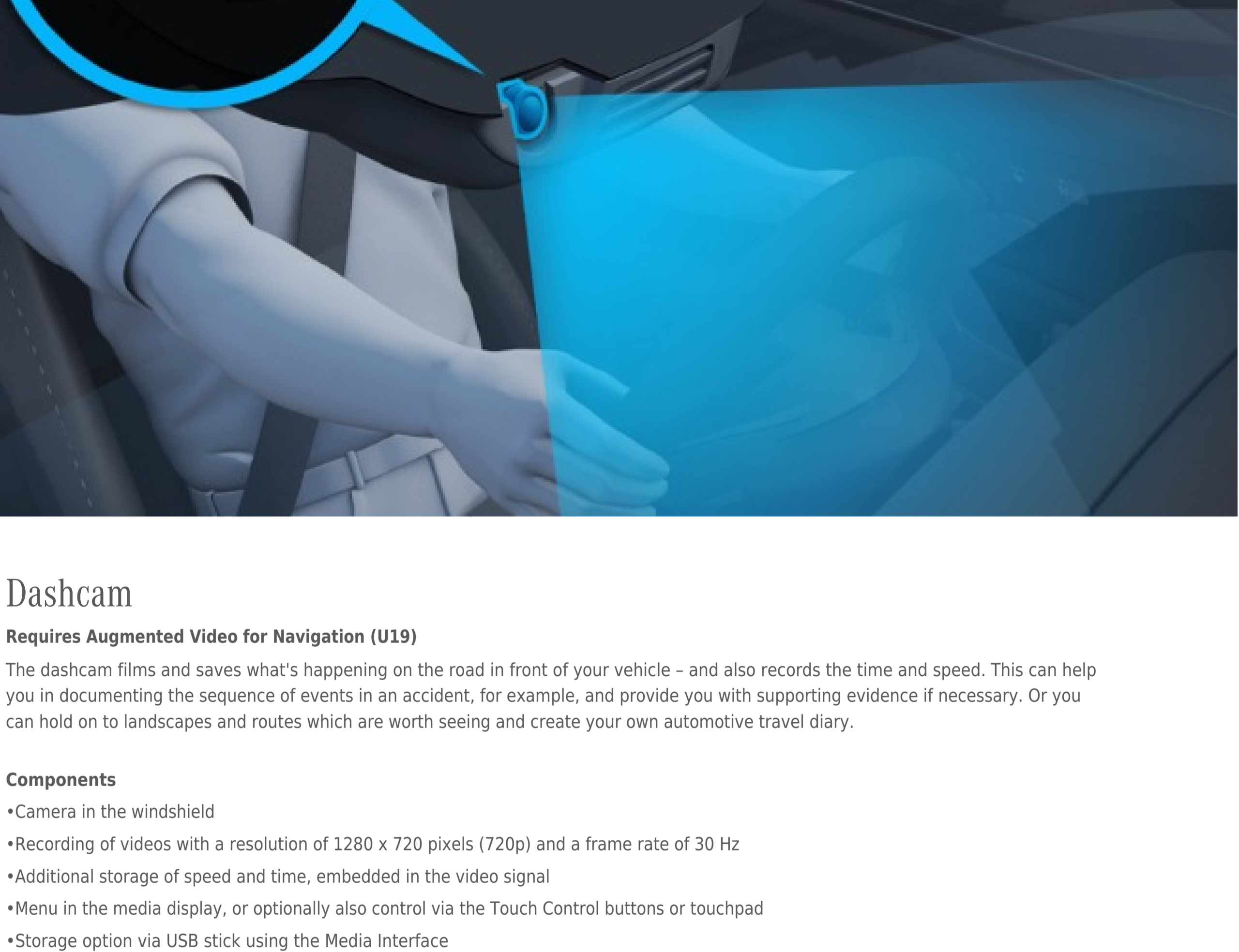


Load Sill Protection (D26)

Option price: \$150

- Contrary to GLE W166, the new GLE will no longer feature a standard chrome load sill guard
- The load sill guard is specifically designed for the new GLE bumper shape and does not only cover load sill but also load sill-bumper edge

Dashcam (21U)



Dashcam

Requires Augmented Video for Navigation (U19)

The dashcam films and saves what's happening on the road in front of your vehicle - and also records the time and speed. This can help you in documenting the sequence of events in an accident, for example, and provide you with supporting evidence if necessary. Or you can hold on to landscapes and routes which are worth seeing and create your own automotive travel diary.

Components

- Camera in the windshield
- Recording of videos with a resolution of 1280 x 720 pixels (720p) and a frame rate of 30 Hz
- Additional storage of speed and time, embedded in the video signal
- Menu in the media display, or optionally also control via the Touch Control buttons or touchpad
- Storage option via USB stick using the Media Interface
- Video material can be viewed on a computer or the "media" display (only possible when vehicle is stationary) - for this the storage media must first be removed from the interface and reconnected.

Requirements and Conditions

- The "Media" section of MBUX must be used for in-vehicle viewing. Recordings are not playable directly in the "Dashcam" application.
- On PC/computers, files are only capable of playback with select media players. For best viewing, the "VLC Media Player" is recommended and can be downloaded for free here: <https://www.videolan.org/>.

Connected Traffic Light (Standard)

Traffic Light Information Service reveals a countdown timer for certain connected traffic lights on your route. As the vehicle approaches a connected red light (within 200 meters/656 ft.), an icon with a countdown timer appears in the instrument cluster and Head-Up Display (if equipped). The icon shows the number of seconds remaining until the light turns green, and then disappears.

Components

A 3rd party service provider offers the data service by aggregating and processing connected traffic light data from major US cities. They predict (based on the position and direction of the vehicle) the remaining time-to-green. Note that not all traffic lights and geographic areas are connected. Current coverage is offered in 26 U.S. metro areas for nearly 30,000 lights, with plans to extend connectivity service in the future. There are also external factors such as emergency vehicles or construction zones, which can impact light connectivity.

How to Activate

For MY21+ NTG6 MBUX vehicles, Traffic Light Information Services must be activated by selecting the service in two locations:

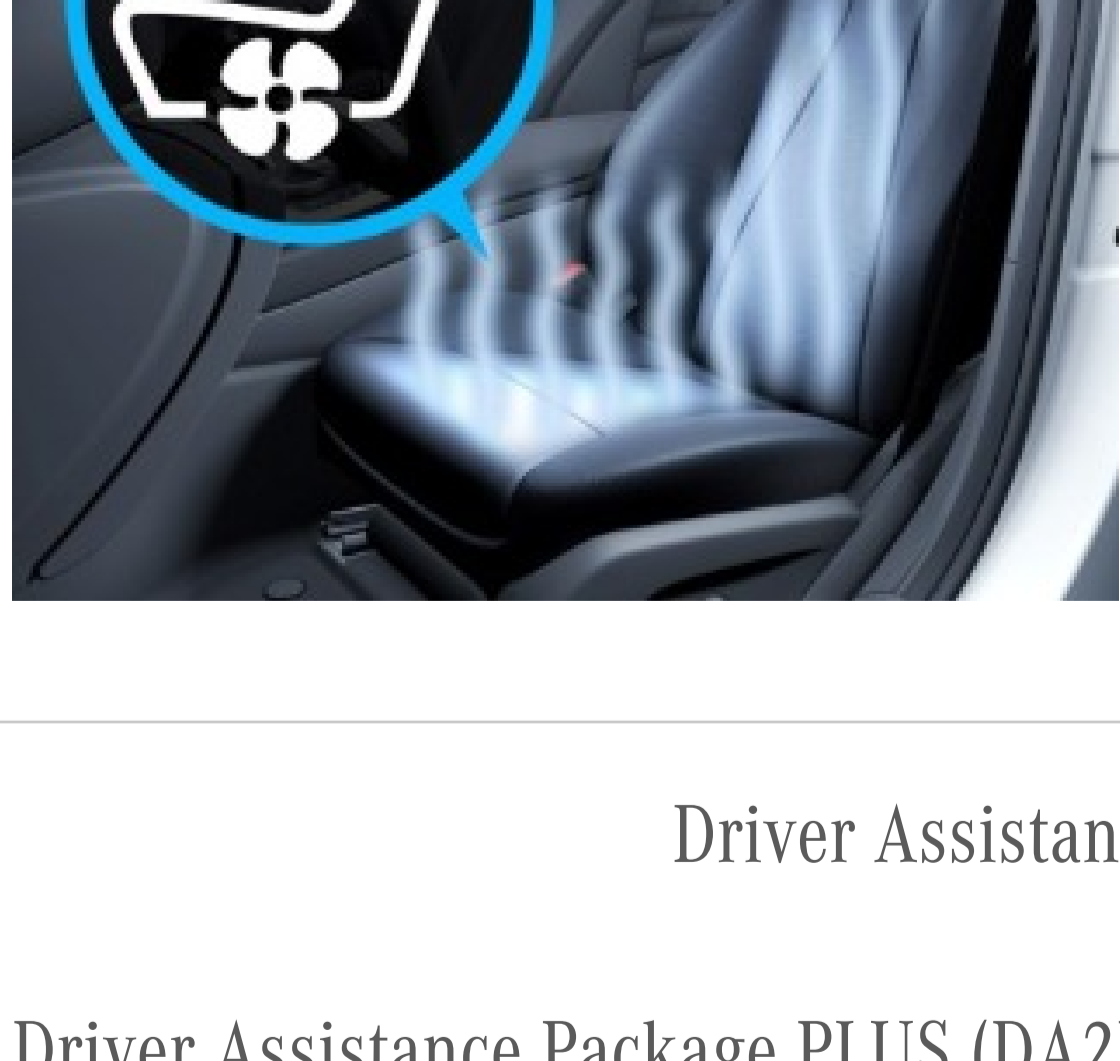
- "Assistance" settings in the vehicle
- Mercedes me connect app (or portal)

Requirements and Conditions

- Traffic Light information can only be viewed while in the "Assistance" view of the Instrument Cluster.
- The countdown timer appears automatically when within 200 meters of the connected stop light. It will countdown to 6 seconds and then disappear.
- The countdown timer appears only if the remaining time to green is more than 10 seconds and less than 120 seconds.

This feature has the purpose of informing the driver about the time to green, and is not integrated with any other vehicle function, system or component. There are no audible sounds, textual information or warning messages, and the driver is responsible for keeping the actual traffic situation in view at all times.

Head-Up Display (463)



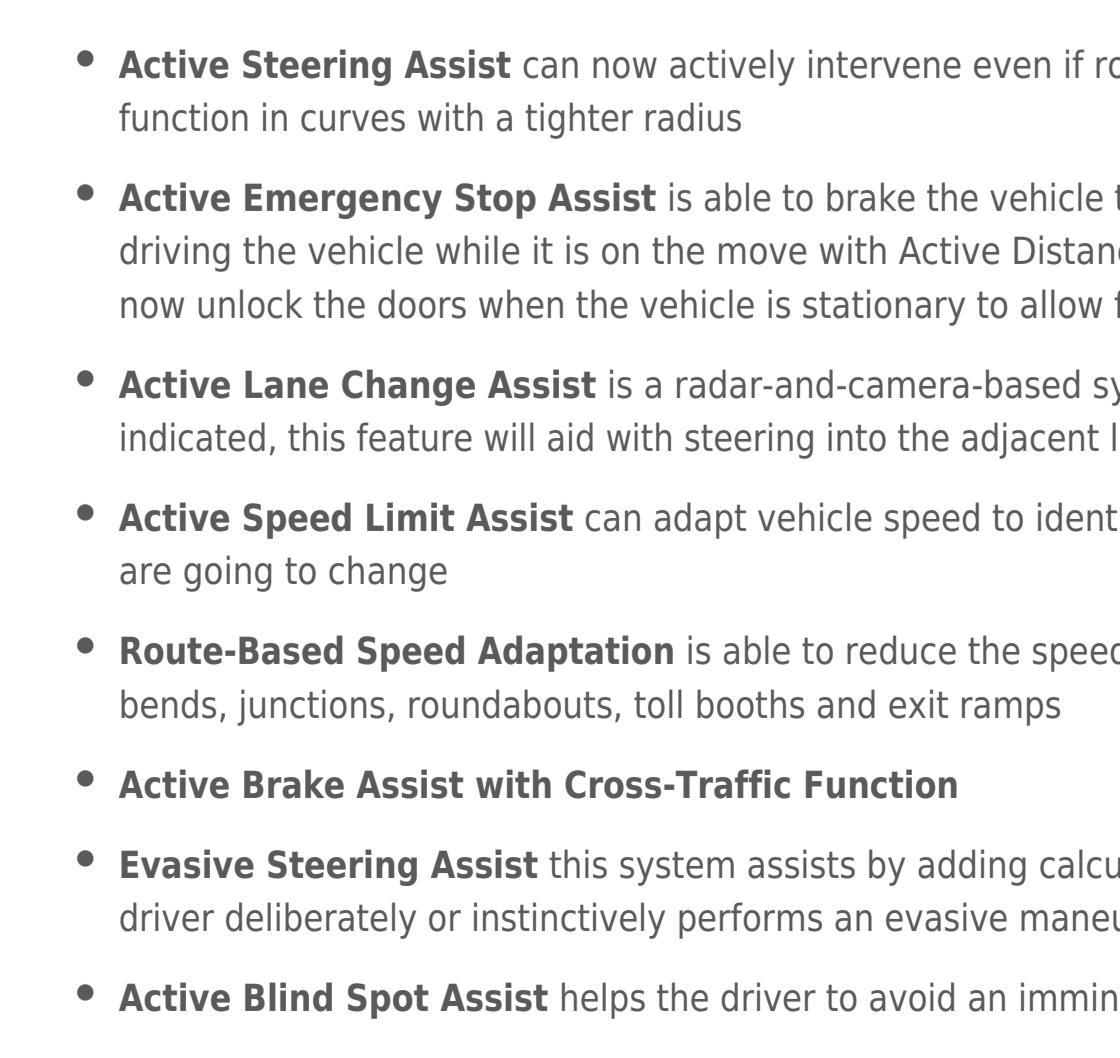
Head-Up Display (463)

Included in MBUX Technology Package (DA0PKG)

The Head-Up Display at a glance:

- Key driver information at a glance (e.g. speed, speed limits, navigation prompts, warnings or settings for the driving assistance systems) without the driver having to take their eyes off the road
- Projection of a virtual image measuring approx. 9.45" x 3.15" into the driver's field of vision
- Presentation of information in high-resolution and in color, making it clearly legible even on sunny days and at night
- Height position of the image, brightness and displayed content can be changed individually via a menu in the instrument cluster and can be stored conveniently via the optional memory function for the driver's seat

Availability of Ventilated Front Seats (401) with MB-Tex



Ventilated Front Seats (401)

Option Price: \$450

Not with AMG LINE Interior DINAMICA (601)

The climatized seats for driver and front passenger comprise seat heating and seat ventilation - for an ideal seat climate all year round. On hot days they provide you with a pleasantly refreshing temperature thanks to cooling ventilation. On cold days, meanwhile, the seat cushions and backrests emit a pleasant warmth.

Driver Assistance Package PLUS

Driver Assistance Package PLUS (DA2PKG)

Option price: \$1,950

Latest-generation of our Advanced Driver Assistance System: the enhanced intelligent hands-off detection includes sensing via the Touch Control Buttons and is sensitive to specific conditions and can be activated at a wide range of speeds.

- Active Stop-and-Go Assist see next slide
- Active Distance Assist DISTRONIC®
- Active Steering Assist can now actively intervene even if road lines are unclear or non-existent at certain speeds; it can now also function in curves with a tighter radius
- Active Emergency Stop Assist is able to brake the vehicle to a standstill in its lane if it detects that the driver is no longer actively driving the vehicle while it is on the move with Active Distance Assist DISTRONIC® and Active Steering Assist engaged. It can now unlock the doors when the vehicle is stationary to allow first responders immediate access to the vehicle's interior
- Active Lane Change Assist is a radar-and-camera-based system that aids the driver when changing lanes. When a turn is indicated, this feature will aid with steering into the adjacent lane if it detects the lane is empty
- Active Speed Limit Assist can adapt vehicle speed to identified speed limits and can now adjust preemptively when speed limits are going to change
- Route-Based Speed Adaptation is able to reduce the speed in anticipatory mode by referencing the vehicle's map data ahead of bends, junctions, roundabouts, toll booths and exit ramps
- Active Brake Assist with Cross-Traffic Function
- Active Steering Assist this system assists by adding calculated steering torque to aid in steering wheel movement when a driver deliberately or instinctively performs an evasive maneuver around a pedestrian
- Active Blind Spot Assist helps the driver to avoid an imminent side impact by single-sided braking
- Active Lane Keeping Assist



Gallery

