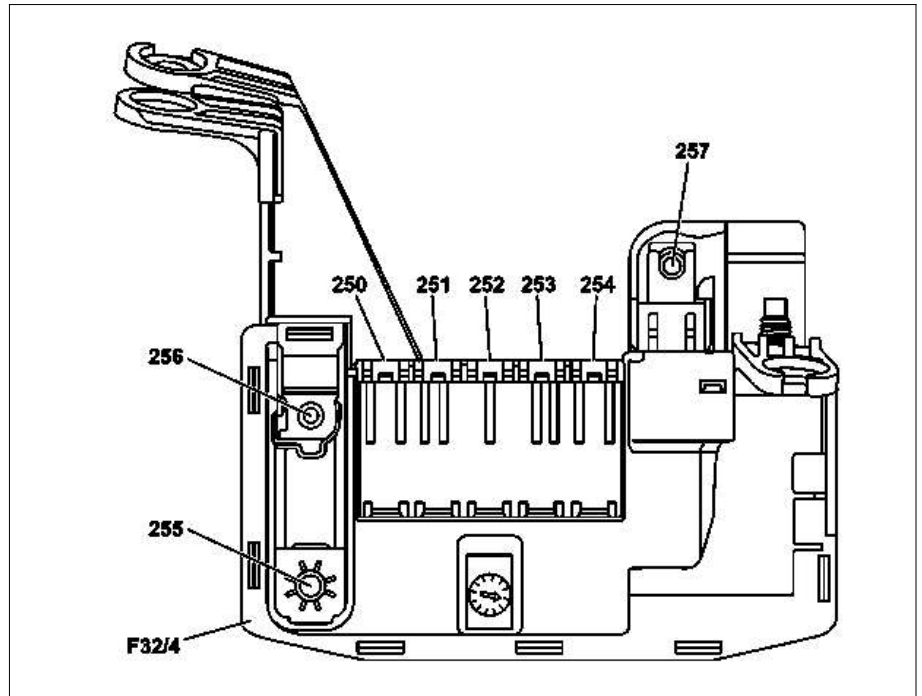


**MODEL 166**  
**as of model year 2016**  
**MODEL 292**

**Interior prefuse box**

F32/4 Interior prefuse box



P54.15-3343-06

**i** ATO and maxi fuses may only be replaced by fuses that meet the Mercedes-Benz standard MBN10153-2.

**i** The designations 250 to 257 correspond to the fuses f250 to f257 below.

Fuse	Terminal	Line ID (line fused)	Fused function	Rating in amperes (A)
f250	30	4.0 RDWH	SAM control unit (N10) (exterior lights)	40
f251	30	4.0 RDWH	SAM control unit (N10) (exterior lights)	40
f252	30	4.0 RDWH	SAM control unit (N10) (interior illumination, SRA)	40
f253	30	2.5 RDWH	Left front door control unit (N69/1)	30
f254	30	2.5 RDWH	Left rear door control unit (N69/3)	30
f255	30	25.0 RD	Battery compartment prefuse box (F33)	200
	30	25.0 RD	Rear fuse box (F4) (on model 166.063)	250
f256	30	42.0 RD	Rear fuse box (F4)	150
	30	42.0 RD	Battery compartment prefuse box (F33) (on model 166.063)	200
f257	30	16.0 RD	<b>Valid for diesel engine:</b> PTC heater booster (R22/3)	150