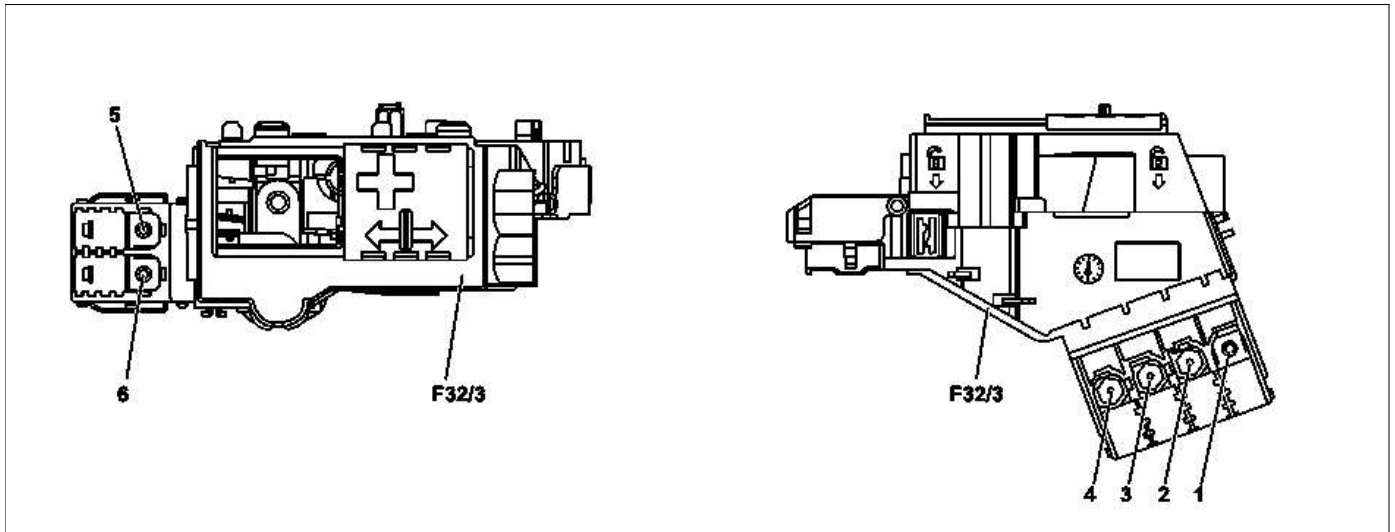


MODEL 166
as of model year 2016
MODEL 292



P54.15-3344-08

Fuse assignment of engine compartment prefuse box, viewed from top, side view

F32/3 Engine compartment prefuse box

i The designations 1 to 6 correspond to the fuses f1 to f6 below.

i Fuses f7 and f8 are located within the plastic housing.

Fuse	Terminal	Line ID (line fused)	Fused function	Rating in amperes (A)
f1	30	4.0 RDWH	Electronic Stability Program control unit (N30/4)	40
f2	30	6.0 RD	Fully integrated transmission control controller unit (Y3/8) (with CODE 421 (9G-TRONIC))	60
f3	30	2.5 RDWH	Engine compartment fuse and relay module (F58)	30
f4	-	-	Spare	-
f5	30	16.0 RD	Engine compartment fuse and relay module (F58)	150
f6	30	12.0 RD	Fan motor (M4/7)	100
f7	30	50.0 RD	Alternator (G2)	400
f8	30	12.0 RD	Electrical power steering control unit (N68)	100