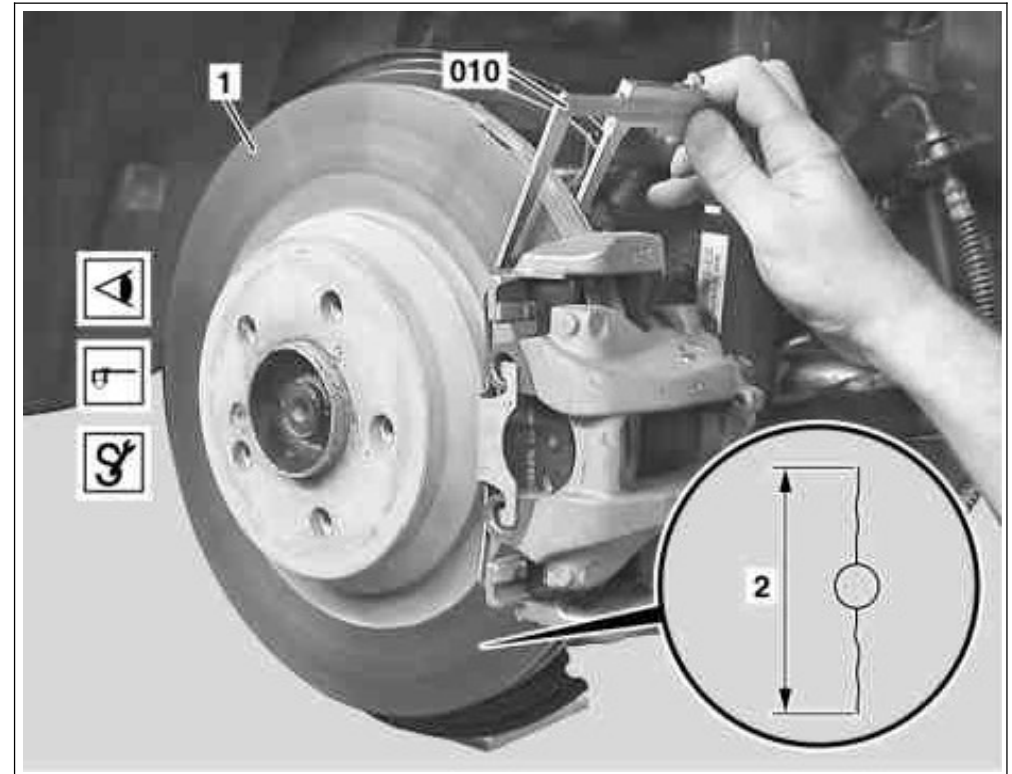


Model 164, 251

- 010 Vernier caliper
- 1 Brake disk
- 2 Crack length



P42.10-2612-11

Danger !	Risk of injury. Skin or eye injuries may result when handling hot or glowing objects.	Wear protective gloves, protective clothing and safety glasses, if necessary.	AS00.00-Z-0002-01A
	Notes on repairs to brake system		AH42.00-P-0003-01A
	Remove		
1	Remove wheel-and-tire assembly	Model 164 Model 251	AP40.10-P-4050Z AP40.10-P-4050RT

	Check		
2	Check brake disks (1) on front and rear axle for score marks and cracks	<p>i Cracks can occur due to high stress.</p> <p>i Brake disks (1) do not have to be replaced when the crack length (2) is a maximum of 25 mm. With perforated brake disks or those provided with sunk holes (1) measure the crack length (2) including the bore diameter.</p> <p>For cracks and scores which have split open and are deeper than 0.5 mm:</p> <p style="text-align: center;">↓</p> <p>Replace brake disks (1) subject to separate repair order.</p>	
	Measure		
3	Measure thickness of brake disks on front and rear axles using caliper gauge (010)	<p>Model 164, check values for brake disks on front axle Brake disk thickness</p> <p>Model 251, check values for brake disks on front axle Brake disk thickness</p> <p>Model 164, check values for rear axle brake disks Brake disk thickness</p> <p>Model 251, check values for rear axle brake disks Brake disk thickness</p> <p>🔧 Caliper gauge</p> <p>Observe recommended limit dimensions. If the wear limit has been exceeded or will be exceeded before the next brake pad change:</p> <p style="text-align: center;">↓</p> <p>Replace brake disks (1) subject to separate repair order.</p>	<p>*BE42.10-P-1001-08N</p> <p>*BE42.10-P-1001-08M</p> <p>*BE42.10-P-1001-09L</p> <p>*BE42.10-P-1001-09K</p> <p>*140589001900</p>
	Install		
4	Mount wheel and tire assembly	<p>Model 164</p> <p>Model 251</p>	<p>AP40.10-P-4050Z</p> <p>AP40.10-P-4050RT</p>

Check values for front axle brake disks

Number	Designation			Model 251 (except 251.077/177)	Model 251.077/177
BE42.10-P-1001-08M	Brake disk thickness	New	mm	32	36
		Wear limit	mm	29,4	33,4

Check values for front axle brake disks

Number	Designation			Model 164 (except 164.177)	Model 164.177
BE42.10-P-1001-08N	Brake disk thickness	New	mm	32	36
		Wear limit	mm	29,4	33,4

Check values for rear axle brake disks

Number	Designation			MODEL 251.020/021/022/023/ 026/054/057/065/072/ 075/122/123/125/126/ 154/156/157/163/165/ 175 except CODE 225, 847, MODEL 251.056	MODEL 251.020/021/022/023/ 026/054/057/065/072/ 075/122/123/125/126/ 154/156/157/163/165/ 175 with CODE 225 + 847, MODEL 251.124/166/172
BE42.10-P-1001-09K	Brake disk thickness	New	mm	14	22
		Wear limit	mm	11,4	19,4

Check values for rear axle brake disks

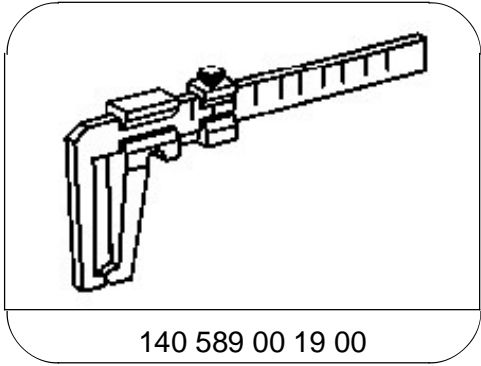
Number	Designation			Model 251.077/177
BE42.10-P-1001-09K	Brake disk thickness	New	mm	26
		Wear limit	mm	23,4

Check values for rear axle brake disks

Number	Designation	Model 164.120/121/122/125/ 156/182/186/195/825 except code U29 (18-inch brake system) Model 164.124 Model 164.175 with code 494 (US version) Model 164.175 with code 498 (Japanese version) Model 164.175 with code 625 (Australia specification)	Model 164.120/121/122/125/ 156/182/186/195/825 with code U29 (18- inch brake system) Model 164.128/172/822/823/ 824/828/871/886 Model 164.175 except code 494 (US version) except code 498 (Japanese version) except code 625 (Australia specification)		
BE42.10-P-1001-09L	Brake disk thickness	New	mm	14	22
		Wear limit	mm	11,4	19,4

Check values for rear axle brake disks

Number	Designation	Model 164.177		
BE42.10-P-1001-09L	Brake disk thickness	New	mm	26
		Wear limit	mm	23,4



140 589 00 19 00

Caliper gauge