

2022 GLE SUV Order Guide



Table of Contents

1	General Information
2	What's New
3	Models
4	Equipment
4.1	Standard Equipment
4.2	Exterior Paint Colors
4.3	Wheels
4.4	Interior Upholstery
4.6	Interior Trims
4.7	Packages
4.8	Options
4.9	Specifications
5	Options In Detail
6	Gallery

General Information

Important Note

The information presented in this guide is based on the most current information available and is intended for internal use only. Mercedes-Benz reserves the right to make changes at any time, without notice, to colors, materials, equipment, special specifications and models.

Pricing may not yet be finalized for some models or options.

Due to variances among monitors and printers the colors that appear on your screen and printouts may not be exact.

For illustrative purposes, some images may show vehicles with European Specification.

Revision History

Date	Description
02/02/2022	My22 GLE 580W4 DOG published
02/02/2022	MY22 GLE 63W4S DOG published
02/01/2022	MSRPs updated for mid-MY22
12/20/2021	AMG Line Exterior Styling Package (DG1) subject to limited availability.
11/29/2021	Update: As you are aware, MBUSA is experiencing challenges with the availability of semiconductor components due to the worldwide shortage. This has caused the addition and/or removal of certain options on vehicles. A summary of recent changes is below: Passenger Seat Memory (P64). Please note, that options that previously required P64 will now be equipped with 4B4 (Removal of adjustable seat cushion depth and electrical head restraints). Heated/Cooled cupholders (311) are also subject to limited availability.
10/22/2021	Update: As you are aware, MBUSA is experiencing challenges with the availability of semiconductor components due to the worldwide shortage. This has caused the addition and/or removal of certain options on vehicles. A summary of the changes is below: Wireless Charging, AIRMATIC Suspension, RXS and RXT wheels, Augmented Video for Navigation, and Dashcam are subject to limited availability for the remainder of MY22.
10/19/2021	Brilliant Blue paint (896) no longer available for MY22
09/01/2021	Update: As you are aware, MBUSA is experiencing challenges with the availability of semiconductor components due to the worldwide shortage. This has caused the addition and/or removal of certain options on vehicles. A summary of recent changes is below: Limited availability of AIR BALANCE (P21)
09/01/2021	Updated price of Load Sill Protectors (D26)
08/30/2021	Pricing for MANUFAKTUR paints updated for MY22
08/30/2021	MY22 MSRPs added for Mercedes-Benz models
08/16/2021	Orders and production scheduling for MY22 AMG GLE63S are suspended.
08/13/2021	Orders and production scheduling for MY22 GLE580 are suspended.
07/23/2021	Update: As you are aware, MBUSA is experiencing challenges with the availability of semiconductor components due to the worldwide shortage. This has caused the addition and/or removal of certain options on vehicles. A summary of the changes is below: Wireless Charging, AIRMATIC Suspension, RXS and RXT wheels, Augmented Video for Navigation, and Dashcam are subject to limited availability
06/03/2021	All-Season floor mats now available
06/02/2021	Augmented Video for Navigation (U19) and Dashcam (21U) have delayed availability.
05/25/2021	MY22 DOG initially published

What's New

Exterior

- **Cirrus Silver (922) replaces Iridium Silver (775)**

Packages and Stand-Alone Options

- **ENERGIZING Comfort Package (DB8) no longer available**
- **Air Balance (P21) available as standalone option only**
- **Augmented Video (U19) available as standalone option only**
- **Multicontour Front Seats with Massage Feature (399) available as standalone option only**
- **Heated and Ventilated Front Seats (401) available as standalone option only for 53 model**

Standard Equipment

- **Adaptive Highbeam Assist (608) now standard**

Models



GLE53W4 (167.161)

- MSRP: \$74,150
- Transmission: AMG SPEEDSHIFT TCT 9-speed automatic transmission
- Acceleration 0-60mpg (sec): 5.2
- Engine Configuration: AMG-Enhanced 3.0L I6 Turbo Engine
- ICE Power (hp): 429 hp
- Torque (lb-ft): 384 lb-ft
- Launch Date: Q3 2021



GLE63W4S (167.189)

- MSRP: TBD
- Transmission: AMG SPEEDSHIFT TCT 9-speed automatic transmission
- Acceleration 0-60mpg (sec): 3.7
- Engine Configuration: Handcrafted AMG 4.0L V8 Bi-Turbo Engine
- ICE Power (hp): 603 hp
- Torque (lb-ft): 627 lb-ft
- Launch Date: TBD

Standard Equipment

GLE53W4



Performance & Handling

- AMG SPEEDSHIFT TCT 9-speed automatic transmission
- EQ Boost Starter-Alternator
- AMG Performance 4MATIC+® all-wheel drive
- Adaptive Damping Plus
- AMG-Enhanced 3.0L I6 Turbo engine
- AMG DYNAMIC SELECT
- AMG RIDE CONTROL+ Suspension based on AIRMATIC
- 20" AMG Wheels

Comfort & Convenience

- KEYLESS-START
- Power tilt/sliding sunroof
- AMG Performance Steering wheels with touch controllers
- MBUX User Interface
- 12.3" Media Display with touchscreen
- Apple CarPlay and Android Auto
- NFC Wireless Charging
- Active Parking Assist
- Power Front Seats with 4-Way Lumbar Support and Driver Memory
- Garage Door Opener
- Power Lift gate
- Privacy Glass
- Roof rails
- KEYLESS-GO®
- 115V Power Outlet
- Remote Start
- LED headlamps
- Touchpad in center console
- 12.3" fully digital instrument cluster
- Smartphone Integration
- 5 USBs (3 in front, 2 in rear)
- MB Navigation with Live Traffic and Map Updates for 3 years
- Heated Front Seats
- 2-Zone Climate control
- Load Compartment Cover
- Double Sun Visors
- Power Folding Mirrors, Auto-dimming Driver and Rearview Mirrors, Mirror Logo Projector
- HANDS-FREE-ACCESS
- 64 Color Ambient Lighting
- Burmester® Surround Sound System

Safety & Security

- Blind Spot Assist
- Rear View Camera
- Active Brake Assist
- Anti-Theft Alarm System
- Power folding Mirrors, Auto-dimming Driver and Rearview Mirrors
- ATTENTION ASSIST®
- PRE-SAFE®
- eCall-Emergency System
- Active Lane Keeping Assist

Performance & Handling

- AMG SPEEDSHIFT TCT 9-speed automatic transmission
- EQ Boost Starter-Alternator
- AMG Performance 4MATIC+® all-wheel drive
- Adaptive Damping Plus
- Active Dynamic Engine Mounts
- Active Curve System
- Handcrafted AMG 4.0L V8 biturbo engine
- AMG DYNAMIC SELECT
- AMG ACTIVE RIDE CONTROL based on AMG RIDE CONTROL+
- 21" AMG Wheels with High-Performance Summer Tires
- Electronic Locking Differential
- AMG High-Performance Braking System

Comfort & Convenience

- KEYLESS-START
- Power tilt/sliding sunroof
- KEYLESS-GO®
- Touchpad in center console
- HANDS-FREE-ACCESS
- 12.3" fully digital instrument cluster
- Smartphone Integration
- NFC Wireless Charging
- Active Parking Assist
- Power Front Seats with 4-Way Lumbar Support and Driver Memory
- Garage Door Opener
- Power Lift gate
- Double Sun Visors
- Mirror Package (Power Folding Mirrors, Auto-dimming Driver and Rearview Mirrors, Mirror Logo Projector)
- 64 Color Ambient Lighting
- Burmester® Surround Sound System
- Remote Start
- Active LED headlamps with Adaptive Highbeam Assist
- AMG Performance Steering wheels with touch controllers
- MBUX User Interface
- 5 USBs (3 in front, 2 in rear)
- 12.3" Media Display with touchscreen
- Apple CarPlay and Android Auto
- MB Navigation with Live Traffic and Map Updates for 3 years
- Heated and Ventilated Front Seats
- 2-Zone Climate control
- Load Compartment Cover
- Spare tire
- Privacy Glass
- Roof rails
- 115V Power Outlet
- SiriusXM Radio

Safety & Security

- Blind Spot Assist
- Surround View System
- Active Brake Assist
- Anti-Theft Alarm System
- Power folding Mirrors, Auto-dimming Driver and Rearview Mirrors
- ATTENTION ASSIST®
- PRE-SAFE®
- eCall-Emergency System
- Active Lane Keeping Assist

Paint

Non-Metallic Paints

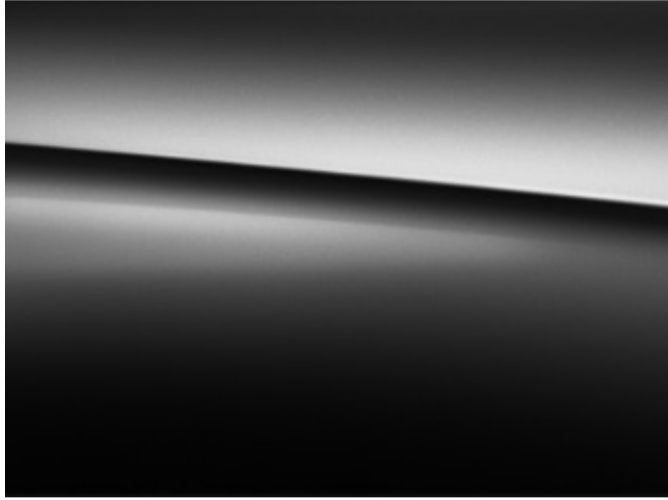


040U - Black

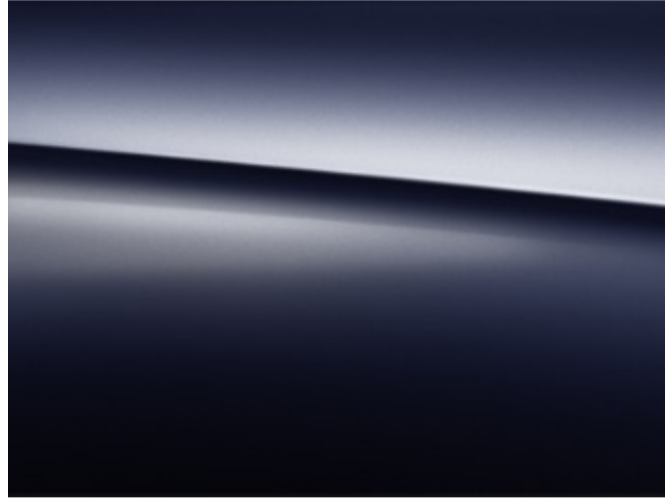


149U - Polar White

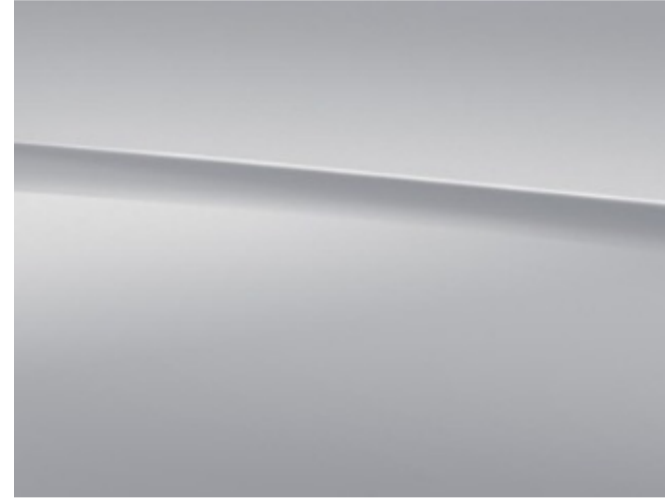
Metallic Paints



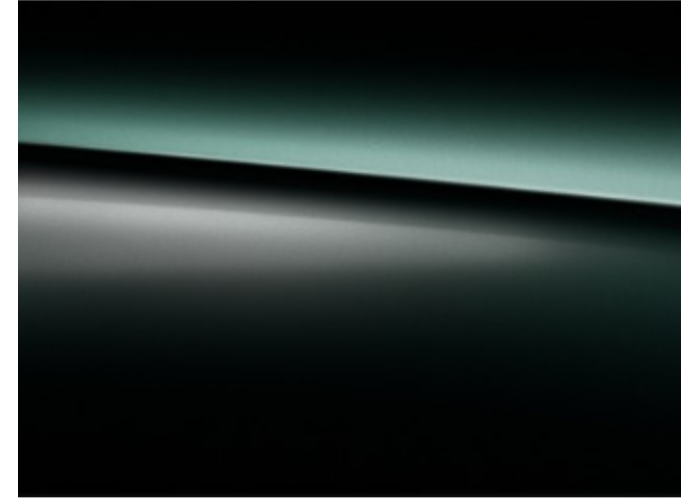
197U - Obsidian Black



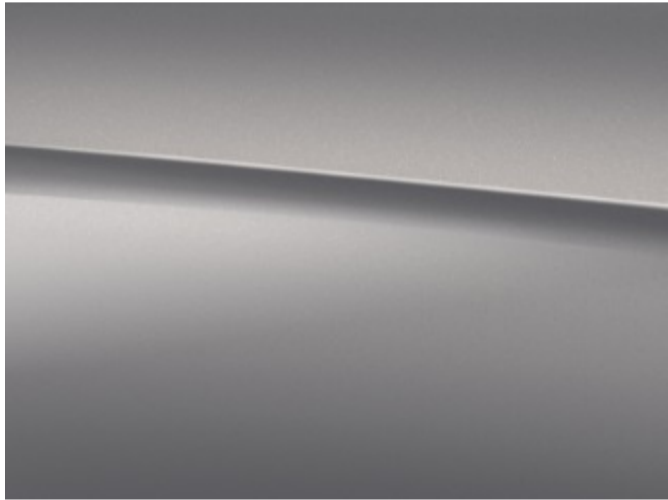
890U - Lunar Blue



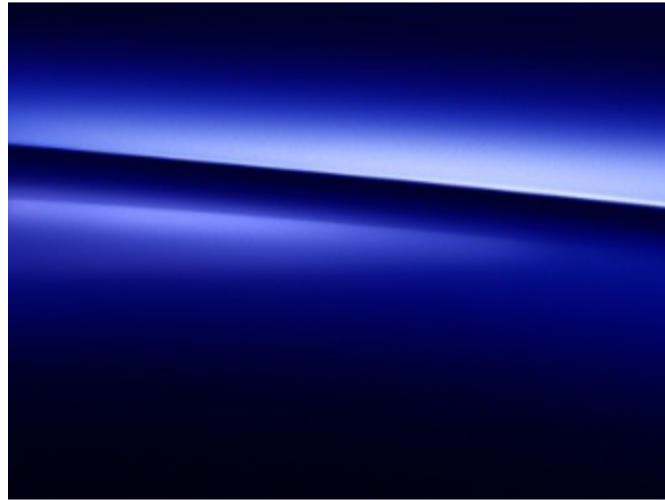
922U - Cirrus Silver



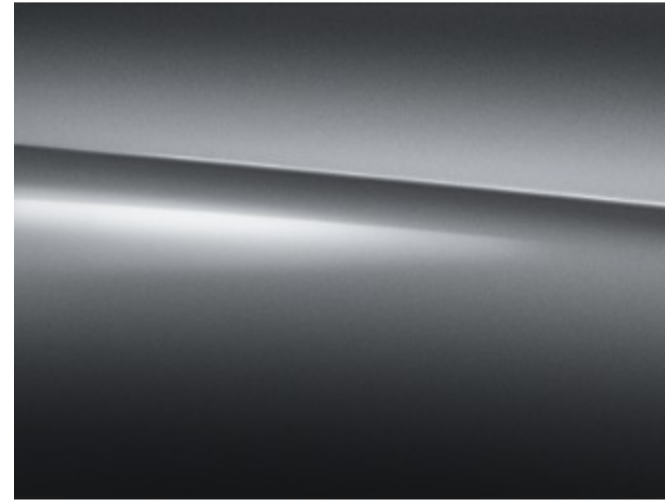
989U - Emerald Green



859U - Mojave Silver



896U - Brilliant Blue

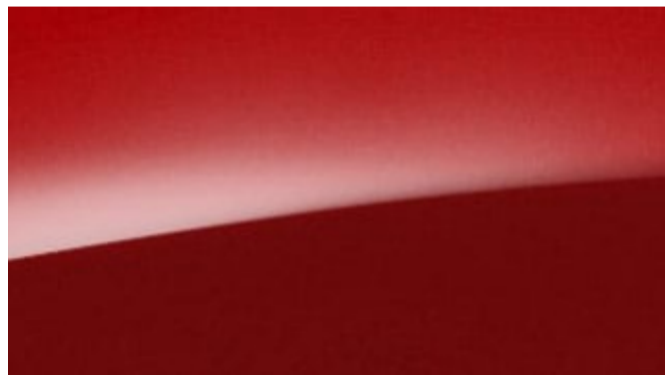


992U - Selenite Grey

MANUFAKTUR Paints



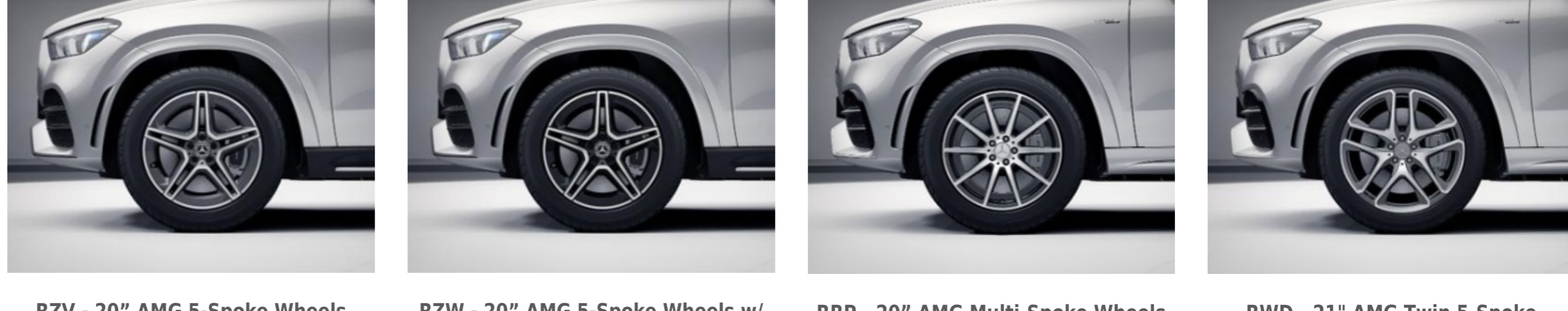
799U - Diamond White Metallic



996U - Cardinal Red Metallic

<i>Code</i>	<i>Description</i>	<i>Availability</i>	<i>Price</i>
040U	Black	All Models	\$0
149U	Polar White	All Models	\$0
197U	Obsidian Black	All Models	\$750
890U	Lunar Blue	All Models	\$750
922U	Cirrus Silver	All Models	\$750
989U	Emerald Green	All Models	\$750
859U	Mojave Silver	All Models	\$750
896U	Brilliant Blue	All Models	\$750
992U	Selenite Grey	All Models	\$750
799U	Diamond White Metallic	All Models	\$1,750 (GLE53W4) \$1,515 (GLE63W4S)
996U	Cardinal Red Metallic	All Models	\$1,750 (GLE53W4) \$1,080 (GLE63W4S)

Wheels

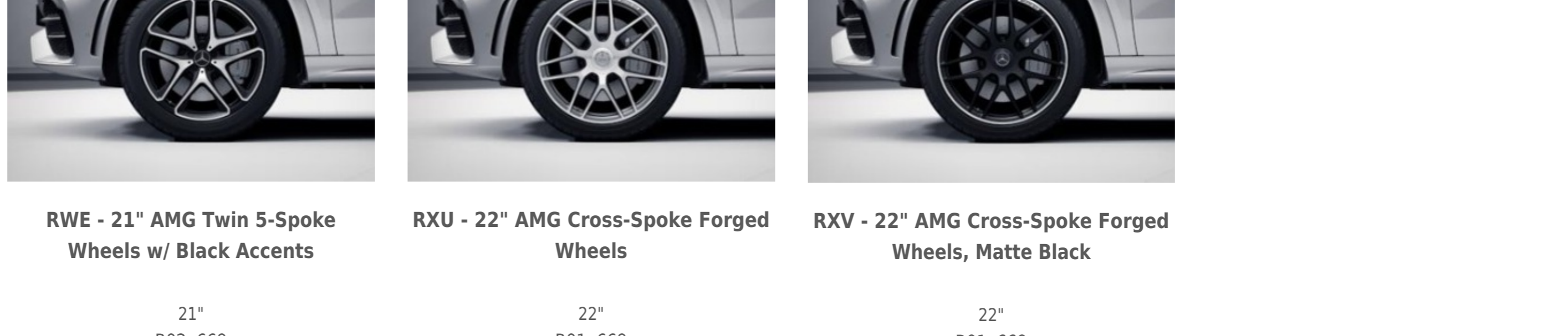


RZV - 20" AMG 5-Spoke Wheels
Standard on GLE 53
20"
R01, 669
AMG Twin 5-Spoke Wheels
275/50 R20 on 9 J x 20 ET 57 (Front) 275/50 R20 on 9 J x 20 ET 44 (Rear)

RZW - 20" AMG 5-Spoke Wheels w/ Black Accents
GLE53 only
20"
R01, 669
AMG 5-Spoke Wheels w/ Black Accents
275/50 R20 on 9 J x 20 ET 57 (Front) 275/50 R20 on 9 J x 20 ET 44 (Rear)

RRP - 20" AMG Multi-Spoke Wheels
GLE53 only
20"
R01, 669
AMG 10-Spoke Wheel
275/50 R20 on 9.5 J x 20 ET 57 (Front) 275/50 R20 on 9.5 J x 20 ET 45 (Rear)

RWD - 21" AMG Twin 5-Spoke Wheels
Standard on GLE 63 S
21"
R02, 669
AMG Twin 5-Spoke Wheel
275/45 R 21 on 10 J x 21 ET51 (Front) 315/40 R 21 on 11 J x 21 ET47 (Rear)



RWE - 21" AMG Twin 5-Spoke Wheels w/ Black Accents
21"
R02, 669
AMG Twin 5-Spoke Wheel, Matte Black
275/45 R 21 on 10 J x 21 ET51 (Front) 315/40 R 21 on 11 J x 21 ET47 (Rear)

RXU - 22" AMG Cross-Spoke Forged Wheels
22"
R01, 669
AMG Cross-Spoke Wheel
285/40 R 22 on 10 J x 22 ET55 (Front) 325/35 R 22 on 11 J x 22 ET53 (Rear)

RXV - 22" AMG Cross-Spoke Forged Wheels, Matte Black
22"
R01, 669
AMG Cross-Spoke Wheel, Matte Black
285/40 R 22 on 10 J x 22 ET56 (Front) 325/35 R 22 on 11 J x 22 ET52 (Rear)

Code	Wheel Size	Description	Wheel Dimensions	Mobility	Availability	MSRP
RZV	20"	AMG Twin 5-Spoke Wheels Standard on GLE 53	275/50 R20 on 9 J x 20 ET 57 (Front) 275/50 R20 on 9 J x 20 ET 44 (Rear)	R01, 669	GLE53W4	\$0
RZW	20"	AMG 5-Spoke Wheels w/ Black Accents GLE53 only	275/50 R20 on 9 J x 20 ET 57 (Front) 275/50 R20 on 9 J x 20 ET 44 (Rear)	R01, 669	GLE53W4	\$200
RRP	20"	AMG 10-Spoke Wheel GLE53 only	275/50 R20 on 9.5 J x 20 ET 57 (Front) 275/50 R20 on 9.5 J x 20 ET 45 (Rear)	R01, 669	GLE53W4	\$0
RWD	21"	AMG Twin 5-Spoke Wheel Standard on GLE 63 S	275/45 R 21 on 10 J x 21 ET51 (Front) 315/40 R 21 on 11 J x 21 ET47 (Rear)	R02, 669	All Models	\$1,000 (GLE53W4) \$0 (GLE63W4S)
RWE	21"	AMG Twin 5-Spoke Wheel, Matte Black	275/45 R 21 on 10 J x 21 ET51 (Front) 315/40 R 21 on 11 J x 21 ET47 (Rear)	R02, 669	All Models	\$1,200 (GLE53W4) \$200 (GLE63W4S)
RXU	22"	AMG Cross-Spoke Wheel	285/40 R 22 on 10 J x 22 ET55 (Front) 325/35 R 22 on 11 J x 22 ET53 (Rear)	R01, 669	All Models	\$3,750 (GLE53W4) \$2,750 (GLE63W4S)
RXV	22"	AMG Cross-Spoke Wheel, Matte Black	285/40 R 22 on 10 J x 22 ET56 (Front) 325/35 R 22 on 11 J x 22 ET52 (Rear)	R01, 669	All Models	\$4,250 (GLE53W4) \$3,250 (GLE63W4S)

GLE53W4 Notes: R01: High Performance Tires R02: All-Season Tires 669: Collapsible Spare Tire B51: TIREFIT
GLE63W4S Notes: R01: High Performance Tires R02: All-Season Tires 669: Collapsible Spare Tire B51: TIREFIT

Upholstery

MB Tex



651 - Black w/ Red Contrast Topstitching

Contains Y05 Red Seatbelts and U08 MB-Tex Upper Dash

Nappa Leather



851 - Black

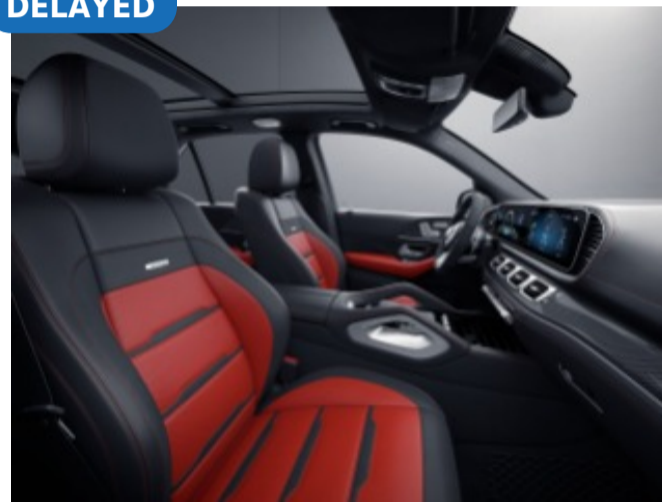
Requires U09 MB-Tex Dashboard and Door Panels



854 - Tartufo Brown / Black

Requires U09 MB-Tex Dashboard and Door Panels

DELAYED



857 - Classic Red / Black

Requires U09 MB-Tex Dashboard and Door Panels

Exclusive Nappa Leather



551 - Black

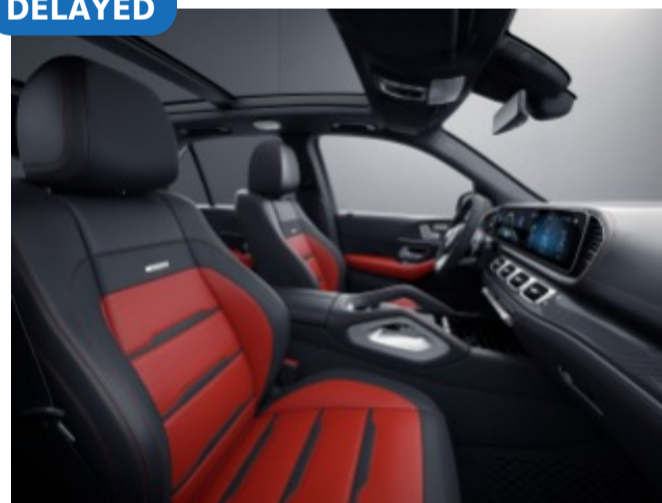
Includes U38 Nappa Leather Dashboard and Door Panels



554 - Tartufo Brown / Black

Includes U38 Nappa Leather Dashboard and Door Panels

DELAYED



557 - Classic Red / Black

Includes U38 Nappa Leather Dashboard and Door Panels



561 - Black with Diamond Stitching

Includes U38 Nappa Leather Dashboard and Door Panels



565 - Macchiato Beige with Diamond Stitching

Includes U38 Nappa Leather Dashboard and Door Panels



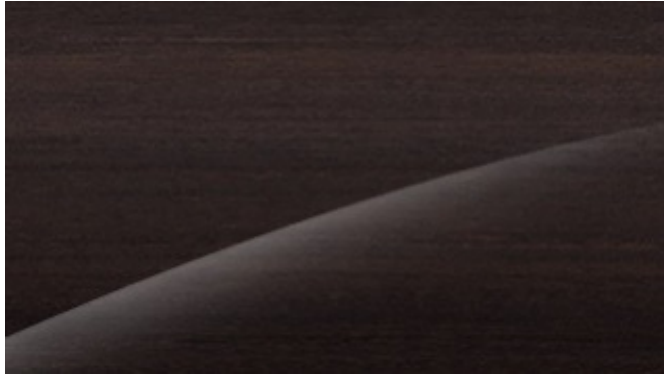
571 - Black with Grey Accents

Includes U38 Nappa Leather Dashboard and Door Panels

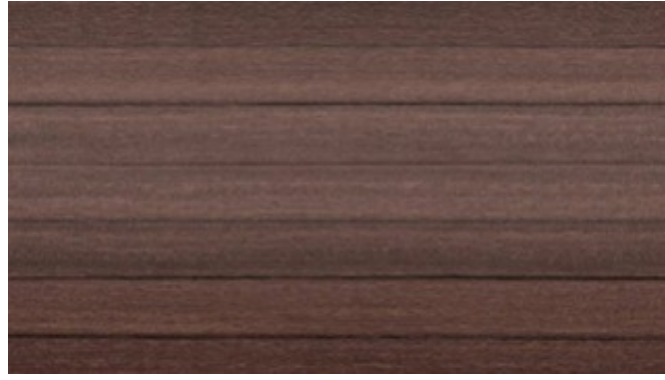
<i>Code</i>	<i>Description</i>	<i>Availability</i>	<i>Price</i>
651	Black w/ Red Contrast Topstitching Contains Y05 Red Seatbelts and U08 MB-TEX Upper Dash	GLE53W4	\$0
851	Black Requires U09 MB-TEX Dashboard and Door Panels	GLE53W4	\$2,990
854	Tartufo Brown / Black Requires U09 MB-TEX Dashboard and Door Panels	GLE53W4	\$2,990
857 (Delayed)	Classic Red / Black Requires U09 MB-TEX Dashboard and Door Panels	GLE53W4	\$2,990
551	Black Includes U38 Nappa Leather Dashboard and Door Panels	All Models	\$4,550 (GLE53W4) \$0 (GLE63W4S)
554	Tartufo Brown / Black Includes U38 Nappa Leather Dashboard and Door Panels	All Models	\$4,550 (GLE53W4) \$0 (GLE63W4S)
557 (Delayed)	Classic Red / Black Includes U38 Nappa Leather Dashboard and Door Panels	All Models	\$4,550 (GLE53W4) \$0 (GLE63W4S)
561	Black with Diamond Stitching Includes U38 Nappa Leather Dashboard and Door Panels	All Models	\$4,800 (GLE53W4) \$250 (GLE63W4S)
565	Macchiato Beige with Diamond Stitching Includes U38 Nappa Leather Dashboard and Door Panels	All Models	\$4,800 (GLE53W4) \$250 (GLE63W4S)
571	Black with Grey Accents Includes U38 Nappa Leather Dashboard and Door Panels	GLE63W4S	\$0

<i>Code</i>	<i>Upholstery</i>	<i>Seats</i>	<i>Floor Mats</i>	<i>Upper Dash/Lower Dash</i>	<i>Seat Belts</i>	<i>Steering Wheel</i>	<i>Headliner</i>
651	Black w/ Red Contrast Topstitching Contains Y05 Red Seatbelts and U08 MB-TEX Upper Dash	Black	Black	Black/Black	Red	Black	Black
851	Black Requires U09 MB-TEX Dashboard and Door Panels	Black	Black	Black/Black	Black	Black	Black
854	Tartufo Brown / Black Requires U09 MB-TEX Dashboard and Door Panels	Tartufo Brown/Black	Black	Black/Black	Black	Black	Black
857 (Delayed)	Classic Red / Black Requires U09 MB-TEX Dashboard and Door Panels	Classic Red/Black	Black	Black/Black	Black	Black	Black
551	Black Includes U38 Nappa Leather Dashboard and Door Panels	Black	Black	Black/Black	Black	Black	Black
554	Tartufo Brown / Black Includes U38 Nappa Leather Dashboard and Door Panels	Tartufo Brown/Black	Black	Black/Black	Black	Black	Black
557 (Delayed)	Classic Red / Black Includes U38 Nappa Leather Dashboard and Door Panels	Classic Red/Black	Black	Black/Black	Black	Black	Black
561	Black with Diamond Stitching Includes U38 Nappa Leather Dashboard and Door Panels	Black	Black	Black/Black	Black	Black	Black
565	Macchiato Beige with Diamond Stitching Includes U38 Nappa Leather Dashboard and Door Panels	Macchiato Beige	Black	Black/Macchiato Beige	Macchiato Beige	Black	Macchiato Beige
571	Black with Grey Accents Includes U38 Nappa Leather Dashboard and Door Panels	Black/Magma Grey	Black	Black/Black	Magma Grey	Black	Black

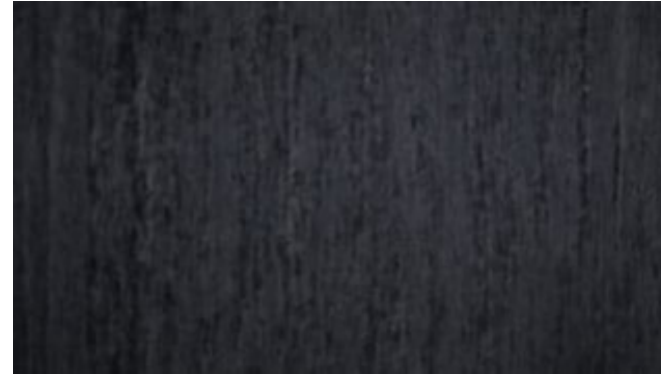
Trims



H18 - Dark Grey Linden Wood



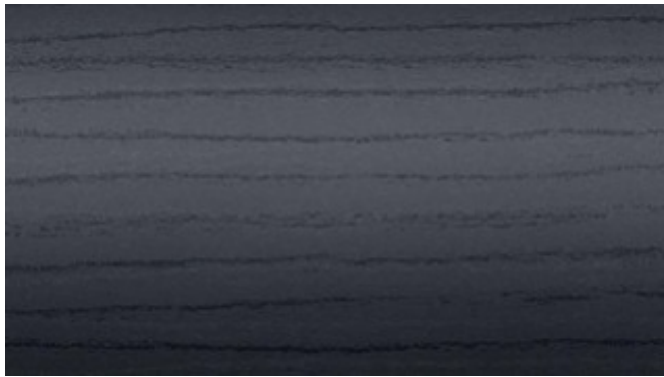
H22 - Natural Grain Brown Walnut



H31 - Natural Grain Grey Oak



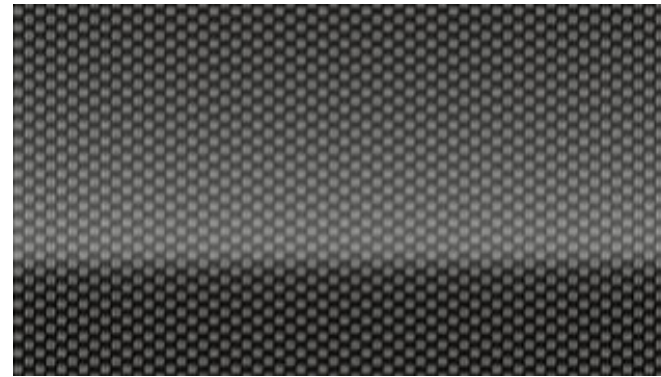
H34 - MANUFAKTUR Brown Linden Wood Flowing Lines



H35 - MANUFAKTUR Natural Grain Black Wood



H46 - Brushed Aluminum



H64 - Metal Weave



H86 - AMG Carbon Fiber

<i>Code</i>	<i>Description</i>	<i>Availability</i>	<i>Price</i>
H18	Dark Grey Linden Wood	All Models	\$0
H22	Natural Grain Brown Walnut	All Models	\$160 (GLE53W4) \$0 (GLE63W4S)
H31	Natural Grain Grey Oak	All Models	\$160 (GLE53W4) \$0 (GLE63W4S)
H34	MANUFAKTUR Brown Linden Wood Flowing Lines	All Models	\$850 (GLE53W4) \$690 (GLE63W4S)
H35	MANUFAKTUR Natural Grain Black Wood	All Models	\$850 (GLE53W4) \$690 (GLE63W4S)
H46	Brushed Aluminum	All Models	\$0
H64	Metal Weave	All Models	\$600 (GLE53W4) \$440 (GLE63W4S)
H86	AMG Carbon Fiber	All Models	\$1,750

Packages

<i>Code</i>	<i>Packages</i>	<i>Availability</i>	<i>MSRP</i>
DA2PKG	<p>Driver Assistance Package PLUS Requires Parking Assist Package (DA3PKG), Leather upholstery</p> <ul style="list-style-type: none"> ▪ P20 - Driver Assistance Package PLUS <ul style="list-style-type: none"> ○ Active Lane Keeping Assist ○ 233 - Active Distance Assist DISTRONIC® ○ Active Blind Spot Assist ○ Active Stop-and-Go Assist ○ Active Lane Change Assist ○ 266 - Active Steering Assist ○ Active Emergency Stop Assist ○ Route-Based Speed Adaptation ○ Active Brake Assist with Cross-Traffic Function ○ 546 - Active Speed Limit Assist ○ Evasive Steering Assist ○ 253 - PRE-SAFE® PLUS Rear End Collision Protection ○ 513 - Traffic Sign Assist 	All Models	\$1,950
DA3PKG	<p>Parking Assistance Package</p> <ul style="list-style-type: none"> ▪ P47 - Parking Assist code <ul style="list-style-type: none"> ○ 501 - Surround View System 	GLE53W4	\$500
DA4PKG	<p>Exterior Lighting Package</p> <ul style="list-style-type: none"> ▪ 608 - Adaptive Highbeam Assist ▪ 640 - LED Intelligent Light System 	GLE53W4	\$900
DC1PKG	<p>AMG Night Package</p> <ul style="list-style-type: none"> ▪ P60 - Night Package Code <ul style="list-style-type: none"> ○ WCO1 - Wheel Choice Of: <ul style="list-style-type: none"> ○ RXV - 22" AMG Cross-Spoke, Matte Black ○ RZW - 20" AMG 5-Spoke Wheels, Black ○ RWE - 21" AMG Twin 5-Spoke, Matte Black ○ Includes Trim on A-wing, Trim on rear apron, Tailpipes, Front Splitter, Window Frames, Heat-insulating dark-tinted glass, railing in High-Gloss Black 	All Models	\$750
DB0PKG	<p>Warmth and Comfort Package</p> <ul style="list-style-type: none"> ▪ P68 - Warmth and Comfort Package code <ul style="list-style-type: none"> ○ 906 - Heated Armrest ○ 902 - Rapid Heating Functionality for Front Seats 	All Models	\$1,050
DB4PKG	<p>3rd Row Seat Package Includes Tire fit (B51), Requires Passenger Seat Memory (P64)</p> <ul style="list-style-type: none"> ▪ 847 - 3rd Row Seat ▪ 567 - Power 2nd Row Seat 	GLE53W4	\$2,100
DC5PKG	<p>Acoustic Comfort Package</p> <ul style="list-style-type: none"> ▪ PAF - Acoustic Comfort Code <ul style="list-style-type: none"> ○ Increased Cabin Insulation, Windshield with Infrared-Reflecting film, Side Windows with Acoustic ○ Infrared Absorbing Film 	All Models	\$1,100
DC6PKG	<p>Burmester High-End Surround Sound System Package (n/a with 77B MBUX Interior Assistant)</p> <ul style="list-style-type: none"> ▪ B51 - Tirefit ▪ 811 - Burmester® High End 3D Surround Sound System 	All Models	\$4,550
DE6PKG	<p>AMG DYNAMIC PLUS Package</p> <ul style="list-style-type: none"> ▪ 256 - AMG TRACK PACE ▪ U88 - AMG DRIVE Unit ▪ U70 - AMG High Performance Braking System with Red Painted Brake Calipers ▪ 465 - AMG ACTIVE RIDE CONTROL Suspension based on AMG RIDE CONTROL+ (Including eActive Roll Stabilization) ▪ L6G - AMG Performance Steering Wheel in DINAMICA 	GLE53W4	\$5,200

Options

Factory Options

<i>Code</i>	<i>Options</i>	<i>Availability</i>	<i>MSRP</i>
L6G	AMG Performance Steering Wheel in DINAMICA (requires U88 AMG Drive Unit, n/a with 443 Heated Steering Wheel)	All Models	\$600 (GLE53W4) \$100 (GLE63W4S)
L6J	AMG Performance Steering Wheel in Nappa Leather	All Models	\$0
L6K	AMG Performance Steering Wheel in Nappa Leather/DINAMICA	All Models	\$500 (GLE53W4) \$0 (GLE63W4S)
P21 (Delayed)	Air Balance Package	All Models	\$350 (GLE53W4) \$500 (GLE63W4S)
P64	Passenger Seat Memory	GLE53W4	\$350
U09	MB-Tex Dashboard and Door Panels	GLE53W4	\$350
U17	Omission of Color Seatbelts (replaces Y05)	All Models	\$0
U19	Augmented Video	All Models	\$350 (GLE53W4) \$250 (GLE63W4S)
U29	AMG High-Performance Braking System (n/a with RZV, RZW, or RRP wheels)	GLE53W4	\$2,500
U78	AMG Performance Exhaust System	GLE53W4	\$1,250
U88	AMG Drive Unit (not available with 443 Heated Steering Wheel)	GLE53W4	\$400
Y05	Red Seatbelts (only avail w 651, 851, 857, 551, or 557 upholstery)	All Models	\$0
256	AMG Track Pace	GLE53W4	\$250
293	Rear Side Airbags	All Models	\$700
297	Powered Rear Side-Window Sunshades	GLE53W4	\$380
311	Heated and Cooled Cupholders	GLE53W4	\$180
399	Multicontour Front Seats with Massage	All Models	\$1,100
401	Heated and Ventilated Front Seats (n/a with 651 upholstery)	GLE53W4	\$450
413	Panorama Sunroof	All Models	\$1,000
443	Heated Steering Wheel (not available with U88 AMG Drive Unit or DE6 AMG DYNAMIC PLUS Package)	All Models	\$250
463	HEAD UP DISPLAY (HUD)	All Models	\$1,100 (GLE53W4) \$0 (GLE63W4S)
550	Trailer Hitch	GLE53W4, GLE63W4S	\$575
581	4-Zone Climate Control	All Models	\$860 (GLE53W4) \$760 (GLE63W4S)
61U	Black DINAMICA Headliner	GLE53W4	\$1,600
77B	Interior Assistant (not available with DC6 Burmester High End Surround Sound Package System)	All Models	\$200
846	Brushed aluminum illuminated running boards	All Models	\$650
872	Heated Rear Seats	All Models	\$580
875	Heated Windshield Washer System	GLE53W4	\$200
883	Soft Close Doors	All Models	\$550
902	Rapid Seat Heating	All Models	\$450
55U	Macchiato Beige Headliner only icw 565 Macchiato Beige Upholstery	GLE53W4	\$0
B07	AMG High-Performance Ceramic Compound Braking System	GLE63W4S	\$5,450
B14	Carbon Fiber Engine Cover	GLE63W4S	\$1,600
L6H	AMG Performing Steering Wheel in Carbon Fiber/ DINAMICA	GLE63W4S	\$400
Y04	Silver Seatbelts	GLE63W4S	\$0
567	Power Second Row	GLE63W4S	\$1,200

VPC Installed Options

<i>Code</i>	<i>Options</i>	<i>Availability</i>	<i>MSRP</i>
D03	Illuminated Star (n/a with DA2 Drivers Assistance Package)	All Models	\$500
D07	Wheel Locking Bolts	All Models	\$150
D08	Chrome Door Handle Inserts	All Models	\$100
D24	Side Body Cladding, Black	GLE53W4	\$450
D26	Chrome Load Sill Guard	GLE53W4	\$150
D14	Chrome Door Fin Cover	GLE63W4S	\$160

Specifications

GLE53W4



Chassis

Drivetrain

Transmission	AMG SPEEDSHIFT TCT 9-speed automatic transmission
Drive Configuration	All-wheel drive

Engine

Engine Configuration	AMG-Enhanced 3.0L I6 Turbo Engine
ICE Power (hp)	429 hp
Torque (lb-ft)	384 lb-ft
Compression Ratio	10.5 : 1
Fuel Requirement (Octane)	91
Fuel Tank Size (gallons)	22.5
Displacement (cc)	2,999

Performance

Acceleration 0-60pmg (sec)	5.2
Top Speed (mph)	155(icw R01)
Transmission Speeds	9
Electric Motor (hp), System Output (hp)	21
Electric Motor (lb-ft), System Torque (lb-ft)	184
Maximum Load (lbs)	TBD
Towing Capacity (lbs)	7,700 lbs

Fuel Economy

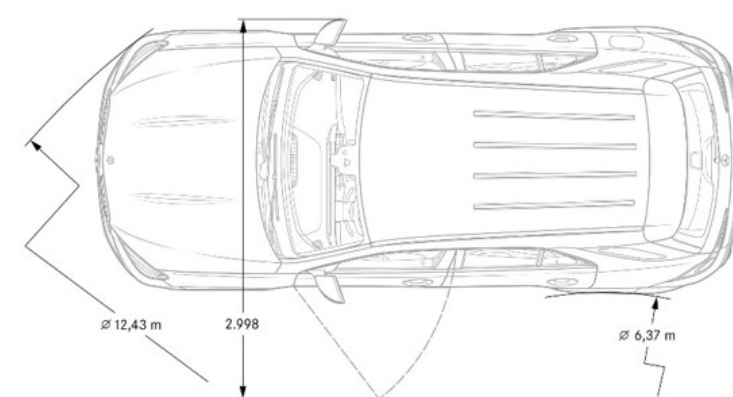
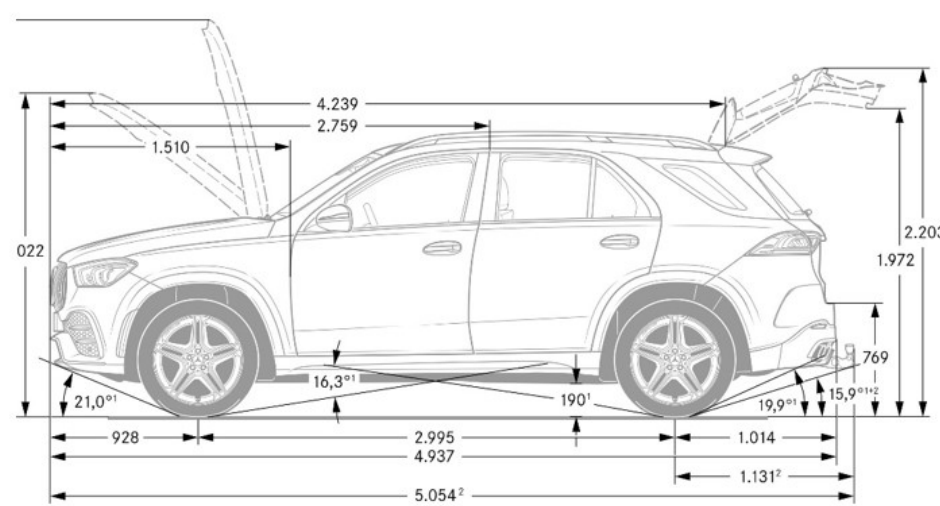
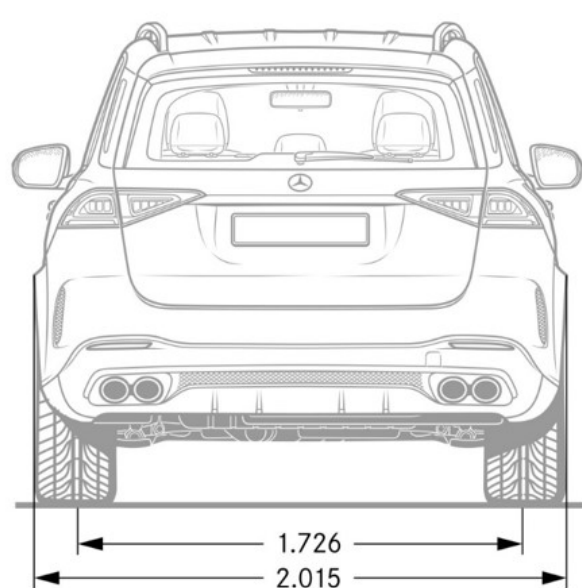
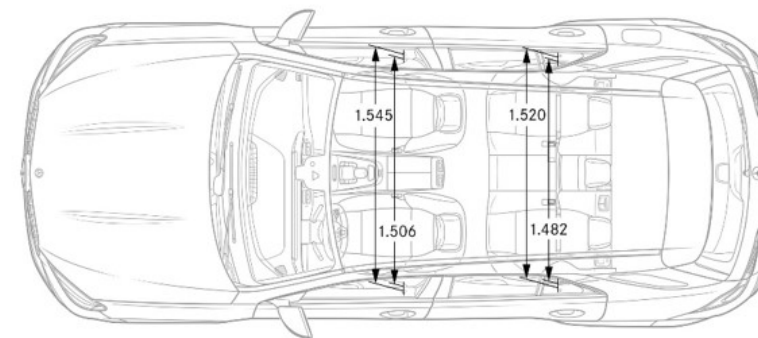
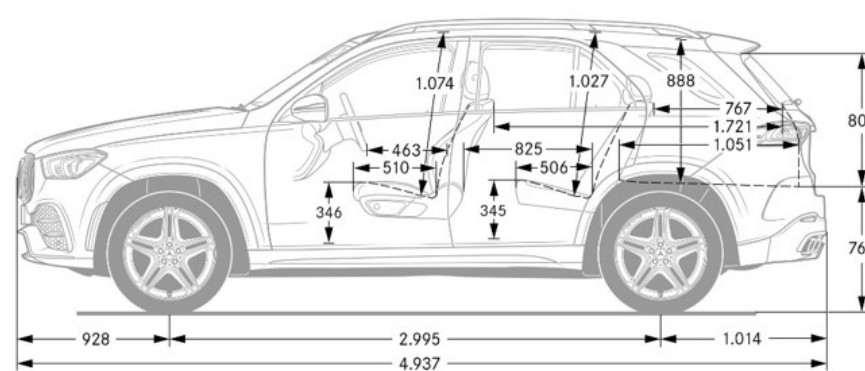
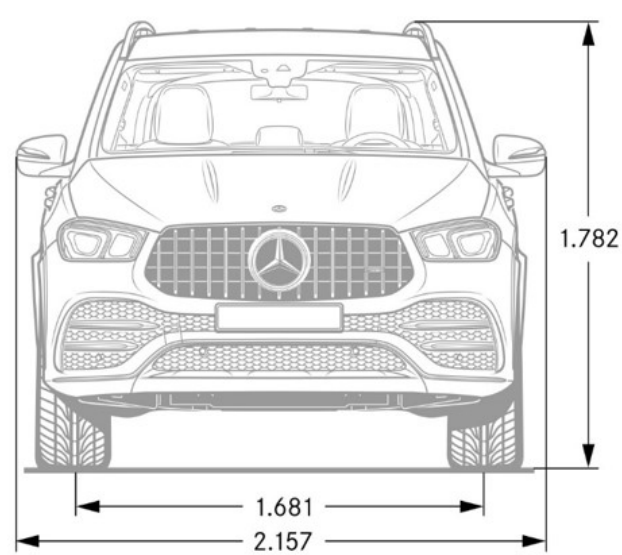
City Fuel Economy	TBD
Highway Fuel Economy	TBD
Emission Certification	TBD

Exterior Dimensions

Vehicle Length (in.)	194.4
Vehicle Height (in.)	70.2
Vehicle Width w/ exterior mirrors (in.)	84.9
Wheelbase (in.)	117.9
Curb Weight (lbs)	TBD
Track Width Front/Rear (in.)	66.18/67.91

Interior Dimensions

Cargo Capacity	TBA
Trunk Size	TBA



*Chassis**Drivetrain*

Transmission	AMG SPEEDSHIFT TCT 9-speed automatic transmission
Drive Configuration	All-wheel drive

Engine

Engine Configuration	Handcrafted AMG 4.0L V8 Bi-Turbo Engine
ICE Power (hp)	603 hp
Torque (lb-ft)	627 lb-ft
Compression Ratio	10.5 : 1
Fuel Requirement (Octane)	91
Fuel Tank Size (gallons)	22.5
Displacement (cc)	3,982

Performance

Acceleration 0-60pmg (sec)	3.7
Top Speed (mph)	174
Transmission Speeds	9
Electric Motor (hp), System Output (hp)	21
Electric Motor (lb-ft), System Torque (lb-ft)	184
Maximum Load (lbs)	TBD
Towing Capacity (lbs)	7,700 lbs

Fuel Economy

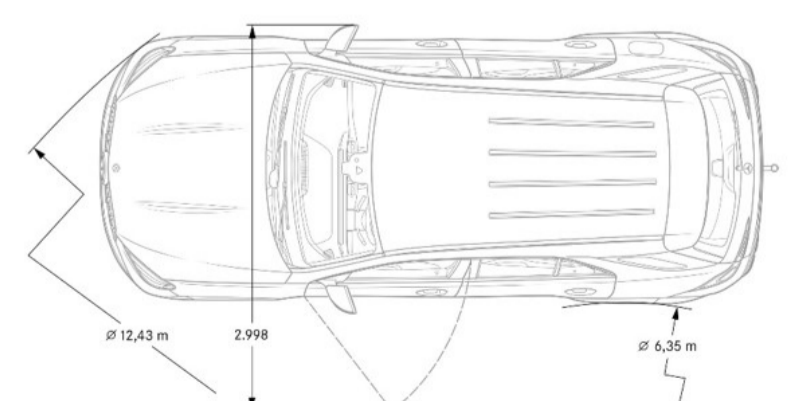
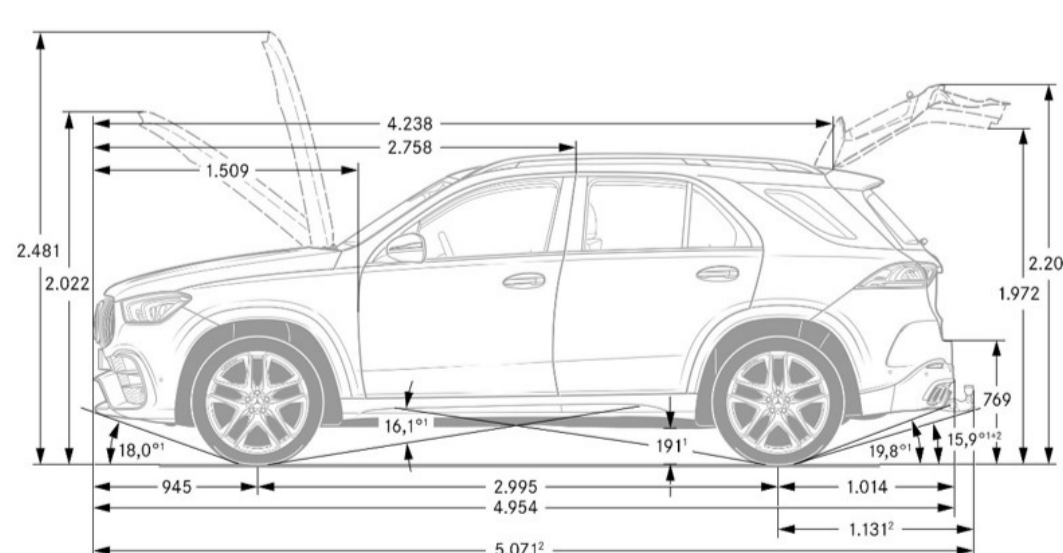
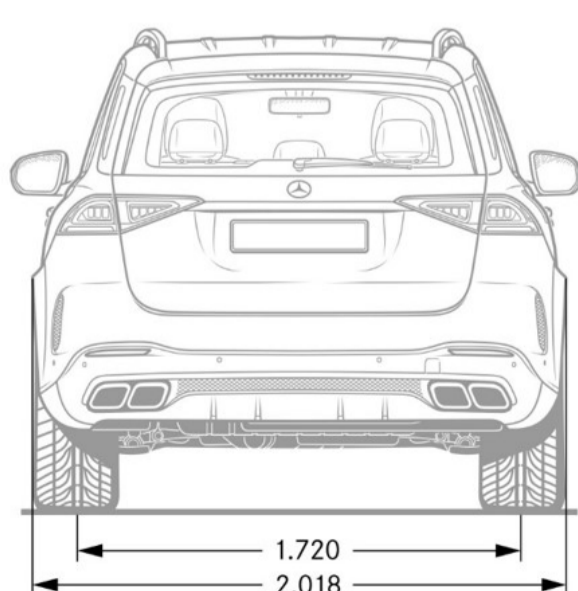
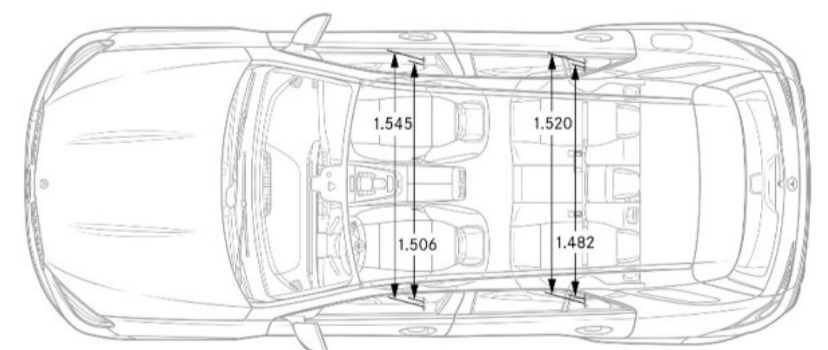
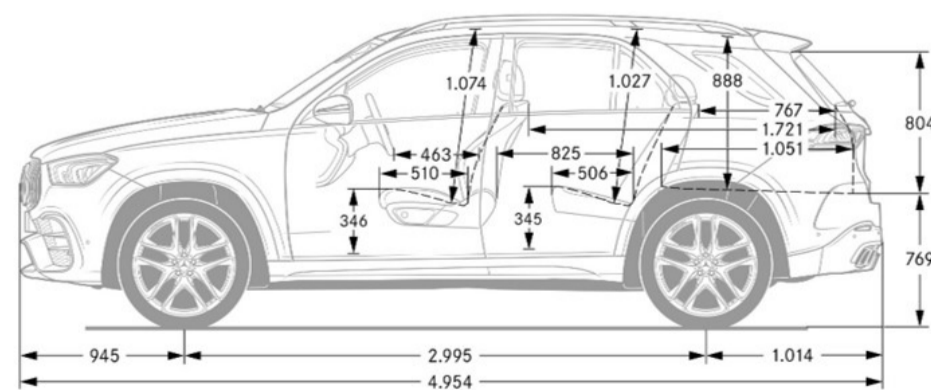
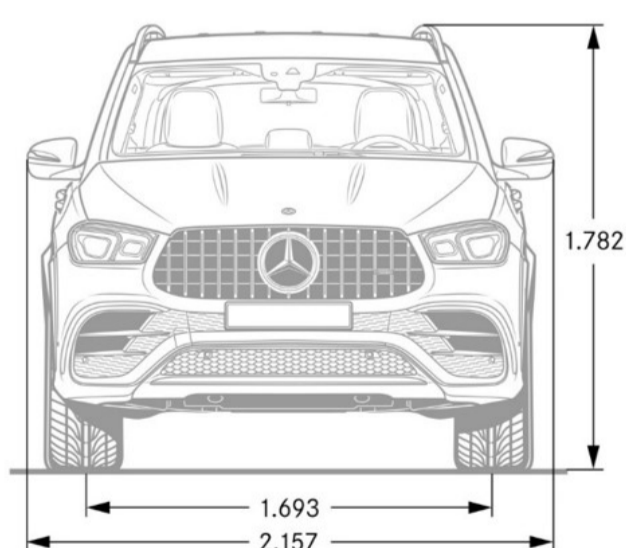
City Fuel Economy	TBD
Highway Fuel Economy	TBD
Emission Certification	TBD

Exterior Dimensions

Vehicle Length (in.)	190
Vehicle Height (in.)	70.2
Vehicle Width w/ exterior mirrors (in.)	84.9
Wheelbase (in.)	117.9
Curb Weight (lbs)	TBD
Track Width Front/Rear (in.)	66.65/67.72

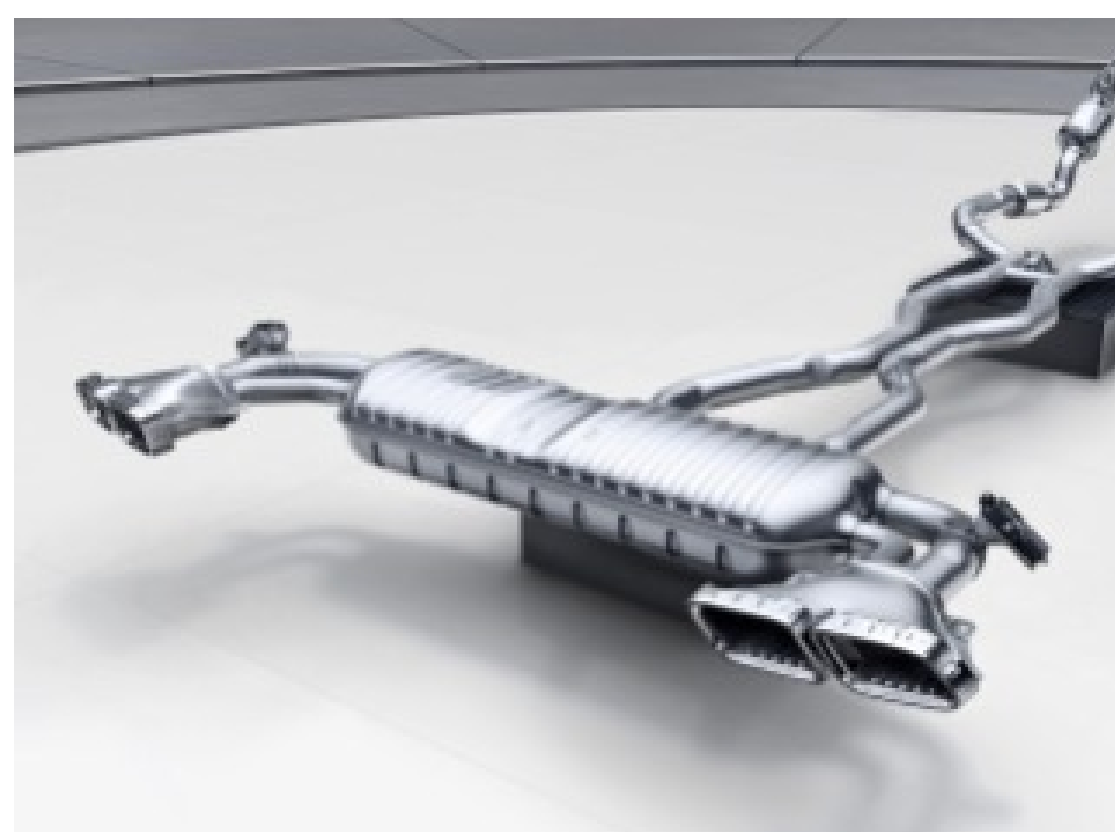
Interior Dimensions

Cargo Capacity	TBA
Trunk Size	TBA



Options In Detail

AMG Performance Exhaust System



AMG Performance Exhaust System (U78)

Option price GLE 53 : \$1,250

- Stronger differentiation of the sound characteristics by means of two additional exhaust flaps
- Sound characteristics dependent on selected drive program - clear differentiation between rich in drive programs "C" and "S" and emphatically sporty in drive programs "S+" and "Race" ("Race" mode on GLE 63 S Only)
- Additional control of the sound characteristics by means of a button in the middle control panel of the center console
- Control by means of variably adjustable exhaust flaps - without loss of power
- Control of the exhaust gas flaps is dependent on both engine speed and load, ensuring 100% power delivery
- Double declutching (in "S") and a misfire (in "S+" and "Race") emphasize the sporty characteristics of the particular drive programs ("Race" mode on GLE 63 S Only)

Steering Wheel



AMG Performance Steering Wheel in Black Nappa Leather (L6J)

- Sporty 3-spoke design with flattened lower section and perforated grip area, completely finished in black Nappa Leather with 12'o clock marking and topstitching.
- Steering wheel spokes and trim in silver chrome with 'AMG' lettering and silver colored aluminum shift paddles.



AMG Performance Steering Wheel in Nappa Leather /DINAMICA (L6K)

- Sporty 3-spoke design with flattened lower section, combined version in Nappa Leather with black DINAMICA microfiber in the grip area with 12'o clock marking and topstitching.
- Steering wheel spokes and trim in silver chrome with 'AMG' lettering and silver colored aluminum shift paddles.



AMG Performance Steering Wheel in DINAMICA (L6G)

- Includes U88 AMG Drive Unit
- Cannot be combined with 443 Heated Steering Wheel
- Sporty 3-spoke design with flattened lower section, completely finished in DINAMICA microfiber in black with 12'o clock marking and topstitching.
- Steering wheel spokes and trim in silver chrome with 'AMG' lettering and silver colored aluminum shift paddles.



AMG Performance Steering Wheel in Carbon Fiber / DINAMICA (L6H)

- **GLE 63 S only: only i.c.w. H86 Carbon Fiber Trim, H31 Natural Grain Grey Oak, or H35 designo® Black Flamed Open-Pore Ash Wood**
- Sporty 3-spoke design with flattened lower section, combined version in high-gloss carbon fiber and black DINAMICA microfiber in the grip area with 12'o clock marking and topstitching.
- Steering wheel spokes and trim in silver chrome with 'AMG' lettering and silver colored aluminum shift paddles.

U88 AMG Drive Unit steering wheel buttons

AMG Drive Unit steering wheel buttons

Standard on GLE 63 S Option Price GLE 53 : \$400



- When U88 is selected, the AMG Performance Steering Wheel is equipped with a round controller with an integral display beneath the right-hand steering wheel spoke, plus two vertically positioned color display buttons beneath the left-hand steering-wheel spoke
- The round display allows for easy adjustment of the AMG DYNAMIC SELECT Drive Mode
- The vertically-mounted displays offer a configurable hot-key to adjust two key parameters, i.e. a switch to Manual transmission mode (or to Automatic shifting) or a switch from the Comfort exhaust setting to the more emotional Sport setting
- These buttons allow the driver to concentrate fully on dynamic driving without having to take their hands off the wheel in order to change performance-oriented vehicle settings

Please note, that when equipped with 443 Heated Steering Wheel, the AMG Drive Unit Steering Wheel Buttons are unable to be equipped.

Brakes



AMG High Performance Braking System

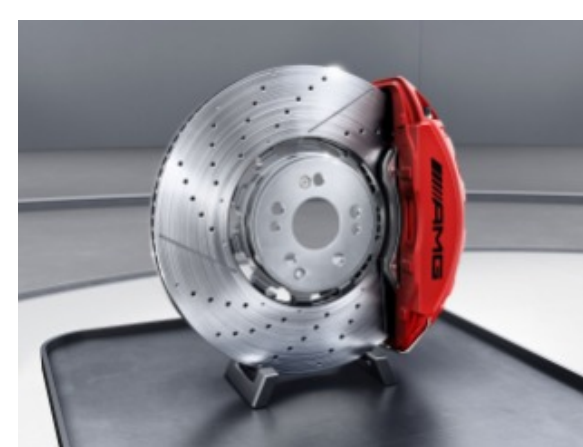
Standard on GLE 53 2-piston front and 1-piston rear calipers

- Front axle: brake disc measuring 15.75 inch, internally ventilated and perforated with 2-piston fixed caliper
- Rear axle: brake discs measuring 13.58 inch, internally ventilated, with single-piston floating caliper
- Silver-painted brake calipers with black AMG lettering

AMG High Performance Braking System (U29)

Optional on GLE 53 (n/a with RZV, RZW, RRP wheels) 6-piston front and 1-piston rear calipers

- Front axle: brake disc measuring 15.75 inch, internally ventilated and perforated with 6-piston fixed caliper
- Rear axle: brake discs measuring 14.57 inch, internally ventilated, with single-piston floating caliper
- Silver-painted brake calipers with white AMG lettering



AMG High-Performance Composite Braking System (U70)

Standard on GLE 63 S

Gallery