

2023 GLE Coupe Order Guide



Table of Contents

1	General Information
2	What's New
3	Models
4	Equipment
4.1	Standard Equipment
4.2	Exterior Paint Colors
4.3	Wheels
4.4	Interior Upholstery
4.6	Interior Trims
4.7	Packages
4.8	Options
4.9	Specifications
5	Options In Detail
6	Gallery

General Information

Important Note

The information presented in this guide is based on the most current information available and is intended for internal use only. Mercedes-Benz reserves the right to make changes at any time, without notice, to colors, materials, equipment, special specifications and models.

Pricing may not yet be finalized for some models or options.

Due to variances among monitors and printers the colors that appear on your screen and printouts may not be exact.

For illustrative purposes, some images may show vehicles with European Specification.

Revision History

Date	Description
06/01/2022	MY23 GLE53C4 DOG published

What's New

Exterior

- 890 Lunar Blue Metallic no longer available
- Metallic paint now standard on GLE53C4

Packages

- DC6 Burmester High-End Surround Sound System Package no longer available

Models



GLE53C4 (167.361)

- MSRP: TBD
- Transmission: AMG SPEEDSHIFT TCT 9-speed automatic transmission
- Acceleration 0-60pmg (sec): 5.2
- Engine Configuration: AMG-Enhanced 3.0L I6 Turbo Engine
- ICE Power (hp): 429 hp
- Torque (lb-ft): 384 lb-ft
- Launch Date: TBD



GLE63C4S (167.389)

- MSRP: TBD
- Transmission: AMG SPEEDSHIFT TCT 9-speed automatic transmission
- Acceleration 0-60pmg (sec): 3.7
- Engine Configuration: Handcrafted AMG 4.0L V8 Bi-Turbo Engine
- ICE Power (hp): 603 hp
- Torque (lb-ft): 627 lb-ft
- Launch Date: TBD

Standard Equipment

GLE53C4



Performance & Handling

- AMG SPEEDSHIFT TCT 9-speed automatic transmission
- EQ Boost Starter-Alternator
- AMG Performance 4MATIC+® all-wheel drive
- Adaptive Damping Plus
- AMG-Enhanced 3.0L I6 Turbo engine
- AMG DYNAMIC SELECT
- AMG RIDE CONTROL+ Suspension based on AIRMATIC
- 21" AMG Wheels

Comfort & Convenience

- KEYLESS-START
- Panorama Roof
- AMG Performance Steering wheels with touch controllers
- MBUX User Interface
- 12.3" Media Display with touchscreen
- Apple CarPlay and Android Auto
- NFC Wireless Charging
- Active Parking Assist
- Power Front Seats with 4-Way Lumbar Support and Driver Memory
- Garage Door Opener
- Power Lift gate
- Privacy Glass
- HANDS-FREE-ACCESS
- 64 Color Ambient Lighting
- Burmester® Surround Sound System
- Remote Start
- Active LED headlamps with Adaptive Highbeam Assist
- Touchpad in center console
- 12.3" fully digital instrument cluster
- Smartphone Integration
- 5 USBs (3 in front, 2 in rear)
- MB Navigation with Live Traffic and Map Updates for 3 years
- Heated Front Seats
- 2-Zone Climate control
- Load Compartment Cover
- Double Sun Visors
- Power Folding Mirrors, Auto-dimming Driver and Rearview Mirrors, Mirror Logo Projector
- KEYLESS-GO®
- 115V Power Outlet
- Mercedes Me Connect

Safety & Security

- Blind Spot Assist
- Rear View Camera
- Active Brake Assist
- Anti-Theft Alarm System
- Power folding Mirrors, Auto-dimming Driver and Rearview Mirrors
- ATTENTION ASSIST®
- PRE-SAFE®
- eCall-Emergency System
- Active Lane Keeping Assist

Performance & Handling

- AMG SPEEDSHIFT TCT 9-speed automatic transmission
- EQ Boost Starter-Alternator
- AMG Performance 4MATIC+® all-wheel drive
- Adaptive Damping Plus
- Active Dynamic Engine Mounts
- Active Curve System
- Handcrafted AMG 4.0L V8 biturbo engine
- AMG DYNAMIC SELECT
- AMG ACTIVE RIDE CONTROL based on AMG RIDE CONTROL+
- 21" AMG Wheels with High-Performance Summer Tires
- Electronic Locking Differential
- AMG High-Performance Braking System

Comfort & Convenience

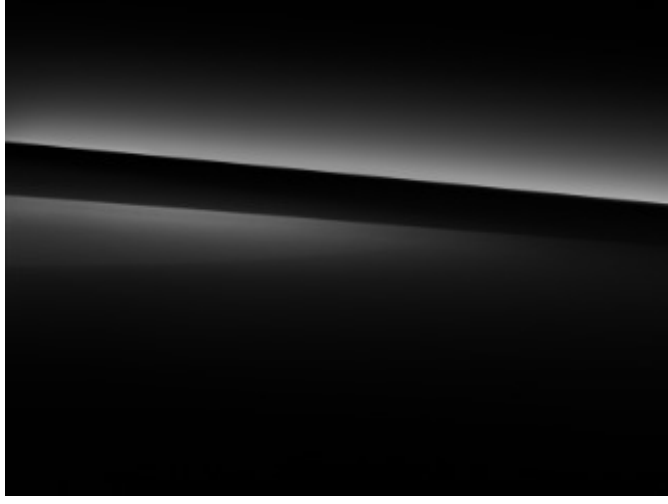
- KEYLESS-START
- Panorama Roof
- KEYLESS-GO®
- Touchpad in center console
- HANDS-FREE-ACCESS
- 12.3" fully digital instrument cluster
- Smartphone Integration
- NFC Wireless Charging
- Active Parking Assist
- Power Front Seats with 4-Way Lumbar Support and Driver Memory
- Garage Door Opener
- Power Lift gate
- Double Sun Visors
- Mirror Package (Power Folding Mirrors, Auto-dimming Driver and Rearview Mirrors, Mirror Logo Projector)
- 64 Color Ambient Lighting
- Burmester® Surround Sound System
- Remote Start
- Active LED headlamps with Adaptive Highbeam Assist
- AMG Performance Steering wheels with touch controllers
- MBUX User Interface
- 5 USBs (3 in front, 2 in rear)
- 12.3" Media Display with touchscreen
- Apple CarPlay and Android Auto
- MB Navigation with Live Traffic and Map Updates for 3 years
- Heated and Ventilated Front Seats
- 2-Zone Climate control
- Load Compartment Cover
- Spare tire
- Privacy Glass
- Roof rails
- 115V Power Outlet
- SiriusXM Radio

Safety & Security

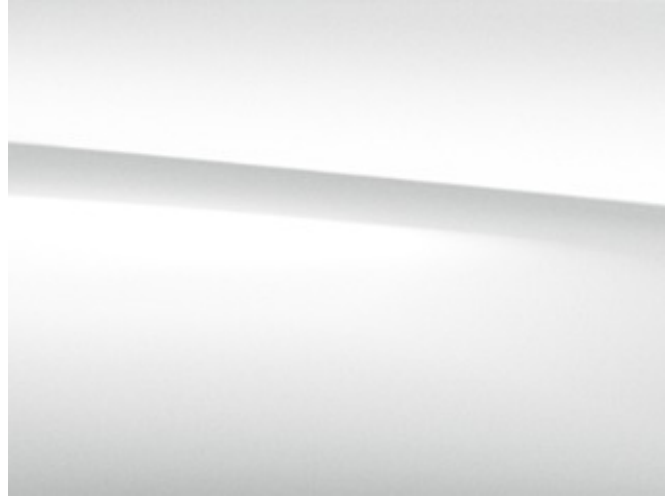
- Blind Spot Assist
- Surround View System
- Active Brake Assist
- Anti-Theft Alarm System
- Power folding Mirrors, Auto-dimming Driver and Rearview Mirrors
- ATTENTION ASSIST®
- PRE-SAFE®
- eCall-Emergency System
- Active Lane Keeping Assist

Paint

Non-Metallic Paints

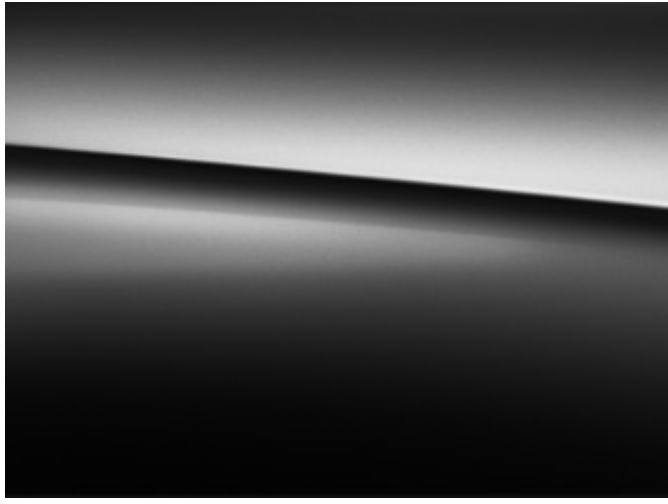


040 - Black

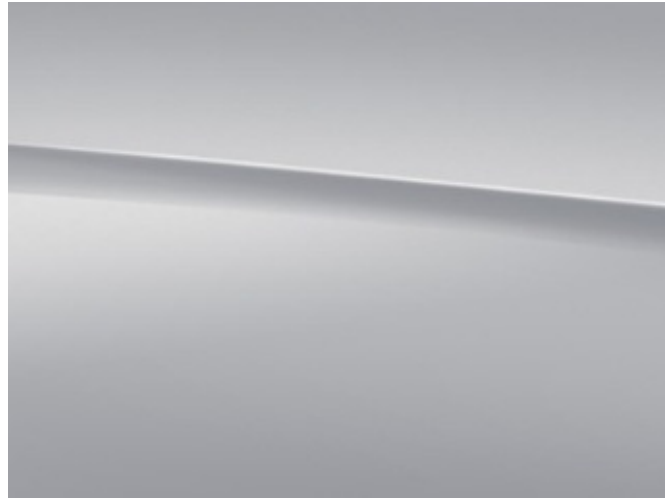


149 - Polar White

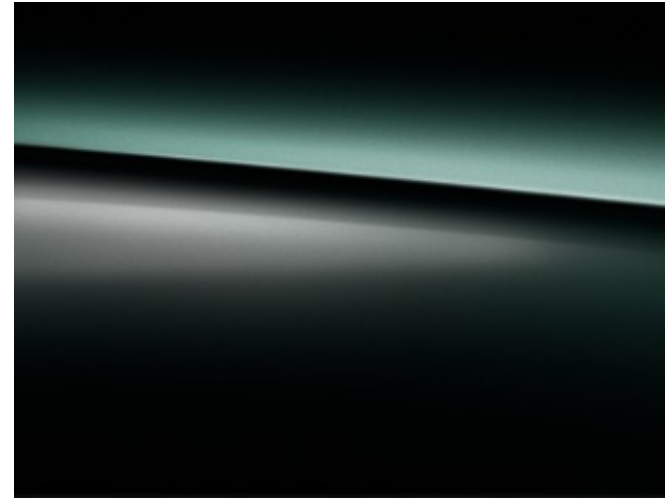
Metallic Paints



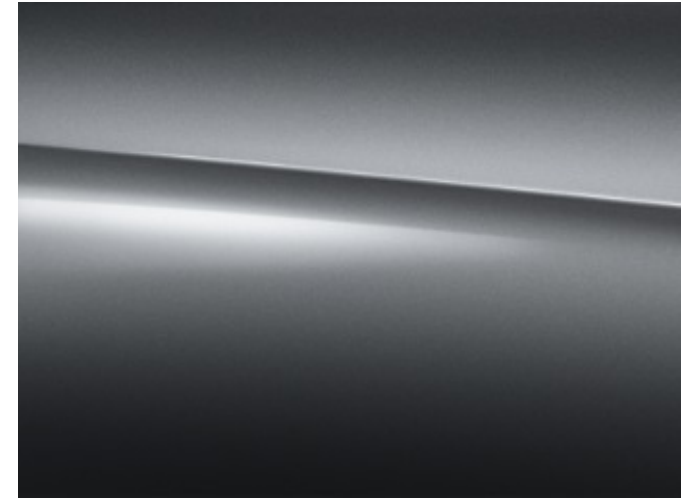
197 - Obsidian Black



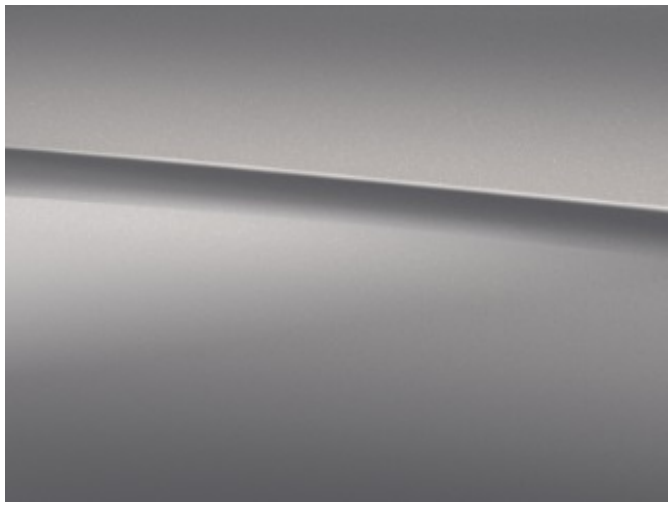
922 - Cirrus Silver



989 - Emerald Green



992 - Selenite Grey



859 - Mojave Silver

MANUFAKTUR Paints



799 - Diamond White Metallic



996 - Cardinal Red Metallic

<i>Code</i>	<i>Description</i>	<i>Availability</i>	<i>Price</i>
040	Black	All Models	\$0
149	Polar White	All Models	\$0
197	Obsidian Black	All Models	\$0
922	Cirrus Silver	All Models	\$0
989	Emerald Green	All Models	\$0
992	Selenite Grey	All Models	\$0
859	Mojave Silver	All Models	\$0
799	Diamond White Metallic	GLE53C4	\$0
996	Cardinal Red Metallic	GLE53C4	\$0

Wheels



RWD - 21" AMG Twin 5-Spoke Wheels
Standard on GLE 63 S
21"
R02, 669
AMG Twin 5-Spoke Wheel
275/45 R 21 on 10 J x 21 ET51 (Front) 315/40 R 21 on 11 J x 21 ET47 (Rear)



RWE - 21" AMG Twin 5-Spoke Wheels with Black Accents
21"
R02, 669
AMG Twin 5-Spoke Wheel, Matte Black
275/45 R 21 on 10 J x 21 ET51 (Front) 315/40 R 21 on 11 J x 21 ET47 (Rear)



RXU - 22" AMG Cross-Spoke Forged Wheels
22"
R01, 669
AMG Cross-Spoke Wheel
285/40 R 22 on 10 J x 22 ET55 (Front) 325/35 R 22 on 11 J x 22 ET53 (Rear)



RXV - 22" AMG Cross-Spoke Forged Wheels, Matte Black
22"
R01, 669
AMG Cross-Spoke Wheel, Matte Black
285/40 R 22 on 10 J x 22 ET56 (Front) 325/35 R 22 on 11 J x 22 ET52 (Rear)

Code	Wheel Size	Description	Wheel Dimensions	Mobility	Availability	MSRP
RWD	21"	AMG Twin 5-Spoke Wheel Standard on GLE 63 S	275/45 R 21 on 10 J x 21 ET51 (Front) 315/40 R 21 on 11 J x 21 ET47 (Rear)	R02, 669	All Models	\$0
RWE	21"	AMG Twin 5-Spoke Wheel, Matte Black	275/45 R 21 on 10 J x 21 ET51 (Front) 315/40 R 21 on 11 J x 21 ET47 (Rear)	R02, 669	All Models	\$0
RXU	22"	AMG Cross-Spoke Wheel	285/40 R 22 on 10 J x 22 ET55 (Front) 325/35 R 22 on 11 J x 22 ET53 (Rear)	R01, 669	All Models	\$0
RXV	22"	AMG Cross-Spoke Wheel, Matte Black	285/40 R 22 on 10 J x 22 ET56 (Front) 325/35 R 22 on 11 J x 22 ET52 (Rear)	R01, 669	All Models	\$0

GLE53C4 Notes: R01: High Performance Tires R02: All-Season Tires 669: Collapsible Spare Tire B51: TIREFIT
GLE63C4S Notes: R01: High Performance Tires R02: All-Season Tires 669: Collapsible Spare Tire B51: TIREFIT

Upholstery

MB Tex



651 - Black w/ Red Contrast Topstitching

Contains Y05 Red Seatbelts and U08 MB-Tex Upper Dash

Nappa Leather



851 - Black

Requires U09 MB-Tex Dashboard and Door Panels



854 - Tartufo Brown / Black

Requires U09 MB-Tex Dashboard and Door Panels



857 - Classic Red / Black

Requires U09 MB-Tex Dashboard and Door Panels

Exclusive Nappa Leather



551 - Black

Includes U38 Nappa Leather Dashboard and Door Panels



554 - Tartufo Brown / Black

Includes U38 Nappa Leather Dashboard and Door Panels



557 - Classic Red / Black

Includes U38 Nappa Leather Dashboard and Door Panels



561 - Black with Diamond Stitching

Includes U38 Nappa Leather Dashboard and Door Panels



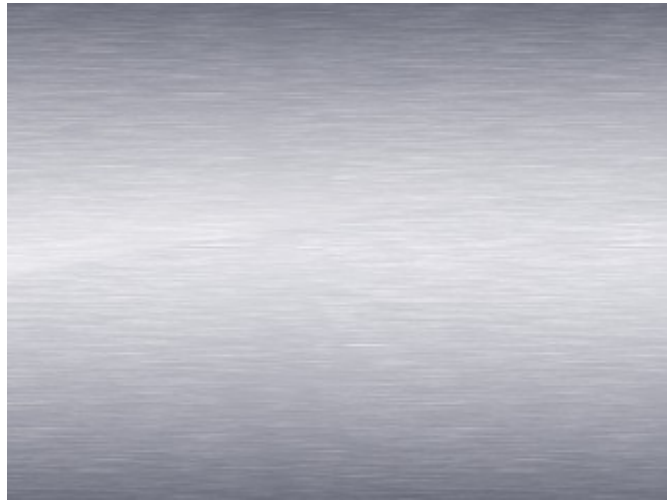
571 - Black with Grey Accents

Includes U38 Nappa Leather Dashboard and Door Panels

<i>Code</i>	<i>Description</i>	<i>Availability</i>	<i>Price</i>
651	Black w/ Red Contrast Topstitching Contains Y05 Red Seatbelts and U08 MB-TeX Upper Dash	GLE53C4	\$0
851	Black Requires U09 MB-TeX Dashboard and Door Panels	GLE53C4	\$0
854	Tartufo Brown / Black Requires U09 MB-TeX Dashboard and Door Panels	GLE53C4	\$0
857	Classic Red / Black Requires U09 MB-TeX Dashboard and Door Panels	GLE53C4	\$0
551	Black Includes U38 Nappa Leather Dashboard and Door Panels	All Models	\$0
554	Tartufo Brown / Black Includes U38 Nappa Leather Dashboard and Door Panels	All Models	\$0
557	Classic Red / Black Includes U38 Nappa Leather Dashboard and Door Panels	All Models	\$0
561	Black with Diamond Stitching Includes U38 Nappa Leather Dashboard and Door Panels	All Models	\$0 (GLE53C4) \$250 (GLE63C4S)
571	Black with Grey Accents Includes U38 Nappa Leather Dashboard and Door Panels	GLE63C4S	\$0

<i>Code</i>	<i>Upholstery</i>	<i>Seats</i>	<i>Floor Mats</i>	<i>Upper Dash/Lower Dash</i>	<i>Seat Belts</i>	<i>Steering Wheel</i>	<i>Headliner</i>
651	Black w/ Red Contrast Topstitching Contains Y05 Red Seatbelts and U08 MB-TeX Upper Dash	Black	Black	Black/Black	Red	Black	Black
851	Black Requires U09 MB-TeX Dashboard and Door Panels	Black	Black	Black/Black	Black	Black	Black
854	Tartufo Brown / Black Requires U09 MB-TeX Dashboard and Door Panels	Tartufo Brown/Black	Black	Black/Black	Black	Black	Black
857	Classic Red / Black Requires U09 MB-TeX Dashboard and Door Panels	Classic Red/Black	Black	Black/Black	Black	Black	Black
551	Black Includes U38 Nappa Leather Dashboard and Door Panels	Black	Black	Black/Black	Black	Black	Black
554	Tartufo Brown / Black Includes U38 Nappa Leather Dashboard and Door Panels	Tartufo Brown/Black	Black	Black/Black	Black	Black	Black
557	Classic Red / Black Includes U38 Nappa Leather Dashboard and Door Panels	Classic Red/Black	Black	Black/Black	Black	Black	Black
561	Black with Diamond Stitching Includes U38 Nappa Leather Dashboard and Door Panels	Black	Black	Black/Black	Black	Black	Black
571	Black with Grey Accents Includes U38 Nappa Leather Dashboard and Door Panels	Black	Black	Black/ Black	Magma Grey	Black	Black

Trims



H46 - Brushed Aluminum



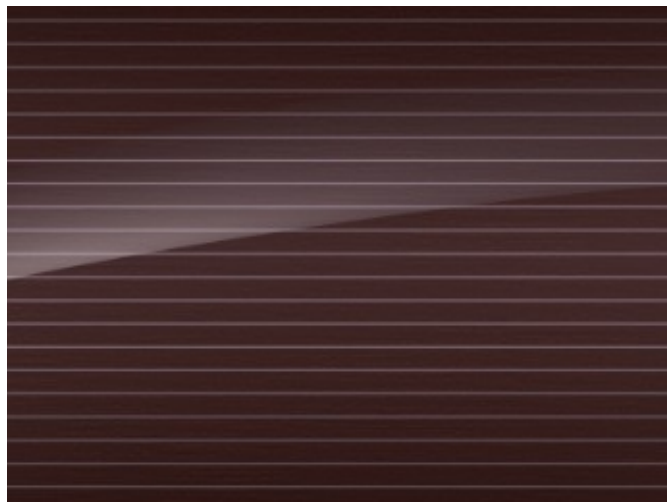
H18 - Dark Grey Linden Wood



H22 - Natural Grain Brown Walnut



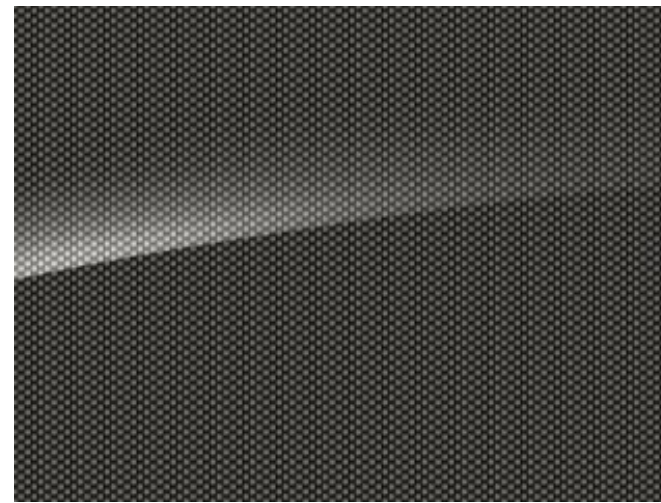
H31 - Natural Grain Grey Oak



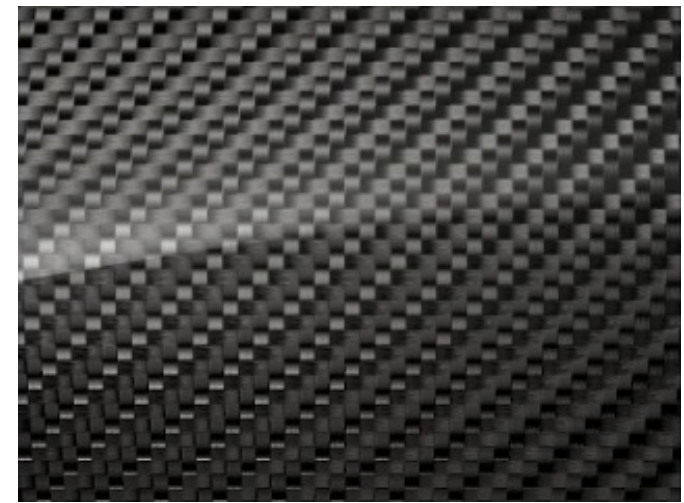
H34 - MANUFAKTUR Brown Linden Wood Flowing Lines



H35 - MANUFAKTUR Natural Grain Black Wood



H64 - Metal Weave



H86 - AMG Carbon Fiber

<i>Code</i>	<i>Description</i>	<i>Availability</i>	<i>Price</i>
H46	Brushed Aluminum	All Models	\$0
H18	Dark Grey Linden Wood	All Models	\$0
H22	Natural Grain Brown Walnut	All Models	\$0
H31	Natural Grain Grey Oak	All Models	\$0
H34	MANUFAKTUR Brown Linden Wood Flowing Lines	All Models	\$0
H35	MANUFAKTUR Natural Grain Black Wood	All Models	\$0
H64	Metal Weave	All Models	\$0
H86	AMG Carbon Fiber	All Models	\$0

Packages

<i>Code</i>	<i>Packages</i>	<i>Availability</i>	<i>MSRP</i>
DA2PKG	<p>Driver Assistance Package PLUS Requires Parking Assist Package (DA3PKG), Leather upholstery</p> <ul style="list-style-type: none"> ■ P20 - Driver Assistance Package PLUS <ul style="list-style-type: none"> ○ Active Lane Keeping Assist ○ 233 - Active Distance Assist DISTRONIC® ○ Active Blind Spot Assist ○ Active Stop-and-Go Assist ○ Active Lane Change Assist ○ 266 - Active Steering Assist ○ Active Emergency Stop Assist ○ Route-Based Speed Adaptation ○ Active Brake Assist with Cross-Traffic Function ○ 546 - Active Speed Limit Assist ○ Evasive Steering Assist ○ 253 - PRE-SAFE® PLUS Rear End Collision Protection ○ 513 - Traffic Sign Assist 	All Models	\$0
DA3PKG	<p>Parking Assistance Package</p> <ul style="list-style-type: none"> ■ P47 - Parking Assist code <ul style="list-style-type: none"> ○ 501 - Surround View System 	GLE53C4	\$0
DB0PKG	<p>Warmth and Comfort Package</p> <ul style="list-style-type: none"> ■ P68 - Warmth and Comfort Package code <ul style="list-style-type: none"> ○ 906 - Heated Armrest ○ 902 - Rapid Heating Functionality for Front Seats 	All Models	\$0
DC1PKG	<p>AMG Night Package</p> <ul style="list-style-type: none"> ■ P60 - Night Package Code <ul style="list-style-type: none"> ○ Includes Trim on A-wing, Trim on rear apron, Tailpipes, Front Splitter, Window Frames in High-Gloss Black ○ WCO1 - Wheel Choice Of: <ul style="list-style-type: none"> ○ RXV - 22" AMG Cross-Spoke, Matte Black ○ RWE - 21" AMG Twin 5-Spoke, Matte Black 	All Models	\$0
DC5PKG	<p>Acoustic Comfort Package</p> <ul style="list-style-type: none"> ■ PAF - Acoustic Comfort Code <ul style="list-style-type: none"> ○ Increased Cabin Insulation, Windshield with Infrared-Reflecting film, Side Windows with Acoustic ○ Infrared Absorbing Film 	All Models	\$0
DE6PKG	<p>AMG DYNAMIC PLUS Package</p> <ul style="list-style-type: none"> ■ 256 - AMG TRACK PACE ■ U70 - AMG High Performance Braking System with Red Painted Brake Calipers ■ 465 - AMG ACTIVE RIDE CONTROL Suspension based on AMG RIDE CONTROL+ (Including eActive Roll Stabilization) ■ L6G - AMG Performance Steering Wheel in Microfiber ■ U88 - AMG DRIVE Unit 	GLE53C4	\$0

Options

Factory Options

<i>Code</i>	<i>Options</i>	<i>Availability</i>	<i>MSRP</i>
L6G	AMG Performance Steering Wheel in Microfiber (requires U88 AMG Drive Unit, n/a with 443 Heated Steering Wheel)	All Models	\$0
L6J	AMG Performance Steering Wheel in Nappa Leather	All Models	\$0
L6K	AMG Performance Steering Wheel in Nappa Leather/Microfiber	All Models	\$0
P21	Air Balance Package	All Models	\$0
U09	MB-Tex Dashboard and Door Panels	GLE53C4	\$0
U17	Omission of Color Seatbelts	All Models	\$0
U19	Augmented Video	All Models	\$0
U29	AMG High-Performance Braking System (n/a with RZV or RZW wheels)	GLE53C4	\$0
U78	AMG Performance Exhaust System	GLE53C4	\$0
U88	AMG Drive Unit (not available with 443 Heated Steering Wheel)	GLE53C4	\$0
Y05	Red Seatbelts (only avail w 651, 851, or 551 upholsteries)	All Models	\$0
256	AMG Track Pace	GLE53C4	\$0
293	Rear Side Airbags	All Models	\$0
311	Heated and Cooled Cupholders	GLE53C4	\$0
399	Multicontour Front Seats with Massage	All Models	\$0
401	Heated and Ventilated Front Seats (n/a with 651 upholstery)	GLE53C4	\$0
443	Heated Steering Wheel (not available with U88 AMG Drive Unit or DE6 AMG DYNAMIC PLUS Package)	All Models	\$0
463	HEAD UP DISPLAY (HUD)	All Models	\$0
550	Trailer Hitch	GLE63C4S	\$0
581	4-Zone Climate Control	All Models	\$0
61U	Black Microfiber Headliner	GLE53C4	\$0
77B	Interior Assistant (not available with DC6 Burmester High End Surround Sound Package System)	All Models	\$0
846	Brushed aluminum illuminated running boards	All Models	\$0
872	Heated Rear Seats	All Models	\$0
875	Heated Windshield Washer System	GLE53C4	\$0
883	Soft Close Doors	All Models	\$0
902	Rapid Seat Heating	All Models	\$0
B07	AMG High-Performance Carbon Ceramic Braking System	GLE63C4S	
B14	Carbon Fiber Engine Cover	GLE63C4S	
L6H	AMG Performance Steering Wheel in Carbon Fiber/ Microfiber (only available with H31 and H86 trims)	GLE63C4S	
Y04	Silver Seatbelts	GLE63C4S	\$0

VPC Installed Options

<i>Code</i>	<i>Options</i>	<i>Availability</i>	<i>MSRP</i>
D03	Illuminated Star (n/a with DA2 Drivers Assistance Package)	All Models	\$500
D07	Wheel Locking Bolts	All Models	\$150
D08	Chrome Door Handle Inserts	All Models	\$100
D43	All Season Floor Mats	All Models	\$160
D49	First Aid Kit	All Models	\$35
D26	Chrome Load Sill Guard	GLE63C4S	\$175

Specifications

GLE53C4



Chassis

Drivetrain

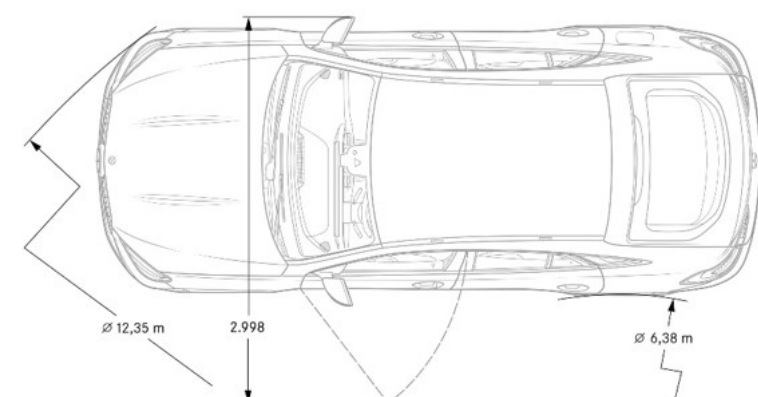
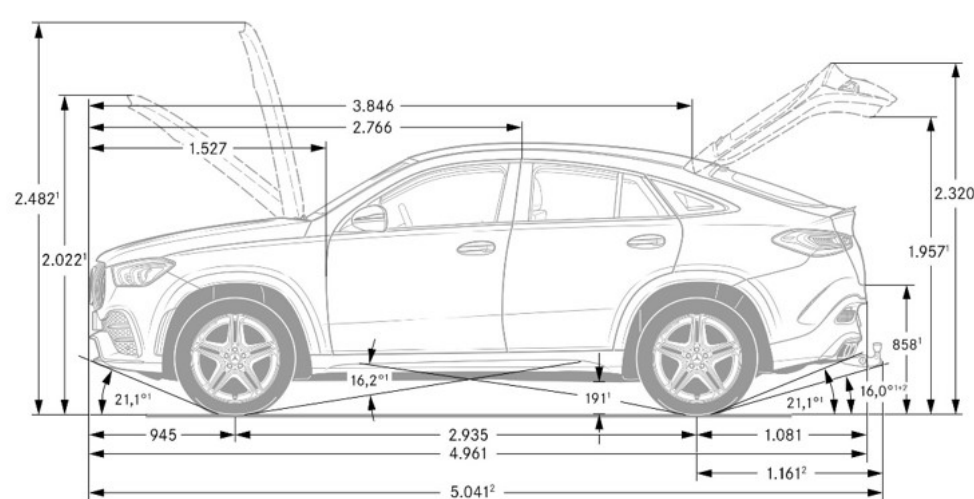
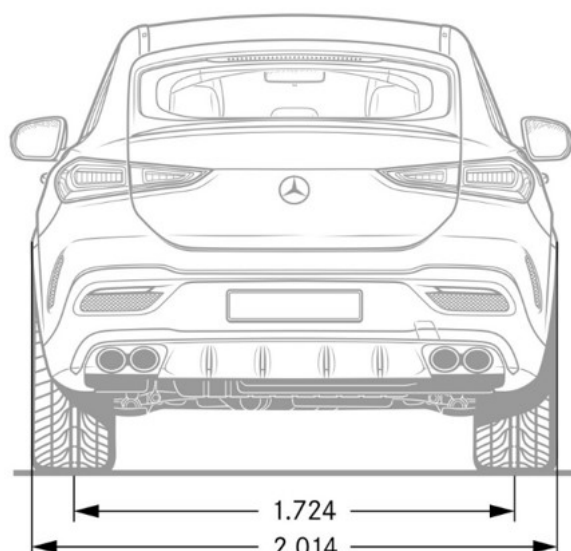
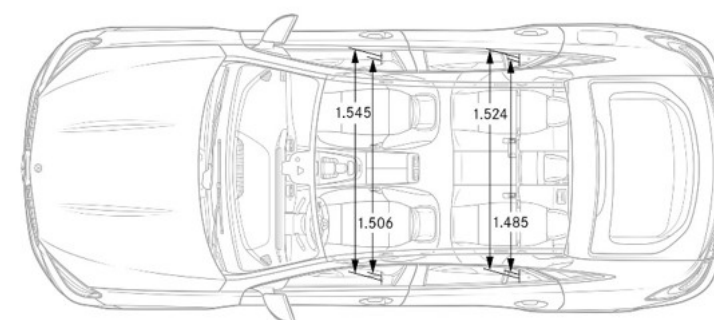
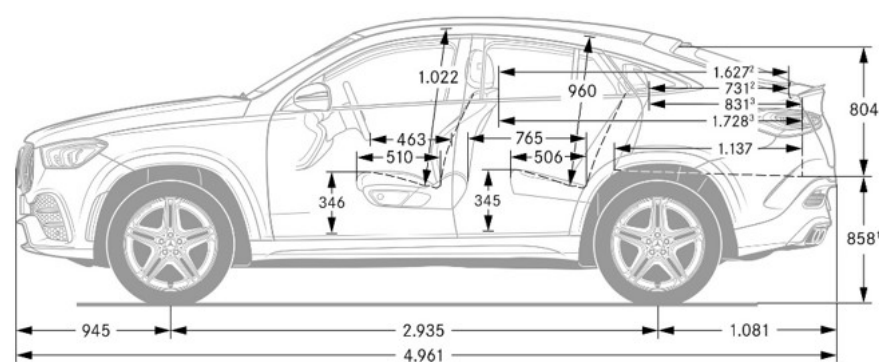
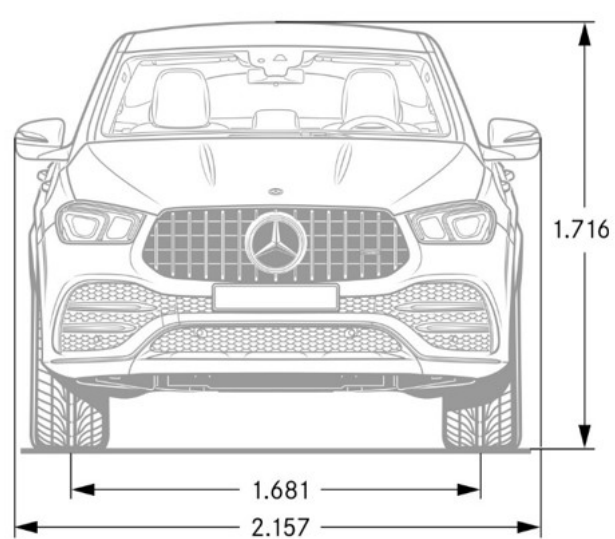
Transmission	AMG SPEEDSHIFT TCT 9-speed automatic transmission
Drive Configuration	All-wheel drive

Engine

Engine Configuration	AMG-Enhanced 3.0L I6 Turbo Engine
ICE Power (hp)	429 hp
Torque (lb-ft)	384 lb-ft
Compression Ratio	10.5 : 1
Fuel Requirement (Octane)	91
Fuel Tank Size (gallons)	22.5
Displacement (cc)	2,999

Performance

Acceleration 0-60pmg (sec)	5.2
Top Speed (mph)	155(icw R01)
Transmission Speeds	9
Electric Motor (hp), System Output (hp)	21
Electric Motor (lb-ft), System Torque (lb-ft)	184
Maximum Load (lbs)	TBD
Towing Capacity (lbs)	7,700



Chassis

Drivetrain

Transmission	AMG SPEEDSHIFT TCT 9-speed automatic transmission
Drive Configuration	All-wheel drive

Engine

Engine Configuration	Handcrafted AMG 4.0L V8 Bi-Turbo Engine
ICE Power (hp)	603 hp
Torque (lb-ft)	627 lb-ft
Compression Ratio	10.5 : 1
Fuel Requirement (Octane)	91
Fuel Tank Size (gallons)	22.5
Displacement (cc)	3,982

Performance

Acceleration 0-60pmg (sec)	3.7
Top Speed (mph)	174
Transmission Speeds	9
Electric Motor (hp), System Output (hp)	21
Electric Motor (lb-ft), System Torque (lb-ft)	184
Maximum Load (lbs)	TBD
Towing Capacity (lbs)	7,700

Fuel Economy

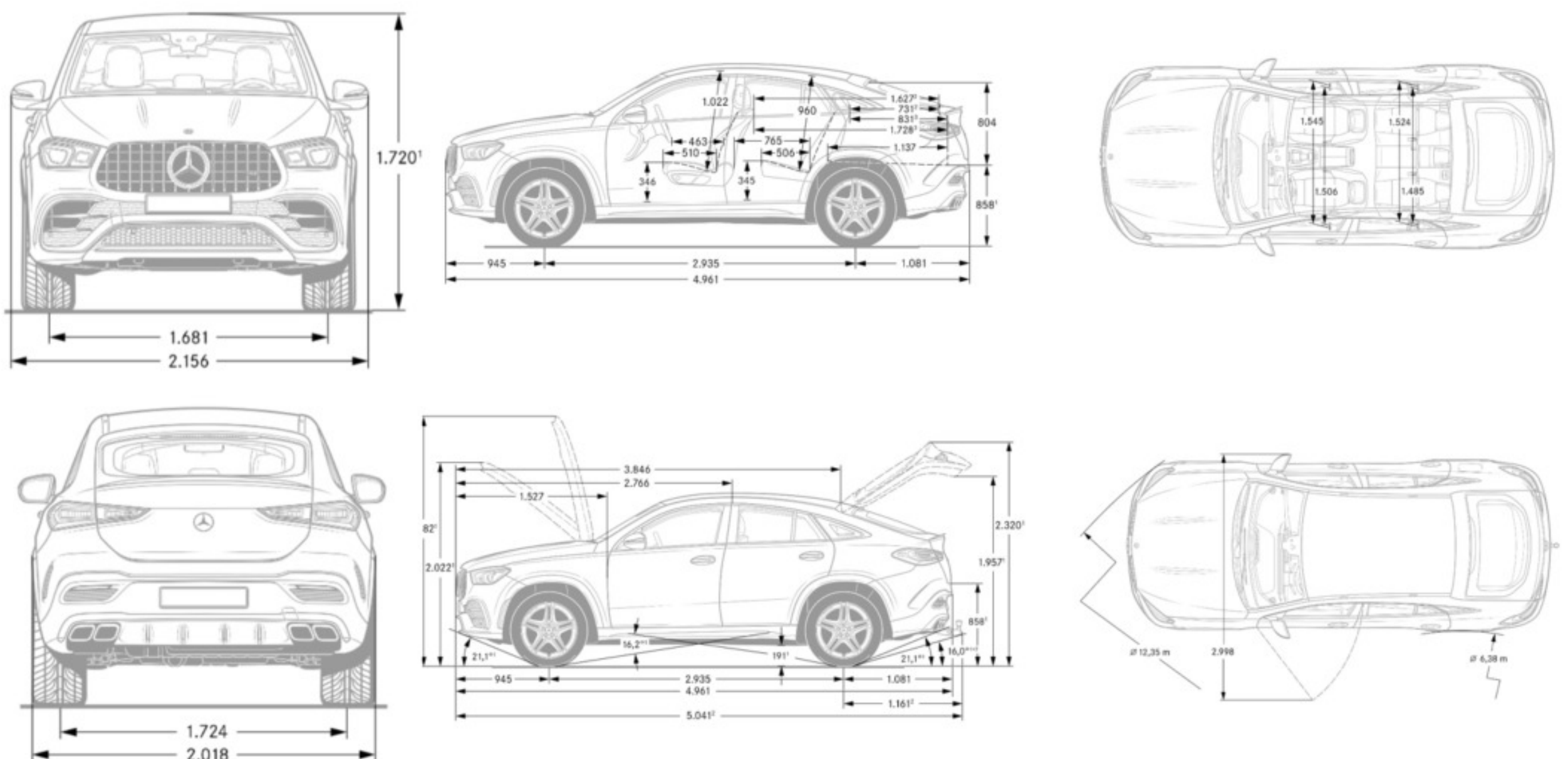
City Fuel Economy	TBD
Highway Fuel Economy	TBD
Emission Certification	TBD

Exterior Dimensions

Vehicle Length (in.)	195.3
Vehicle Height (in.)	67.7
Vehicle Width w/ exterior mirrors (in.)	84.9
Wheelbase (in.)	115.5
Curb Weight (lbs)	TBD
Track Width Front/Rear (in.)	66.65/67.72

Interior Dimensions

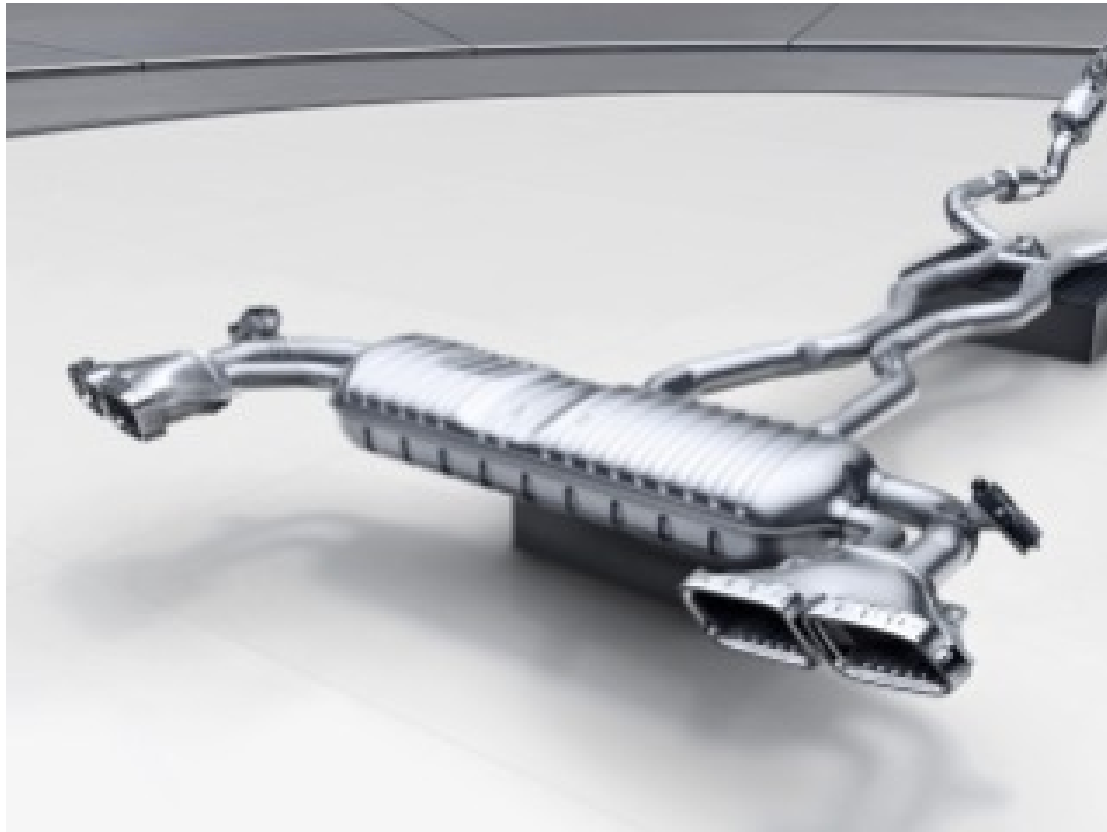
Cargo Capacity	TBA
Trunk Size	TBA



Options In Detail

AMG Performance Exhaust System

AMG Performance Exhaust System (U78)



Option price GLE 53 : \$1,250

- Stronger differentiation of the sound characteristics by means of two additional exhaust flaps
- Sound characteristics dependent on selected drive program - clear differentiation between rich in drive programs "C" and "S" and emphatically sporty in drive programs "S+" and "Race" ("Race" mode on GLE 63 S Only)
- Additional control of the sound characteristics by means of a button in the middle control panel of the center console
- Control by means of variably adjustable exhaust flaps - without loss of power
- Control of the exhaust gas flaps is dependent on both engine speed and load, ensuring 100% power delivery
- Double declutching (in "S") and a misfire (in "S+" and "Race") emphasize the sporty characteristics of the particular drive programs ("Race" mode on GLE 63 S Only)

U88 AMG Drive Unit steering wheel buttons

AMG Drive Unit steering wheel buttons

Standard on GLE 63 S Option Price GLE 53 : \$400



- When U88 is selected, the AMG Performance Steering Wheel is equipped with a round controller with an integral display beneath the right-hand steering wheel spoke, plus two vertically positioned color display buttons beneath the left-hand steering-wheel spoke
- The round display allows for easy adjustment of the AMG DYNAMIC SELECT Drive Mode
- The vertically-mounted displays offer a configurable hot-key to adjust two key parameters, i.e. a switch to Manual transmission mode (or to Automatic shifting) or a switch from the Comfort exhaust setting to the more emotional Sport setting
- These buttons allow the driver to concentrate fully on dynamic driving without having to take their hands off the wheel in order to change performance-oriented vehicle settings

Please note, that when equipped with 443 Heated Steering Wheel, the AMG Drive Unit Steering Wheel Buttons are unable to be equipped.

Gallery