



Table of Contents

| | |
|-----|---------------------------------------|
| 1 | General Information |
| 2 | What's New |
| 3 | Models |
| 4 | Equipment |
| 4.1 | Standard Equipment |
| 4.2 | Exterior Paint Colors |
| 4.3 | Wheels |
| 4.4 | Interior Upholstery |
| 4.6 | Interior Trims |
| 4.7 | Packages |
| 4.8 | Options |
| 4.9 | Specifications |
| 5 | Options In Detail |
| 6 | Gallery |

General Information

Important Note

The information presented in this guide is based on the most current information available and is intended for internal use only. Mercedes-Benz reserves the right to make changes at any time, without notice, to colors, materials, equipment, special specifications and models.

Pricing may not yet be finalized for some models or options.

Due to variances among monitors and printers the colors that appear on your screen and printouts may not be exact.

For illustrative purposes, some images may show vehicles with European Specification.

Revision History

| Date | Description |
|------------|--|
| 05/23/2023 | AMG GLE 53 Winter Package (PAV) required content for all builds through July production. |
| 05/22/2023 | GLE 53 & 63 Wheel availability updated RZW , RWD , RWE |
| 05/02/2023 | PAV Package price updated for GLE53 |
| 03/23/2023 | AMG Option 6U6 AMG fuel cap - Is currently delayed |
| 03/09/2023 | Black (040), Twilight Blue (842), Cirrus Silver (922), & MANUFAKTUR Cardinal Red (996) are delayed until May production. Emerald Green (989) & MANUFAKTUR Diamond White (799) are delayed until June production. |
| 03/07/2023 | MY24 GLE53C4 & GLE63C4S DOG published. |

What's New

Standard Equipment

- **New Headlight and Taillight design**
- **Front Air Vents now in chrome finish**
- **Latest Generation Steering Wheel with capacitive controls**
- **Updated Burmester Surround Sound System w/ Dolby Atmos, Sound Personalization, and Online Music Streaming (810+22U+32U)**
- **Surround View System (P47) with Transparent Hood feature (04U)**
- **New Front Bumper and Grille Design**
- **Latest generation Mercedes-Benz User Experience (MBUX) - NTG7**
- **Guard 360° Protection Picture Taking Functionality (P82)**
- **AMG Crest on Engine Hood**

Optional Equipment

- **New offering structure with Exclusive Trim, and Pinnacle Trim**
- **DE6 AMG DYNAMIC PLUS Package is no longer available, option 465 AMG ACTIVE RIDE CONTROL is now offered as a stand alone. Code U70 - AMG High Performance Braking System with Red Painted Brake Calipers only available on the GLE63**
- **115V AC Power Outlet (U80) is replaced with Two 100W USB-C ports in the rear (U82)**

Paints

- **Twilight Blue Metallic (842)**
- **MANUFAKTUR Alpine Grey (956)**

Upholstery

- **Bahia Brown replaces Espresso Brown**
- **Macchiato Beige with Black Interior (555)**

Trim

- **MANUFAKTUR Brown Linden Wood Flowing Lines (H34) & MANUFAKTUR Natural Grain Black Wood (H35) trims are no longer available**
- **MANUFAKTUR Piano Lacquer Flowing Lines (H11) is now available**
- **Brown Linden Wood (04H) replaces Grey Linden Wood (H18)**

GLE53C4 New Standard Equipment

- **Nappa Leather**
- **AMG Performance Exhaust System (U78)**
- **Exterior Lighting Package w/ LED intelligent Light system (640)**
- **Augmented Video for Navigation (U19)**
- **Ventilated Front Seats (401)**

GLE63C4S New Standard Equipment

- **Air Balance Package (P21)**
- **Animated AMG Logo Projector (C53)**
- **Rapid Heating Front Seats (902)**
- **PAV Winter Package - Includes Heated Steering Wheel (443) & Heated Washer System (875)**
- **MBUX Interior Assistant (77B)**
- **Multicontour Front Seats with Massage (399)**
- **Head-Up Display with AMG-specific Content (463)**

Models



GLE53C4 (167.361)

- MSRP: \$
- Transmission: AMG SPEEDSHIFT TCT 9-speed automatic transmission
- Acceleration 0-60pmg (sec): 4.9
- Engine Configuration: AMG-Enhanced 3.0L I6 Turbo Engine with Hybrid Assist
- ICE Power (hp): 429 hp
- Torque (lb-ft): 413 lb-ft
- Launch Date: TBD



GLE63C4S (167.389)

- MSRP: \$
- Transmission: AMG SPEEDSHIFT TCT 9-speed automatic transmission
- Acceleration 0-60pmg (sec): 3.7
- Engine Configuration: Handcrafted AMG 4.0L V8 Bi-Turbo Engine with Hybrid Assist
- ICE Power (hp) : 603 hp
- Torque (lb-ft): 627 lb-ft
- Launch Date: TBD

Standard Equipment

GLE53C4



Performance & Handling

- **AMG SPEEDSHIFT TCT 9-speed automatic transmission**
- **AMG DYNAMIC SELECT**
- **21" AMG Wheels**
- **AMG-Enhanced 3.0L I6 Turbo engine with Hybrid Assist**
- **AMG Performance 4MATIC+® all-wheel drive**
- **AMG Performance Exhaust System**

Comfort & Convenience

- **Metallic Paint**
- **Augmented Video for Navigation**
- **Burmester® Surround Sound System**
- **KEYLESS-GO®**
- **Power Folding Mirrors, Auto-dimming Driver and Rearview Mirrors, Mirror Logo Projector**
- **Double Sun Visors**
- **Power Front Seats with 4-Way Lumbar Support and Driver Memory**
- **Garage Door Opener**
- **Heated and Ventilated Front Seats**
- **MB Navigation with Live Traffic and Map Updates for 1 year**
- **12.3" Media Display with touchscreen**
- **Apple CarPlay and Android Auto**
- **12.3" fully digital instrument cluster**
- **Touchpad in center console**
- **KEYLESS-START**
- **LED headlamps**
- **Nappa Leather**
- **Heated and Ventilated Front Seats**
- **AMG Drive Unit Buttons**
- **HANDS-FREE-ACCESS**
- **64 Color Ambient Lighting**
- **Privacy Glass**
- **Power Lift gate**
- **2-Zone Climate control**
- **Load Compartment Cover**
- **Active Parking Assist**
- **NFC Wireless Charging**
- **Smartphone Integration**
- **USB-C Ports**
- **MBUX User Interface**
- **AMG Performance Steering wheels with touch controllers**
- **Panorama Power Tilt/Sliding Sunroof**
- **Adaptive Highbeam Assist**

Safety & Security

- **PRE-SAFE®**
- **Vehicle Exit Warning**
- **Active Brake Assist**
- **Surround View System**
- **Adaptive Highbeam Assist**
- **ATTENTION ASSIST®**
- **eCall-Emergency System**
- **GUARD 360 Alarm System**
- **Blind Spot Assist**

Performance & Handling

- AMG SPEEDSHIFT TCT 9-speed automatic transmission
- AMG DYNAMIC SELECT
- AMG ACTIVE RIDE CONTROL based on AMG RIDE CONTROL+
- 22" AMG Wheels with High-Performance Summer Tires
- AMG Electronic Rear-axle Limited-slip Differential
- AMG Performance Exhaust System
- Handcrafted AMG 4.0L V8 biturbo engine with Hybrid Assist
- AMG Performance 4MATIC+® all-wheel drive
- Adaptive Damping Plus
- Active Dynamic Engine Mounts
- AMG High-Performance Braking System

Comfort & Convenience

- KEYLESS-START
- Panorama Power Tilt/Sliding Sunroof
- KEYLESS-GO®
- Touchpad in center console
- HANDS-FREE-ACCESS
- 12.3" fully digital instrument cluster
- Wireless Smartphone Integration
- Wireless Charging
- Active Parking Assist
- Power Front Seats with 4-Way Lumbar Support and Driver Memory
- Garage Door Opener
- Power Lift gate
- Double Sun Visors
- Mirror Package (Power Folding Mirrors, Auto-dimming Driver and Rearview Mirrors, Mirror Logo Projector)
- 64 Color Ambient Lighting
- SiriusXM Radio
- Air Balance Package
- Head-Up Display with AMG-specific Content
- Multicontour Front Seats with Massage
- Heated & Cooled Cup Holders
- Remote Start
- Active LED headlamps with Adaptive Highbeam Assist
- AMG Performance Steering wheels with touch controllers
- MBUX User Interface NTG7
- USB-C Ports
- 12.3" Media Display with touchscreen
- Apple CarPlay and Android Auto
- MB Navigation with Live Traffic and Map Updates for 1 year
- Heated and Ventilated Front Seats
- 2-Zone Climate control
- Load Compartment Cover
- Spare tire
- Privacy Glass
- Roof rails
- Burmester® Surround Sound System
- Metallic Paint
- Animated AMG Logo Projector
- MBUX Interior Assistant
- Rapid Heating for Front Seats

Safety & Security

- Vehicle Exit Warning
- Active Brake Assist
- ATTENTION ASSIST®
- Blind Spot Assist
- PRE-SAFE®
- eCall-Emergency System
- GUARD 360 Alarm System
- Adaptive Highbeam Assist
- Surround View System

Paint

Non-Metallic Paints



149 - Polar White

DELAYED



040 - Black

Metallic Paints



197 - Obsidian Black

DELAYED



922 - Cirrus Silver

DELAYED



989 - Emerald Green



992 - Selenite Grey

DELAYED



842 - Twilight Blue

MANUFATUR Paints

NEW



956 - MANUFATUR Alpine Grey

DELAYED



996 - Cardinal Red Metallic

DELAYED



799 - Diamond White Metallic

| Code | Description | Availability | Price |
|------------------|------------------------|--------------|---------|
| 149 | Polar White | All Models | \$0 |
| 040 (Delayed) | Black | All Models | \$0 |
| 197 | Obsidian Black | All Models | \$0 |
| 922 (Delayed) | Cirrus Silver | All Models | \$0 |
| 989 (Delayed) | Emerald Green | All Models | \$0 |
| 992 | Selenite Grey | All Models | \$0 |
| 842 (Delayed) | Twilight Blue | All Models | \$0 |
| 956 (New) | MANUFATUR Alpine Grey | All Models | \$1,750 |
| 996 (Delayed) | Cardinal Red Metallic | All Models | \$1,750 |
| 799 (Delayed) | Diamond White Metallic | All Models | \$1,750 |

Wheels

LIMITED AVAILABILITY



RWD - 21" AMG Twin 5-Spoke Wheels

21"

R02, 669

AMG Twin 5-Spoke Wheel

275/45 R 21 on 10 J x 21 ET51 (Front) 315/40 R 21 on 11 J x 21 ET47 (Rear)

LIMITED AVAILABILITY



RWE - 21" AMG Twin 5-Spoke Wheels w/ Black Accents

only low AMG Night Package (DC1)

21"

R02, 669

AMG Twin 5-Spoke Wheel, Matte Black

275/45 R 21 on 10 J x 21 ET51 (Front) 315/40 R 21 on 11 J x 21 ET47 (Rear)

NEW



RPG - 22" AMG Multispoke Wheels

22"

R01, 669

AMG Multispoke Wheels

285/40 R 22 tyres on 10 J x 22 ET55 (Front), 325/35 R 22 tyres on 11.5 J x 22 ET53 (Rear)



RXU - 22" AMG Cross-Spoke Forged Wheels

22"

R01, 669

AMG Cross-Spoke Wheel

285/40 R 22 on 10 J x 22 ET55 (Front) 325/35 R 22 on 11 J x 22 ET53 (Rear)



RXV - 22" AMG Cross-Spoke Forged Wheels, Matte Black

only low AMG Night Package (DC1)

22"

R01, 669

AMG Cross-Spoke Wheel, Matte Black

285/40 R 22 on 10 J x 22 ET56 (Front) 325/35 R 22 on 11 J x 22 ET52 (Rear)

| Code | Wheel Size | Description | Wheel Dimensions | Mobility | Availability | MSRP |
|-------------------------------|------------|---|---|----------|--------------|---|
| RWD (Limited Availability) | 21" | AMG Twin 5-Spoke Wheel | 275/45 R 21 on 10 J x 21 ET51 (Front) 315/40 R 21 on 11 J x 21 ET47 (Rear) | R02, 669 | GLE53C4 | |
| RWE (Limited Availability) | 21" | AMG Twin 5-Spoke Wheel, Matte Black only low AMG Night Package (DC1) | 275/45 R 21 on 10 J x 21 ET51 (Front) 315/40 R 21 on 11 J x 21 ET47 (Rear) | R02, 669 | GLE53C4 | \$200 |
| RPG (New) | 22" | AMG Multispoke Wheels | 285/40 R 22 tyres on 10 J x 22 ET55 (Front), 325/35 R 22 tyres on 11.5 J x 22 ET53 (Rear) | R01, 669 | All Models | \$1,350 (GLE53C4) \$0 (GLE63C4S) |
| RXU | 22" | AMG Cross-Spoke Wheel | 285/40 R 22 on 10 J x 22 ET55 (Front) 325/35 R 22 on 11 J x 22 ET53 (Rear) | R01, 669 | All Models | \$2,850 (GLE53C4) \$1,500 (GLE63C4S) |
| RXV | 22" | AMG Cross-Spoke Wheel, Matte Black only low AMG Night Package (DC1) | 285/40 R 22 on 10 J x 22 ET56 (Front) 325/35 R 22 on 11 J x 22 ET52 (Rear) | R01, 669 | All Models | \$3,350 (GLE53C4) \$2,000 (GLE63C4S) |

GLE53C4 Notes: R01: High Performance Tires R02: All-Season Tires 669: Collapsible Spare Tire B51: TIREFIT

GLE63C4S Notes: R01: High Performance Tires R02: All-Season Tires 669: Collapsible Spare Tire B51: TIREFIT

Upholstery

Leather



851 - Black

Requires U09 MB-Tex Dashboard and Door Panels

NEW



855 - Macchiato Biege /Black

Requires U09 MB-Tex Dashboard and Door Panels

NEW



854 - Bahia Brown/ Black

Requires U09 MB-Tex Dashboard and Door Panels



857 - Classic Red / Black

Requires U09 MB-Tex Dashboard and Door Panels

Exclusive Nappa Leather



551 - Black

Includes U38 Nappa Leather Dashboard and Door Panels

NEW



555 - Macchiato Beige/Black

Includes U38 Nappa Leather Dashboard and Door Panels

NEW



574 - Bahia Brown / Black

Includes U38 Nappa Leather Dashboard and Door Panels



557 - Classic Red / Black

Includes U38 Nappa Leather Dashboard and Door Panels



561 - Black with Diamond Stitching

Includes U38 Nappa Leather Dashboard and Door Panels



571 - Black with Grey Accents

Only available on GLE63s -Includes U38 Nappa Leather Dashboard and Door Panels

| <i>Code</i> | <i>Description</i> | <i>Availability</i> | <i>Price</i> |
|--------------|---|---------------------|---------------------------------------|
| 851 | Black Requires U09 MB-Tex Dashboard and Door Panels | GLE53C4 | |
| 855 (New) | Macchiato Biege /Black Requires U09 MB-Tex Dashboard and Door Panels | GLE53C4 | |
| 854 (New) | Bahia Brown/ Black Requires U09 MB-Tex Dashboard and Door Panels | GLE53C4 | |
| 857 | Classic Red / Black Requires U09 MB-Tex Dashboard and Door Panels | GLE53C4 | |
| 551 | Black Includes U38 Nappa Leather Dashboard and Door Panels | All Models | \$1,560 (GLE53C4) \$0 (GLE63C4S) |
| 555 (New) | Macchiato Beige/Black Includes U38 Nappa Leather Dashboard and Door Panels | All Models | \$1,560 (GLE53C4) \$0 (GLE63C4S) |
| 574 (New) | Bahia Brown / Black Includes U38 Nappa Leather Dashboard and Door Panels | All Models | \$1,560 (GLE53C4) \$0 (GLE63C4S) |
| 557 | Classic Red / Black Includes U38 Nappa Leather Dashboard and Door Panels | All Models | \$1,560 (GLE53C4) \$0 (GLE63C4S) |
| 561 | Black with Diamond Stitching Includes U38 Nappa Leather Dashboard and Door Panels | All Models | \$1,810 (GLE53C4) \$250 (GLE63C4S) |
| 571 | Black with Grey Accents Only available on GLE63s -Includes U38 Nappa Leather Dashboard and Door Panels | GLE63C4S | \$0 |

| <i>Code</i> | <i>Upholstery</i> | <i>Seats</i> | <i>Floor Mats</i> | <i>Upper Dash/Lower Dash</i> | <i>Seat Belts</i> | <i>Steering Wheel</i> | <i>Headliner</i> |
|--------------|---|-------------------------|-------------------|------------------------------|-------------------|-----------------------|------------------|
| 851 | Black Requires U09 MB-Tex Dashboard and Door Panels | Black | Black | Black/Black | Black | Black | Black |
| 855 (New) | Macchiato Biege /Black Requires U09 MB-Tex Dashboard and Door Panels | Macchiato Biege /Black | Black | Black/ Macchiato Beige | Macchiato Beige | Black | Black |
| 854 (New) | Bahia Brown/ Black Requires U09 MB-Tex Dashboard and Door Panels | Tartufo Brown/Black | Black | Black/Black | Black | Black | Black |
| 857 | Classic Red / Black Requires U09 MB-Tex Dashboard and Door Panels | Classic Red/Black | Black | Black/Black | Black | Black | Black |
| 551 | Black Includes U38 Nappa Leather Dashboard and Door Panels | Black | Black | Black/Black | Black | Black | Black |
| 555 (New) | Macchiato Beige/Black Includes U38 Nappa Leather Dashboard and Door Panels | Macchiato Beige / Black | Black | Black/Macchiato Beige | Macchiato Beige | Black | Black |
| 574 (New) | Bahia Brown / Black Includes U38 Nappa Leather Dashboard and Door Panels | Bahia Brown /Black | Black | Black/Black | Black | Black | Black |
| 557 | Classic Red / Black Includes U38 Nappa Leather Dashboard and Door Panels | Classic Red/Black | Black | Black/Black | Black | Black | Black |
| 561 | Black with Diamond Stitching Includes U38 Nappa Leather Dashboard and Door Panels | Black | Black | Black/Black | Black | Black | Black |
| 571 | Black with Grey Accents Only available on GLE63s -Includes U38 Nappa Leather Dashboard and Door Panels | Black with Grey Accents | Black | Black/ Black | Magma Grey | Black | Black |

Trims



H46 - Brushed Aluminum



H22 - Natural Grain Brown Walnut



04H - Brown Linden Wood



H31 - Natural Grain Grey Oak



**H11 - MANUFAKTUR Black Piano
Lacquer Flowing Lines**



H86 - AMG Carbon Fiber

| <i>Code</i> | <i>Description</i> | <i>Availability</i> | <i>Price</i> |
|-------------|--|---------------------|-------------------------------------|
| H46 | Brushed Aluminum | All Models | \$0 |
| H22 | Natural Grain Brown Walnut | All Models | \$160 |
| 04H | Brown Linden Wood | All Models | \$160 (GLE53C4) \$0 (GLE63C4S) |
| H31 | Natural Grain Grey Oak | All Models | \$160 |
| H11 | MANUFAKTUR Black Piano Lacquer Flowing Lines | All Models | \$850 (GLE53C4) \$690 (GLE63C4S) |
| H86 | AMG Carbon Fiber | All Models | \$1,750 |

Packages

| <i>Code</i> | <i>Packages</i> | <i>Availability</i> | <i>MSRP</i> |
|--------------|--|---------------------|-------------|
| DX2 (New) | Pinnacle Trim <ul style="list-style-type: none"> ▪ P21 - AIR-BALANCE Package with Fragrance ▪ C53 - AMG Logo Projectors (Front Doors) ▪ 399 - Multicontour Front Seats w/ Massage Function ▪ 463 - Head-Up Display ▪ 902 - Rapid Heating Front Seats ▪ 311 - Temperature Controlled Cupholders ▪ 77B - MBUX Interior Assistant | GLE53C4 | \$3,450 |
| DA2PKG | Driver Assistance Package <ul style="list-style-type: none"> ▪ P20 - Driver Assistance Package PLUS <ul style="list-style-type: none"> ○ Active Lane Keeping Assist ○ 233 - Active Distance Assist DISTRONIC® ○ Active Blind Spot Assist ○ Active Stop-and-Go Assist ○ Active Lane Change Assist ○ 266 - Active Steering Assist ○ Active Emergency Stop Assist ○ Route-Based Speed Adaptation ○ Active Brake Assist with Cross-Traffic Function ○ 546 - Active Speed Limit Assist ○ Evasive Steering Assist ○ 253 - PRE-SAFE® PLUS Rear End Collision Protection ○ 513 - Traffic Sign Assist | All Models | \$1,950 |
| DC1PKG | AMG Night Package <ul style="list-style-type: none"> ▪ P60 - Night Package Code <ul style="list-style-type: none"> ○ Includes Trim on A-wing, Trim on rear apron, Tailpipes, Front Splitter, Window Frames in High-Gloss Black ○ WCO1 - Wheel Choice Of: <ul style="list-style-type: none"> ○ RXV - 22" AMG Cross-Spoke, Matte Black ○ RWE - 21" AMG Twin 5-Spoke, Matte Black | All Models | \$750 |
| DC5PKG | Acoustic Comfort Package <ul style="list-style-type: none"> ▪ PAF - Acoustic Comfort Code <ul style="list-style-type: none"> ○ Increased Cabin Insulation, Windshield with Infrared-Reflecting film, Side Windows with Acoustic ○ Infrared Absorbing Film | All Models | \$1,100 |
| DB0PKG | Warmth and Comfort Package \$575 with Pinnacle Trim (DX2 which is std with 63s) <ul style="list-style-type: none"> ▪ P68 - Warmth and Comfort Package code <ul style="list-style-type: none"> ○ 906 - Heated Armrest ○ 902 - Rapid Heating Functionality for Front Seats | All Models | \$1,050 |

Options

Factory Options

| <i>Code</i> | <i>Options</i> | <i>Availability</i> | <i>MSRP</i> |
|------------------|---|---------------------|--------------------------------------|
| PAV | Winter Package Includes Heated Steering Wheel (443) & Heated Washer System (875). When selected with (874) MAGIC VISION CONTROL on the GLE53 price adjusted to \$250 | GLE53C4 | \$450 |
| U29 | AMG High-Performance Braking System (n/a with RZV or RZW wheels) | GLE53C4 | \$2,500 |
| L6J | AMG Performance Steering Wheel in Nappa Leather | All Models | \$0 |
| L6K | AMG Performance Steering Wheel in Nappa Leather/Microfiber | All Models | \$500 (GLE53C4) \$0 (GLE63C4S) |
| L6H | AMG Performance Steering Wheel in Carbon Fiber/ Microfiber (only available with H31 and H86 trims) | All Models | \$400 |
| 61U | Black Microfiber Headliner | GLE53C4 | \$1,600 |
| U09 | MB-Tex Dashboard and Door Panels | GLE53C4 | \$350 |
| 293 | Rear Side Airbags | All Models | \$700 |
| 581 | 4-Zone Climate Control | All Models | \$860 |
| 872 | Heated Rear Seats | All Models | \$500 |
| U17 | Omission of Color Seatbelts | All Models | \$0 |
| 883 | Soft Close Doors | All Models | \$550 |
| 846 | illuminated running boards Not available as accessory retrofit | All Models | \$650 |
| 256 | AMG Track Pace | GLE53C4 | \$250 |
| 21U | Dashcam | All Models | \$200 |
| 6U6 (Delayed) | AMG fuel cap Not available as accessory retrofit | All Models | \$110 |
| 550 | Trailer Hitch Trailer Hitch Includes Increased Towing Capacity (557) Not available as accessory retrofit | All Models | \$600 |
| 465 | AMG ACTIVE RIDE CONTROL | GLE53C4 | \$2,800 |
| Y05 | Red Seatbelts (only avail w 551,561,851 upholstery) | All Models | \$0 |
| B07 | AMG High-Performance Carbon Ceramic Braking System | GLE63C4S | \$5,450 |
| Y04 | Silver Seatbelts | GLE63C4S | \$0 |
| B14 | Carbon Fiber Engine Cover | GLE63C4S | \$1,500 |

VPC Installed Options

| <i>Code</i> | <i>Options</i> | <i>Availability</i> | <i>MSRP</i> |
|-------------|---|---------------------|-------------|
| D03 | Illuminated Star (n/a with DA2 Drivers Assistance Package) | All Models | \$535 |
| D43 | All Season Floor Mats, Black Rubber 4-Pack | All Models | \$170 |
| D07 | Wheel Locking Bolts | All Models | \$160 |
| D08 | Chrome Door Handle Inserts | All Models | \$100 |
| D49 | First Aid Kit | All Models | \$35 |

Specifications

GLE53C4



Chassis

Drivetrain

| | |
|---------------------|---|
| Transmission | AMG SPEEDSHIFT TCT 9-speed automatic transmission |
| Drive Configuration | All-wheel drive |

Engine

| | |
|---------------------------|--|
| Engine Configuration | AMG-Enhanced 3.0L I6 Turbo Engine with Hybrid Assist |
| ICE Power (hp) | 429 hp |
| Torque (lb-ft) | 413 lb-ft |
| Fuel Requirement (Octane) | 91 |
| Fuel Tank Size (gallons) | 22.5 |
| Displacement (cc) | 2,999 |

Performance

| | |
|---|--------------|
| Acceleration 0-60pmg (sec) | 4.9 |
| Top Speed (mph) | 155(icw R01) |
| Transmission Speeds | 9 |
| Electric Motor (hp), System Output (hp) | 21 |
| Electric Motor (lb-ft), System Torque (lb-ft) | 184 |
| Maximum Load (lbs) | TBD |
| Towing Capacity (lbs) | 7,700 |

Fuel Economy

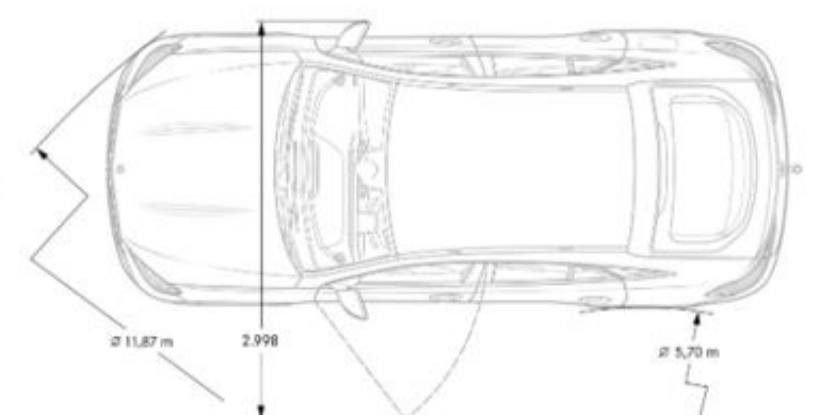
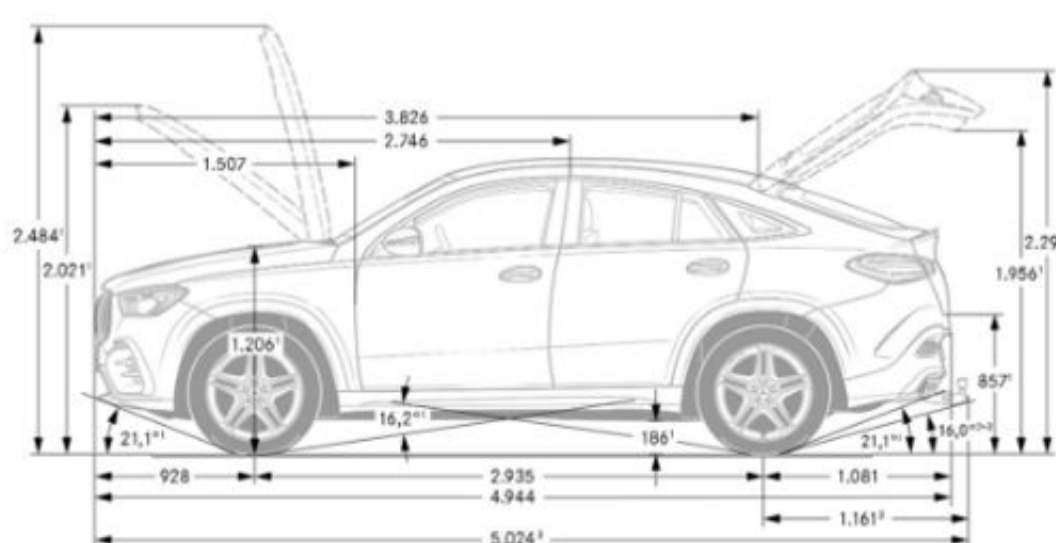
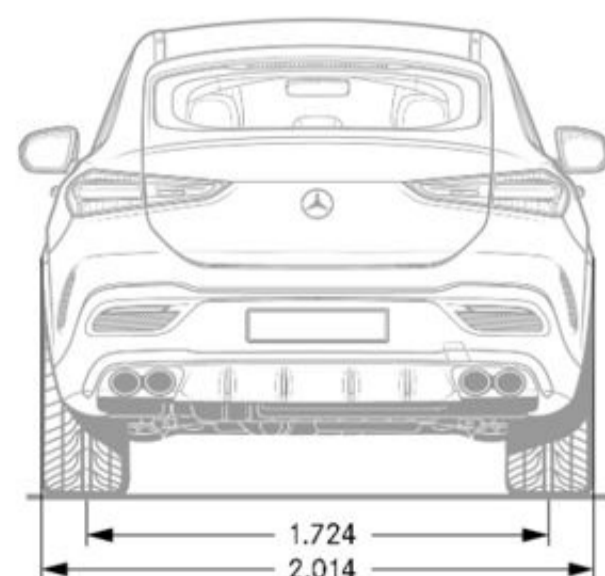
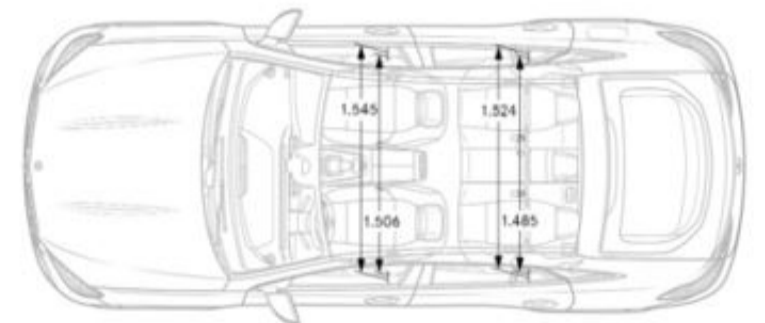
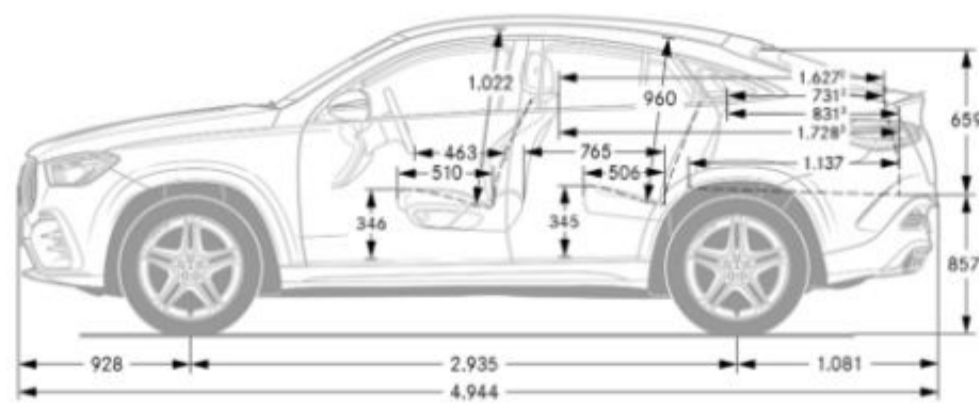
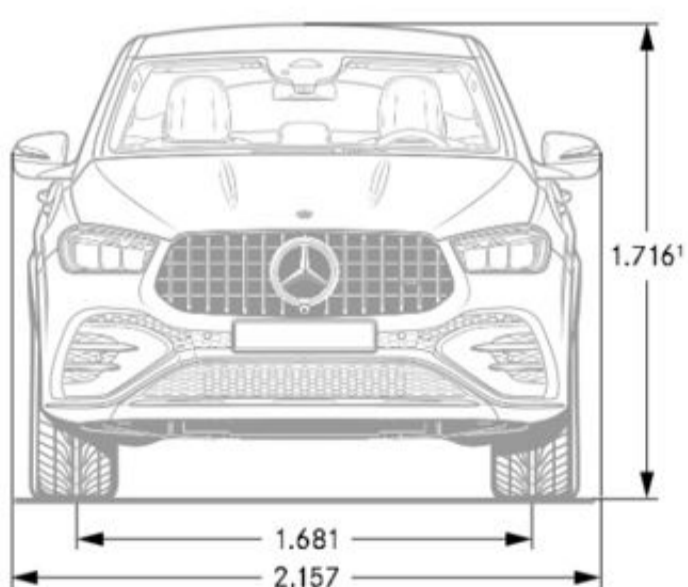
| | |
|------------------------|-----|
| City Fuel Economy | TBD |
| Highway Fuel Economy | TBD |
| Emission Certification | TBD |

Exterior Dimensions

| | |
|---|-------------|
| Vehicle Length (in.) | 195.3 |
| Vehicle Height (in.) | 67.7 |
| Vehicle Width w/ exterior mirrors (in.) | 84.9 |
| Wheelbase (in.) | 115.6 |
| Curb Weight (lbs) | 5,258 |
| Track Width Front/Rear (in.) | 66.18/67.71 |

Interior Dimensions

| | |
|----------------|-----|
| Cargo Capacity | TBA |
| Trunk Size | TBA |



Chassis

Drivetrain

| | |
|----------------------------|---|
| Transmission | AMG SPEEDSHIFT TCT 9-speed automatic transmission |
| Drive Configuration | All-wheel drive |

Engine

| | |
|----------------------------------|--|
| Engine Configuration | Handcrafted AMG 4.0L V8 Bi-Turbo Engine with Hybrid Assist |
| ICE Power (hp) | 603 hp |
| Torque (lb-ft) | 627 lb-ft |
| Fuel Requirement (Octane) | 91 |
| Fuel Tank Size (gallons) | 22.5 |
| Displacement (cc) | 3,982 |

Performance

| | |
|--|-------|
| Acceleration 0-60pmg (sec) | 3.7 |
| Top Speed (mph) | 174 |
| Transmission Speeds | 9 |
| Electric Motor (hp), System Output (hp) | 21 |
| Electric Motor (lb-ft), System Torque (lb-ft) | 184 |
| Maximum Load (lbs) | TBD |
| Towing Capacity (lbs) | 7,700 |

Fuel Economy

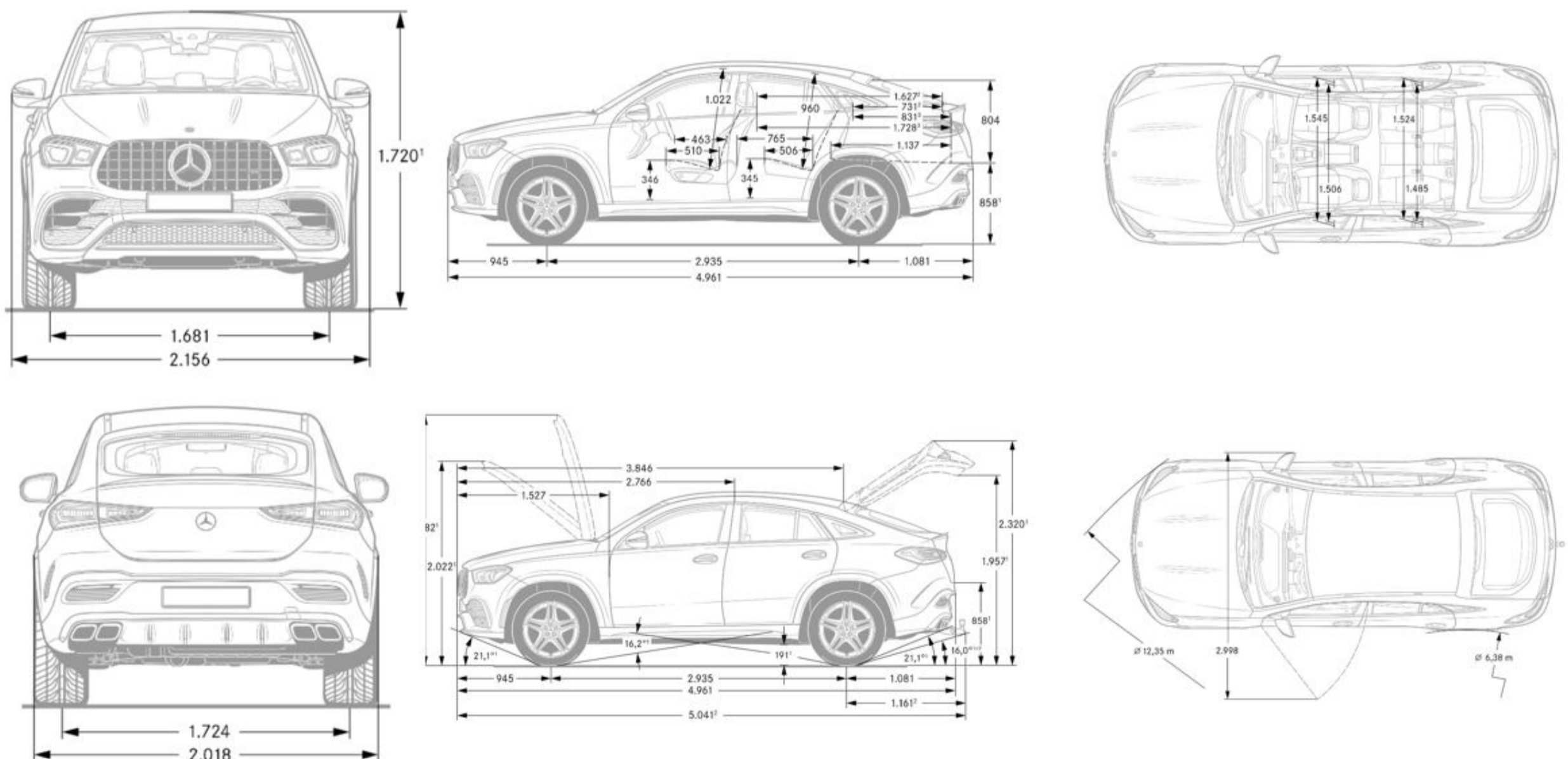
| | |
|-------------------------------|-----|
| City Fuel Economy | TBD |
| Highway Fuel Economy | TBD |
| Emission Certification | TBD |

Exterior Dimensions

| | |
|--|-------------|
| Vehicle Length (in.) | 195.3 |
| Vehicle Height (in.) | 67.7 |
| Vehicle Width w/ exterior mirrors (in.) | 84.9 |
| Wheelbase (in.) | 115.5 |
| Curb Weight (lbs) | 5,578 |
| Track Width Front/Rear (in.) | 66.65/67.72 |

Interior Dimensions

| | |
|-----------------------|-----|
| Cargo Capacity | TBA |
| Trunk Size | TBA |



Options In Detail

AMG Performance Steering Wheels



AMG Performance Steering Wheel in Black Nappa Leather (L6J)

Standard on GLE53C4

- Sporty 3-spoke design with flattened bottom section and perforated grip area
- Finished in black nappa leather
- with 12-o'clock marking and topstitching
- Horizontal twin spokes in high-gloss black, vertical twin spokes in silver chrome with "AMG" lettering
- Shift paddles allow manual gear changes and support a sporty driving style



AMG Performance Steering Wheel in Nappa Leather / Microfiber (L6K)

Standard on GLE63

- Sporty 3-spoke design with flattened bottom section
- Combined version in nappa leather with microfibre in grip area
- with 12-o'clock marking and topstitching
- Horizontal twin spokes in high-gloss black, vertical twin spokes in silver chrome with "AMG" lettering
- Shift paddles allow manual gear changes and support a sporty driving style



AMG Performance Steering Wheel in Carbon Fiber / Microfiber (L6H)

only ICW one of :H31 or H86 Trims

- Sporty steering wheel with 3-twin-spoke design and flattened bottom section
- Combined version in high-gloss carbon fiber design and black microfibre in the grip area
- Horizontal twin spokes in high-gloss black, vertical twin spokes in silver chrome with "AMG" lettering
- Steering wheel gearshift paddles: allow manual gear changes and support a sporty driving style

Burmester® Surround Sound System (810)

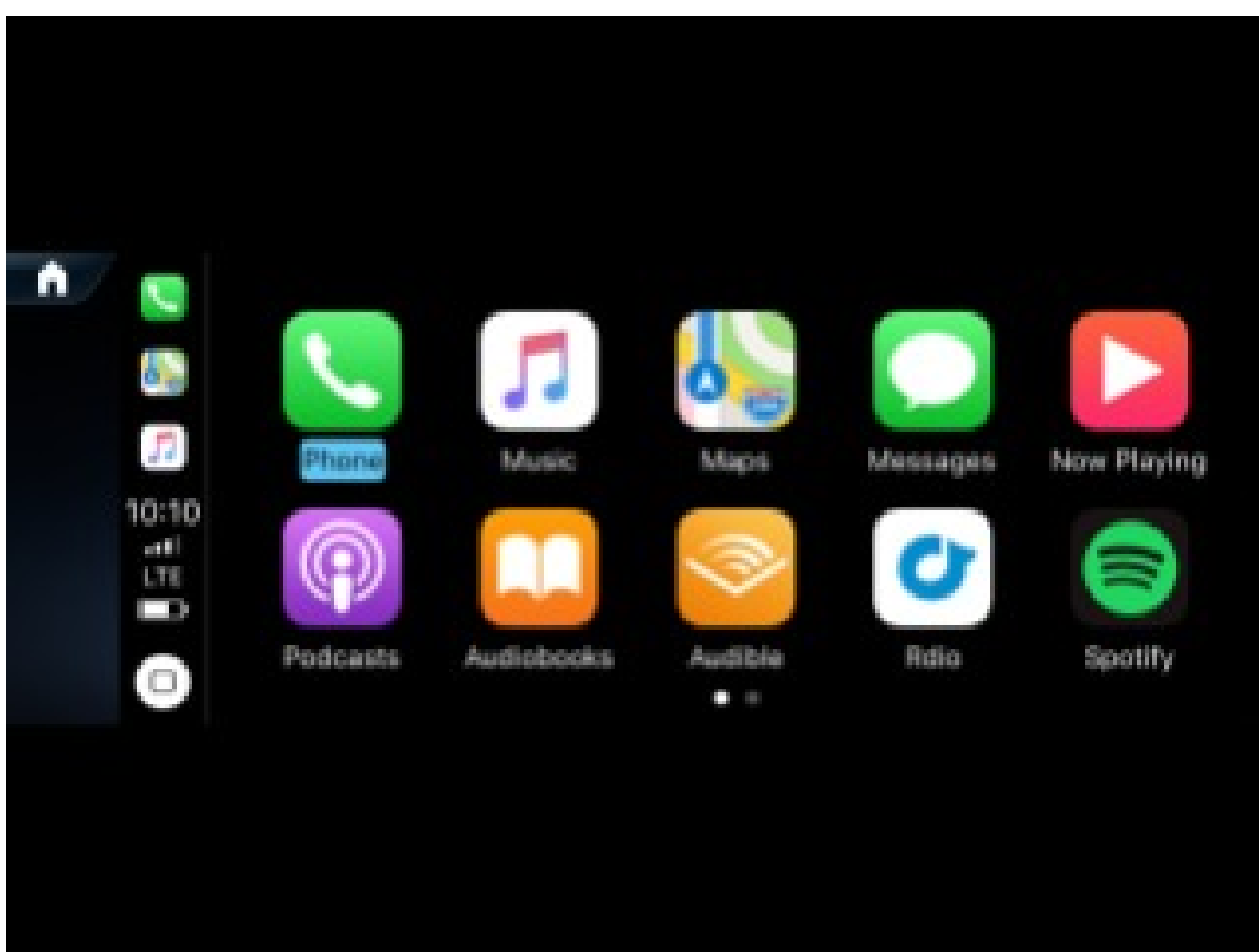


Burmester® Surround Sound System (810) w/ Dolby Atmos®, Music Streaming & Sound Personalization

Standard on GLE Coupe 53 & 63

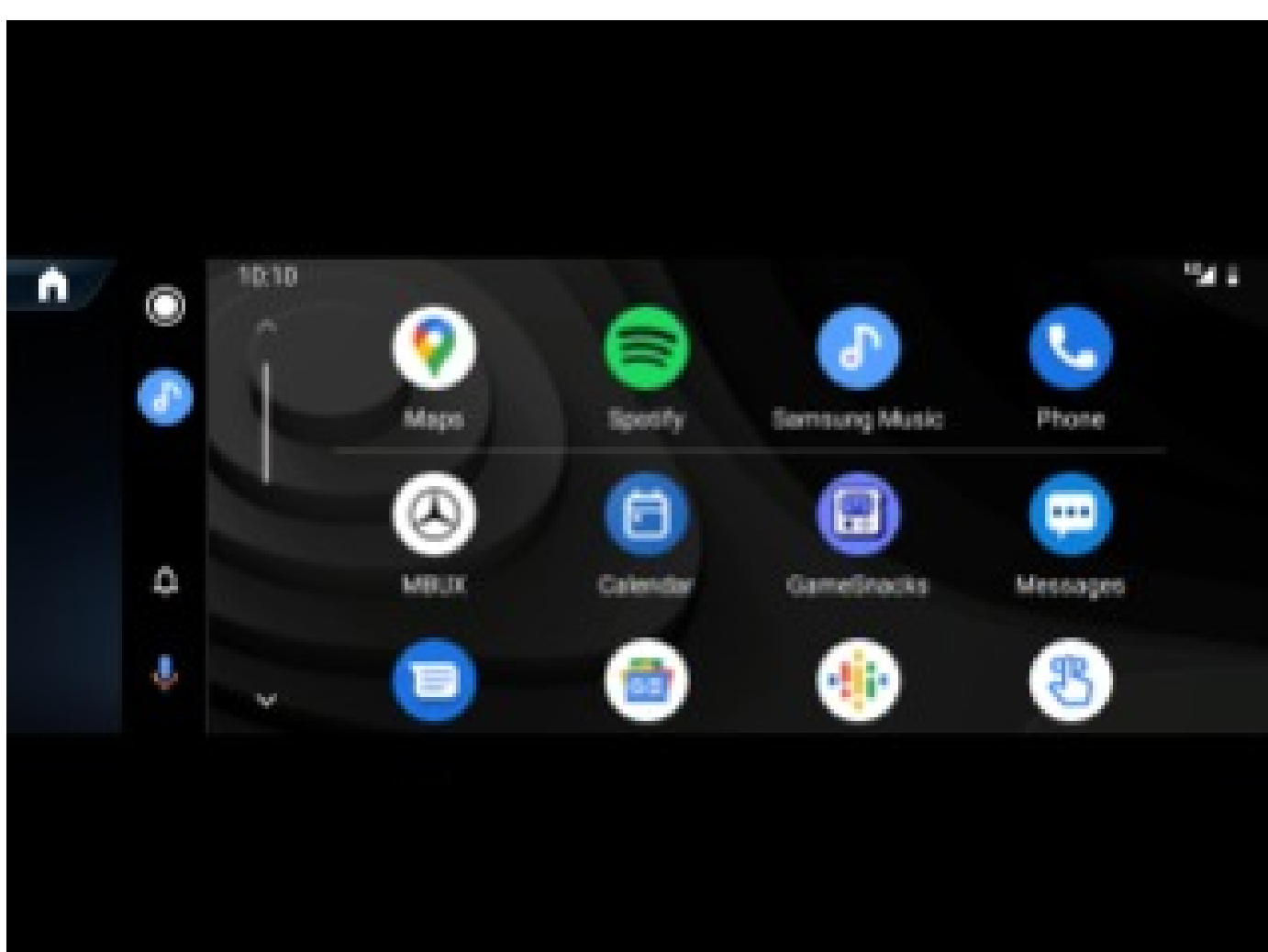
- 13 high-performance speakers precisely configured for the vehicle interior to ensure well-balanced and very dynamic music reproduction
- 9-channel DSP amplifier with a total output of 590 watts (7 x 50 W and 2 x 120 W) for maximum sound quality with very high volume reserves
- Frontbass® technology with woofers integrated into the body-in-white
- Sound personalisation (32U)
- 2 sound presets: "Pure" as well as "Surround" to generate a virtual all-round sound, including multi-channel format support for authentic surround sound with Dolby Atmos®
- Sound optimisation for the front and rear seats
- Pre-installation for Online Music Streaming (22U)

Wireless Smartphone Integration



Standard

- Smartphone Integration connects the mobile phone with the multimedia system wirelessly via Apple CarPlay™ or Android Auto™. This gives you convenient access to the most important apps on your smartphone.



Gallery