

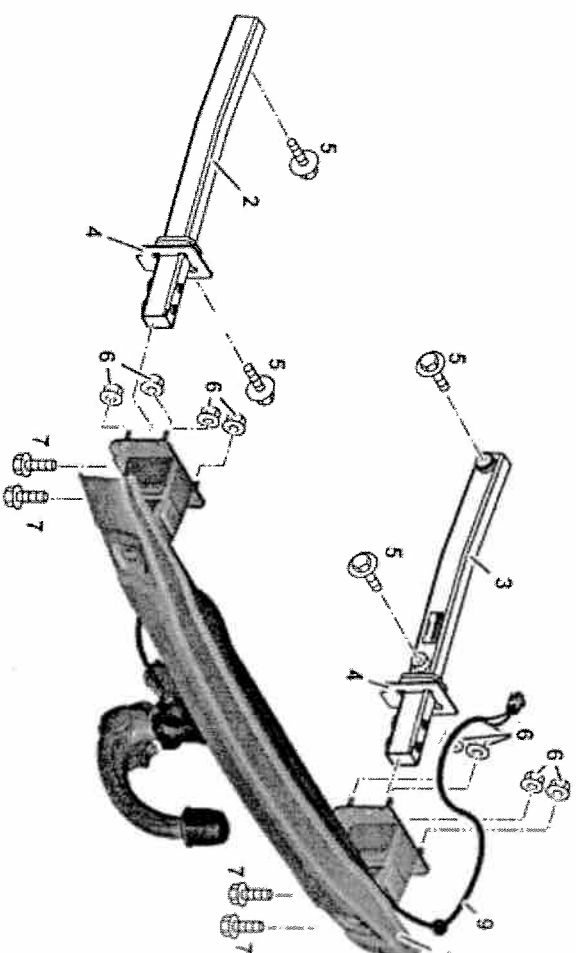
AN31.10-P-8080CY

Retrofit trailer coupling

5.12.08

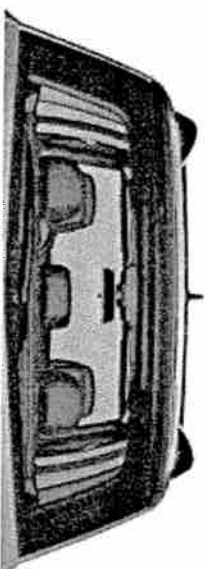
MODEL 204.9## 1# except CODE (498) Japan version

- 1 Trailer coupling crossmember
- 2 Longitudinal member reinforcement, left
- 3 Longitudinal member reinforcement, right
- 4 Gasket
- 5 Bolts with washers M10x25
- 6 M10 Nuts
- 7 Bolt M12x1.5x35
- 9 Trailer coupling wiring harness



P31.10-3197-06

8 Crossmember



		<ul style="list-style-type: none"> ● code (518) Media interface ● code (551) Antitheft alarm system (ATA) ● code (810) Sound system ● code (873) Left and right front seat heaters ● code (890) EASY PACK liftgate 	
3	Remove rear bumper		AR88.20-P-2200CY
4	Remove right cover in cargo area		AR68.30-P-1180CY
5	Remove fan unit	Vehicles without code (430) Offroad package or without engine 642	AR20.40-P-5050CW
		[i] Replace the fan unit with one with a higher output. If it is not retrofitted, warranty and goodwill entitlement will be rendered invalid.	
6	Remove rubber exhaust mounts from rear mufflers		
7	Remove crossmember (8)	[i] Crossmember (8) is no longer required.	
XX	Install		
8	Prepare body for installation of trailer hitch wiring harness (9)	Cordless drill/driver gotis://G_58.0_01.1	AN31.11-P-8080-09CY
		Hotspot handheld radiant heater with tripod gotis://L_98.2_19.0	
		EP primer filler (Spray Max)	BR00.45-Z-1051-07A
9	Retrofit detachable mechanical body components		AN31.11-P-8080-05CY
		[Hm]	BA31.11-P-1001-01J
		[Hm]	BA31.11-P-1002-01J
		[Hm]	BA31.11-P-1003-01J
10	Retrofit trailer hitch wiring harness (9)		AN31.19-P-8100-05CY

NO

11	Retrofit trailer hitch control unit			AN31.19-P-8080-05CY
12	Retrofit bumper cutout			AN31.11-P-8080-08CY
13	Install remaining parts	i Steps 6 to 2.		
14	Connect STAR DIAGNOSIS			
AD	Connect STAR DIAGNOSIS and read out fault memory			AD00.00-P-2000-04A
15	Enter special equipment in the vehicle data card and in the vehicle's online data card	i Enter code (550) Trailer hitch. ↓		
		Initial startup of retrofits and modifications		AN00.01-P-1001-01CW
16	Perform retrofit variant coding	i Listed control units must be SCN coded using the Diagnosis Assistance System: - Central gateway (CGW) and depending on the installed trailer hitch variant the trailer connection unit (AAG) has to be manually coded. See Trailer connection unit control unit (AAG) selection		
17	Close STAR DIAGNOSIS			
AD	Connect STAR DIAGNOSIS and read out fault memory			AD00.00-P-2000-04A
18	Perform function check of light signals at the trailer hitch socket.			AN31.19-P-8100-06CW

Hm Trailer coupling mechanical system

Number	Designation	Model
		204
BA31.11-P-1001-01J	Bolt, trailer coupling to longitudinal member reinforcement	Nm 110
BA31.11-P-1002-01J	Nut, trailer coupling at rear center panel	Nm 65
BA31.11-P-1003-01J	Bolt, side member reinforcement to frame side	Nm 65

member				
--------	--	--	--	--

Repair materials

Number	Designation	Order number
BR00.45-Z-1051-07A	EP primer filler (Spray Max)	Standex GmbH Christbusch 45 42285 Wuppertal Germany Tel. +49 202 2530-0 Fax. +49 202 2530-2816 www.standex.de

Parts ordering notes

Part no.	Designation	Quantity
DG 99 (see EPC)	Trailer hitch package contents	1