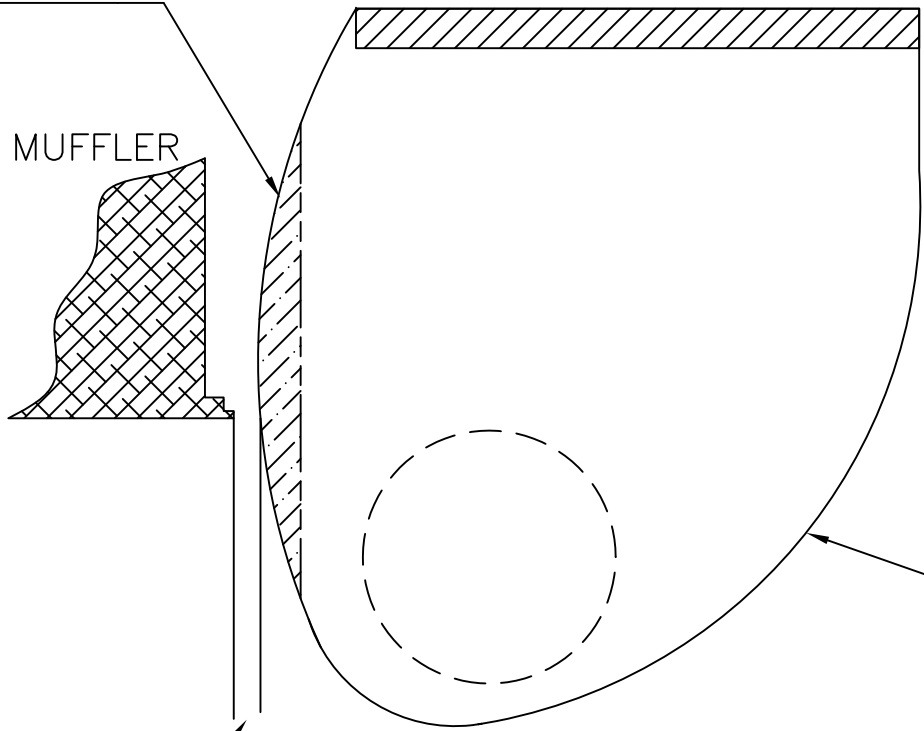


CUT OFF $\frac{1}{4}$ "
FOR CLEARANCE

MUFFLER



DRIVER SIDE PLATE

UNMODIFIED
 $\frac{1}{4}$ " WHEN COLD
0" WHEN HOT

FRONT MUFFLER

DRIVER SIDE EXPANDS BY $\frac{1}{4}$ "
OR MORE

DRIVER SIDE REAR
MUFFLER

BALL CONNECTION

